



US00D911834S

(12) **United States Design Patent** (10) **Patent No.:** **US D911,834 S**
Tidwell et al. (45) **Date of Patent:** **** Mar. 2, 2021**

(54) **CONTAINER**
(71) Applicant: **PWS PACKAGING SERVICES, INC.**, La Jolla, CA (US)
(72) Inventors: **Justin Tidwell**, Brea, CA (US); **William Tidwell**, Brea, CA (US)
(**) Term: **15 Years**
(21) Appl. No.: **29/748,610**
(22) Filed: **Aug. 31, 2020**

D515,942 S * 2/2006 Hamblin D24/230
D548,072 S * 8/2007 Nixon D9/432
D591,593 S 5/2009 Stannard et al.
7,708,142 B2 * 5/2010 Ehrlund B65D 5/38
206/528
D633,268 S * 2/2011 Bottita D34/6
7,967,144 B2 * 6/2011 Sack B65D 83/0463
206/538
D640,920 S * 7/2011 Giraud D9/414
D661,016 S * 5/2012 Borges D27/189
D674,691 S * 1/2013 Martineck D9/432

(Continued)

Primary Examiner — Rhea Shields
(74) *Attorney, Agent, or Firm* — Buche & Associates, P.C.; John K. Buche; Bryce A. Johnson

Related U.S. Application Data

(60) Continuation-in-part of application No. 29/728,907, filed on Mar. 23, 2020, now Pat. No. Des. 897,197, which is a division of application No. 16/826,605, filed on Mar. 23, 2020.

(51) **LOC (13) Cl.** **09-03**
(52) **U.S. Cl.**
USPC **D9/418**

(58) **Field of Classification Search**
USPC D9/414–420, 433, 434, 624, 432, 430, D9/753; D24/131, 230; D15/138; D14/376; D6/707; D27/189; D34/6
CPC .. B65D 5/106; B65D 50/046; B65D 83/0463; B65D 5/38; B65D 11/12; A24F 27/00; A61J 7/0084
See application file for complete search history.

(56) **References Cited**

U.S. PATENT DOCUMENTS

D134,249 S 9/1942 Button
D178,074 S 6/1956 Lemieux
D180,339 S 5/1957 Pavelle
4,561,544 A * 12/1985 Reeve B65D 11/12
206/1.5
D353,091 S 12/1994 Mumford
D382,201 S * 8/1997 Brondyke D9/753
D515,941 S 2/2006 Hamblin et al.

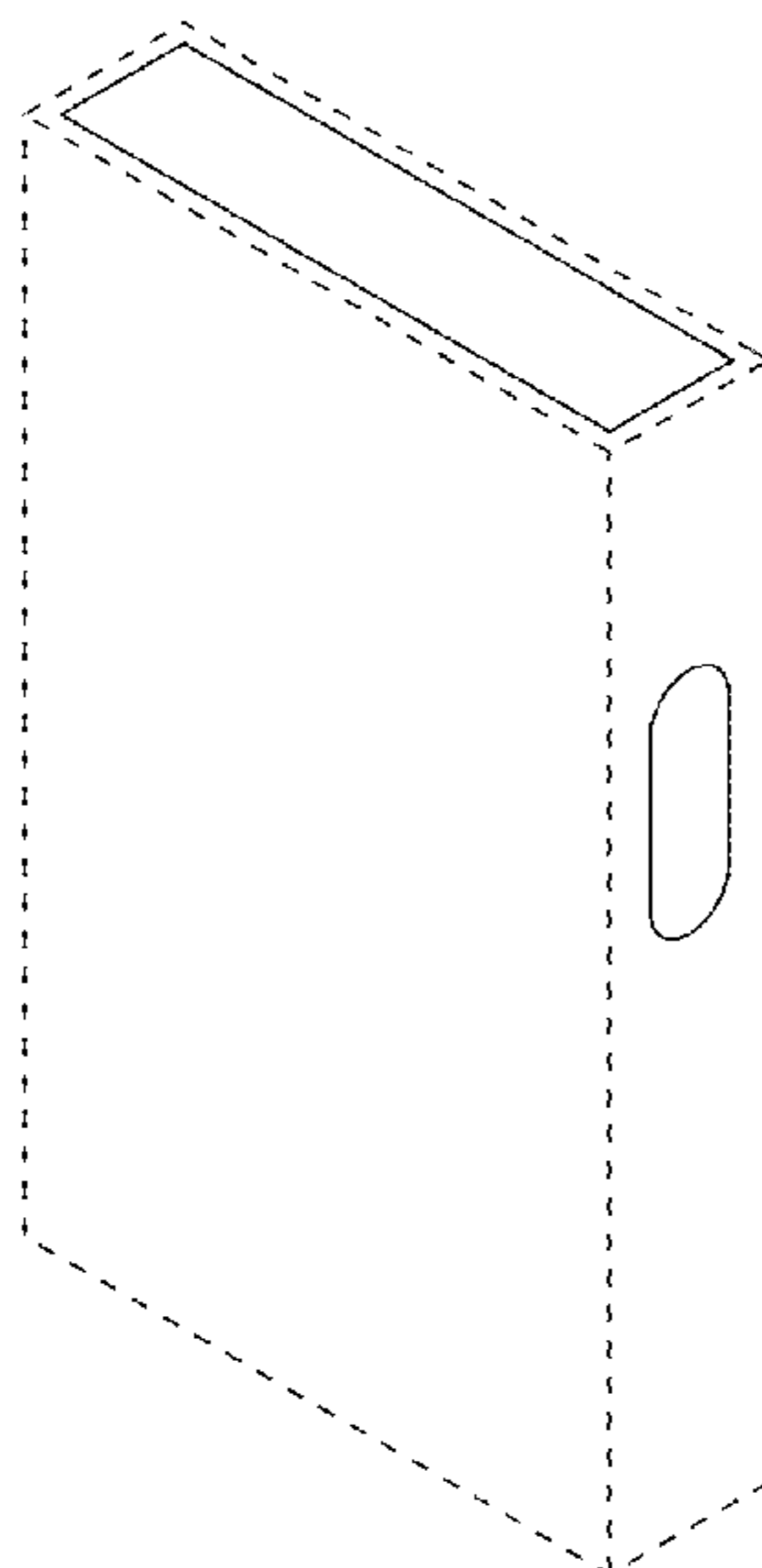
(57) **CLAIM**

We claim the ornamental design for a “container,” as shown and described.

DESCRIPTION

FIG. 1 is a perspective view of a container in a closed configuration;
FIG. 2 is a front view of the container of FIG. 1;
FIG. 3 is a back view of the container of FIG. 1;
FIG. 4 is a left side view of the container of FIG. 1;
FIG. 5 is a right side view of the container of FIG. 1;
FIG. 6 is a top view of the container of FIG. 1;
FIG. 7 is a bottom view of the container of FIG. 1;
FIG. 8 is a perspective view of the container of FIG. 1 in a closed configuration;
FIG. 9 is a perspective view of the container of FIG. 1 in an open configuration;
FIG. 10 is a front view of the container of FIG. 1 in an open configuration; and,
FIG. 11 is a perspective view of the container of FIG. 1 in an open configuration.
Broken lines depict portions of the container and form no part of the claimed design.

1 Claim, 8 Drawing Sheets



(56)

References Cited

U.S. PATENT DOCUMENTS

D678,052	S	3/2013	Bakker et al.	
D698,640	S	2/2014	Buchanan et al.	
D706,129	S *	6/2014	Boraczek	D9/418
D708,069	S *	7/2014	Park	D9/624
D712,251	S *	9/2014	Scott	D9/434
D731,323	S	6/2015	O'Neill	
D760,072	S *	6/2016	Lutz	D9/416
D778,149	S *	2/2017	Frick	D9/416
D778,652	S *	2/2017	Siebert	D6/707.15
D786,670	S *	5/2017	Lin	D9/432
D796,562	S *	9/2017	Iu	D15/138
D798,704	S *	10/2017	Hainaut	D9/418
D798,708	S *	10/2017	Chambers	D9/432
D800,304	S *	10/2017	Tamura	D24/131
D811,005	S *	2/2018	Fath	D27/189
D814,925	S *	4/2018	Davidson	D9/430
D831,480	S *	10/2018	Arazi	D9/433
D853,234	S *	7/2019	Aziz	D9/432
D855,452	S	8/2019	Palacios et al.	
D863,056	S *	10/2019	Luna	D9/432
D867,129	S *	11/2019	Chambers	D9/432
D878,197	S *	3/2020	Griffin	D9/432
RE47,979	E	5/2020	O'Neill	
D887,409	S *	6/2020	Chu	D14/376
D896,630	S *	9/2020	Gomez	D9/418
D897,197	S *	9/2020	Tidwell	D9/418
D899,247	S *	10/2020	Kilduff	D9/432
2004/0099565	A1 *	5/2004	Dehlin	B65D 50/046
				206/536
2009/0152134	A1 *	6/2009	Katsis	A24F 27/00
				206/96
2019/0201285	A1 *	7/2019	Warden	A61J 7/0084
2019/0256242	A1 *	8/2019	Tidwell	B65D 5/106

* cited by examiner

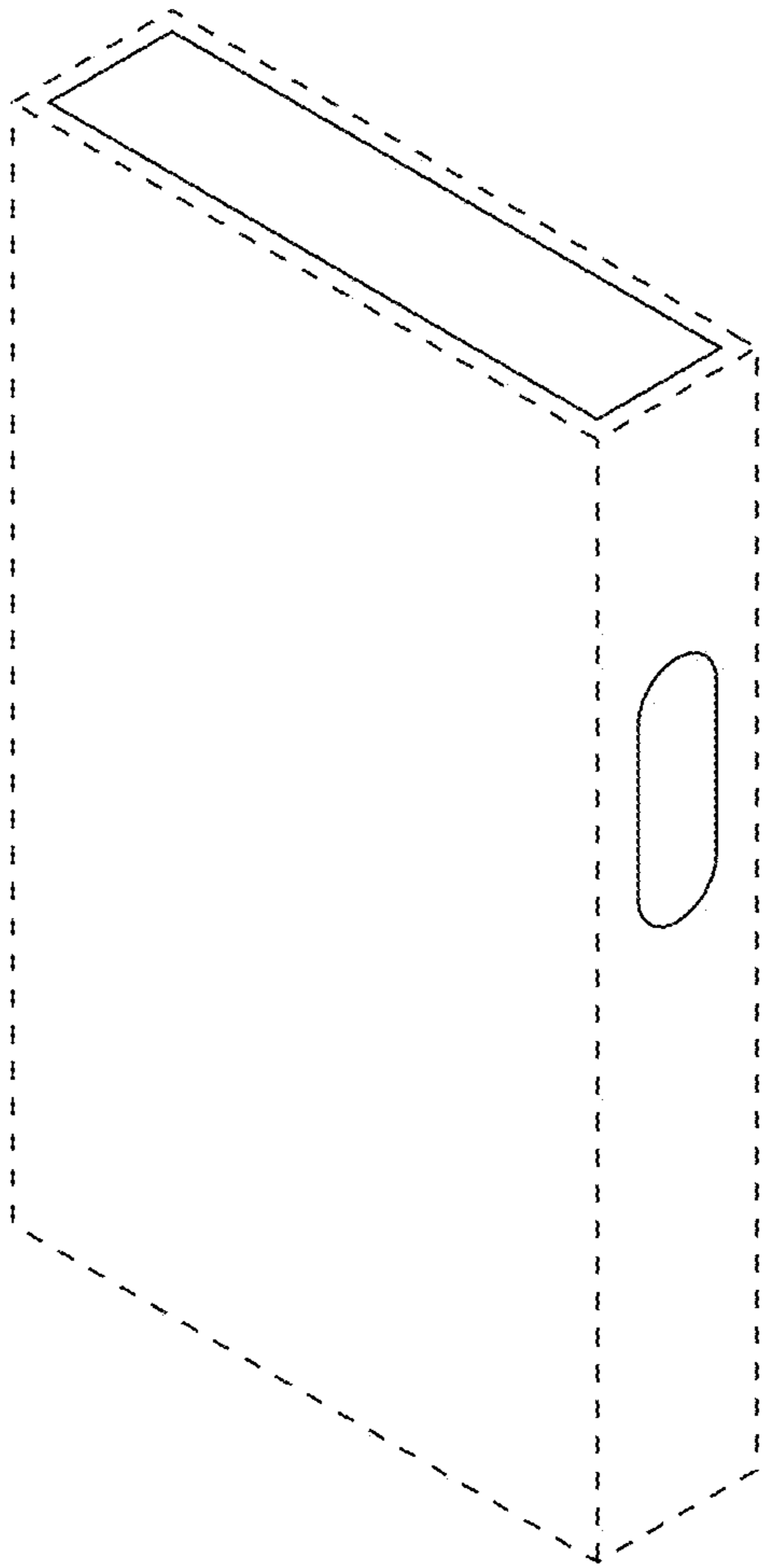


FIG. 1

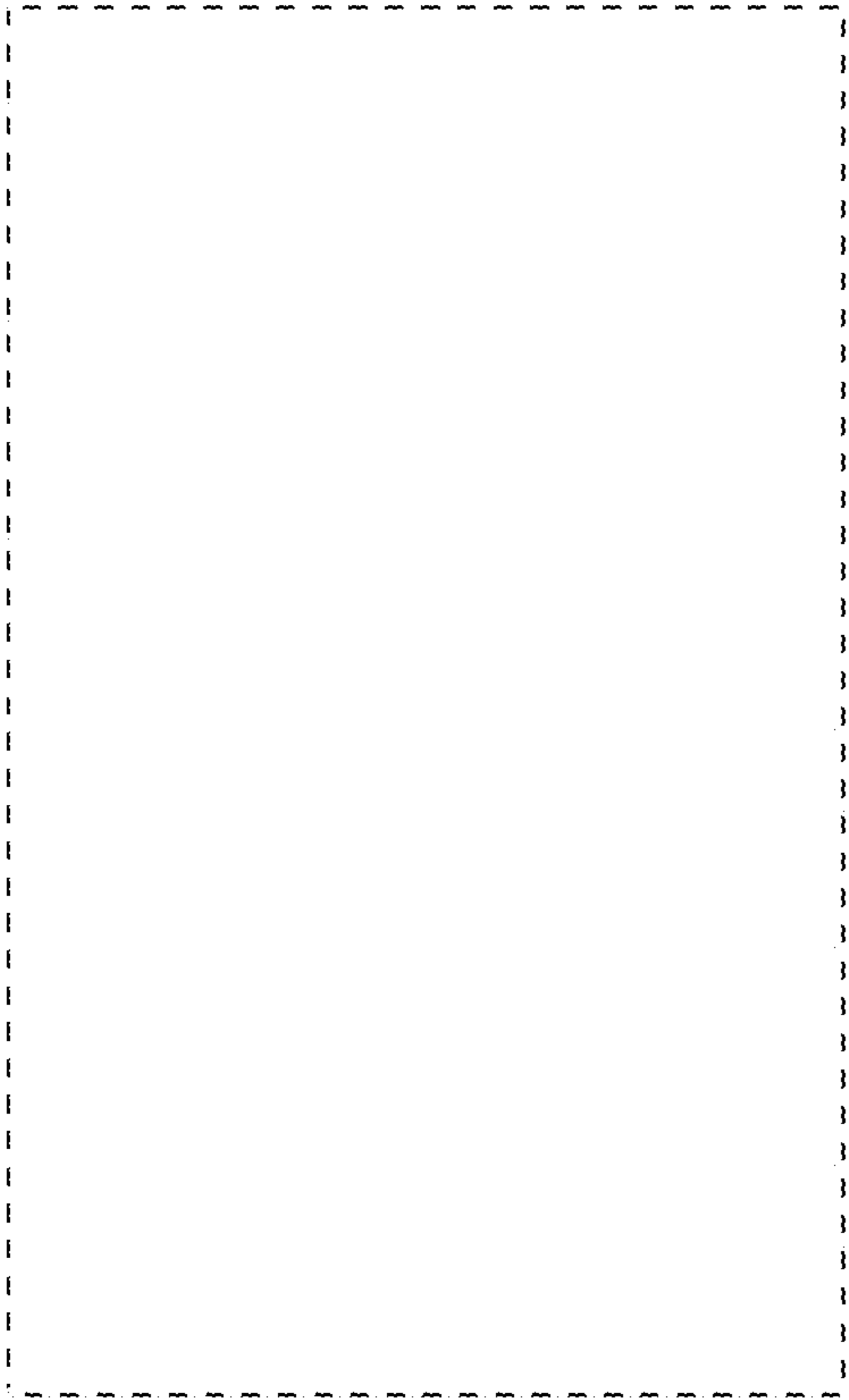


FIG. 2

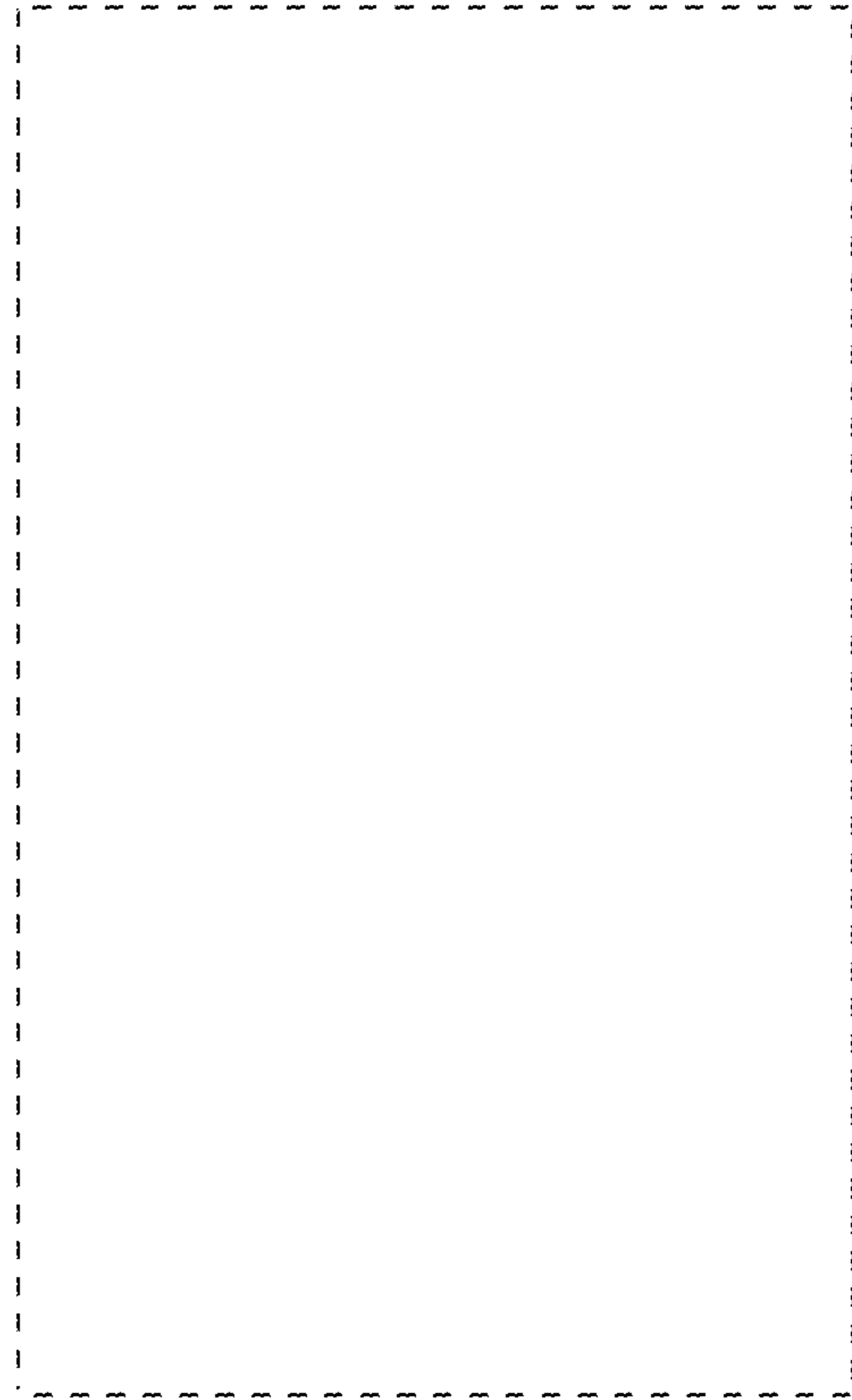


FIG. 3

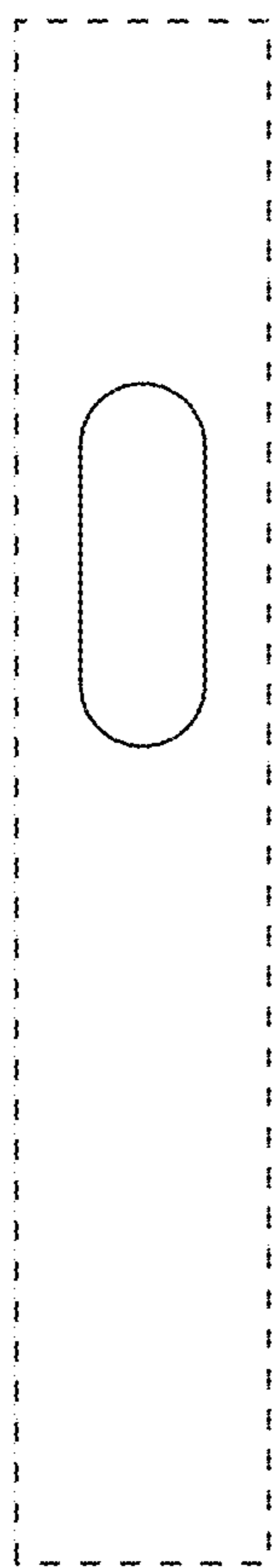


FIG. 4

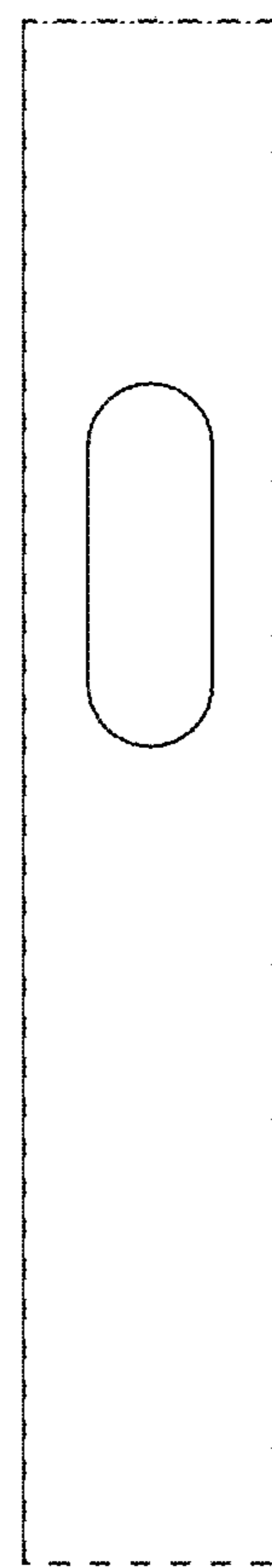


FIG. 5



FIG. 6

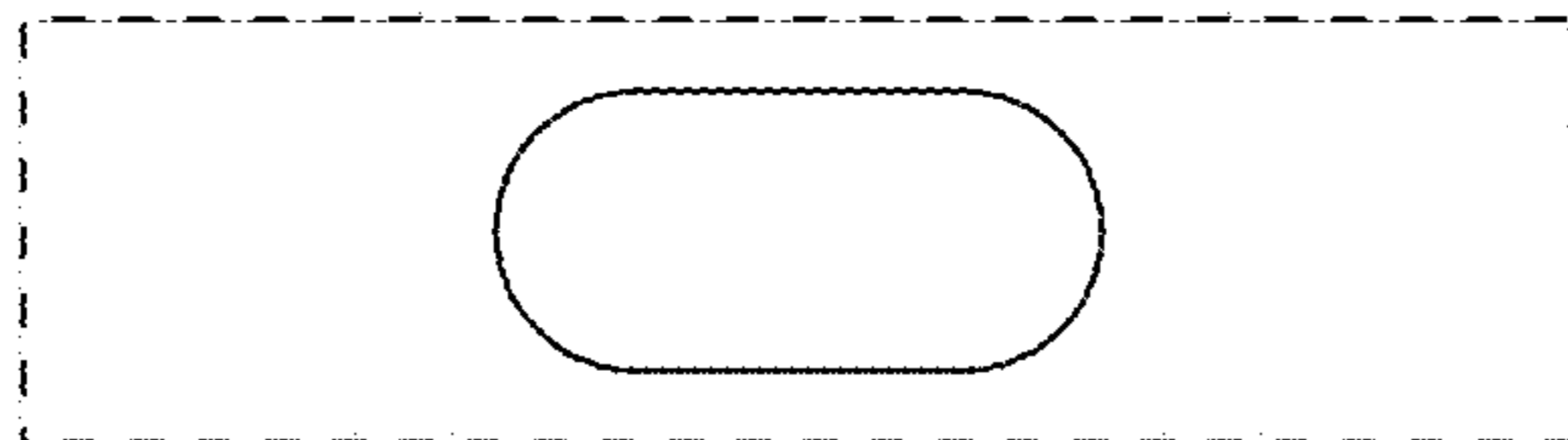


FIG. 7

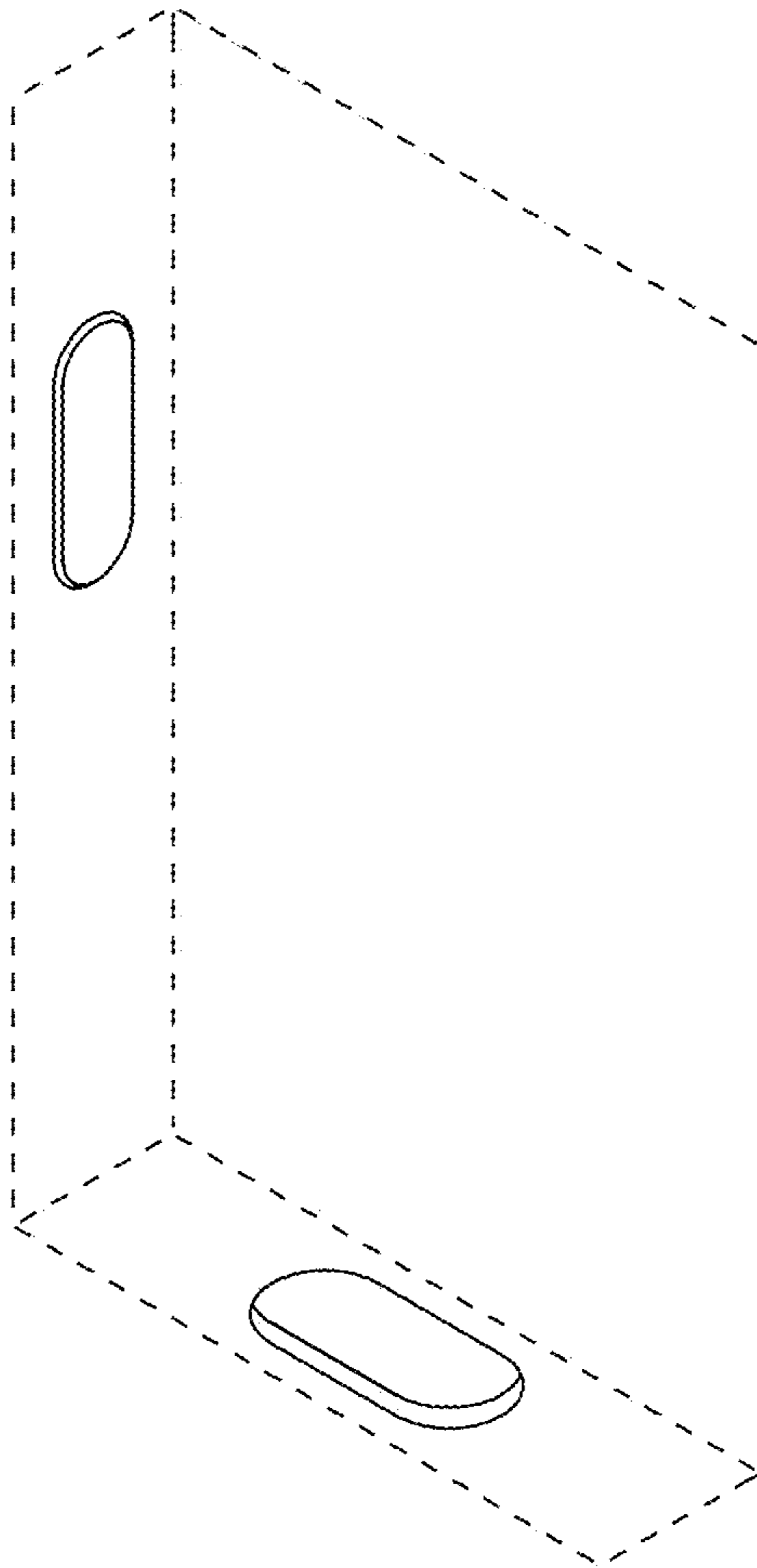


FIG. 8

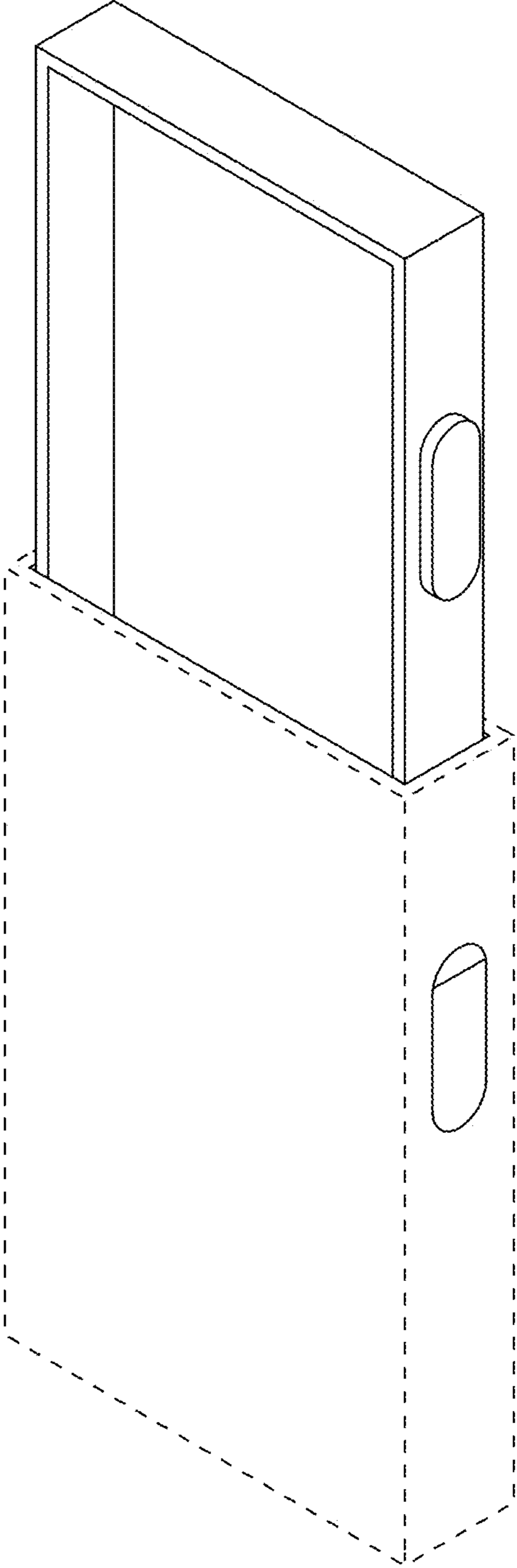


FIG. 9

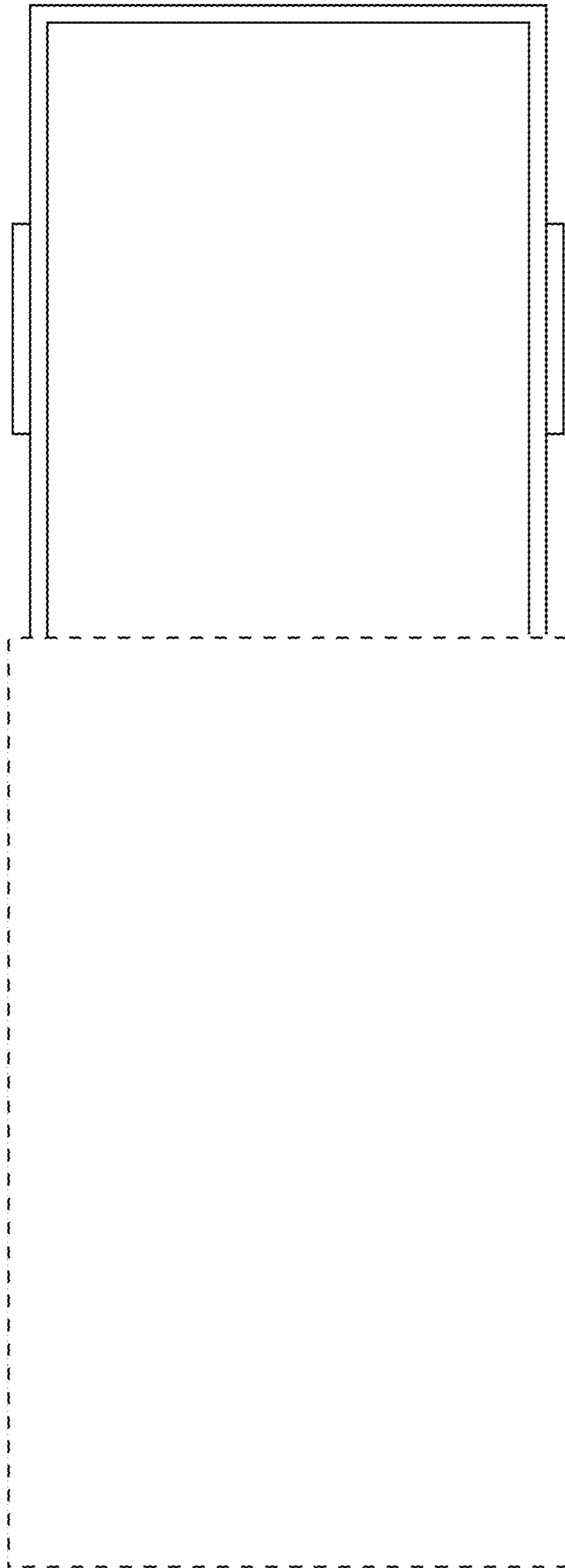


FIG. 10

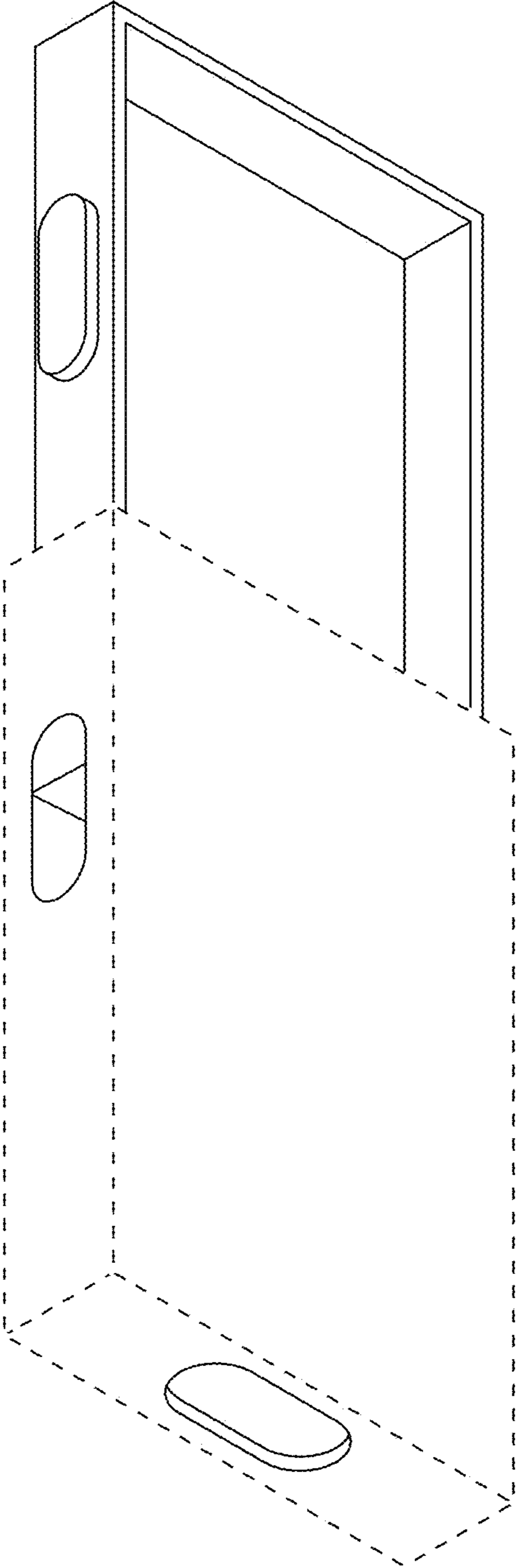


FIG. 11