



US00D911833S

(12) **United States Design Patent**
Toroyan

(10) **Patent No.:** **US D911,833 S**
(45) **Date of Patent:** **** Mar. 2, 2021**

(54) **CHILD-RESISTANT PACKAGE**
(71) Applicant: **More Agency, Inc.**, Van Nuys, CA (US)
(72) Inventor: **Mike Toroyan**, Granada Hills, CA (US)
(73) Assignee: **More Agency, Inc.**, Van Nuys, CA (US)

7,854,325 B2 * 12/2010 Bentele B65D 5/38
206/531
D633,268 S * 2/2011 Bottita D34/6
D640,920 S * 7/2011 Giraud D9/414
8,066,121 B2 * 11/2011 Sack B65D 75/327
206/531
D706,129 S * 6/2014 Boraczek D9/418
D712,251 S * 9/2014 Scott D9/434
D756,499 S * 5/2016 Vargas Cervantes D23/366
D764,904 S * 8/2016 Moseri D9/419

(Continued)

(**) Term: **15 Years**

(21) Appl. No.: **29/700,014**

(22) Filed: **Jul. 30, 2019**

(51) **LOC (13) Cl.** **09-03**

(52) **U.S. Cl.**
USPC **D9/416**

(58) **Field of Classification Search**
USPC D9/414-420, 432-434, 753, 737;
D23/366; D15/138; D14/376; D27/189;
D34/6
CPC B65D 5/106; B65D 43/16; B65D 11/12;
B65D 5/38; B65D 83/0463; B65D 50/04;
B65D 75/327; B65D 43/20; B65D 50/06;
A24F 27/00

See application file for complete search history.

(56) **References Cited**

U.S. PATENT DOCUMENTS

4,126,224 A * 11/1978 Laauwe B65D 50/06
206/540
4,561,544 A * 12/1985 Reeve B65D 11/12
206/1.5
5,082,137 A * 1/1992 Weinstein B65D 43/20
206/1.5
D382,201 S * 8/1997 Brondyke D9/753
D548,072 S * 8/2007 Nixon D9/432
D593,409 S * 6/2009 Blick D27/189
D606,854 S * 12/2009 Greenhalgh D9/420

OTHER PUBLICATIONS

“Locked 4Kids” found Oct. 24, 2020 on the internet by RMS at <https://www.nvc.nl/finalist-de-gouden-noot-2014-locked4kids/>.

(Continued)

Primary Examiner — Rhea Shields

(74) *Attorney, Agent, or Firm* — Lowry Blixseth APC;
Scott M. Lowry

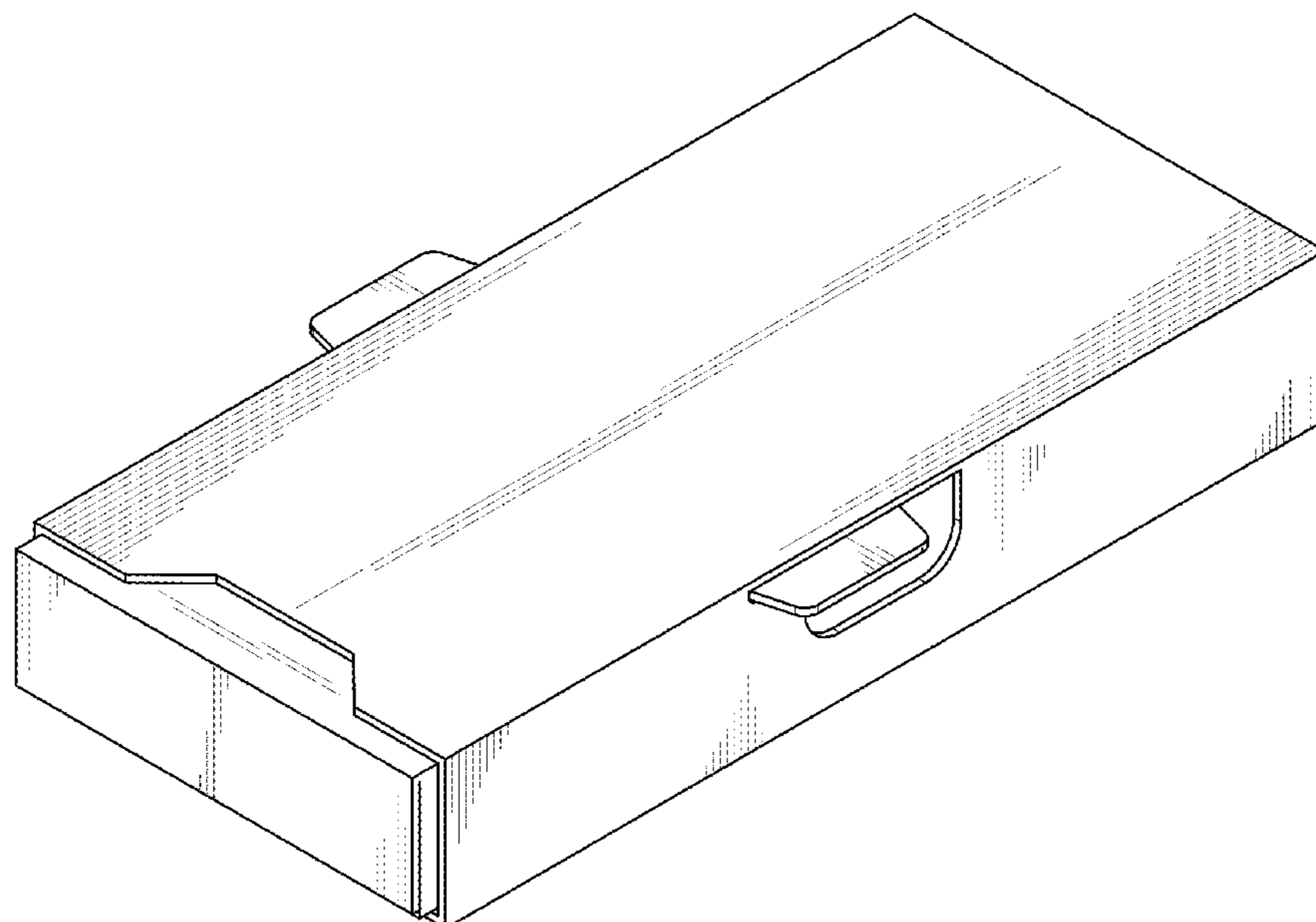
(57) **CLAIM**

The ornamental design for a child-resistant package, as shown.

DESCRIPTION

FIG. 1 is a perspective view showing the front, top and left sides of the child-resistant package;
FIG. 2 is a front elevation view of the child-resistant package;
FIG. 3 is a rear elevation view of the child-resistant package;
FIG. 4 is a right side elevation view of the child-resistant package;
FIG. 5 is a left side elevation view of the child-resistant package;
FIG. 6 is a top plan view of the child-resistant package; and,
FIG. 7 is a bottom plan view of the child-resistant package.

1 Claim, 5 Drawing Sheets



(56)

References Cited

U.S. PATENT DOCUMENTS

D778,149	S *	2/2017	Frick	D9/416
D796,562	S *	9/2017	Iu	D15/138
D798,142	S *	9/2017	Falcon	D9/418
D798,708	S *	10/2017	Chambers	D9/432
D811,005	S *	2/2018	Fath	D27/189
D831,480	S *	10/2018	Arazi	D9/433
D853,234	S *	7/2019	Aziz	D9/432
D863,056	S *	10/2019	Luna	D9/432
D867,129	S *	11/2019	Chambers	D9/432
D878,197	S *	3/2020	Griffin	D9/432
D887,409	S *	6/2020	Chu	D14/376
D891,919	S *	8/2020	Sill	D9/432
D892,632	S *	8/2020	Bogdziewicz	D9/737
D897,197	S *	9/2020	Tidwell	D9/418
2009/0152134	A1 *	6/2009	Katsis	A24F 27/00 206/96
2009/0200307	A1 *	8/2009	Giraud	B65D 50/04 220/326
2014/0251842	A1 *	9/2014	Pipes	B65D 83/0463 206/258
2019/0256242	A1 *	8/2019	Tidwell	B65D 5/106
2020/0039707	A1 *	2/2020	Kachian	B65D 43/16

OTHER PUBLICATIONS

“5PK Pre-Roll” found Oct. 24, 2020 on the internet by RMS at <http://safercannabispackaging.com/stock-boxes/>.*

* cited by examiner

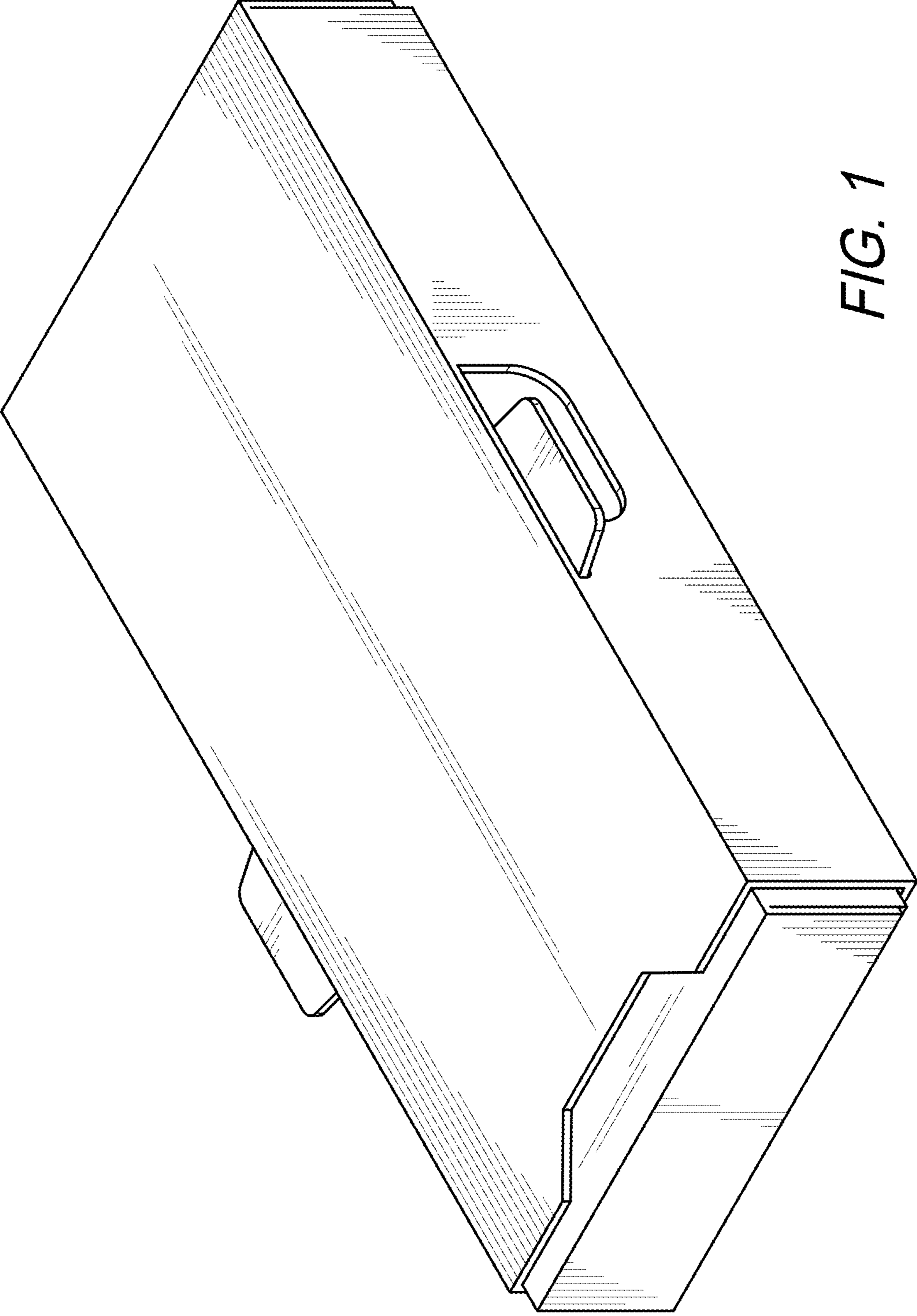


FIG. 1

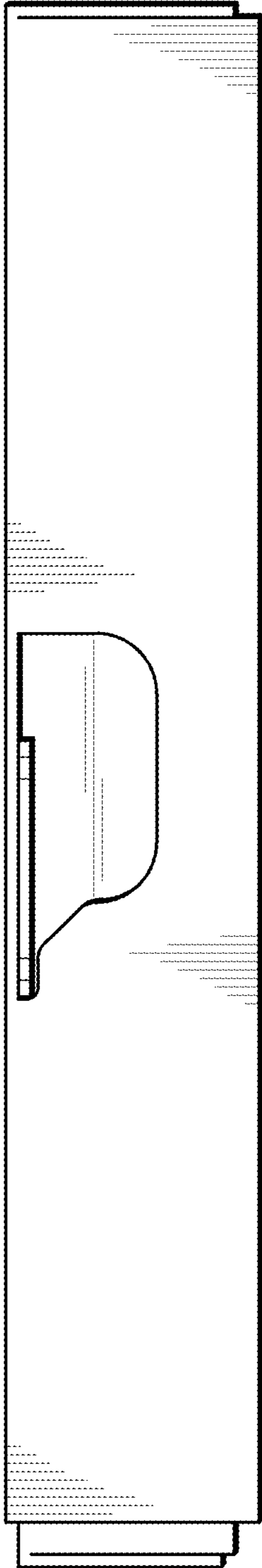


FIG. 2

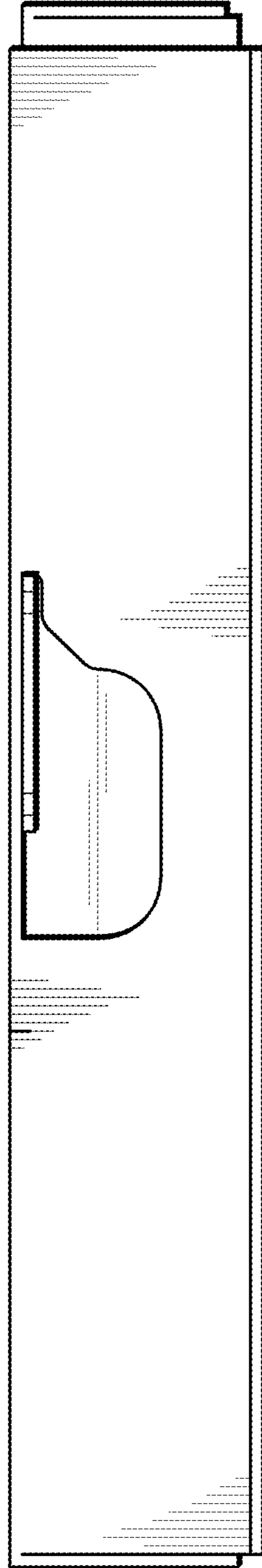


FIG. 3

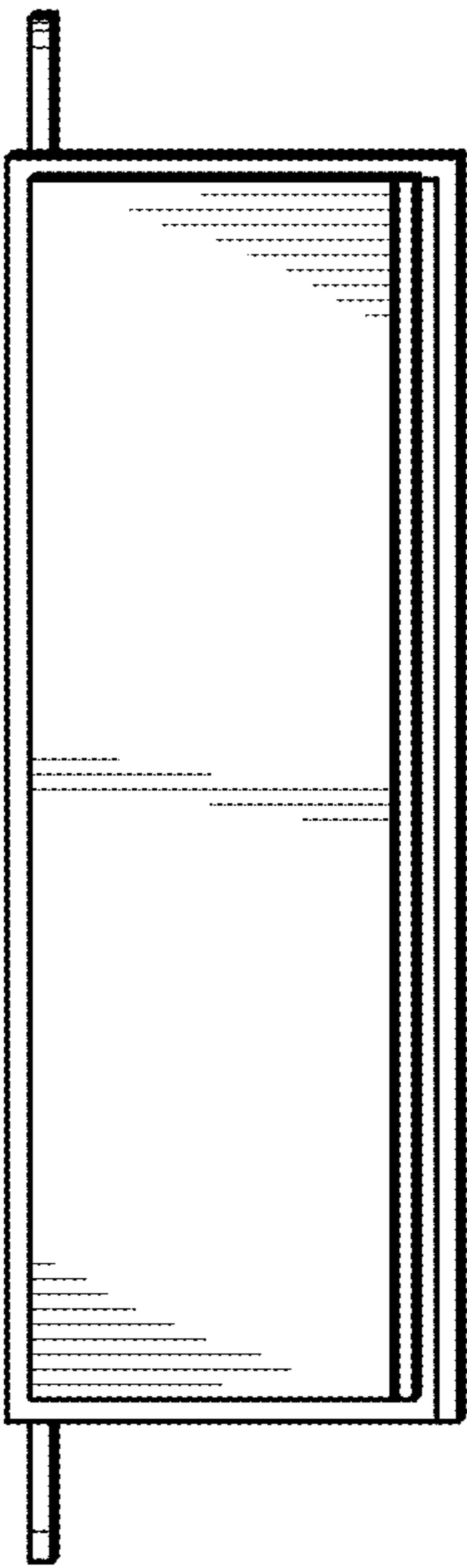


FIG. 4

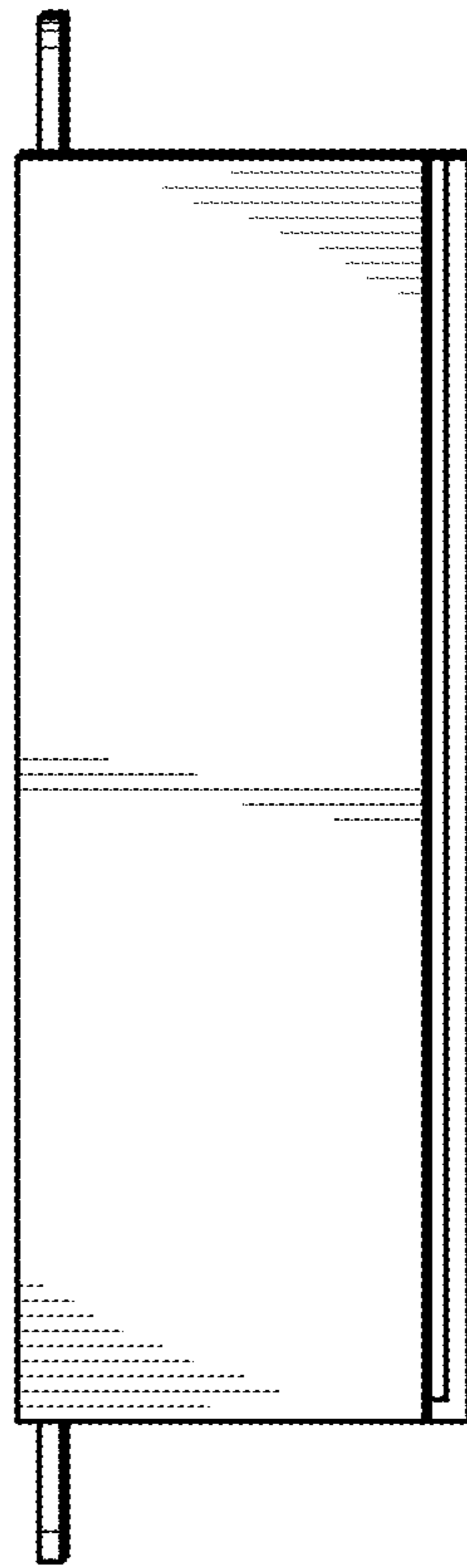


FIG. 5

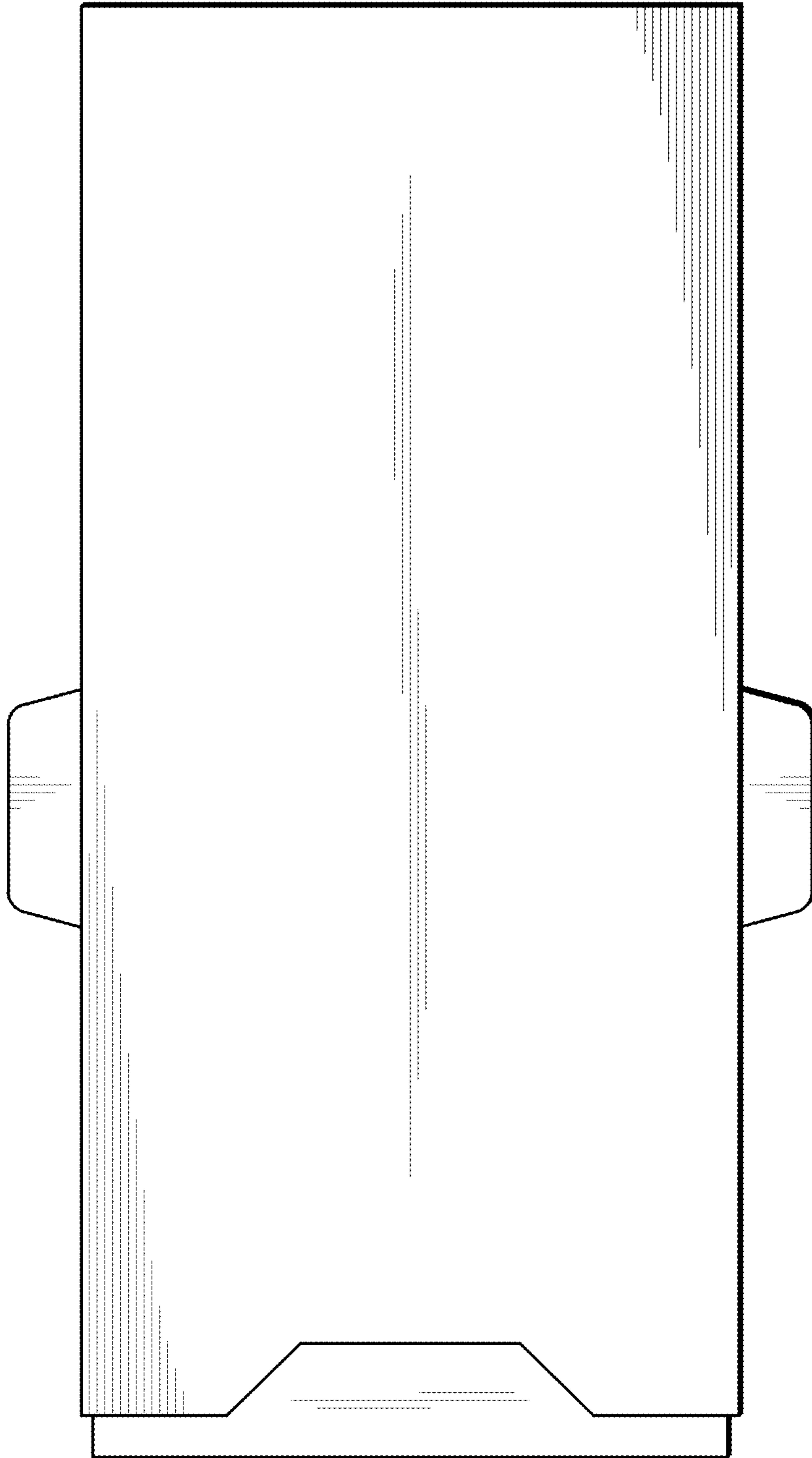


FIG. 6

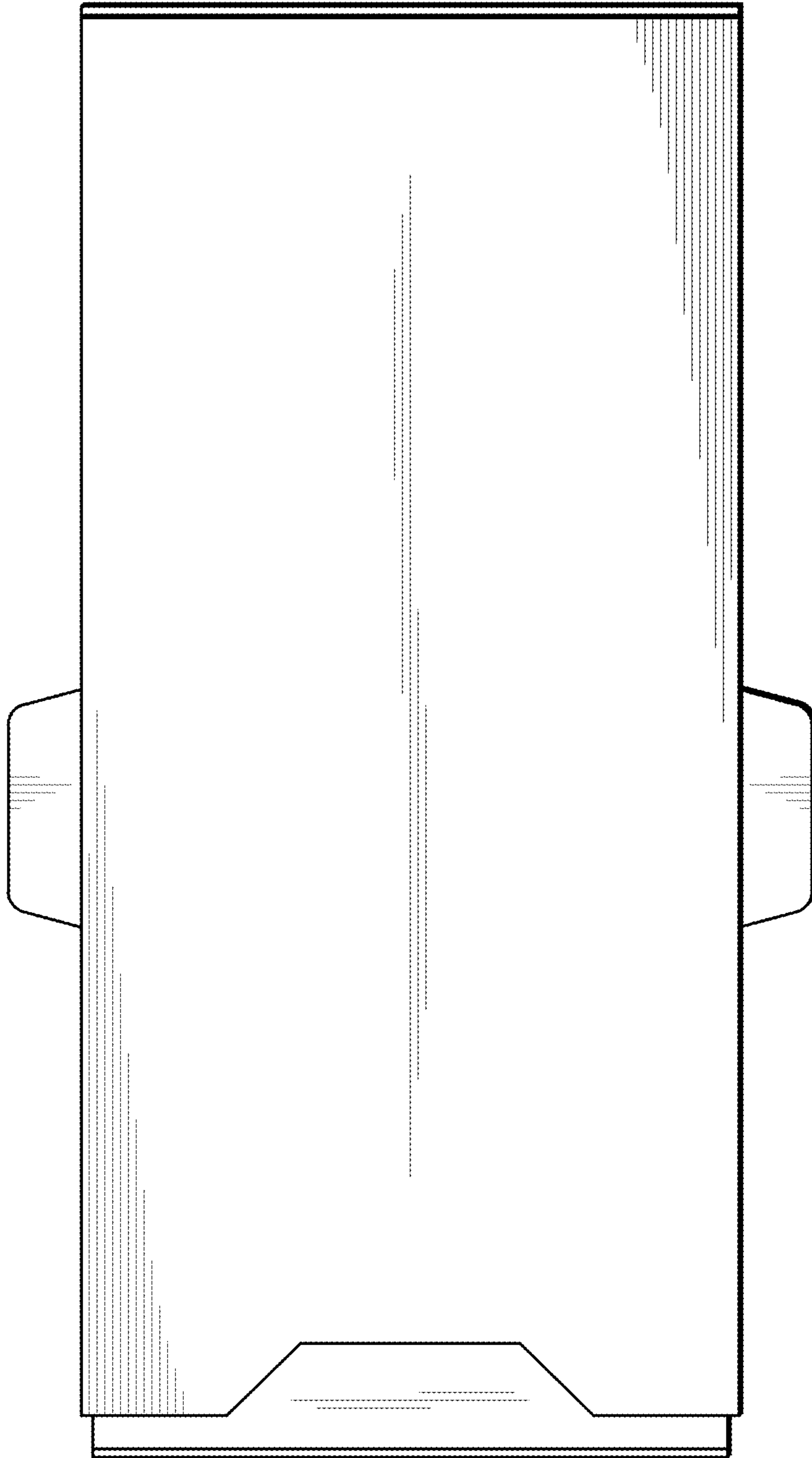


FIG. 7