



US00D911832S

(12) **United States Design Patent**
Ball

(10) **Patent No.:** **US D911,832 S**

(45) **Date of Patent:** **** Mar. 2, 2021**

(54) **BAG CLIP**

(71) Applicant: **Lifetime Brands, Inc.**, Garden City,
NY (US)

(72) Inventor: **Dylan Ball**, Bensalem, PA (US)

(73) Assignee: **Lifetime Brands, Inc.**, Garden City,
NY (US)

(**) Term: **15 Years**

(21) Appl. No.: **29/679,855**

(22) Filed: **Feb. 11, 2019**

(51) **LOC (13) Cl.** **08-08**

(52) **U.S. Cl.**
USPC **D8/395; D8/72**

(58) **Field of Classification Search**
USPC D8/21-29, 29.1, 114, 499, 321, 81, 52,
D8/61, 107, 57, 346, 334, 333, 72-75,
D8/393-395, 63, 93, 14, 330, 400, 349,
D8/336, 467, 356, 692, 693, 17, 367, 368,
D8/369, 370, 371; 81/119, 177.1, 177.2,
81/57.5, 478, 177.7, 177.8, 166;
16/87.4 R, 87.2; D15/148, 140, 138, 5
CPC B25B 13/08; B25B 13/00; B25B 13/481;
B25B 13/56; B25B 23/16; B25B 13/06;
B25B 23/0035; B25B 15/001; B25B
13/065; B25B 23/0021; B25B 1/063;
B25B 15/008; B25G 1/043; B25G 1/005;
B25G 1/063; B25G 1/085; B25G 1/066;
B25G 1/102

See application file for complete search history.

(56) **References Cited**

U.S. PATENT DOCUMENTS

D495,852 S * 9/2004 Barber 426/144
D678,656 S * 3/2013 Gottardi B. Maia D1/128
D679,476 S * 4/2013 Barber D1/125
D680,759 S * 4/2013 Jones D6/328

D690,896 S * 10/2013 Barber D1/125
D700,507 S * 3/2014 Tavasi D8/395
D706,017 S * 6/2014 King D1/199
D717,516 S * 11/2014 King D1/125
D718,803 S * 12/2014 Smith D16/250
D731,741 S * 6/2015 Brown D1/128
D736,611 S * 8/2015 Deurloo D8/395
D763,542 S * 8/2016 Guidolin D1/128
D765,342 S * 9/2016 Bucks D1/125
D768,951 S * 10/2016 Bucks D1/125
D779,777 S * 2/2017 Fase, Jr. D1/122
D794,438 S * 8/2017 Davis D8/395

(Continued)

OTHER PUBLICATIONS

Fred & Friends, Fred 5246940 Tortilla Chip Bag Closure Clips,
Date first available Oct. 1, 2013, [online]retrieved Apr. 13, 2020,
available from internet, www.amazon.com (Year: 2013).*

(Continued)

Primary Examiner — Keli L Hill

Assistant Examiner — Sara S Sahneh

(74) *Attorney, Agent, or Firm* — Tutunjian & Bitetto, P.C.

(57) **CLAIM**

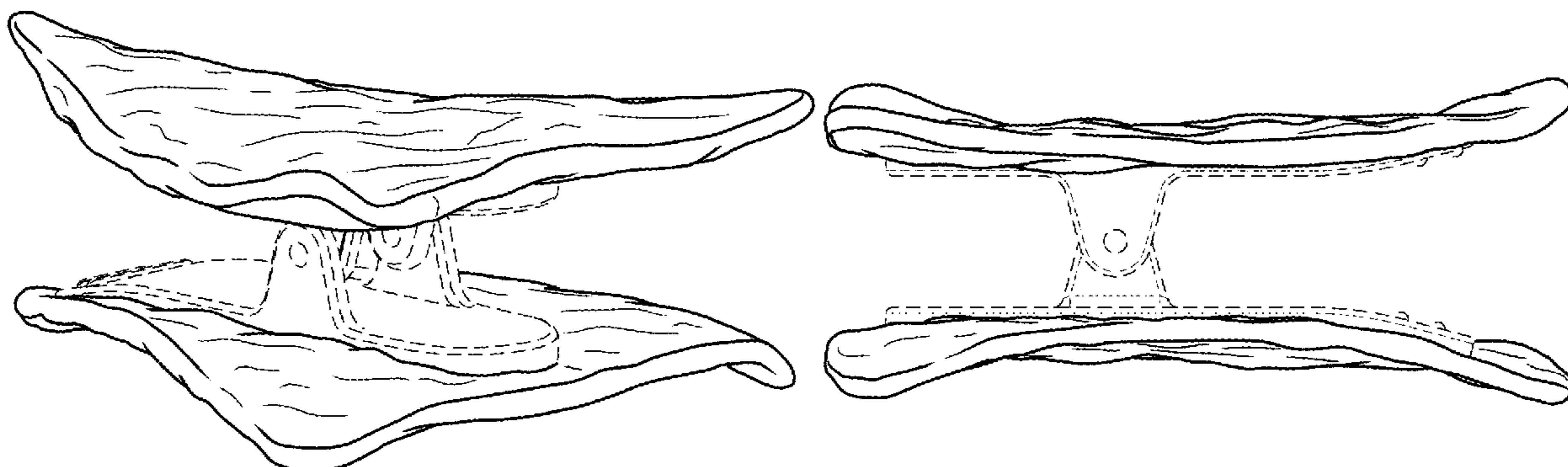
The ornamental design for a bag clip, as shown and
described.

DESCRIPTION

FIG. 1 is a perspective view of the bag clip in an open
position showing my new design;
FIG. 2 is a bottom view thereof;
FIG. 3 is a top view thereof;
FIG. 4 is left side view thereof;
FIG. 5 is a right side view thereof;
FIG. 6 is a front view thereof; and,
FIG. 7 is a rear view thereof.

The broken lines illustrate environment structure that forms
no part of the claimed subject matter.

1 Claim, 4 Drawing Sheets



(56)

References Cited

U.S. PATENT DOCUMENTS

D799,951 S * 10/2017 Habraken D8/395
2016/0106111 A1 * 4/2016 Zaleski, Jr. A23P 20/20
426/560

OTHER PUBLICATIONS

Fred & Friends, Fred 5246918 Potato Chip Bag Closure Clips, Date first available Mar. 7, 2019, [online]retrieved Apr. 13, 2020, available from internet, www.amazon.com (Year: 2019).*

* cited by examiner

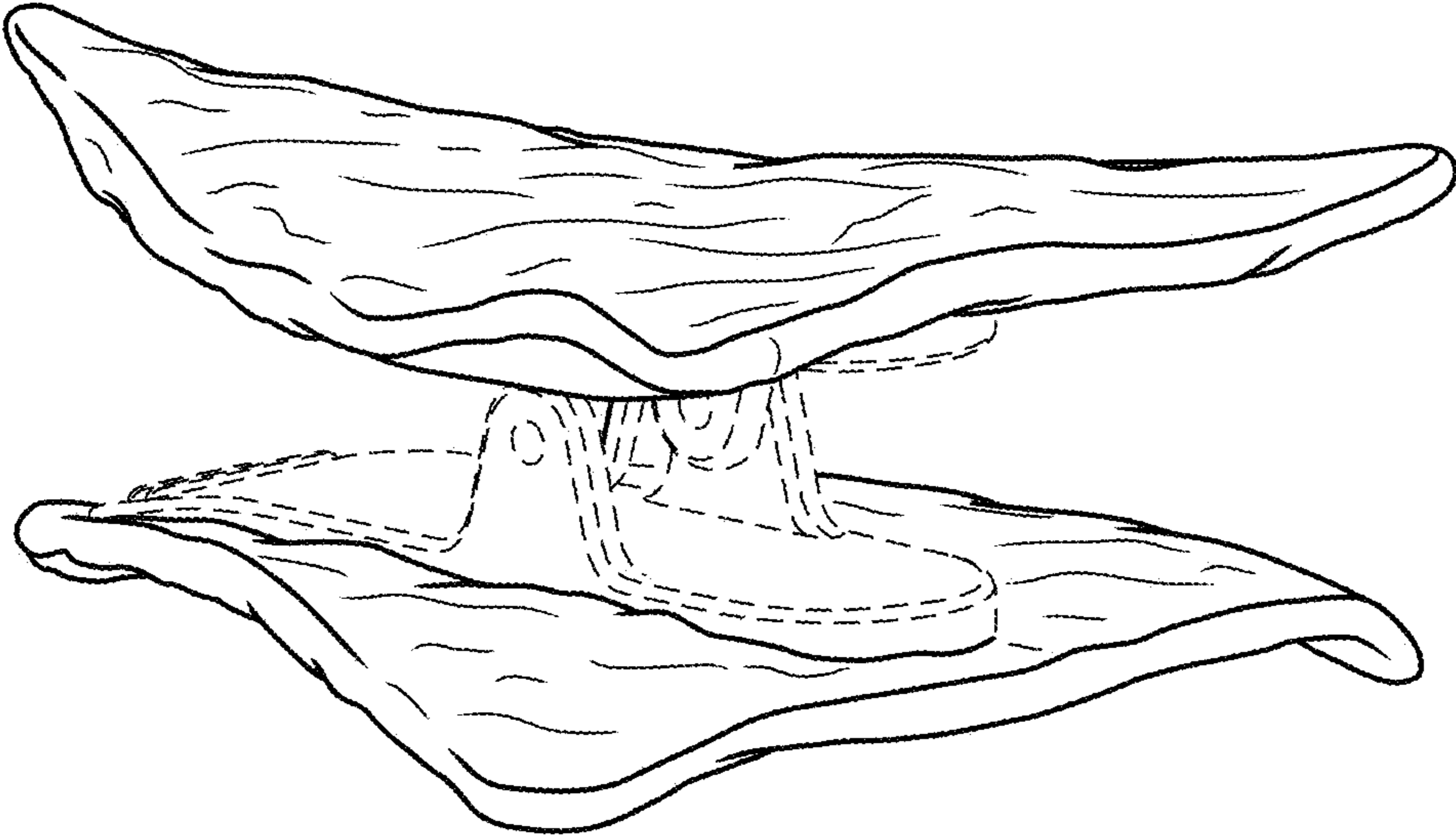


FIG. 1

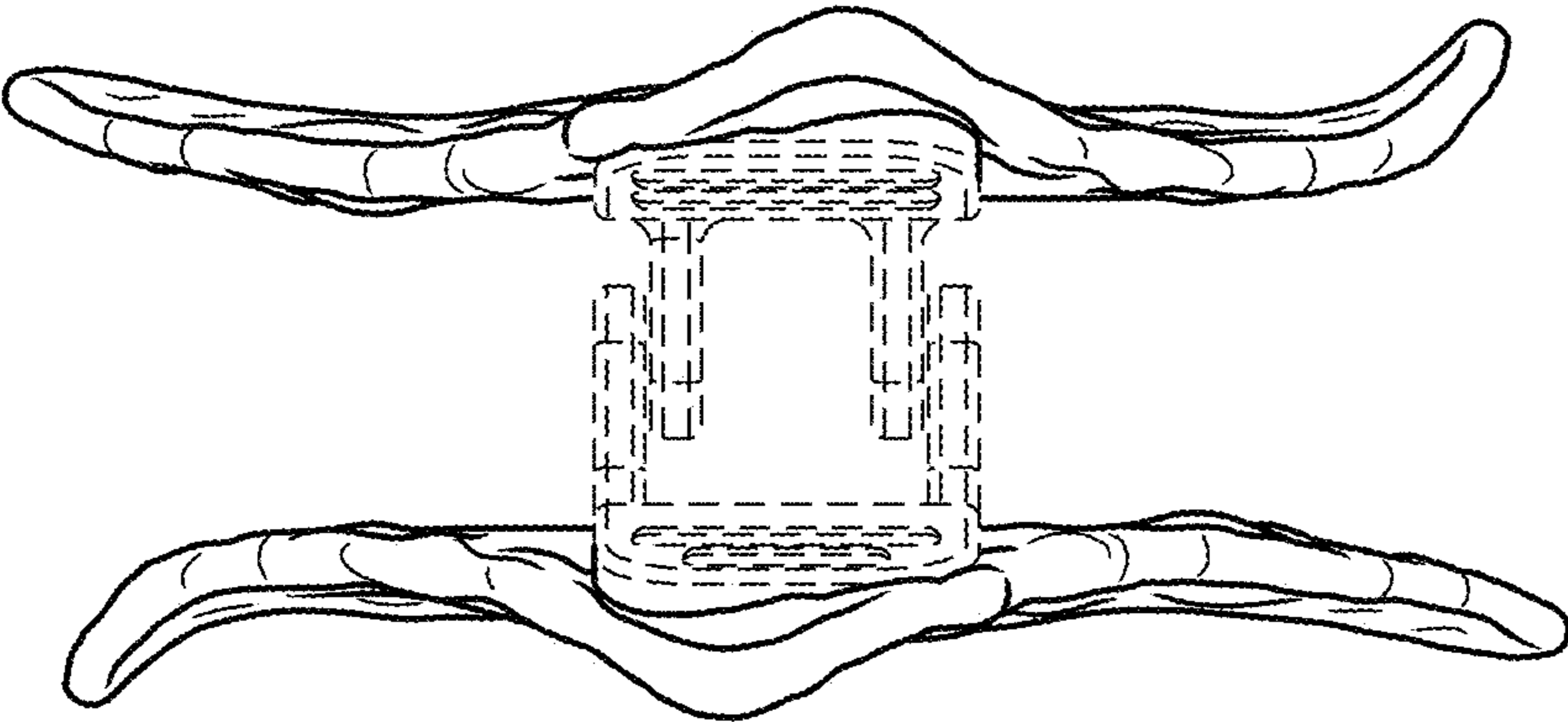


FIG. 2

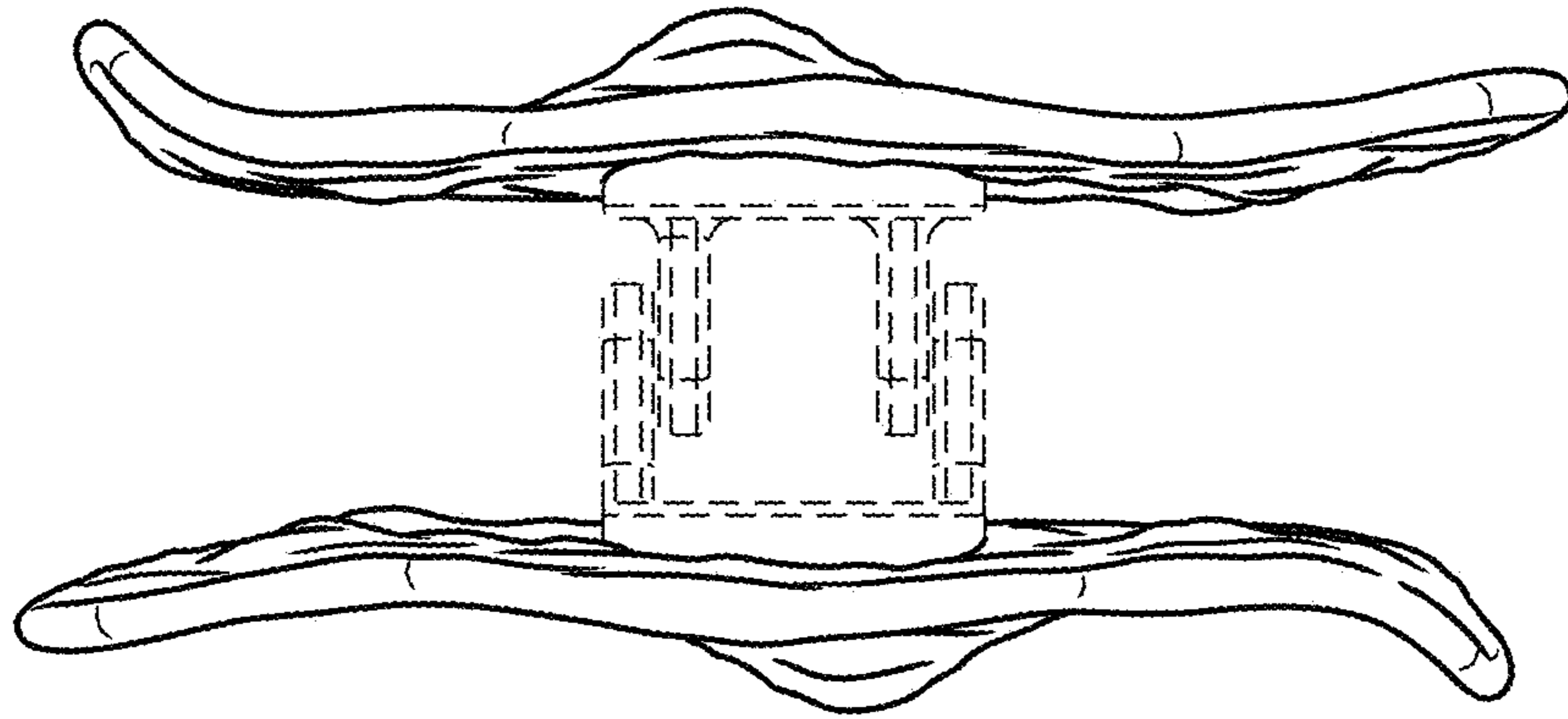


FIG. 3

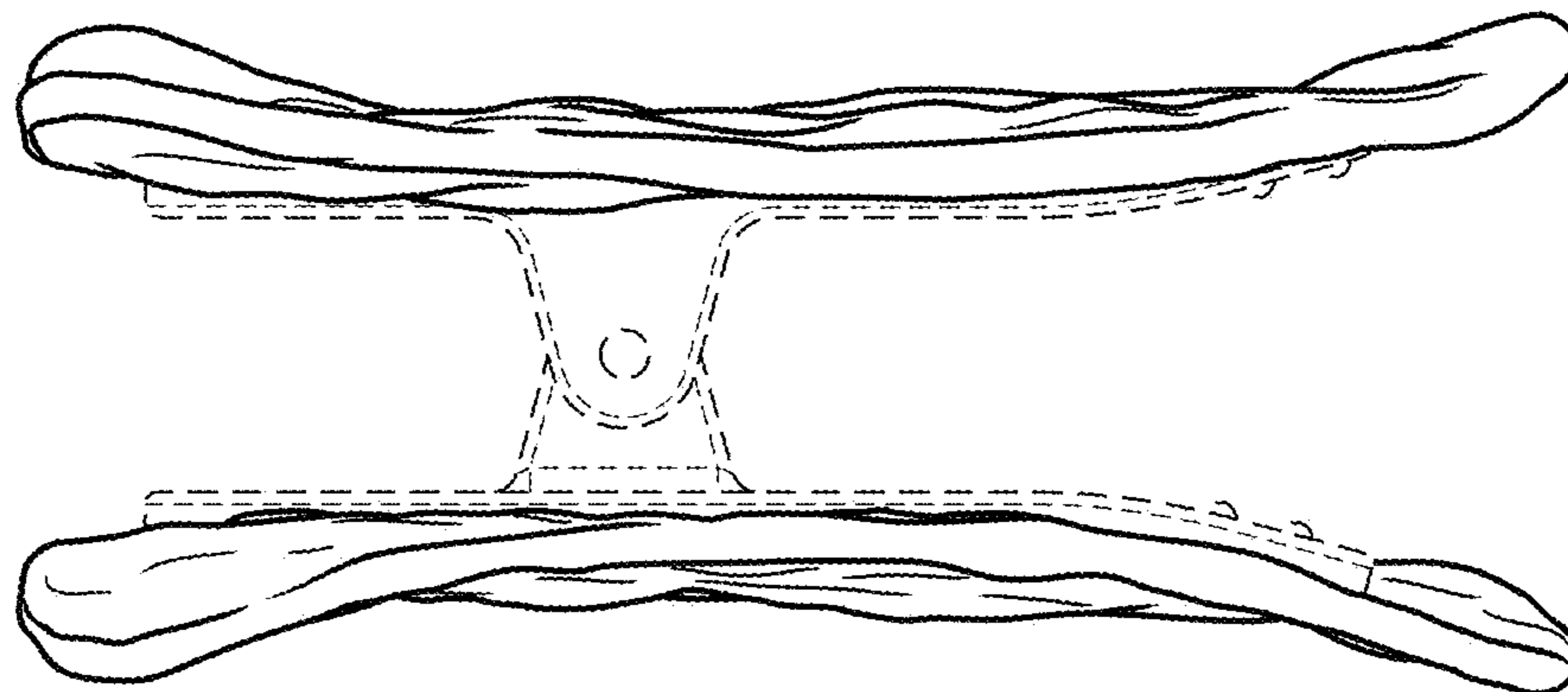


FIG. 4

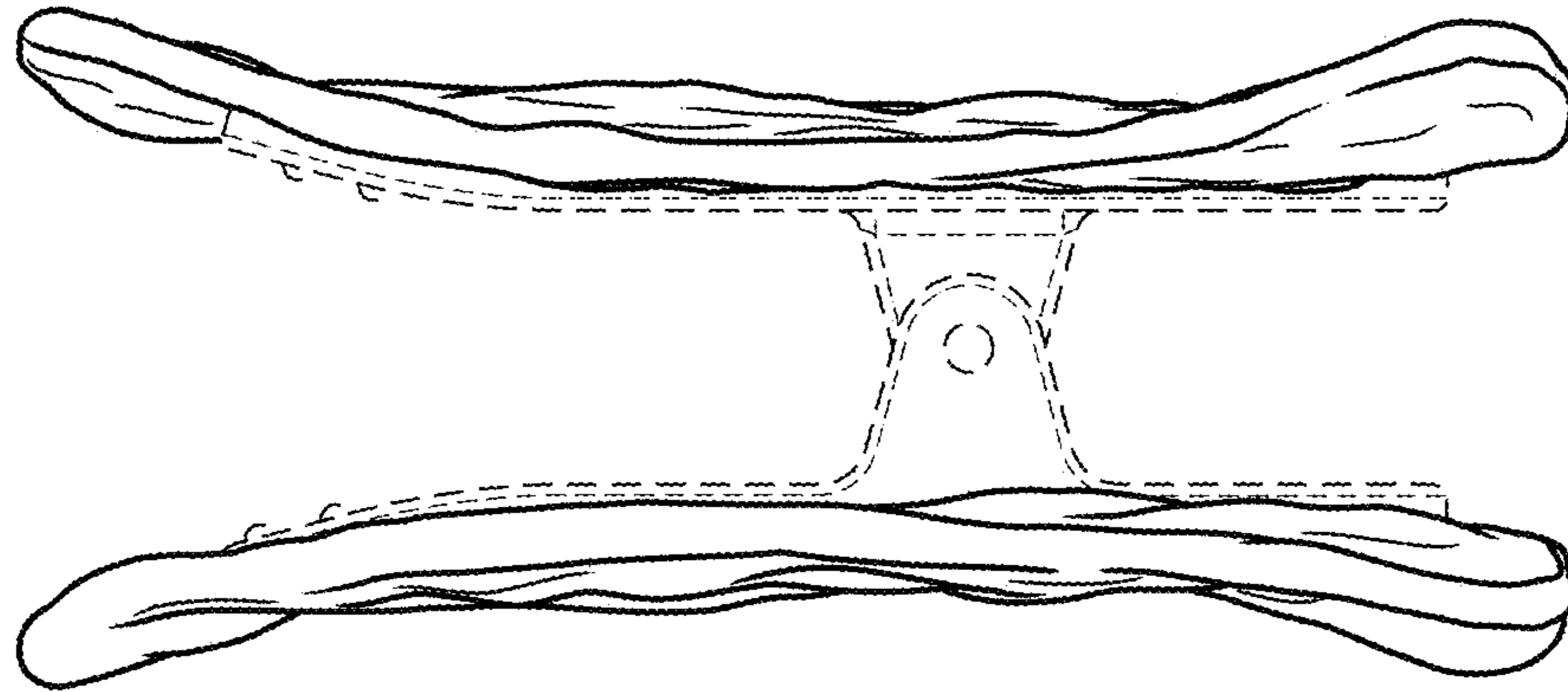


FIG. 5

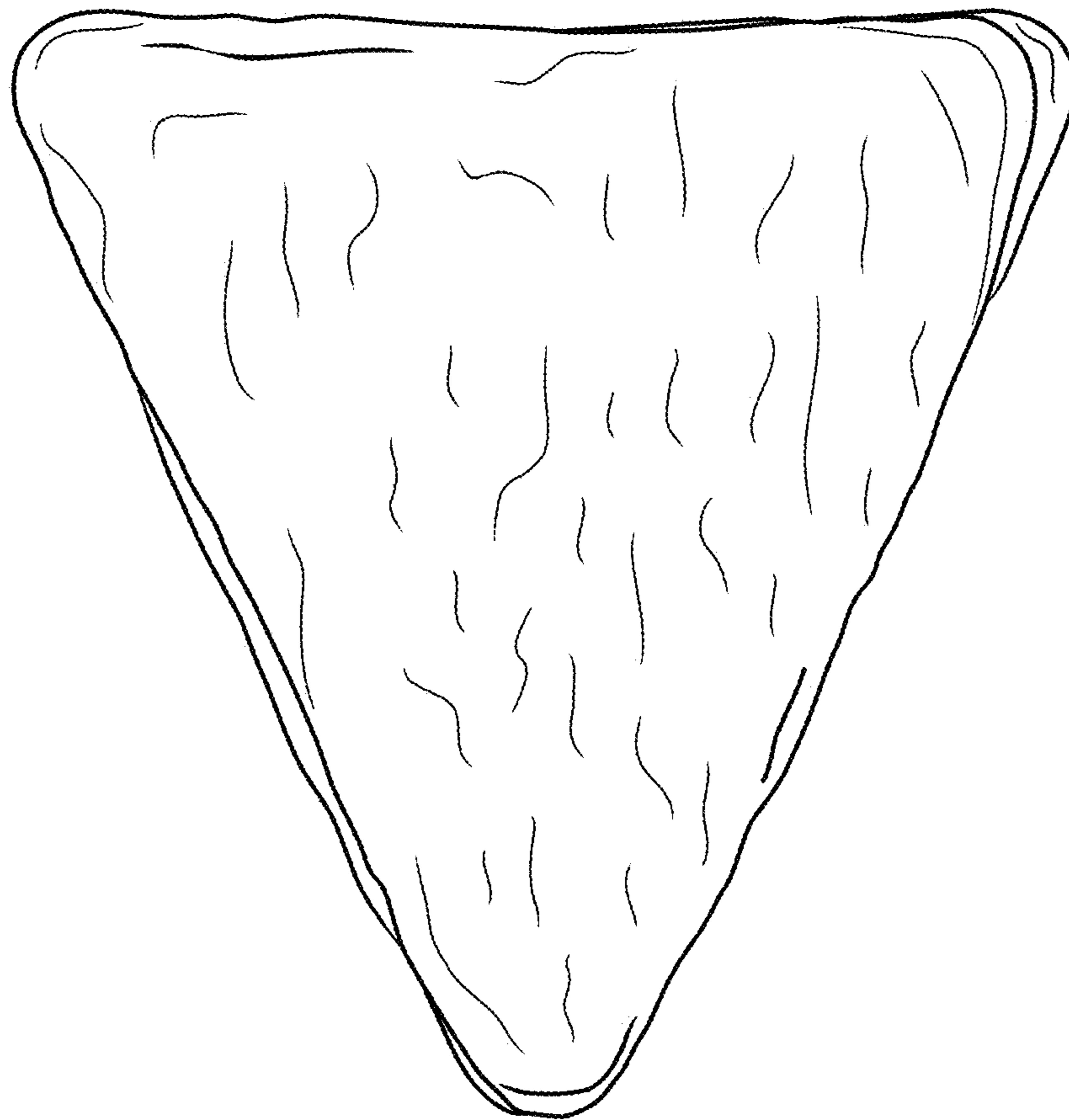


FIG. 6

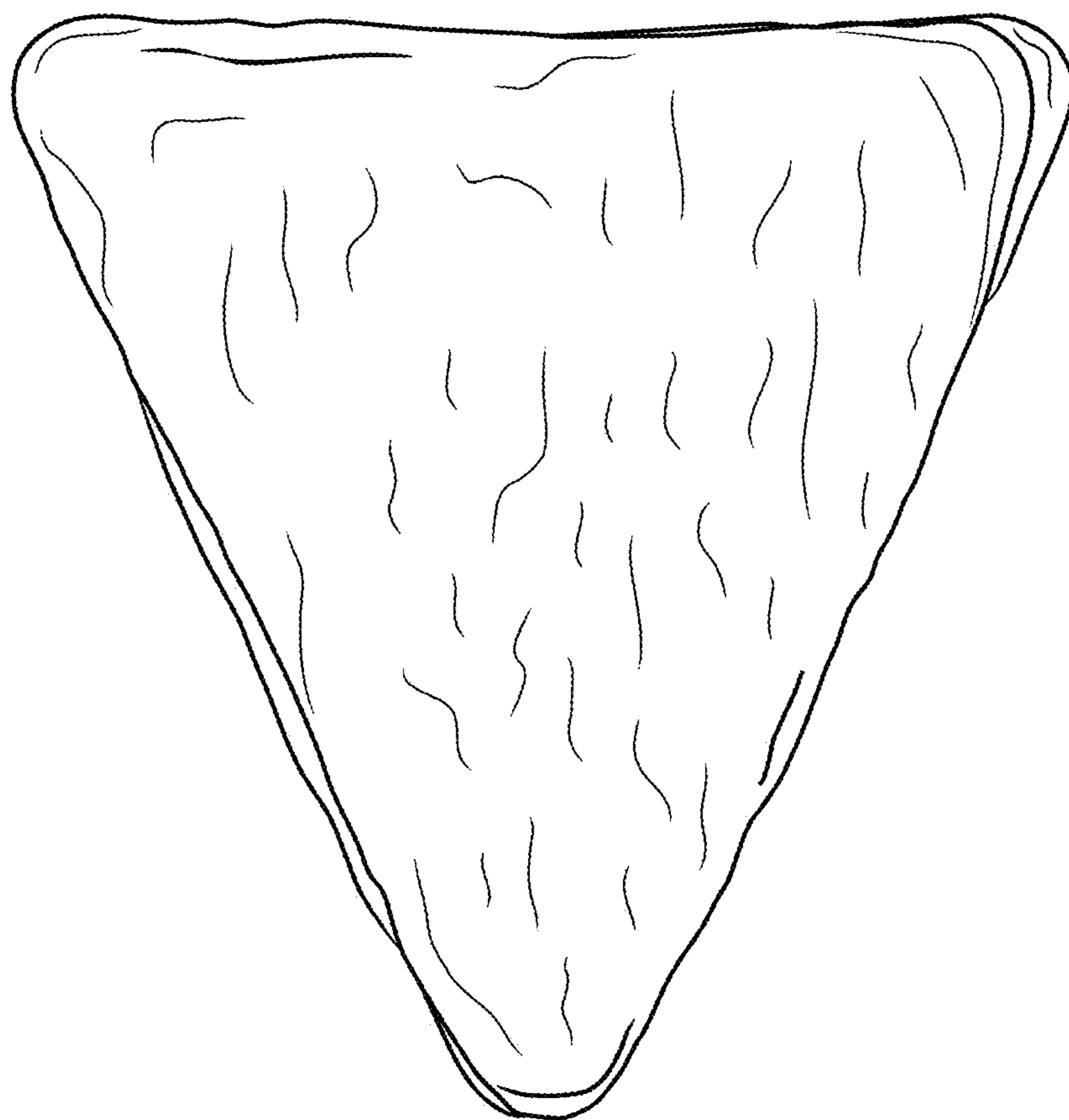


FIG. 7