



US00D911831S

(12) **United States Design Patent** (10) **Patent No.:** **US D911,831 S**
Sutliff, II (45) **Date of Patent:** **** Mar. 2, 2021**

(54) **TARP ANCHOR WITH OPTIONAL LOCKING BASE**

(71) Applicant: **Charles Weiss Sutliff, II**, Kila, MT (US)

(72) Inventor: **Charles Weiss Sutliff, II**, Kila, MT (US)

(**) Term: **15 Years**

(21) Appl. No.: **29/647,377**

(22) Filed: **May 11, 2018**

(51) **LOC (13) Cl.** **08-08**

(52) **U.S. Cl.**
USPC **D8/394**

(58) **Field of Classification Search**
USPC D8/382, 383, 394, 395, 499; D11/200, D11/212, 215, 218; D21/839
(Continued)

(56) **References Cited**

U.S. PATENT DOCUMENTS

2,939,195 A 6/1960 Carlson
3,780,400 A * 12/1973 Hinsperger A44B 1/185
24/16 PB

(Continued)

OTHER PUBLICATIONS

“Anchor Point,” <<http://usaprogrip.com/products/ratchets-3-2/bar-handle-2-2/>>, 1 page, retrieved on Apr. 27, 2018, (attached).

Primary Examiner — Steven J Czyz

(74) *Attorney, Agent, or Firm* — Sarah J Rhoades

(57) **CLAIM**

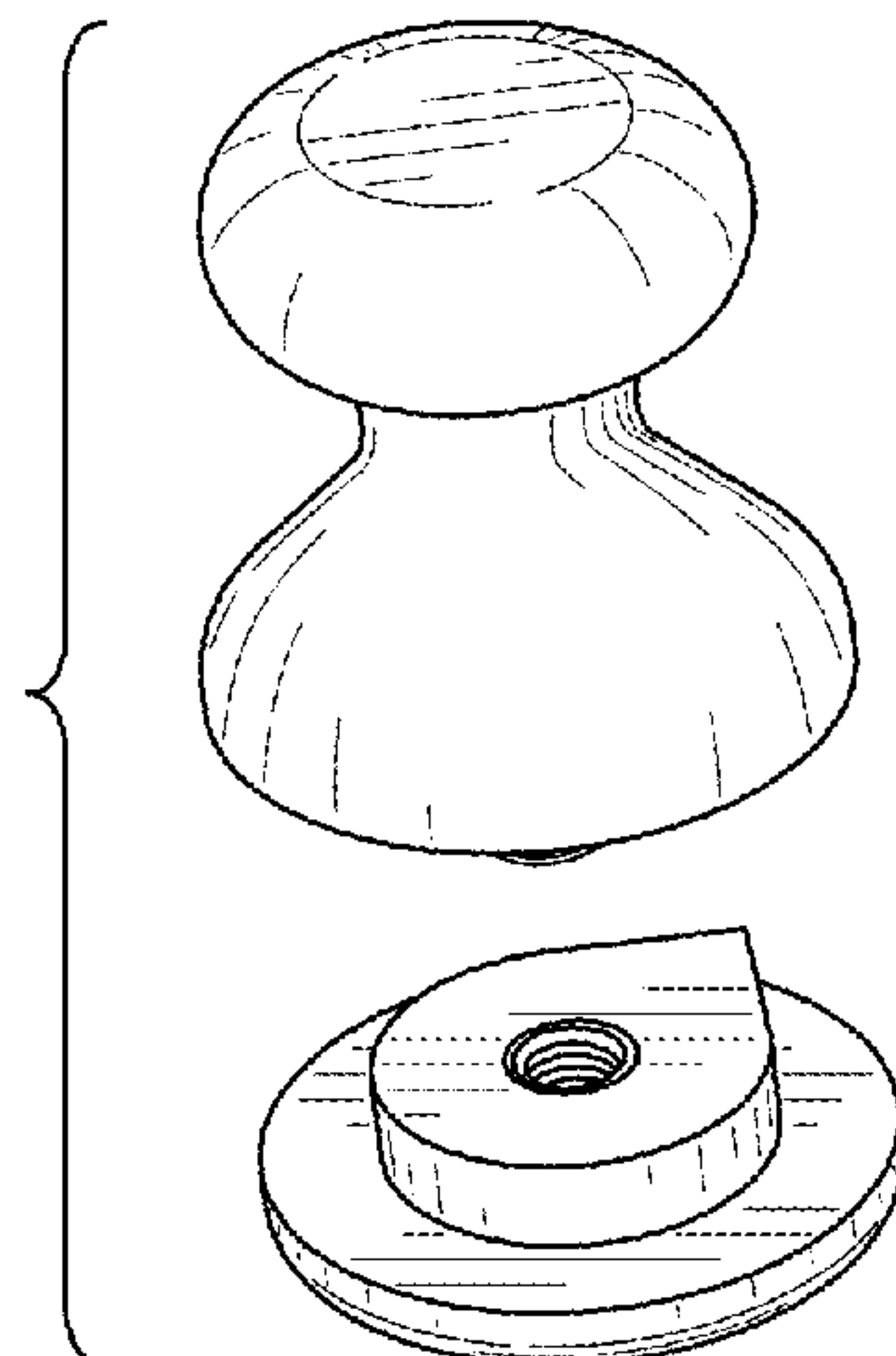
The ornamental design for a tarp anchor with optional locking base, as shown and described.

DESCRIPTION

FIG. 1 is a top perspective view of a tarp anchor with optional locking base;

FIG. 2 is a rear view thereof;
FIG. 3 is a side view thereof, with the opposite side being a mirror image thereof;
FIG. 4 is a front view thereof;
FIG. 5 is a top perspective view of a second embodiment of the tarp anchor with optional locking base;
FIG. 6 is a rear view thereof;
FIG. 7 is a front view thereof;
FIG. 8 is a top view of the anchor portion of the tarp anchor with optional locking base, shown separately for ease of disclosure;
FIG. 9 is a bottom view of the base portion of the tarp anchor with optional locking base, shown separately for ease of disclosure;
FIG. 10 is a bottom perspective view of the anchor portion of the first embodiment of the tarp anchor with optional locking base, shown separately for ease of disclosure;
FIG. 11 is a top view of the base portion of the first embodiment of the tarp anchor with optional locking base, shown separately for ease of disclosure;
FIG. 12 is a bottom perspective view of the anchor portion of the second embodiment of the tarp anchor with optional locking base, shown separately for ease of disclosure;
FIG. 13 is a top view of the base portion of the second embodiment of the tarp anchor with optional locking base, shown separately for ease of disclosure;
FIG. 14 is a bottom perspective view of the second embodiment of the tarp anchor with optional locking base, shown with environment;
FIG. 15 is a front view thereof;
FIG. 16 is a top perspective view thereof;
FIG. 17 is a top perspective view of the tarp anchor with optional locking base, shown in use with environment;
FIG. 18 is a top perspective view of the tarp anchor with optional locking base, shown in use with environment and a transparent material over the anchor portion;
FIG. 19 is a side view of the third embodiment of the tarp anchor with optional locking base; and,
FIG. 20 is another a top perspective view of the tarp anchor with optional locking base, shown in use with environment and a transparent material over the anchor portion.

(Continued)



The broken lines depict environment that form no part of the claimed design.

1 Claim, 8 Drawing Sheets

(58) Field of Classification Search

CPC .. F16B 1/00; F16B 2001/0028; H01F 7/0263;
A44B 99/005; A44B 1/32; A44B 13/00;
A44B 11/20; B60J 7/104; E04H 15/64;
Y10T 24/21; Y10T 24/44034; Y10T
24/44043

See application file for complete search history.

(56) References Cited

U.S. PATENT DOCUMENTS

3,936,912 A * 2/1976 Flanagan, Jr. E04H 15/64
24/459
D278,594 S * 4/1985 Lye D8/25
D288,162 S * 2/1987 Hutton D11/212
4,688,304 A * 8/1987 Marcott A47K 10/12
135/119
D329,192 S * 9/1992 Susac D8/349
5,168,605 A * 12/1992 Bartlett A47C 21/022
24/129 R
D333,085 S * 2/1993 Thomsen D8/349
D337,255 S * 7/1993 Novelli, Sr. D30/155
D339,521 S * 9/1993 Bartlett D11/212
D340,007 S * 10/1993 Gershenson D11/200
5,274,885 A * 1/1994 Hellweg A45F 5/02
224/272
5,353,441 A * 10/1994 Lazorchak A41D 27/085
2/240
D361,671 S * 8/1995 Sharpe D6/323
D362,176 S * 9/1995 Solbeck D8/382
D375,248 S * 11/1996 Bryant D8/344
D393,417 S * 4/1998 Glickman D8/382
D398,451 S * 9/1998 Sharpe D6/323
6,199,247 B1 * 3/2001 Tsai A47K 10/14
24/343
6,283,348 B1 * 9/2001 Wang A45F 5/02
224/197
6,292,987 B1 9/2001 Combes
D465,525 S * 11/2002 Dilday B42F 1/06
D19/65
6,484,370 B2 * 11/2002 Kanie B60R 13/0206
24/297
D506,121 S * 6/2005 Falconer D12/162
D509,471 S * 9/2005 Cronce D12/414
7,178,855 B2 * 2/2007 Catron B60J 5/0468
24/297
D552,691 S * 10/2007 Tak D21/480
D562,124 S * 2/2008 Hargis D8/394
D571,278 S * 6/2008 Carnevali D12/223

D572,117 S * 7/2008 Daun D8/354
D574,700 S * 8/2008 Bevirt D8/382
7,406,753 B2 * 8/2008 LaScala E04H 15/64
24/460
D588,902 S * 3/2009 Carnevali D8/354
D623,506 S * 9/2010 Ghatikar D8/382
D641,476 S * 7/2011 Sibhatu D24/156
D658,036 S * 4/2012 Fong D8/339
D662,392 S * 6/2012 Main D8/331
D674,273 S * 1/2013 Yogev D8/382
D679,170 S * 4/2013 Else D8/349
8,490,257 B2 * 7/2013 Cameron A44B 1/04
24/674
8,650,725 B1 * 2/2014 Cooper E04H 15/64
24/459
D729,041 S * 5/2015 Smith D8/349
D748,461 S * 2/2016 Catchings D8/394
9,249,814 B2 * 2/2016 Tsai A45F 5/004
D751,889 S * 3/2016 Thiltges D8/394
D767,957 S * 10/2016 Hancock D8/44
D768,468 S * 10/2016 Maloney D8/382
D768,472 S * 10/2016 Yoshihashi D8/382
D773,339 S * 12/2016 McClure D11/200
D774,380 S * 12/2016 Apter D8/349
9,516,931 B2 * 12/2016 Mencagli A44B 1/32
9,777,756 B2 * 10/2017 Oakes F16B 1/00
9,874,039 B2 * 1/2018 Haas E04H 15/64
D813,720 S * 3/2018 Fantauzzo D11/200
9,961,966 B2 * 5/2018 Ryan A44B 1/32
D819,428 S * 6/2018 Ng D8/354
D835,506 S * 12/2018 Evans D9/439
10,327,438 B2 * 6/2019 Heegaard F16B 1/00
10,328,776 B2 * 6/2019 Tortorella, Jr. B60J 7/104
10,371,183 B2 * 8/2019 Moreau F16B 2/185
10,400,949 B1 * 9/2019 Kozak F16M 13/02
D874,252 S * 2/2020 Eremita D8/394
D874,254 S * 2/2020 Eremita D8/394
10,602,806 B2 * 3/2020 Dagostino A44B 1/32
D886,872 S * 6/2020 Myers D15/7
10,733,917 B2 * 8/2020 Davison F16B 11/006
2001/0042273 A1 * 11/2001 Chaffee A44B 11/2584
5/655.3
2004/0083583 A1 * 5/2004 Bradley F16B 5/0657
24/297
2004/0159208 A1 * 8/2004 Yasunori G10G 5/005
84/329
2005/0198791 A1 9/2005 Liao
2007/0099469 A1 * 5/2007 Sorensen A45F 5/02
439/289
2008/0209698 A1 * 9/2008 Colorado A45F 5/02
24/595.1
2010/0199467 A1 * 8/2010 Morejon A47D 15/008
24/442
2014/0245592 A1 * 9/2014 Burkhart G09F 7/20
29/525.11
2016/0333906 A1 11/2016 Varga
2017/0119108 A1 * 5/2017 Schlick B60J 7/104

* cited by examiner

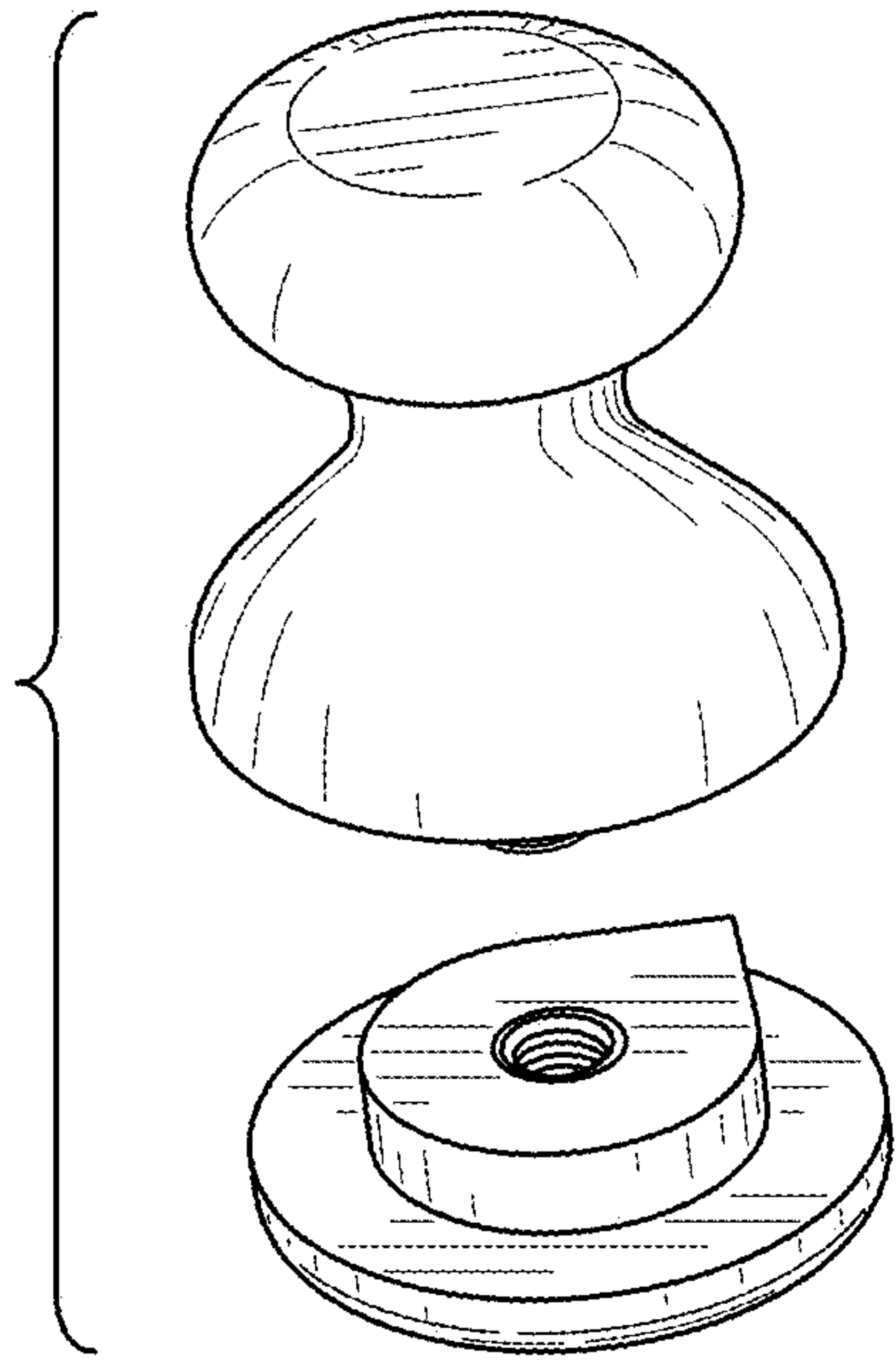


FIG. 1

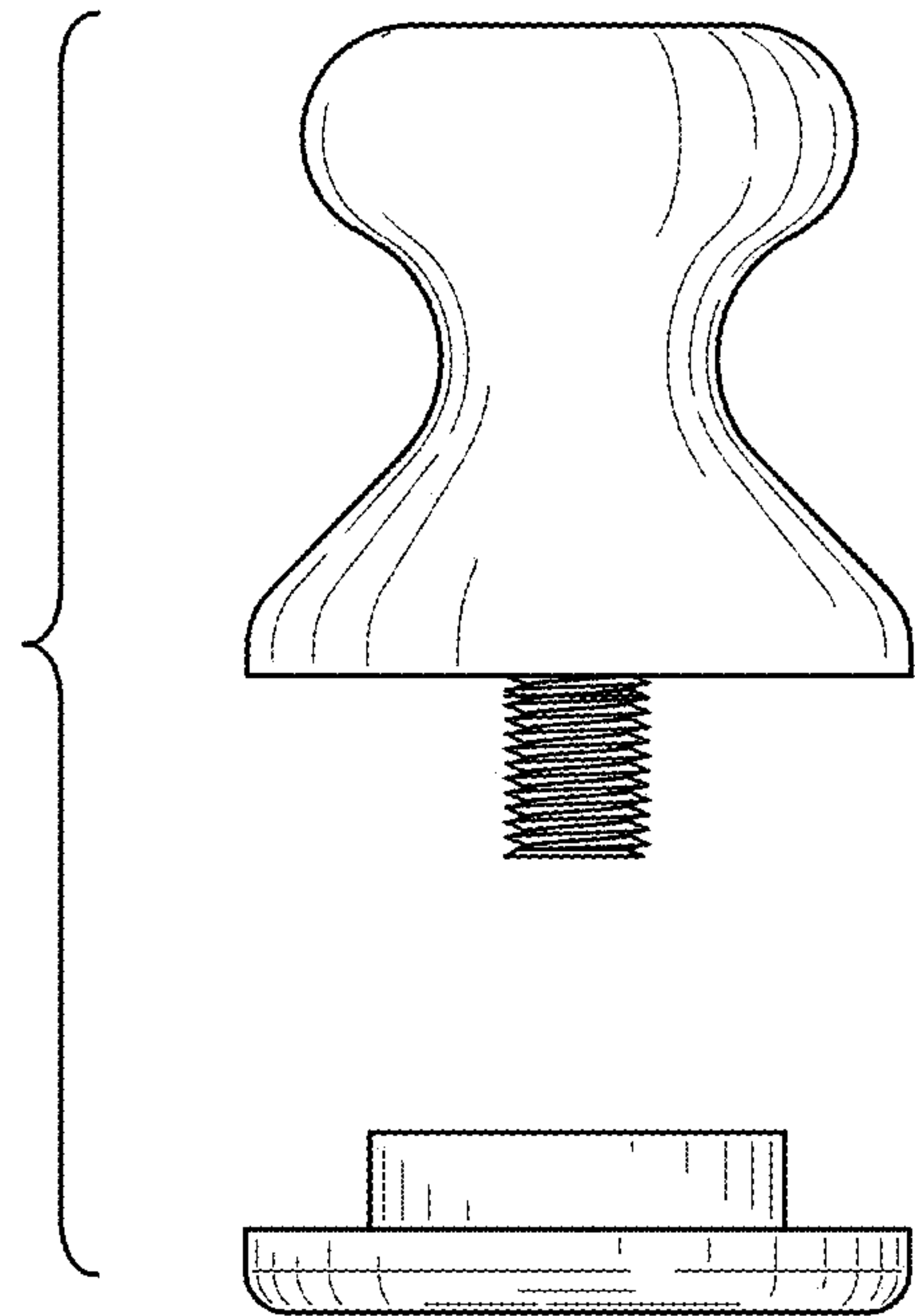


FIG. 2

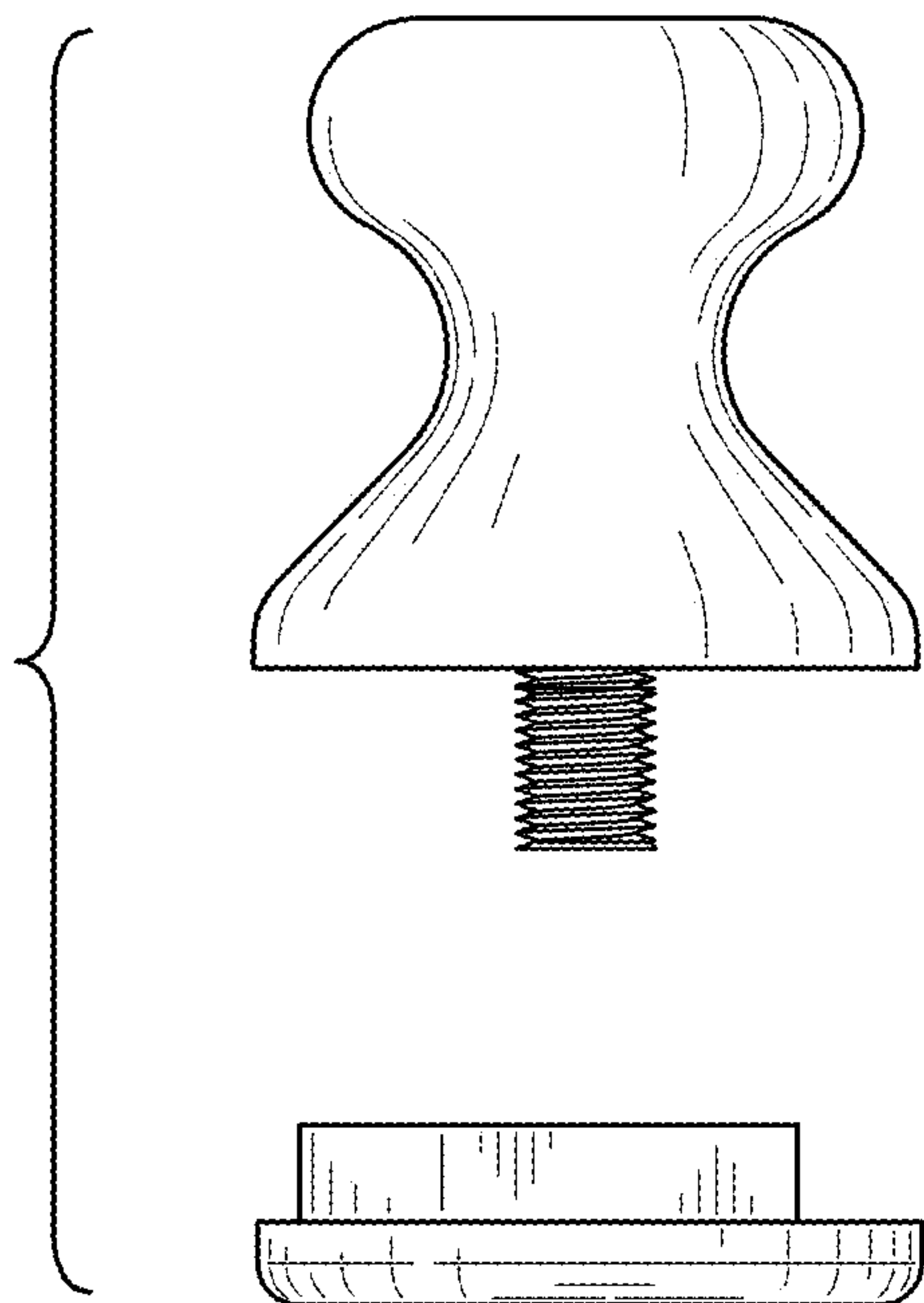


FIG. 3

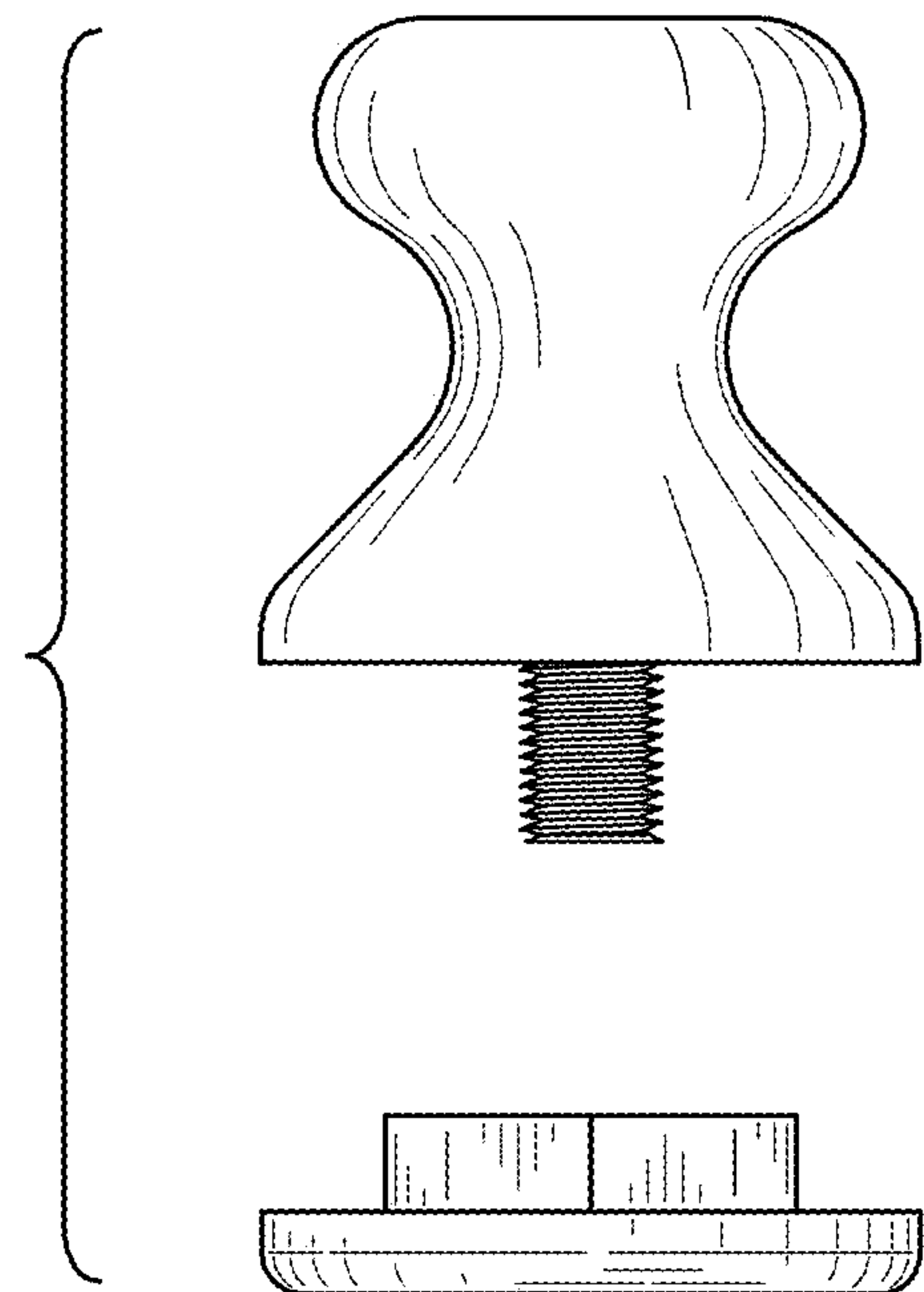


FIG. 4

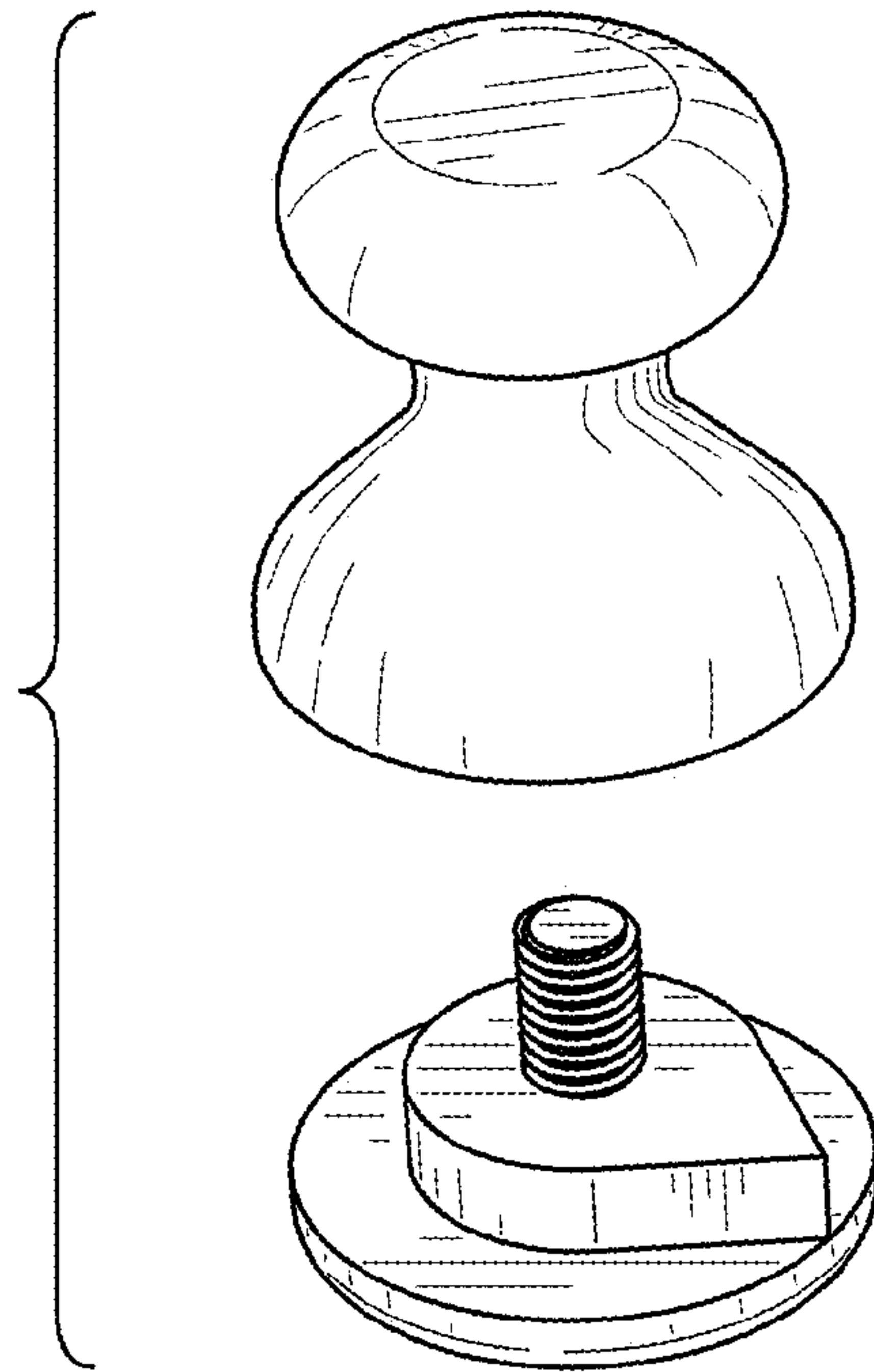


FIG. 5

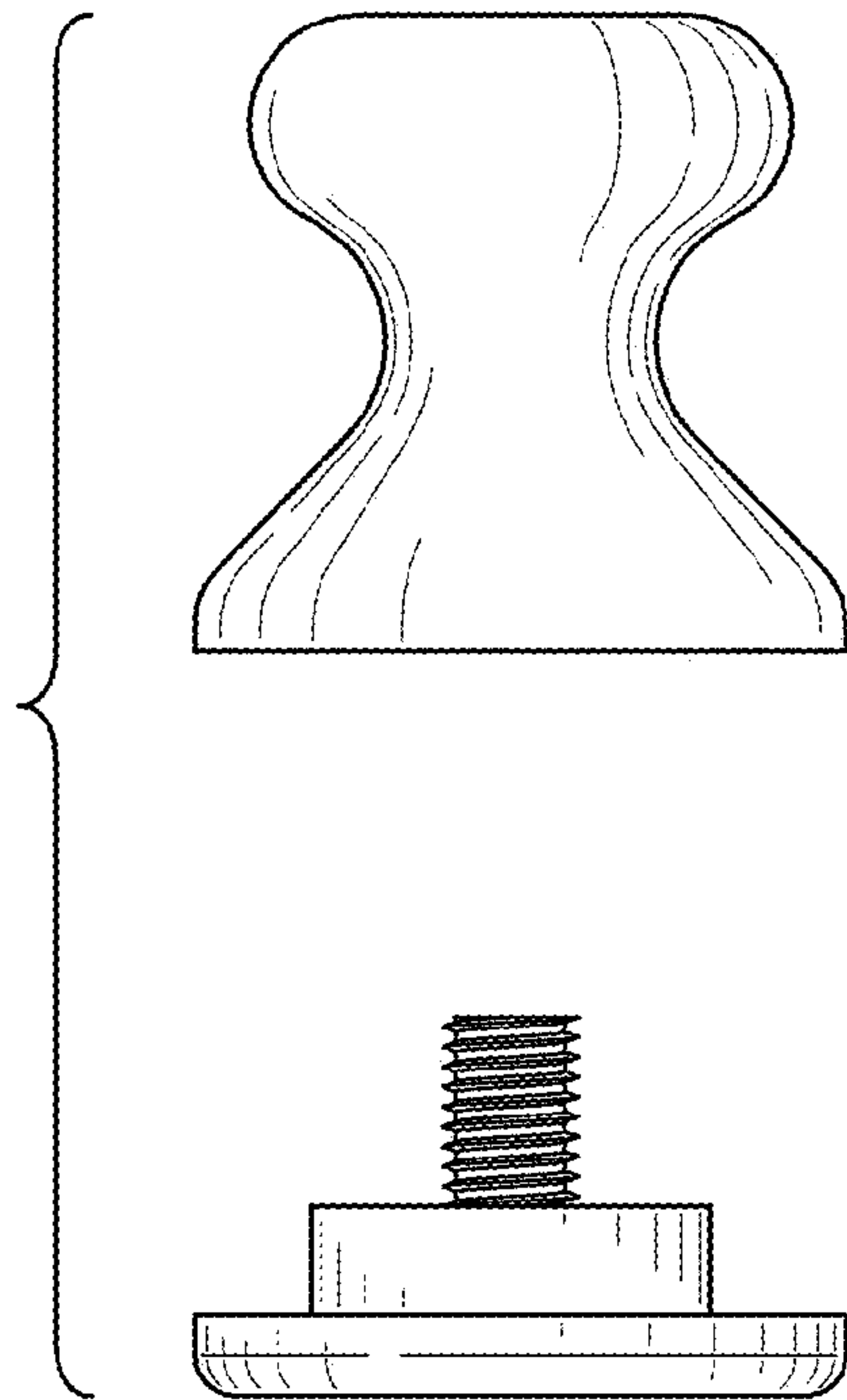


FIG. 6

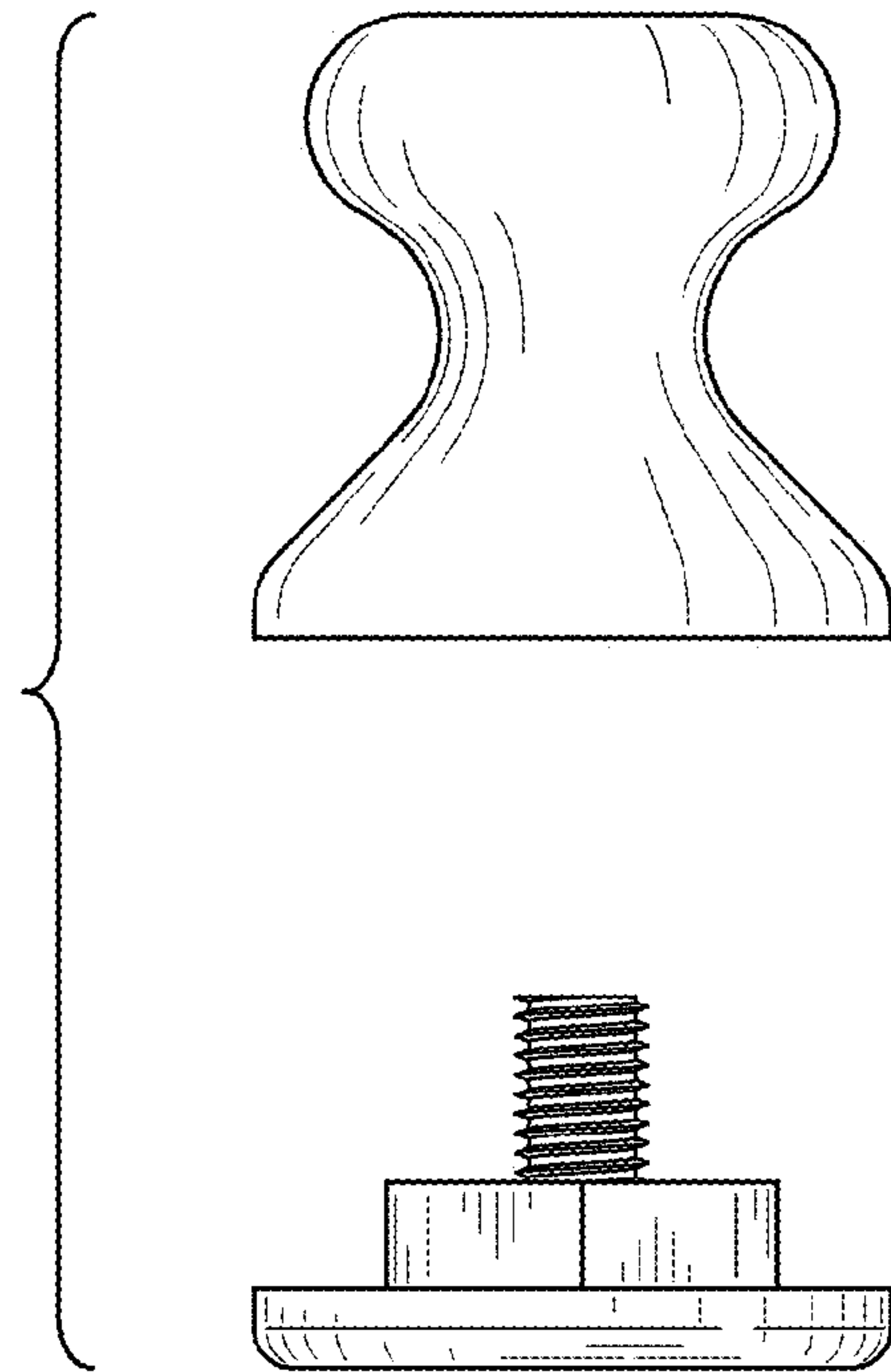


FIG. 7

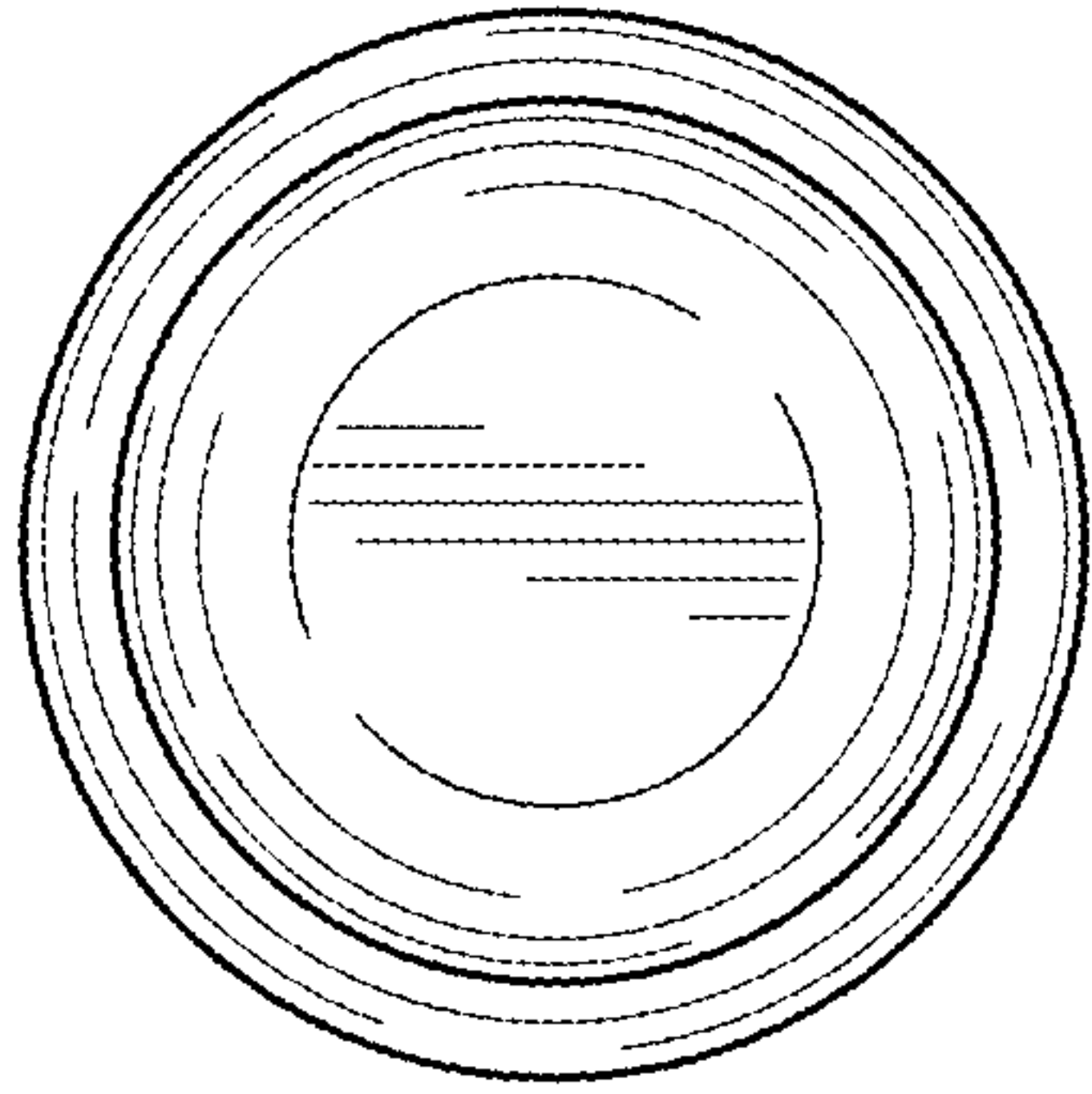


FIG. 8

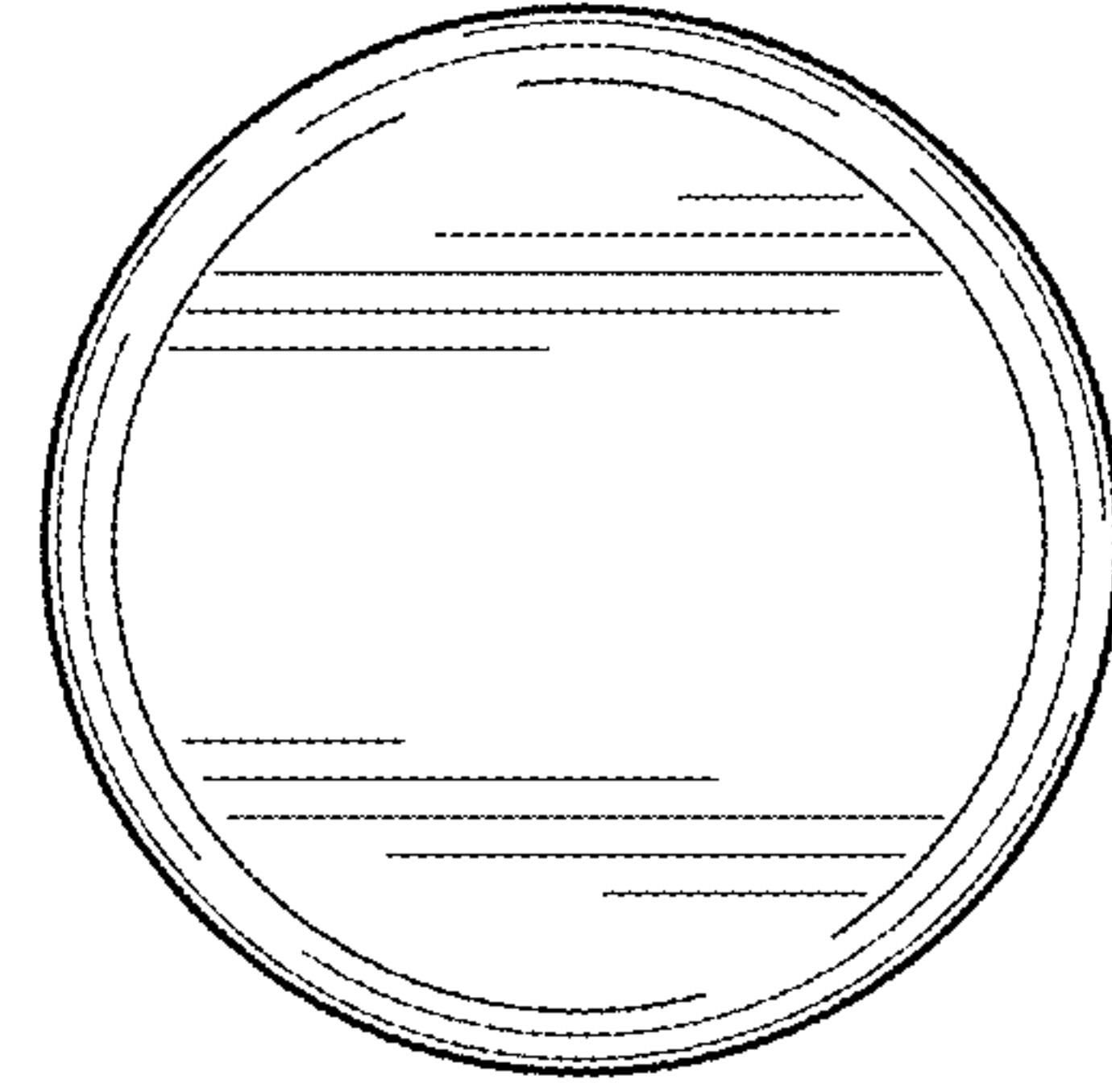


FIG. 9

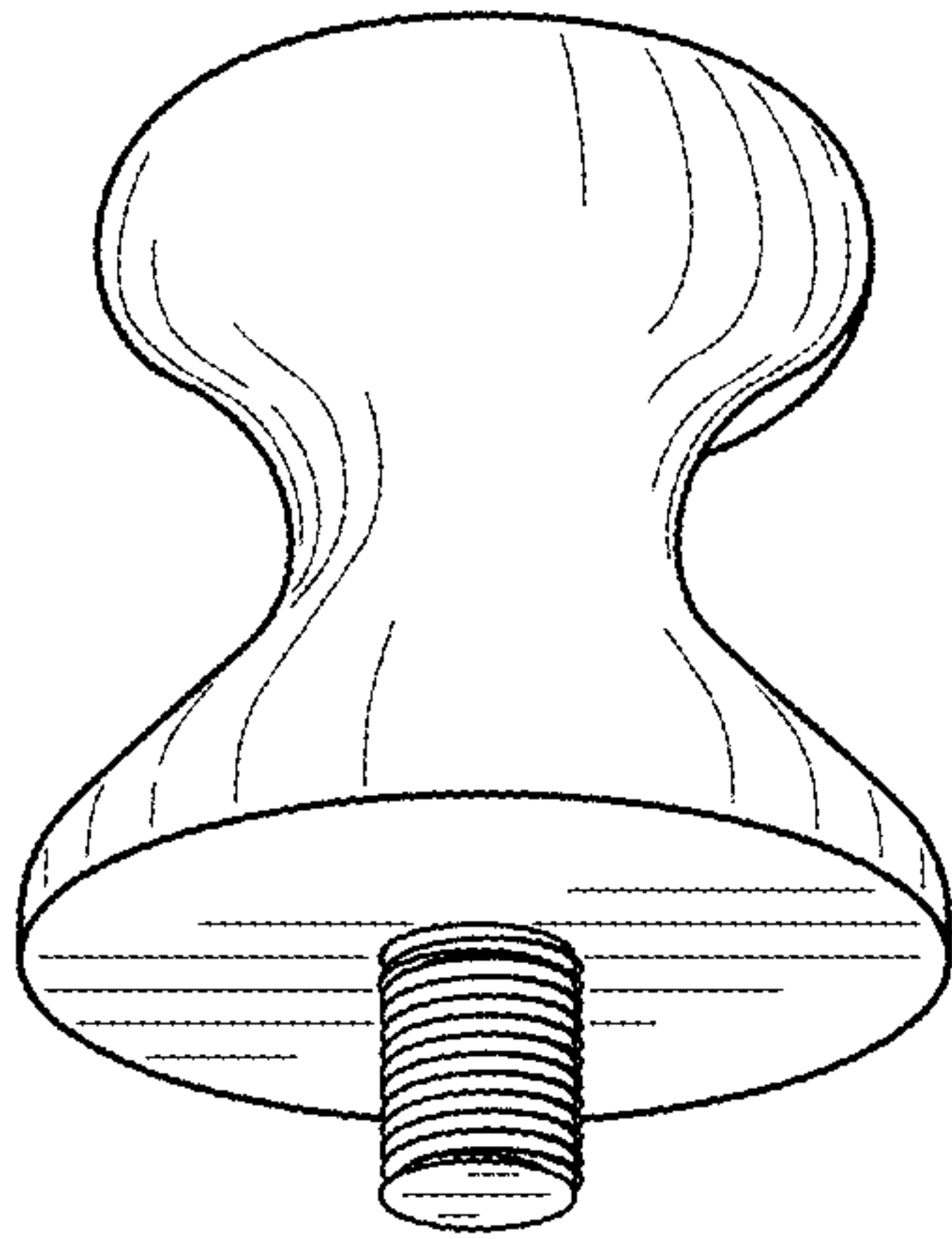


FIG. 10

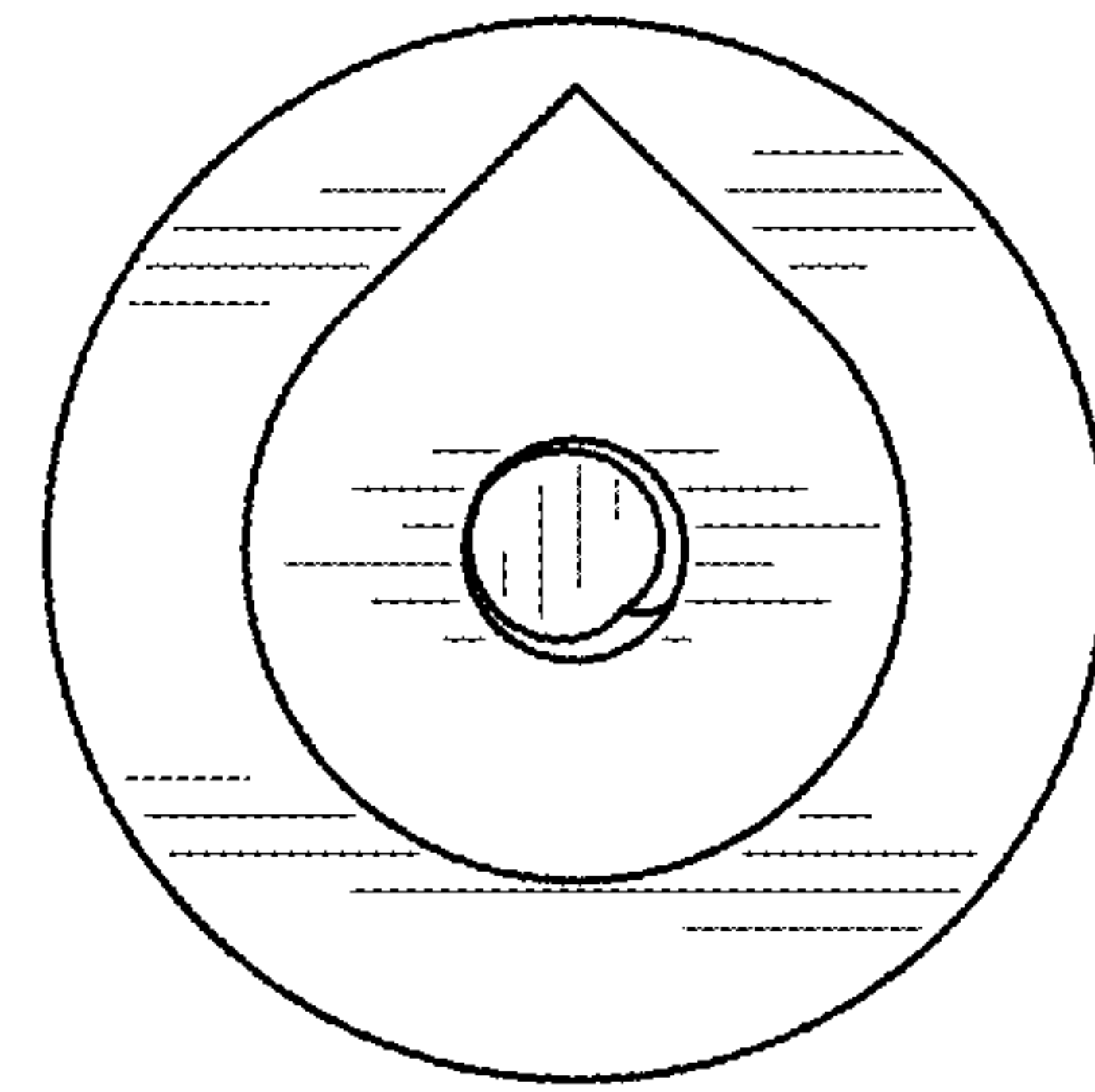


FIG. 11

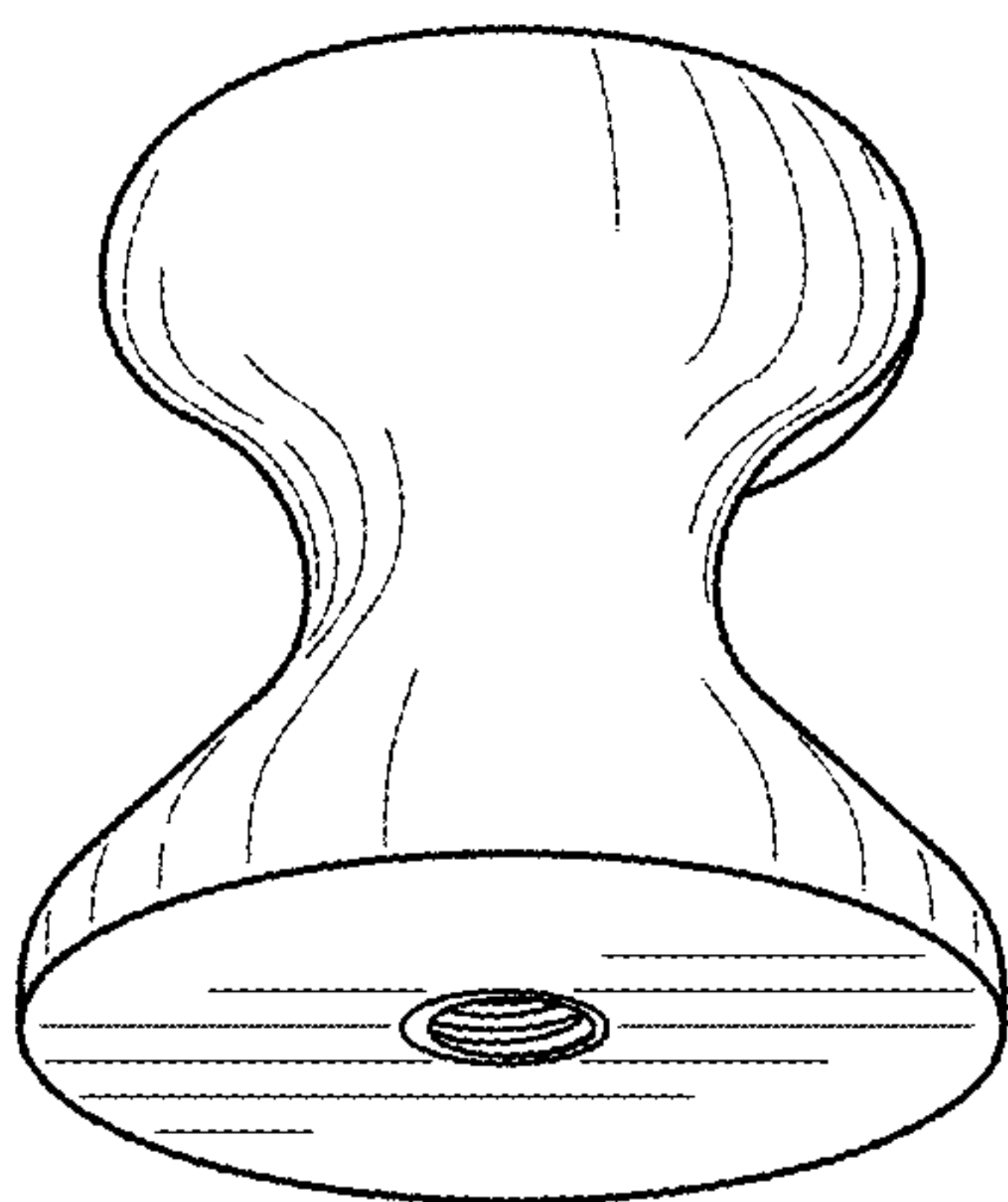


FIG. 12

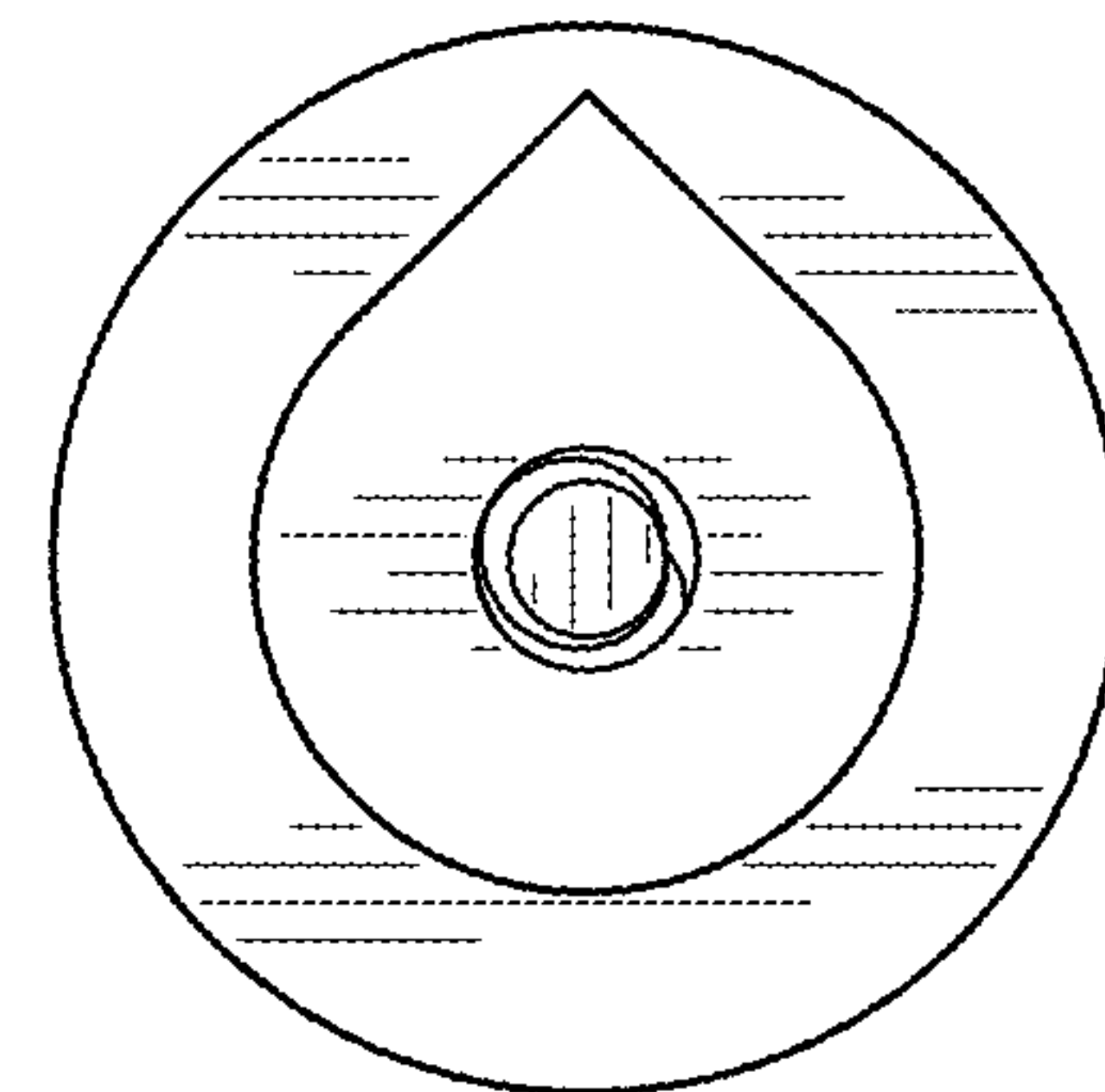


FIG. 13

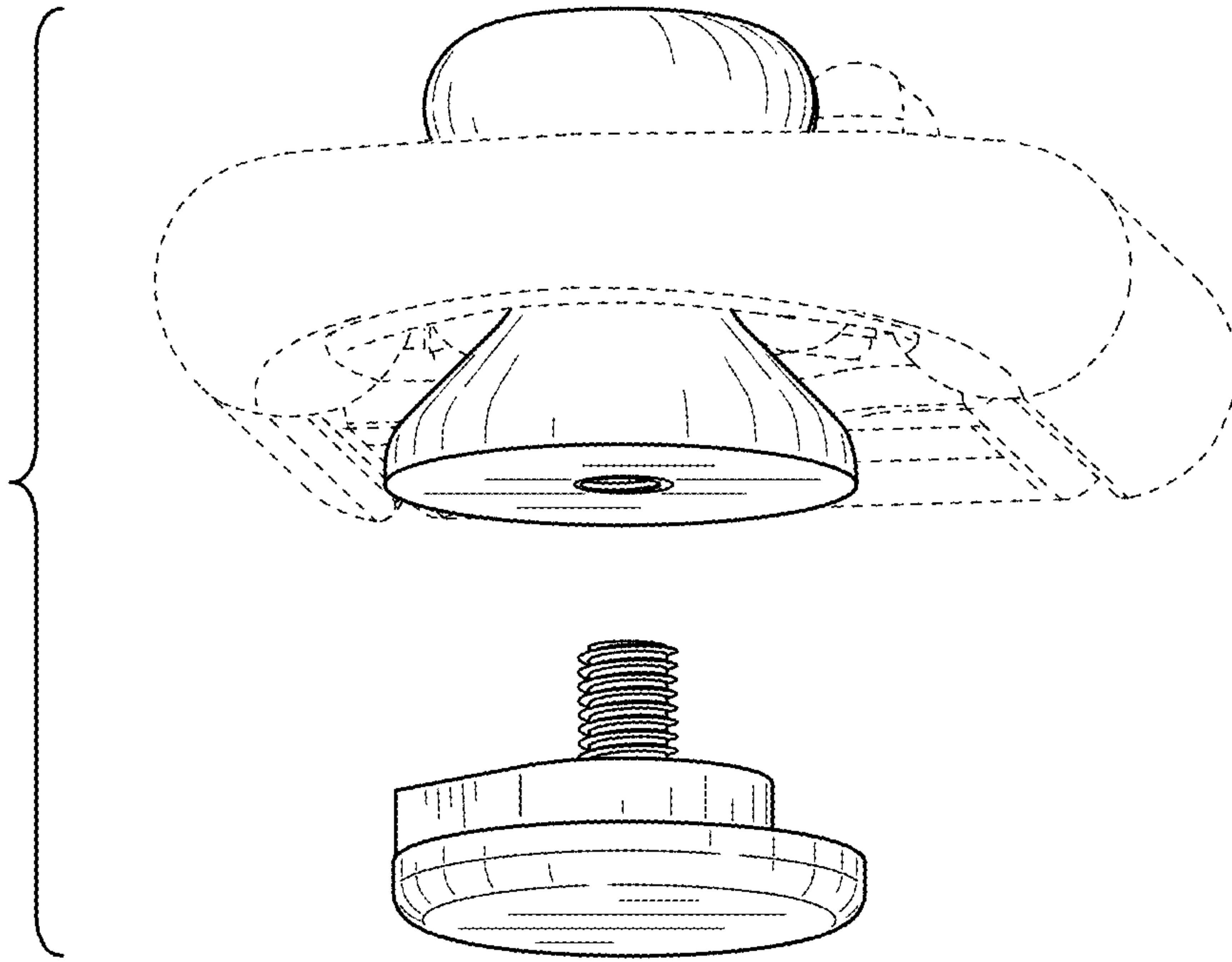


FIG. 14

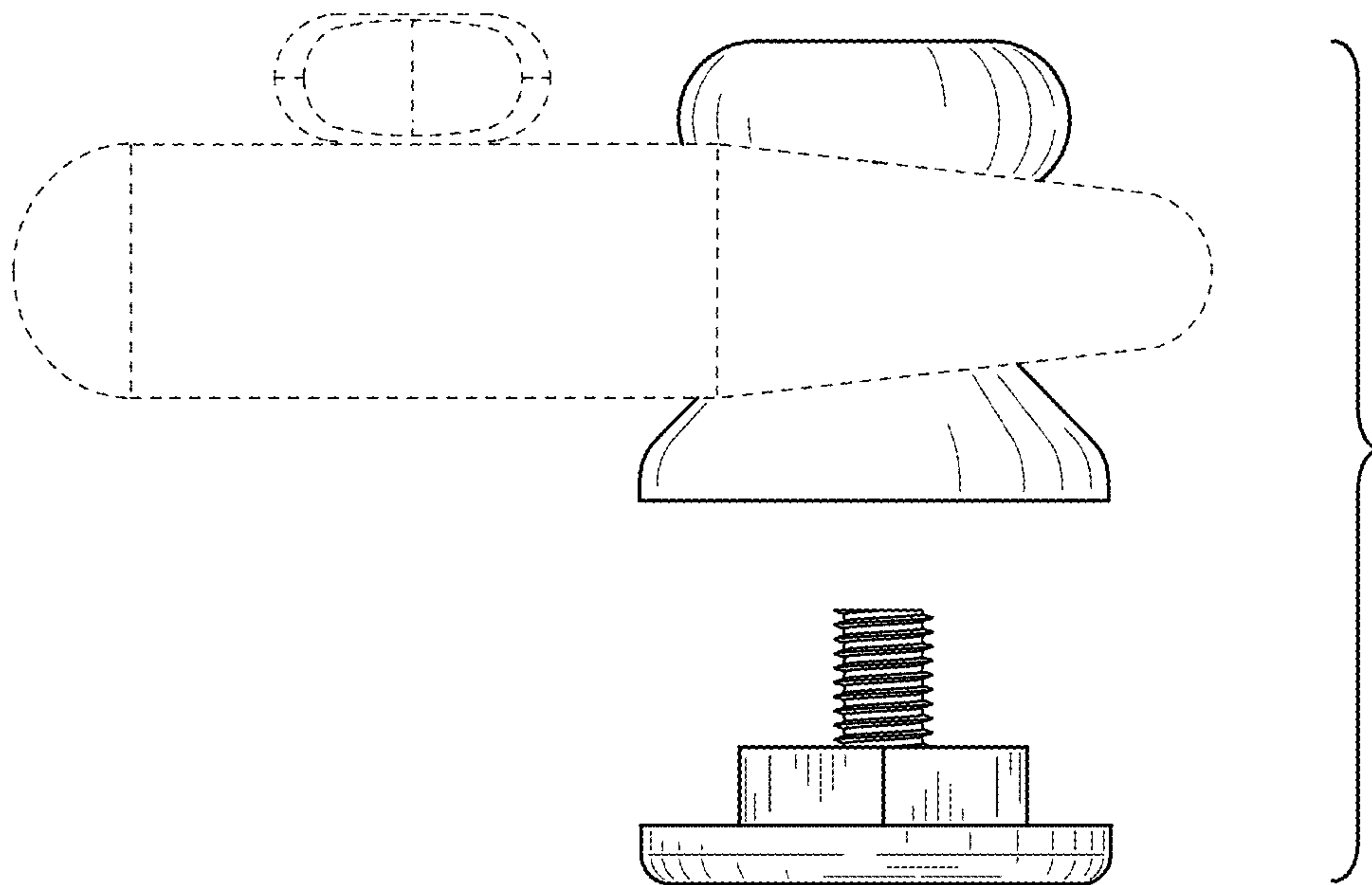


FIG. 15

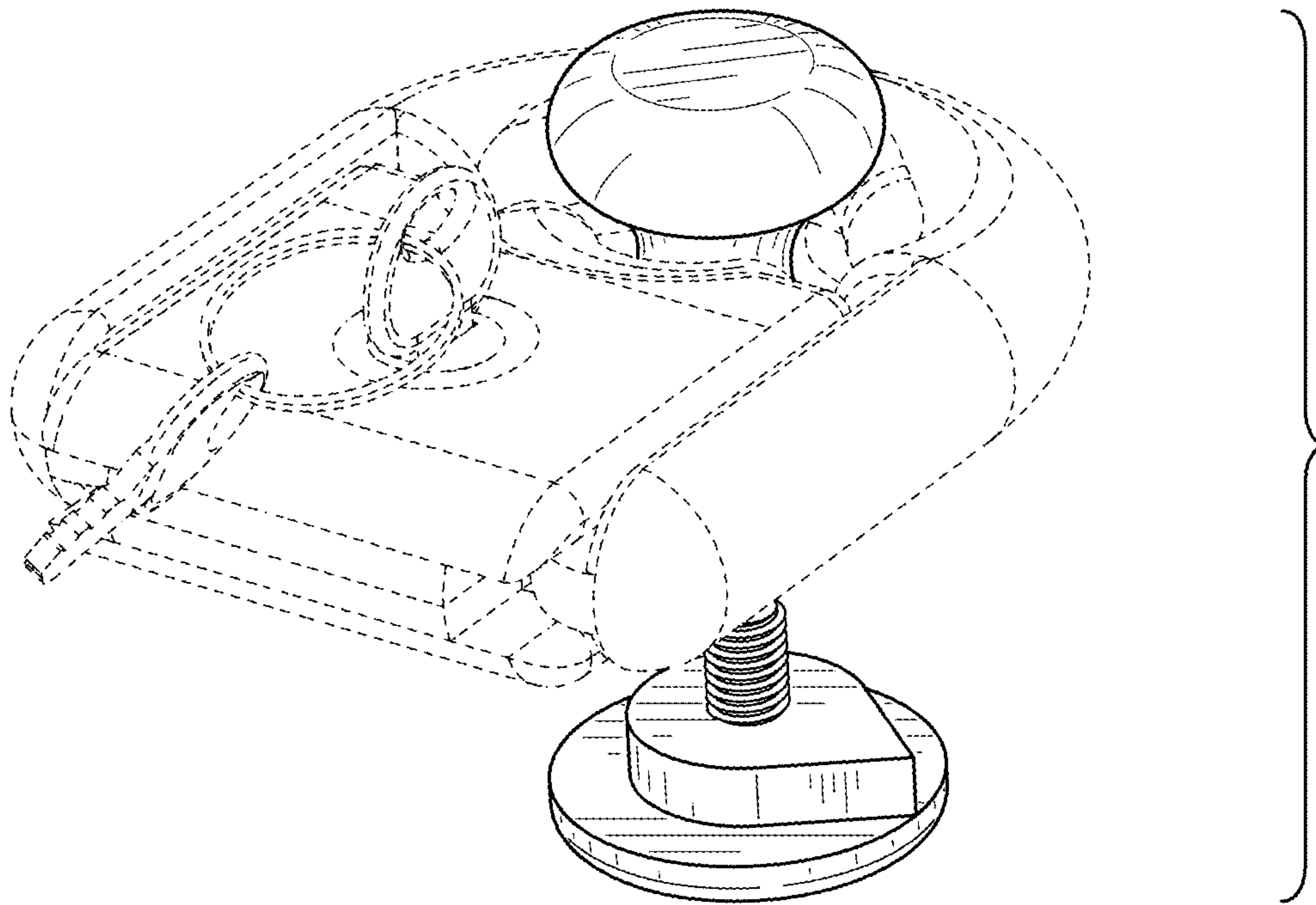


FIG. 16

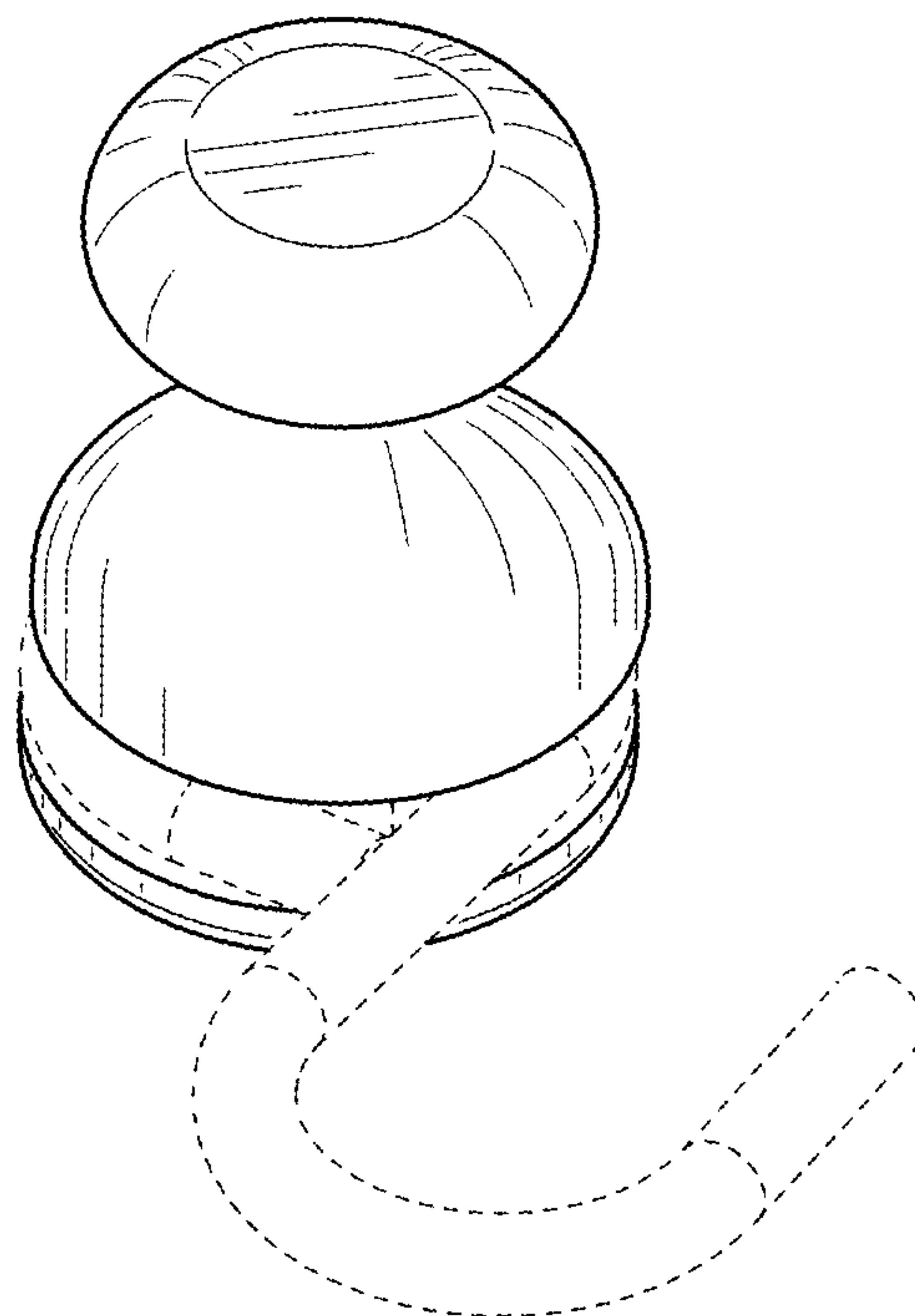


FIG. 17

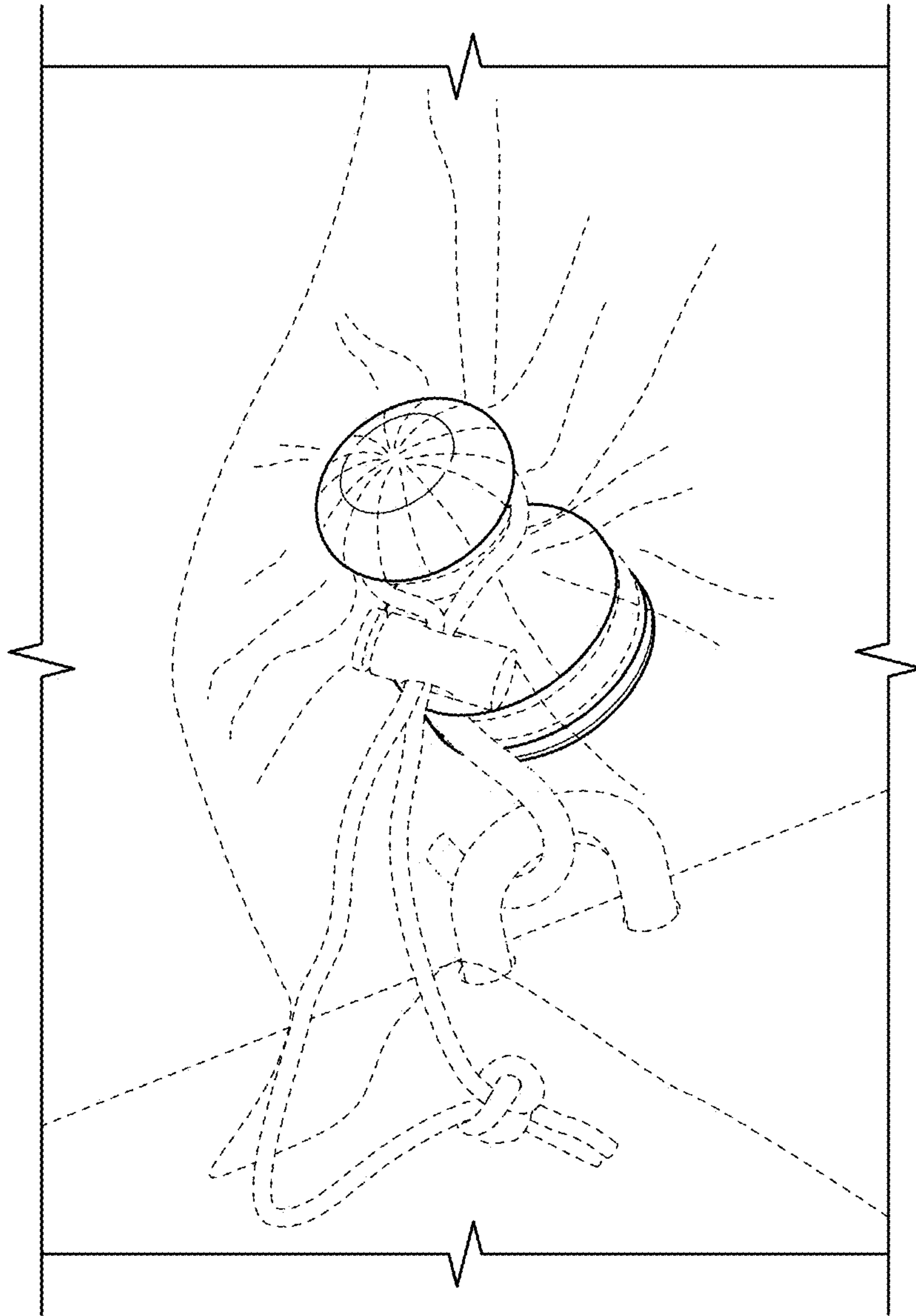


FIG. 18

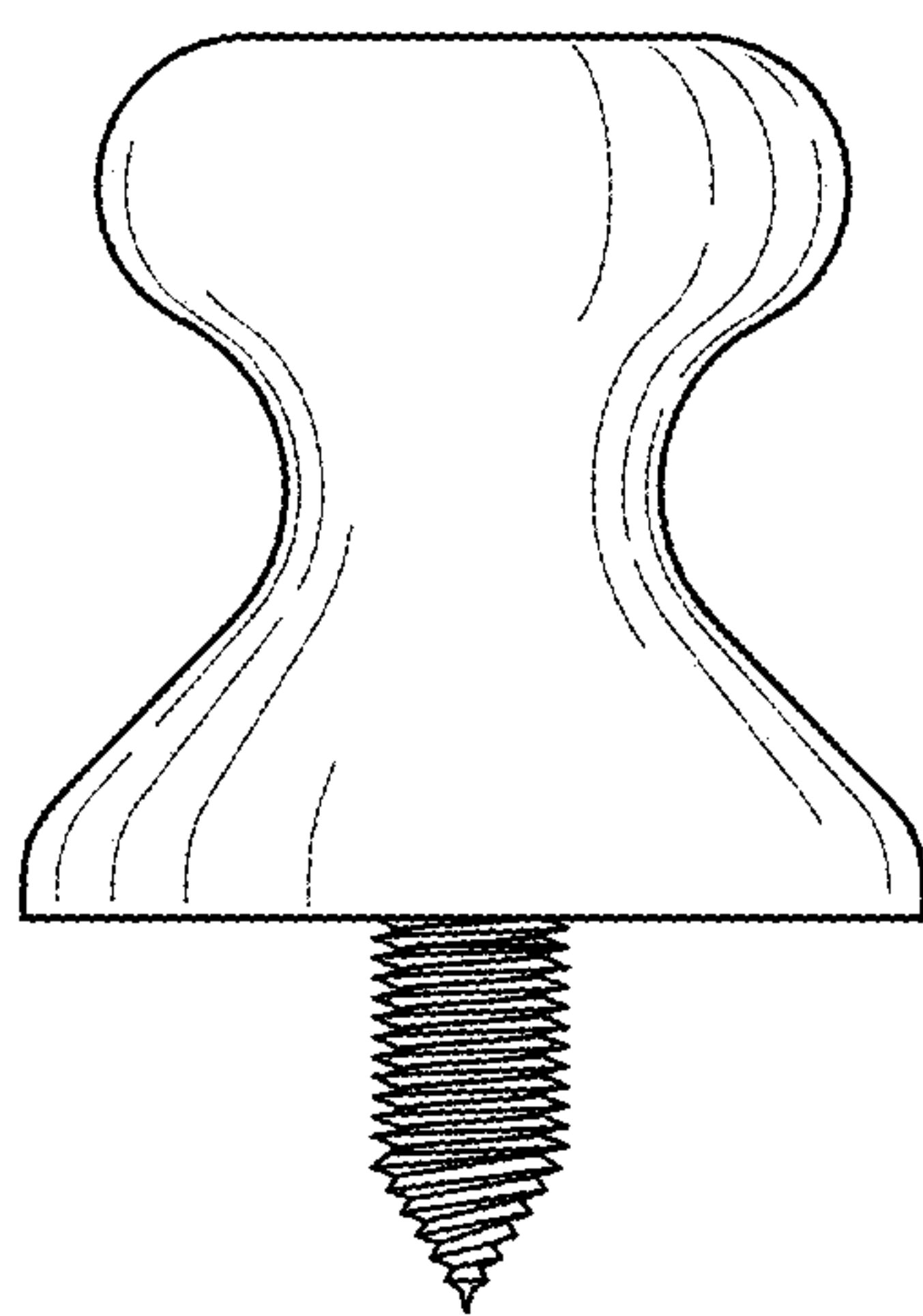


FIG. 19

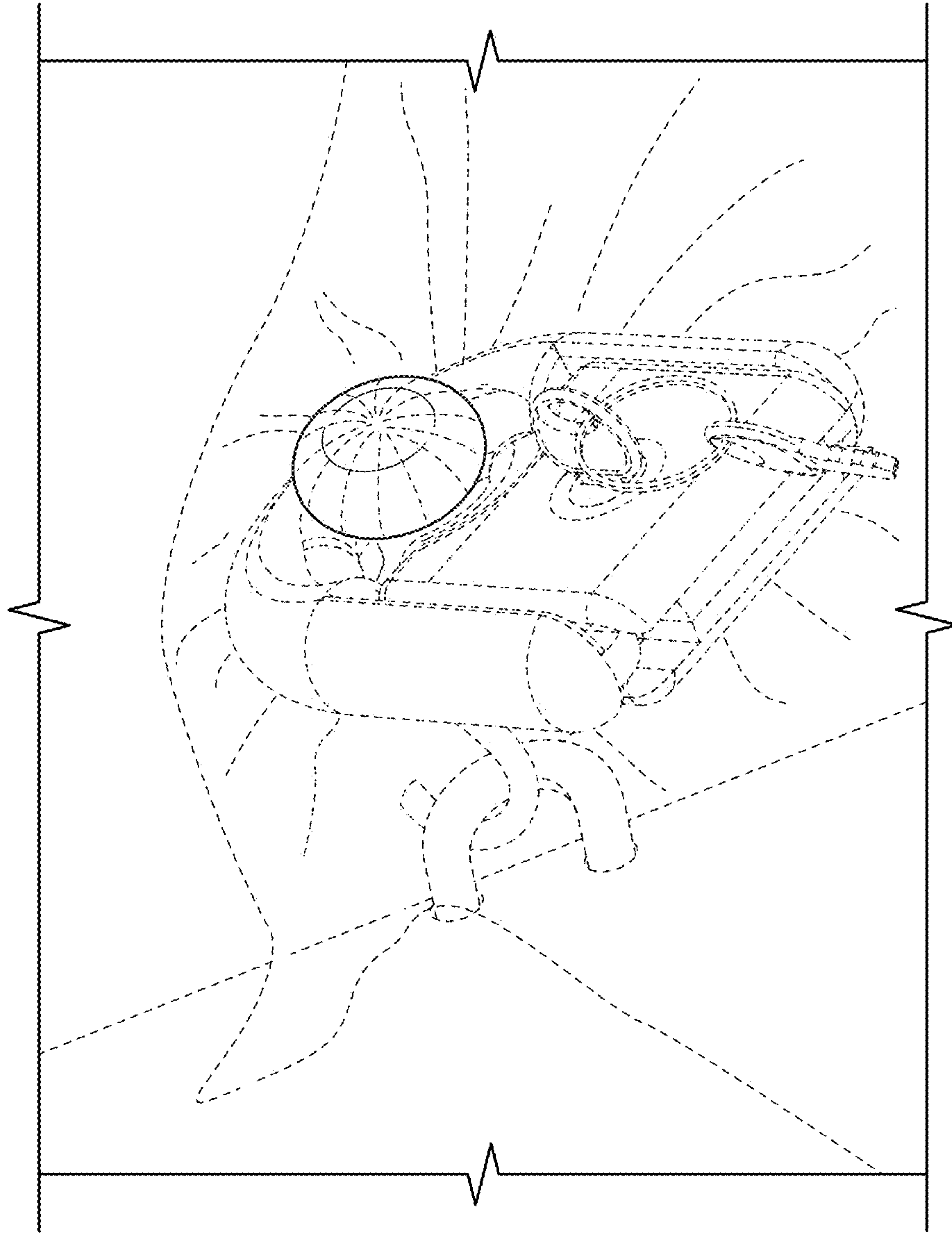


FIG . 20