



US00D911828S

(12) **United States Design Patent**
Drerup

(10) **Patent No.:** **US D911,828 S**

(45) **Date of Patent:** **** Mar. 2, 2021**

(54) **FLEX FORK WHEEL SUPPORT ASSEMBLY**

(56) **References Cited**

(71) Applicant: **Reliable Production Machining & Welding**, Kendallville, IN (US)

U.S. PATENT DOCUMENTS

(72) Inventor: **Lucas C. Drerup**, Kendallville, IN (US)

D556,552 S	*	12/2007	Salway	D8/375
D801,790 S	*	11/2017	Weber	D8/375
D830,816 S	*	10/2018	Chan	D8/375
D857,485 S	*	8/2019	Weber	D8/375

(73) Assignee: **Reliable Production Machining & Welding**, Kendallville, IN (US)

* cited by examiner

(**) Term: **15 Years**

Primary Examiner — Eliza Z Bennett-Hattan

(21) Appl. No.: **29/665,164**

(74) *Attorney, Agent, or Firm* — Taylor IP, P.C.

(22) Filed: **Oct. 1, 2018**

(57) **CLAIM**

The ornamental design for a flex fork wheel support assembly, as shown and described.

(51) **LOC (13) Cl.** **08-05**

DESCRIPTION

(52) **U.S. Cl.**

USPC **D8/375**

(58) **Field of Classification Search**

USPC D8/375, 358, 359; D34/27; D14/484; D3/24; D22/137, 140

CPC B60B 33/0002; B60B 33/00; Y10T 16/18; Y10T 16/209; Y10T 16/216; A47L 91/06; A47C 7/006; E05D 15/0678; F16C 13/006; F16C 2326/02; F16C 33/4652; F16C 33/498; F16C 33/74; Y10S 297/04

See application file for complete search history.

FIG. 1 is a perspective view of a flex fork wheel support assembly showing my new design;
FIG. 2 is a top view thereof;
FIG. 3 is a rear view thereof;
FIG. 4 is a side view thereof, the opposite side view being substantially identical;
FIG. 5 is a bottom view thereof;
FIG. 6 is a front view thereof; and,
FIG. 7 is another perspective view.

1 Claim, 4 Drawing Sheets

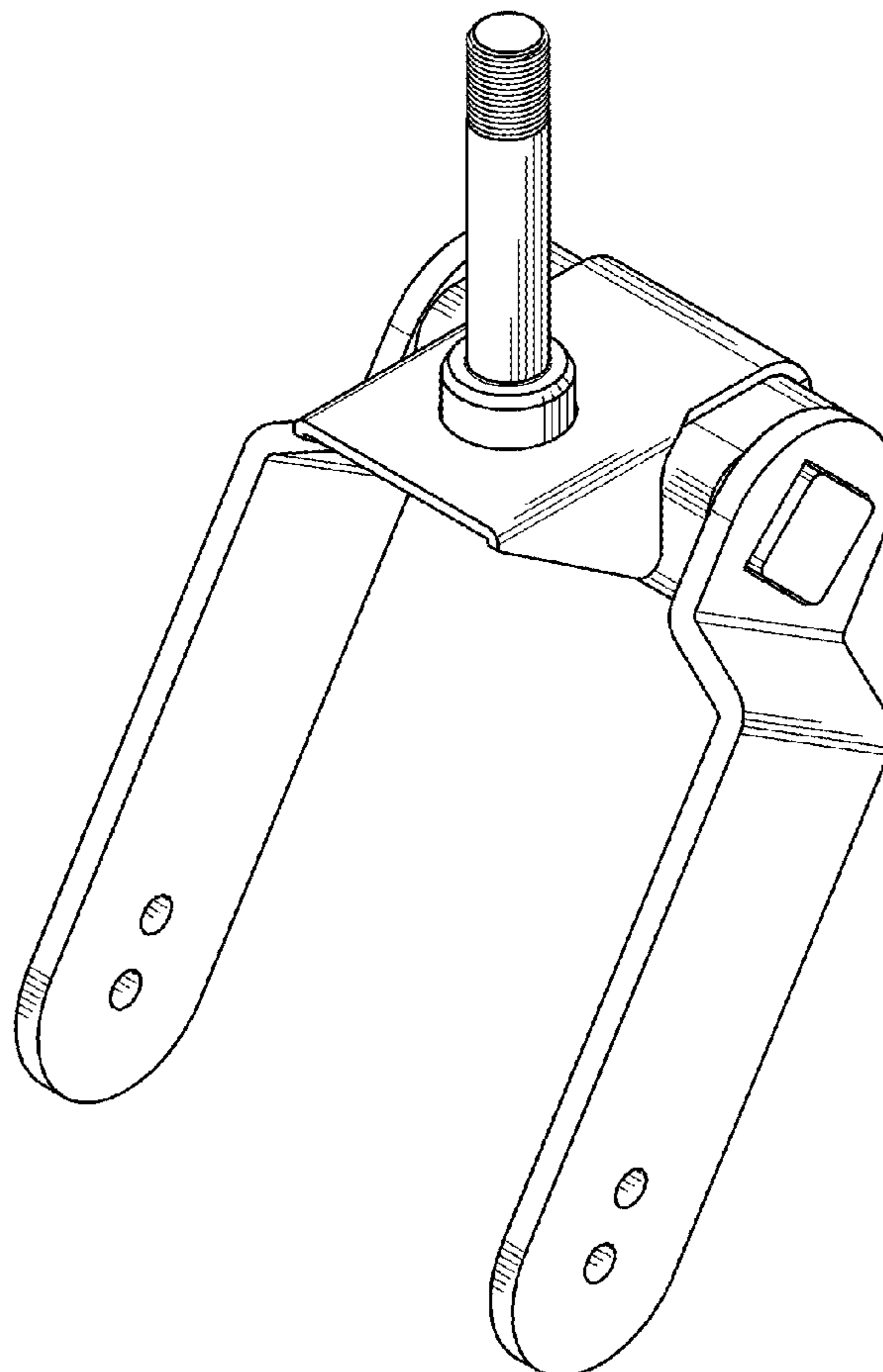


FIG. 1

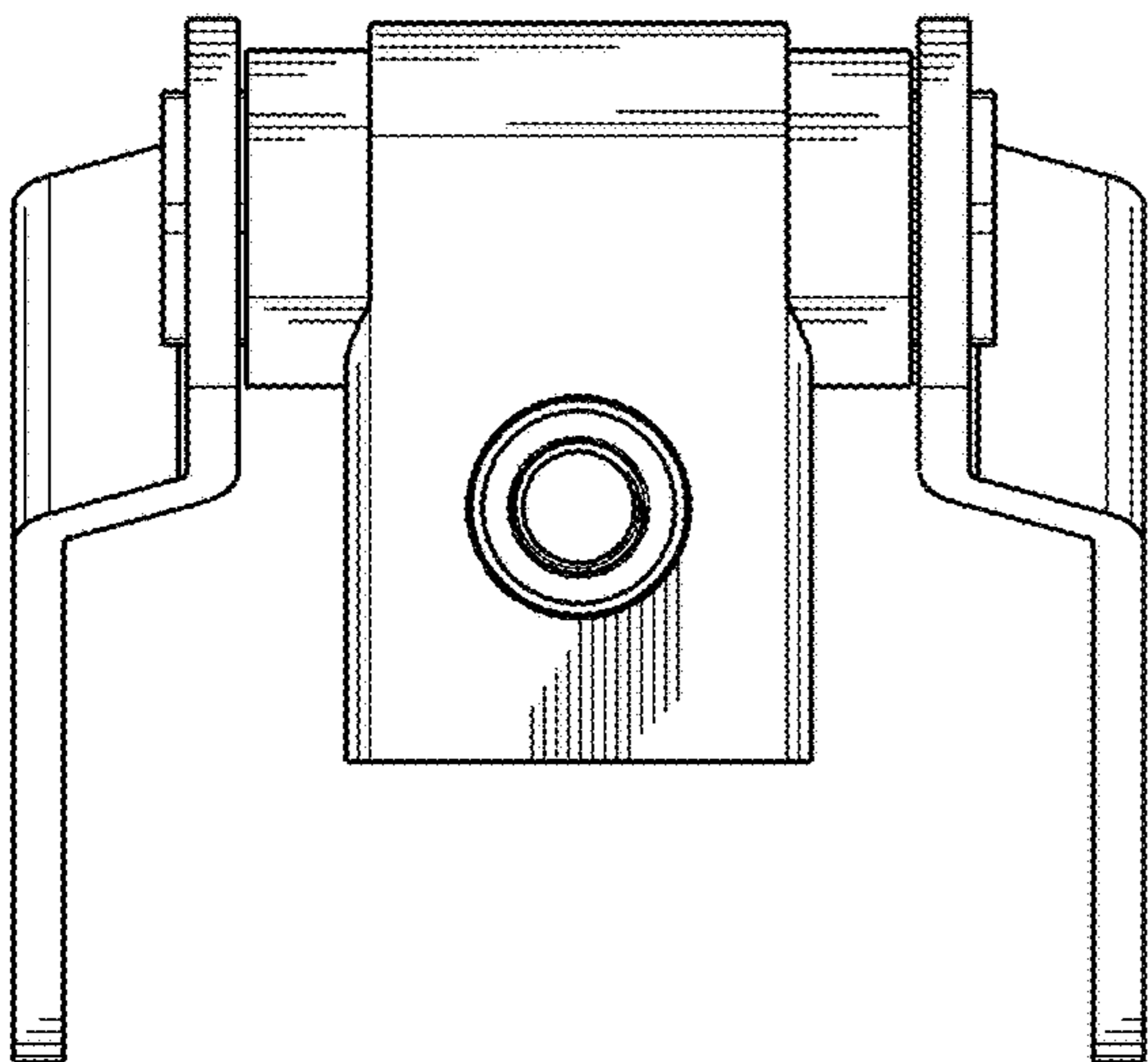
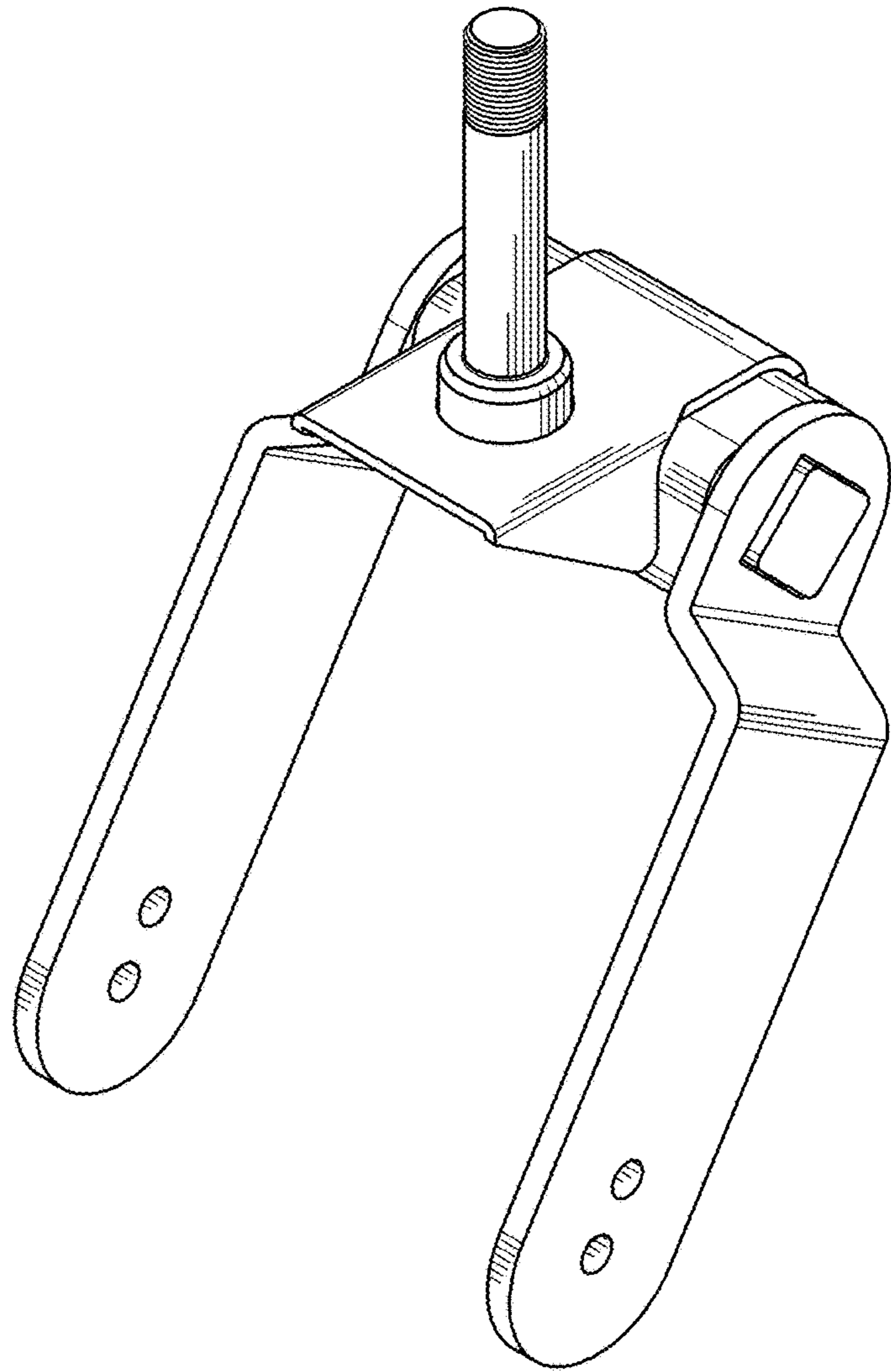


FIG. 2

FIG. 3

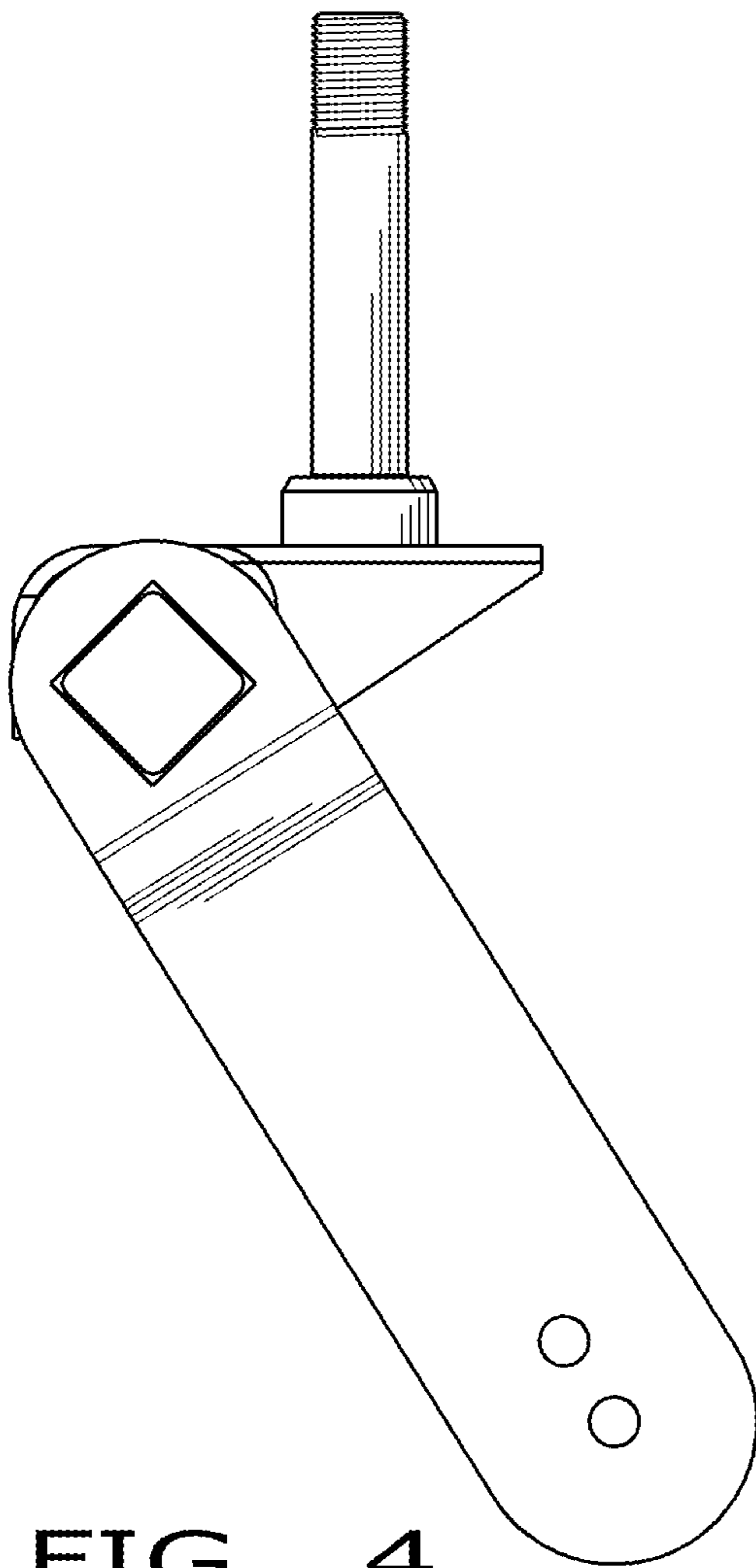
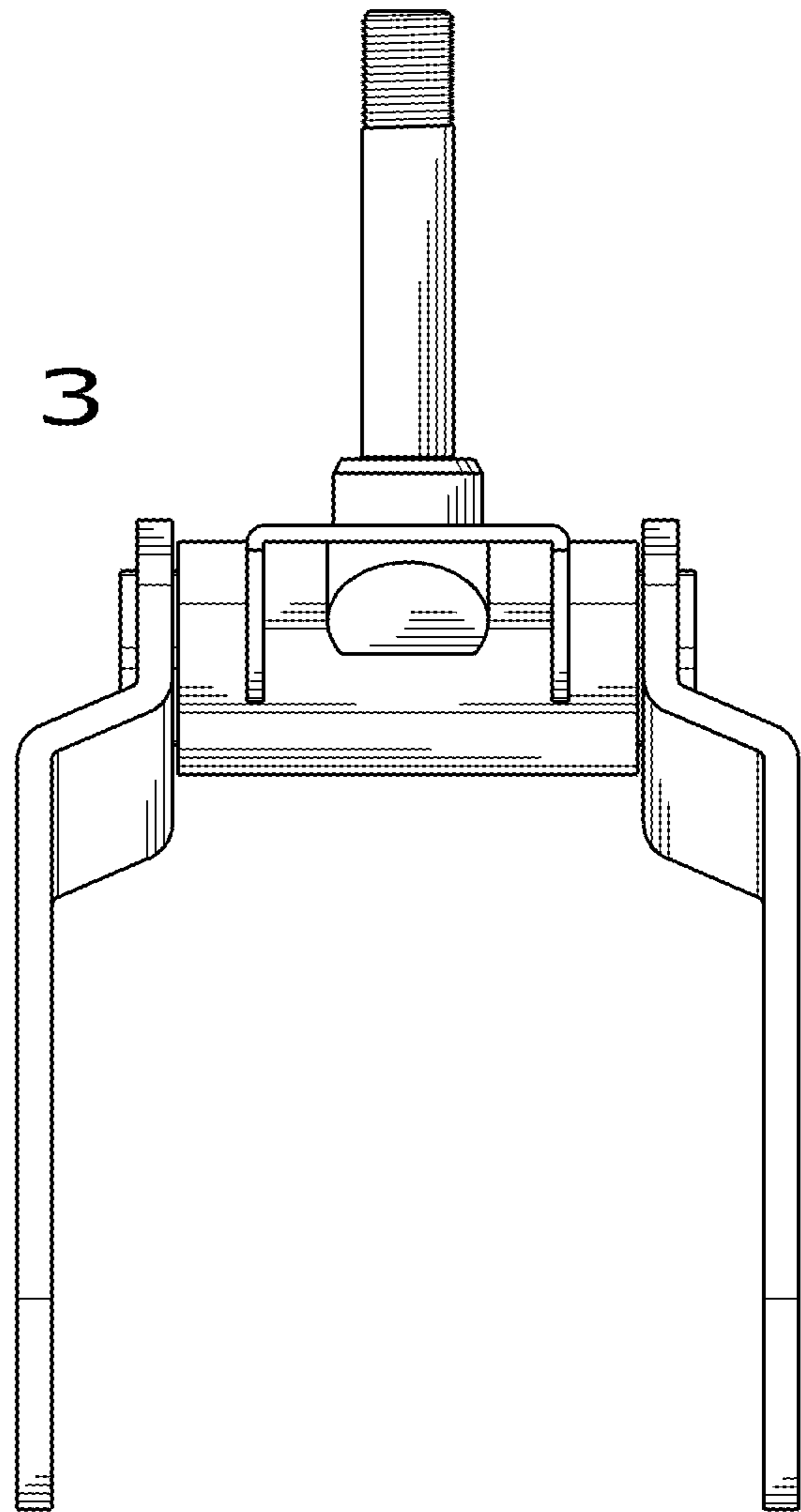


FIG. 4

FIG. 5

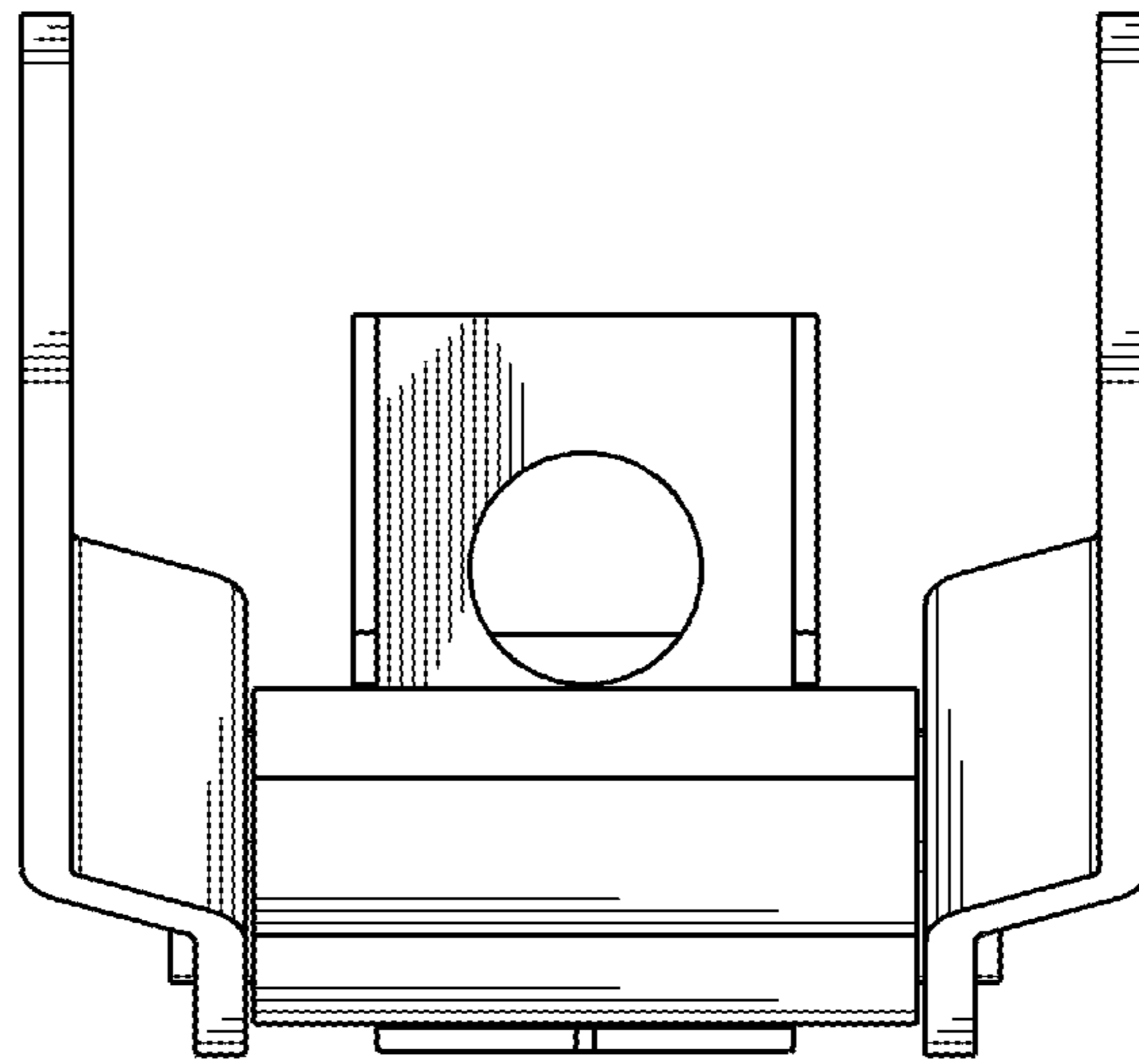
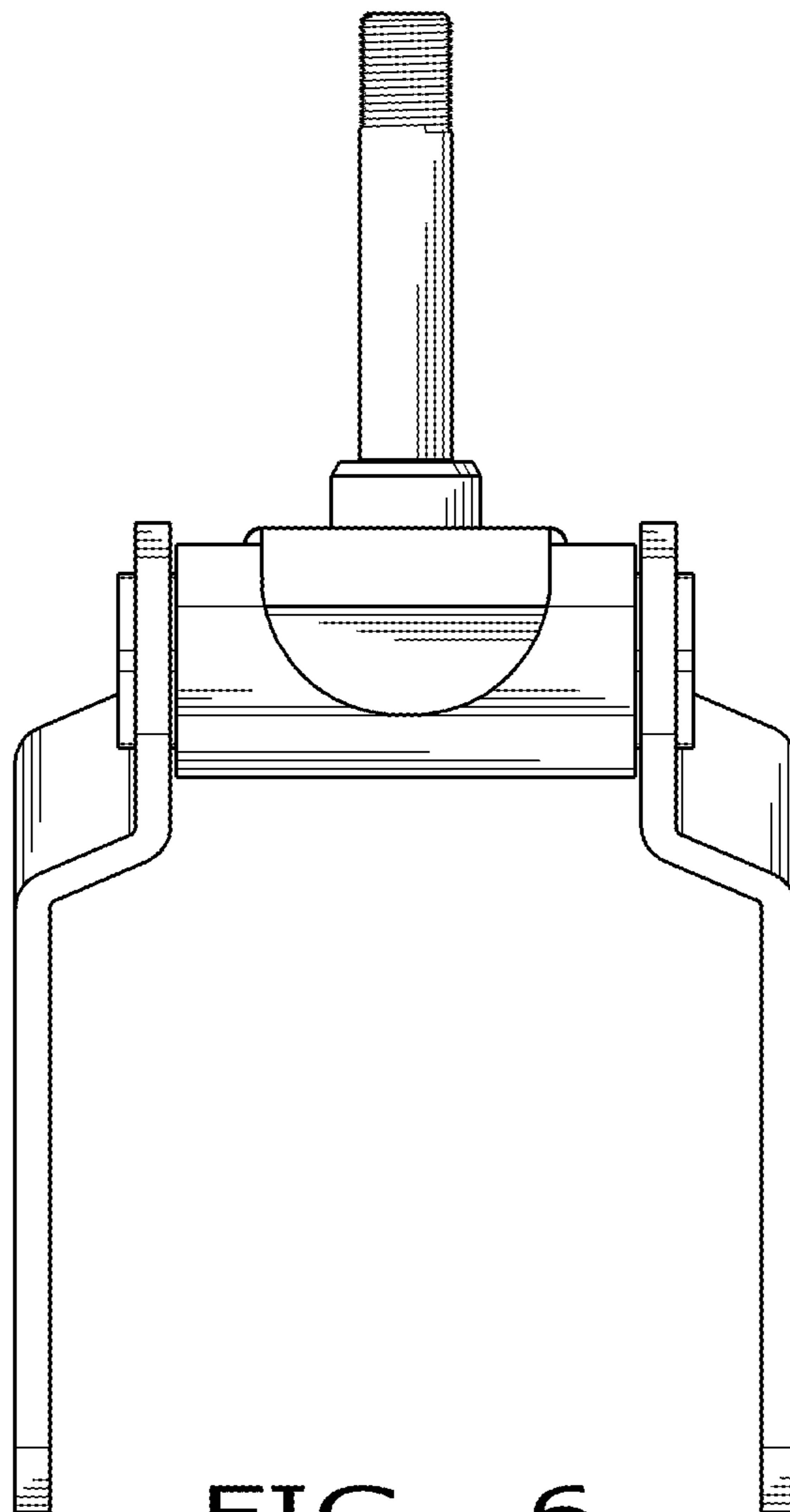


FIG. 6



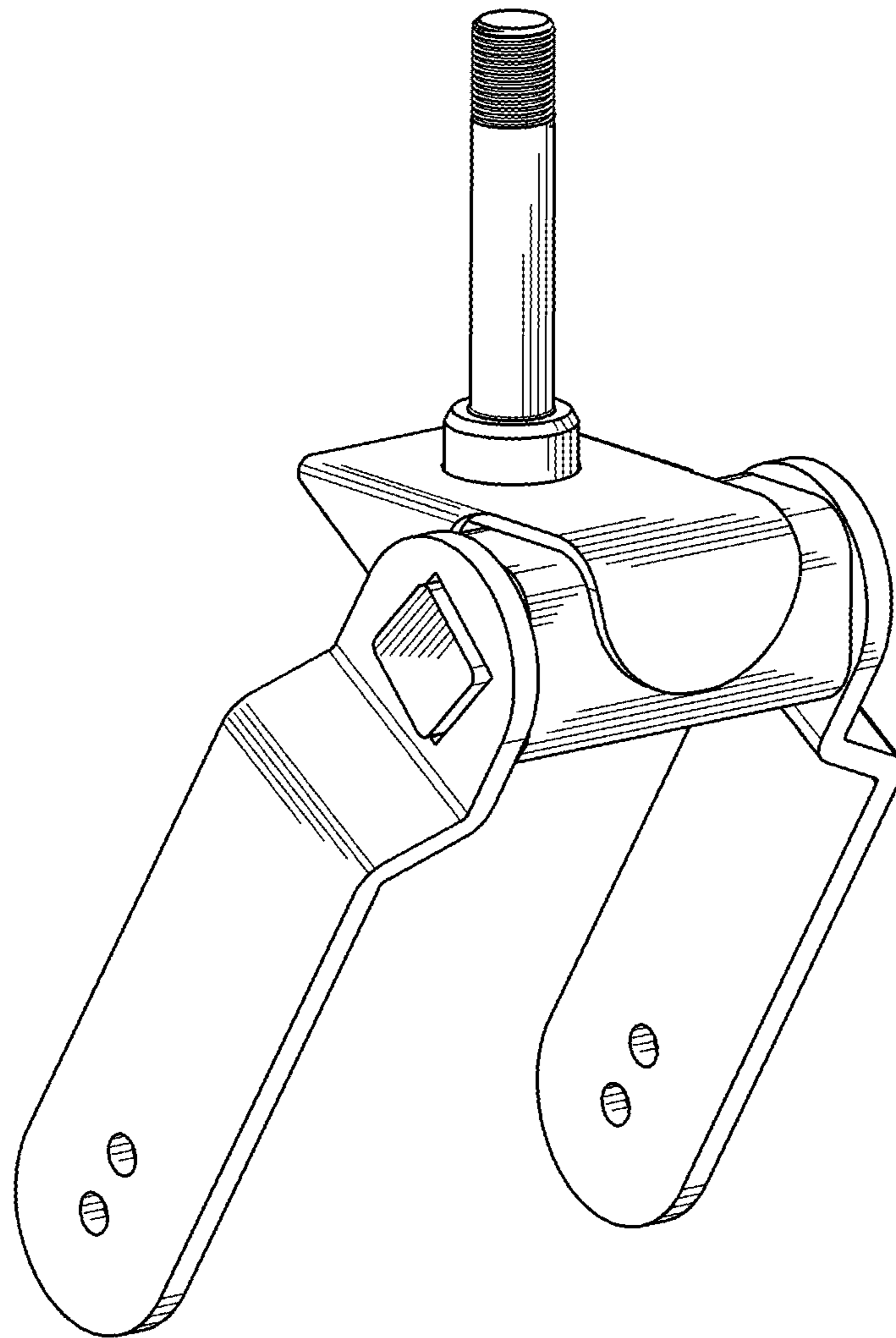


FIG. 7