



US00D911826S

(12) **United States Design Patent**
Maynard

(10) **Patent No.:** **US D911,826 S**
(45) **Date of Patent:** **** Mar. 2, 2021**

(54) **CORD HOLDER**

(71) Applicant: **Bobby Maynard**, Burnet, TX (US)

(72) Inventor: **Bobby Maynard**, Burnet, TX (US)

(**) Term: **15 Years**

(21) Appl. No.: **29/710,135**

(22) Filed: **Oct. 21, 2019**

(51) **LOC (13) Cl.** **08-05**

(52) **U.S. Cl.**
USPC **D8/367**

(58) **Field of Classification Search**
USPC D8/367, 354, 349, 356, 395; D12/162;
224/248, 268, 904

CPC ... A47G 29/083; F16B 45/00; A63B 21/0557;
B60P 7/0823

See application file for complete search history.

(56) **References Cited**

U.S. PATENT DOCUMENTS

D281,950 S *	12/1985	Sachs	D8/370
D283,787 S *	5/1986	Chap	D8/370
4,714,221 A *	12/1987	Cawrey	A47F 5/0823
				248/220.42
5,176,302 A *	1/1993	Smith	B44D 3/14
				224/672
D373,072 S *	8/1996	Durante	D8/367
D404,127 S *	1/1999	Lammers	D24/141
5,996,955 A *	12/1999	Chen	F16B 12/32
				248/249
D422,888 S *	4/2000	Outten	D8/367
6,336,578 B1	1/2002	Maynard		
D458,116 S *	6/2002	Roethler	D8/367
D489,963 S *	5/2004	Mazooji et al.	D8/370
D499,956 S *	12/2004	Wall	D8/370
D504,934 S *	5/2005	Amburgey	D22/149
D532,074 S *	11/2006	Travis, Sr.	D22/149

D546,147 S *	7/2007	Cullen	D8/16
D552,980 S *	10/2007	Svedberg	D8/395
D554,980 S *	11/2007	Mihelis	D8/356
D566,538 S *	4/2008	Wrase	D8/395
D585,266 S *	1/2009	Meyers	D8/370
7,494,095 B2 *	2/2009	Walker et al.	248/48.2
D587,470 S *	3/2009	Croisdale	D6/317
D599,646 S *	9/2009	Meyers	D8/370
D600,102 S *	9/2009	Larkin	D8/370
7,677,504 B2 *	3/2010	Hutchinson	E04D 13/076
				248/48.2
7,757,996 B2 *	7/2010	Jacobs	248/64
7,823,852 B1 *	11/2010	Reno	248/302
D629,291 S *	12/2010	Veilleux	D8/370
D631,332 S *	1/2011	Bauer et al.	D8/367
D632,952 S *	2/2011	Dablemont	D8/367
D644,088 S *	8/2011	Gallaty	D8/354
D648,208 S *	11/2011	Platt	D8/367

(Continued)

Primary Examiner — Cynthia R Underwood
(74) *Attorney, Agent, or Firm* — Pierson Intellectual Property LLC

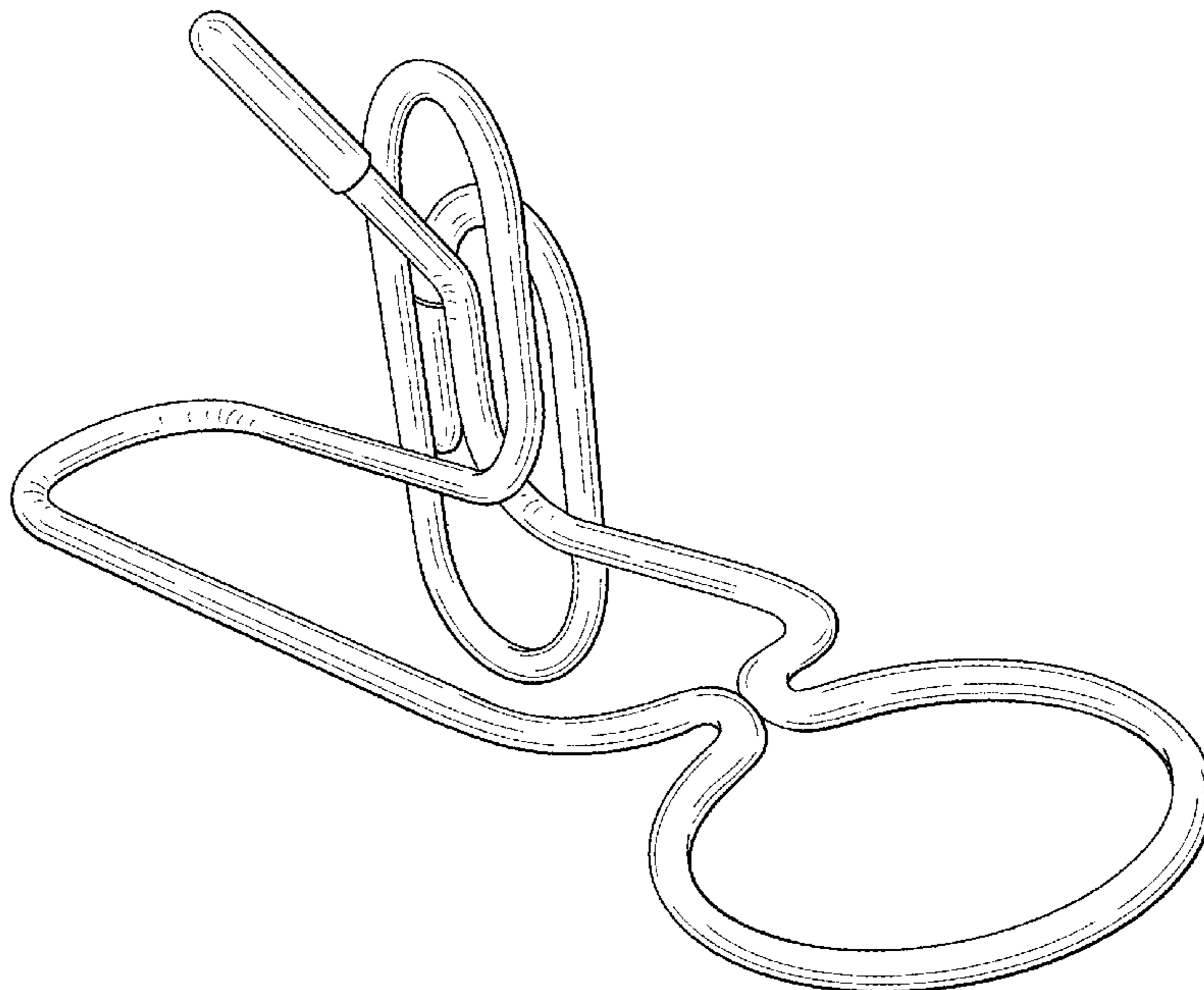
(57) **CLAIM**

The ornamental design for a cord holder, as shown and described.

DESCRIPTION

FIG. 1 is a perspective view of a cord holder showing part of our new design thereof;
FIG. 2 is a front view of the cord holder shown in FIG. 1;
FIG. 3 is a rear view of the cord holder shown in FIG. 1;
FIG. 4 is a first side view of the cord holder shown in FIG. 1;
FIG. 5 is a second side view of the cord holder shown in FIG. 1;
FIG. 6 is a top view of the cord holder shown in FIG. 1; and,
FIG. 7 is a bottom view of the cord holder shown in FIG. 1.

1 Claim, 6 Drawing Sheets



(56)

References Cited

U.S. PATENT DOCUMENTS

8,162,361 B2 * 4/2012 Biddington F24B 15/002
294/14
D661,574 S * 6/2012 Platt D8/367
D668,938 S * 10/2012 Morales D8/367
D672,227 S * 12/2012 Hendricks D8/394
D673,031 S * 12/2012 Hendricks D8/394
D679,095 S * 4/2013 Williams D3/328
D687,291 S * 8/2013 Hendricks D8/394
D698,105 S * 1/2014 Huster D30/199
D699,556 S * 2/2014 Hendricks D8/394
D753,984 S * 4/2016 Combs D8/354
D801,157 S * 10/2017 Turbenson D8/367
D801,158 S * 10/2017 Turbenson D8/367
D801,159 S * 10/2017 Turbenson D8/367
D865,497 S * 11/2019 Williamson D8/367
D874,906 S * 2/2020 Ruddick D8/356
2002/0000504 A1 * 1/2002 Bayne F21S 4/10
248/302

* cited by examiner

FIG. 1

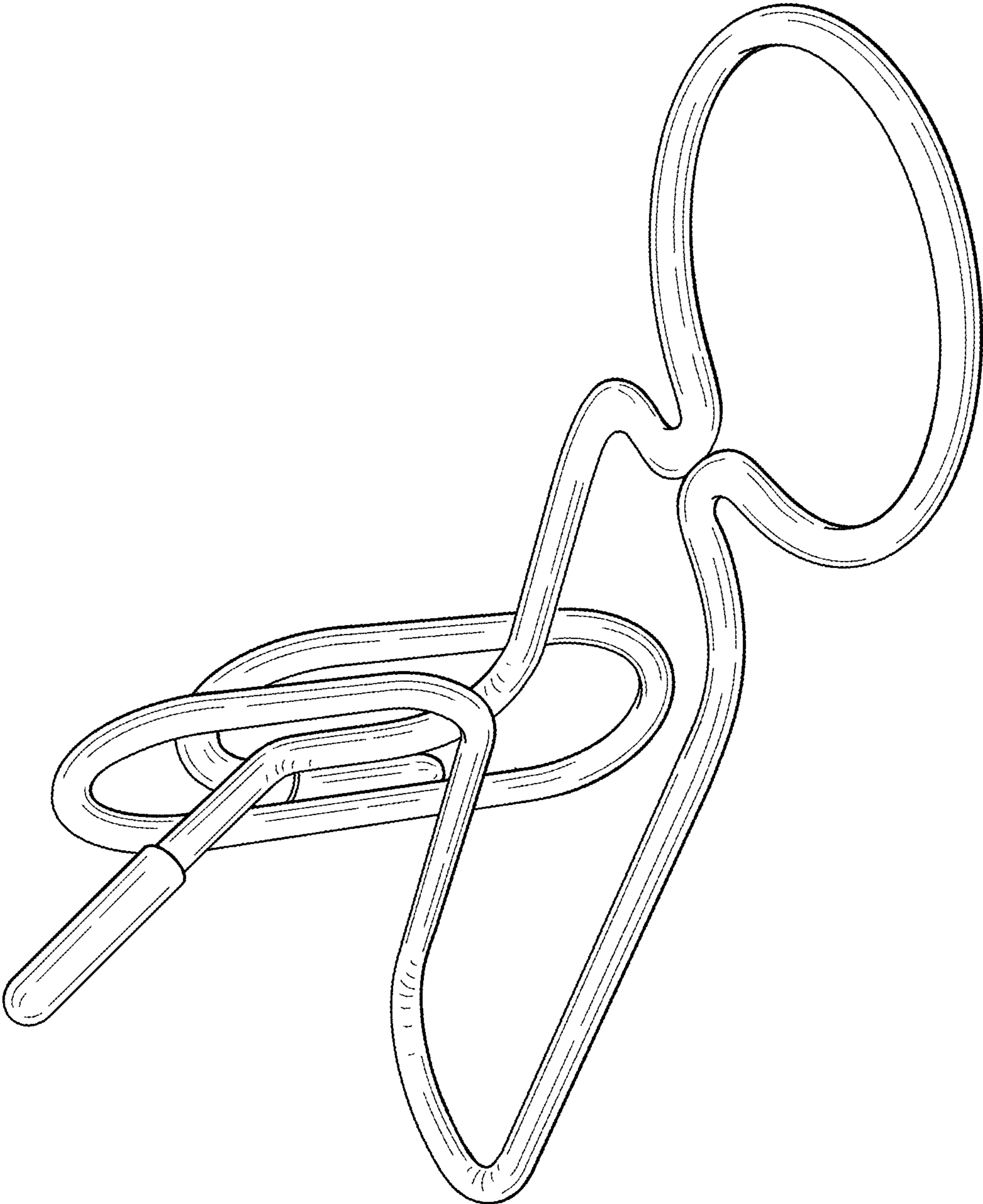
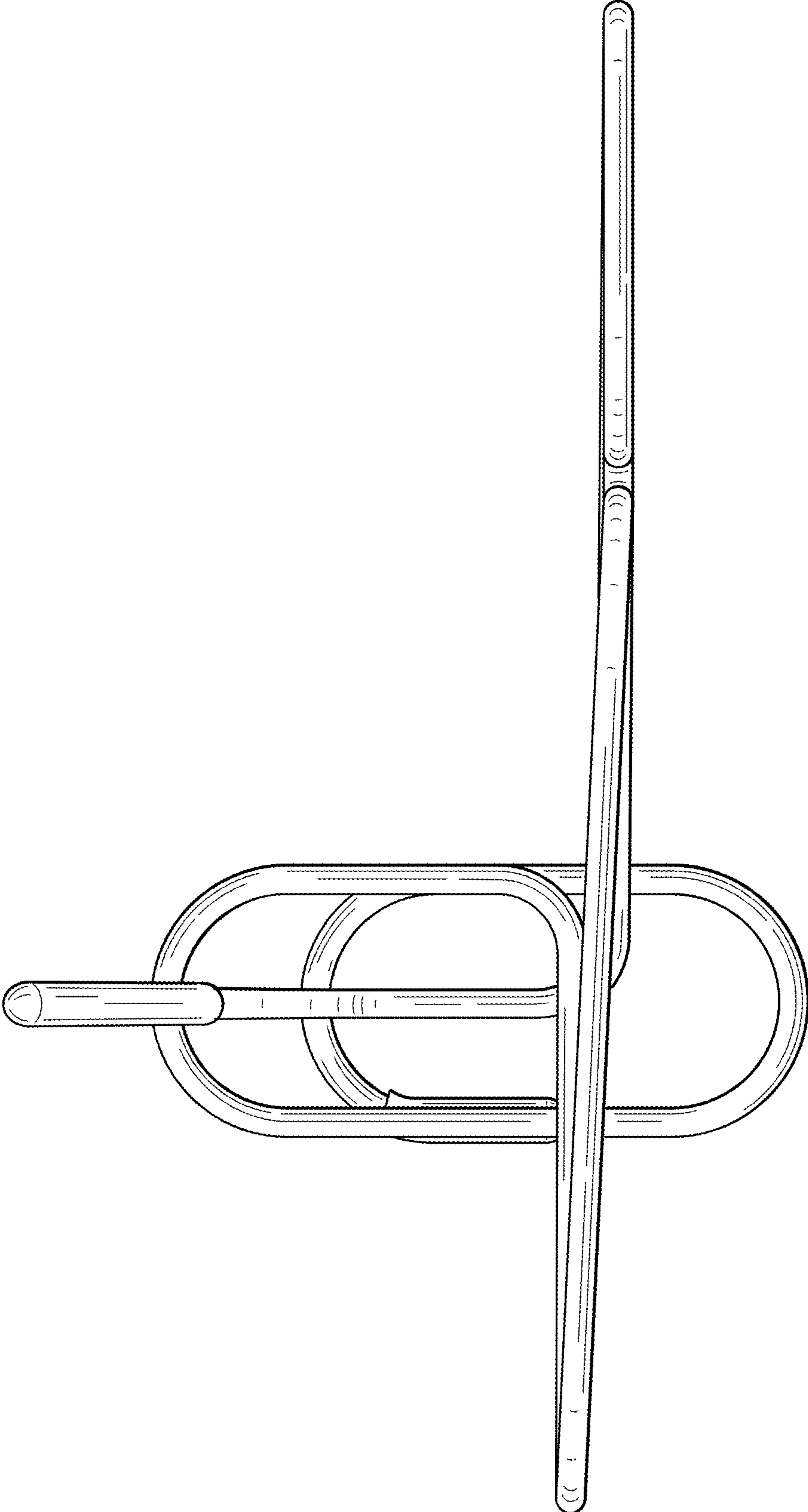


FIG. 2



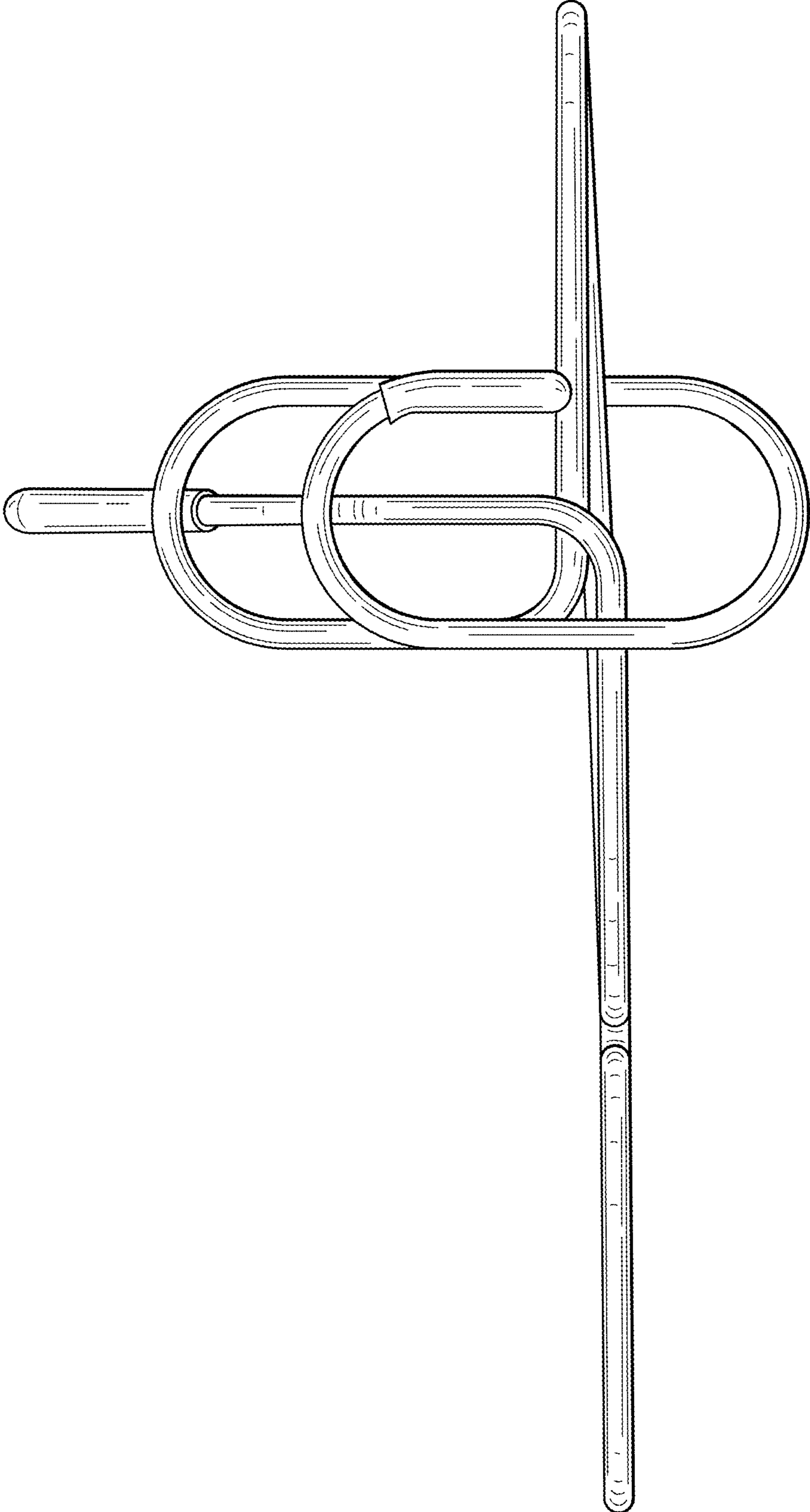


FIG. 3

FIG. 5

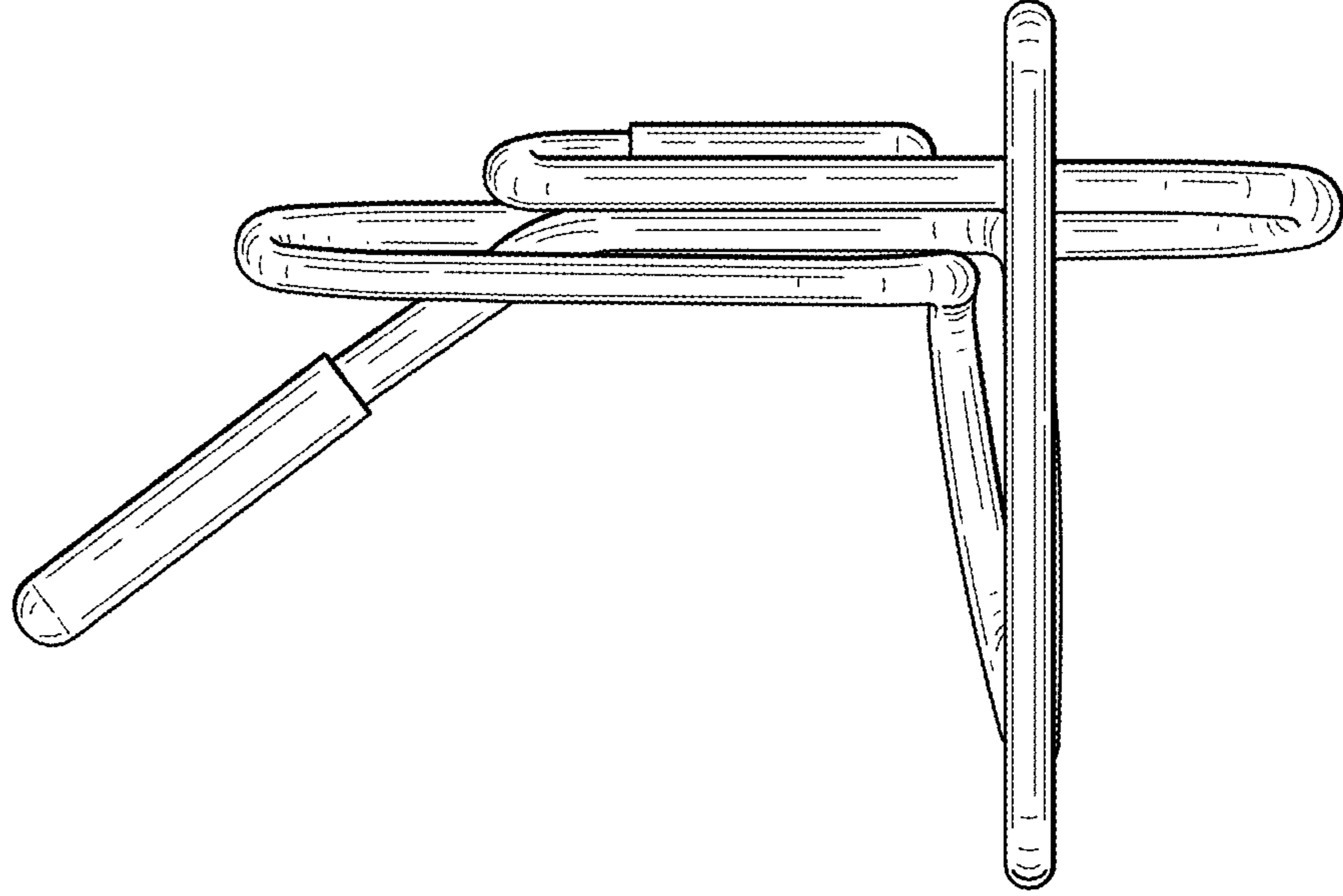


FIG. 4

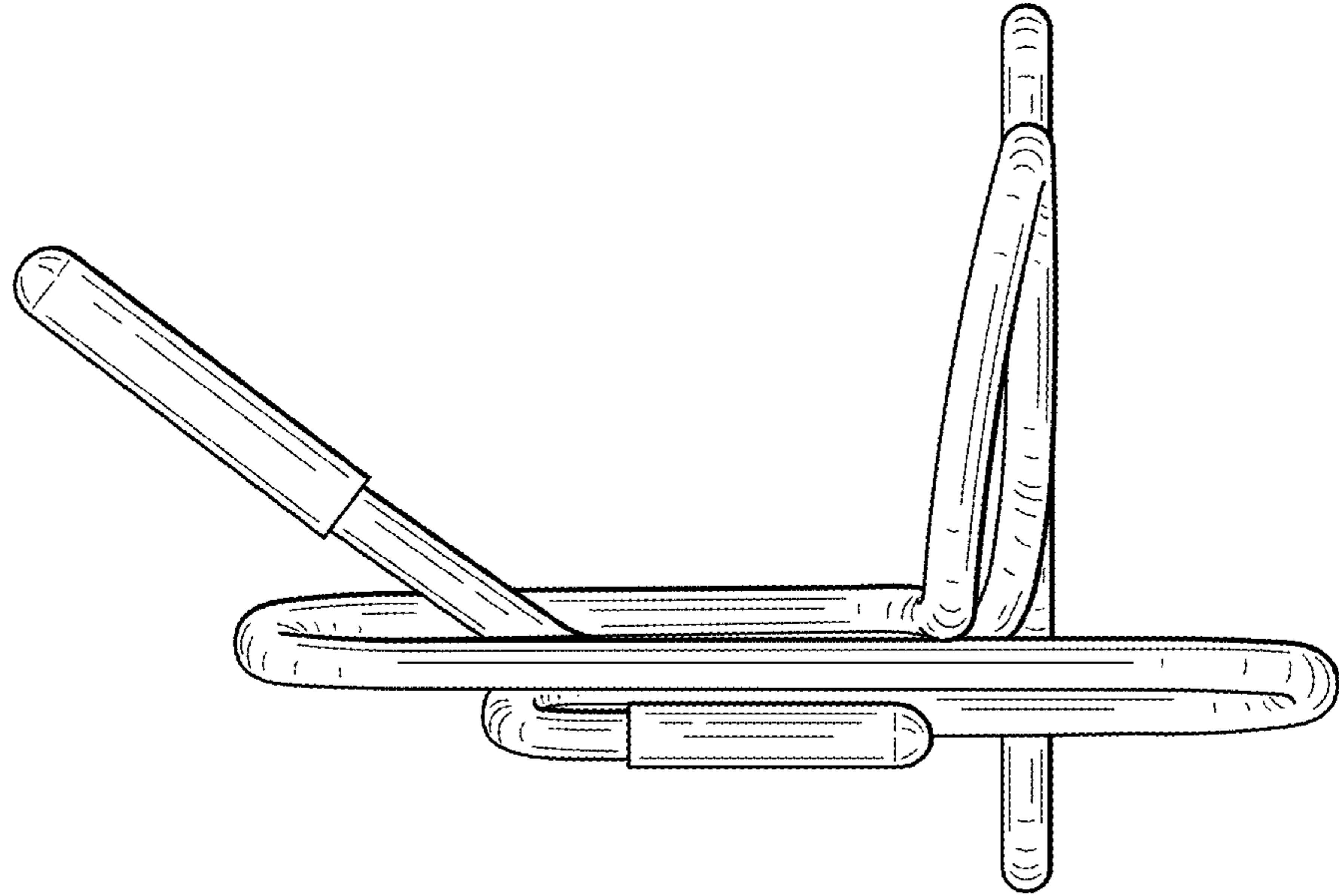


FIG. 6

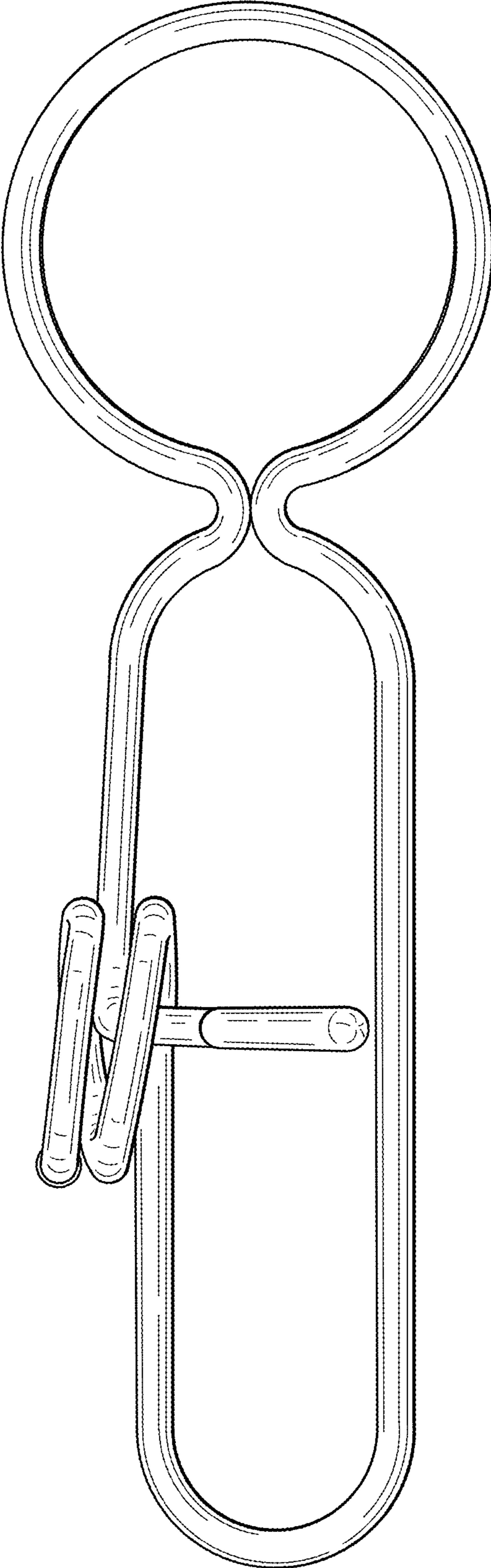


FIG. 7

