



US00D911825S

(12) **United States Design Patent**
Nesbitt

(10) **Patent No.:** **US D911,825 S**
(45) **Date of Patent:** **** Mar. 2, 2021**

(54) **LOCKING CABLE ROTATION TOOL**

(71) Applicant: **Innovatech, LLC**, Chicago, IL (US)
(72) Inventor: **Bruce Nesbitt**, Chicago, IL (US)
(73) Assignee: **Innovatech, LLC**, Chicago, IL (US)
(**) Term: **15 Years**
(21) Appl. No.: **29/679,256**

(22) Filed: **Feb. 4, 2019**

(51) **LOC (13) Cl.** **08-08**

(52) **U.S. Cl.**
USPC **D8/359**; D8/330; D8/323

(58) **Field of Classification Search**
USPC D8/330-334, 336-351, 355, 356, 365,
D8/321, 302, 323-325, 318; 70/279.1,
70/277; 292/428, 163, 332, 335, 341,
292/341.1, 340, 344, 343, 18
CPC B64C 1/00; B64C 1/14; B64F 5/00; E05B
63/128; E05B 65/0811; E05B 63/0065;
E05B 47/0012; Y10T 292/0969; E05C
1/04

See application file for complete search history.

(56) **References Cited**

U.S. PATENT DOCUMENTS

1,692,605 A	11/1928	Wolf
D87,511 S	8/1932	Duncan
2,290,249 A	7/1942	Piperoux
D143,100 S	12/1945	Stanitz
2,532,970 A	12/1950	Van Dyke
2,539,575 A	1/1951	George
2,658,395 A	11/1953	Coates
2,746,417 A	5/1956	McCord et al.
2,773,437 A	12/1956	Wilhelm
2,805,636 A	9/1957	Smith
D187,849 S	5/1960	Kohler
2,980,055 A	4/1961	Burns

(Continued)

FOREIGN PATENT DOCUMENTS

CN	305324983	*	3/2019
CN	306017139	*	4/2020
KR	3020050000197	*	12/2004

OTHER PUBLICATIONS

Aceshin, Heavy Duty Hand Winch, Date first available Nov. 30, 2018, [online]retrieved Nov. 17, 2020, available from internet, https://www.amazon.com/dp/B07KZH6QT1/ref=sspa_dk_detail_6?psc=1&pd_rd_i=B07KZH6QT1&pd_rd_w=9hXTE&pf_rd_p=f0355a48-7e73-489a-9590-564e12837b93&pd_rd_wg=0o1yT&pf_rd (Year: 2018).*

(Continued)

Primary Examiner — Keli L Hill

Assistant Examiner — Sara S Sahneh

(74) *Attorney, Agent, or Firm* — Neal, Gerber & Eisenberg LLP

(57) **CLAIM**

The ornamental design for a locking cable rotation tool, as shown and described.

DESCRIPTION

FIG. 1 is a top front perspective view of a locking cable rotation tool of my new design.

FIG. 2 is a left side view of the locking cable rotation tool of FIG. 1.

FIG. 3 is a right side view of the locking cable rotation tool of FIG. 1.

FIG. 4 is a front view of the locking cable rotation tool of FIG. 1.

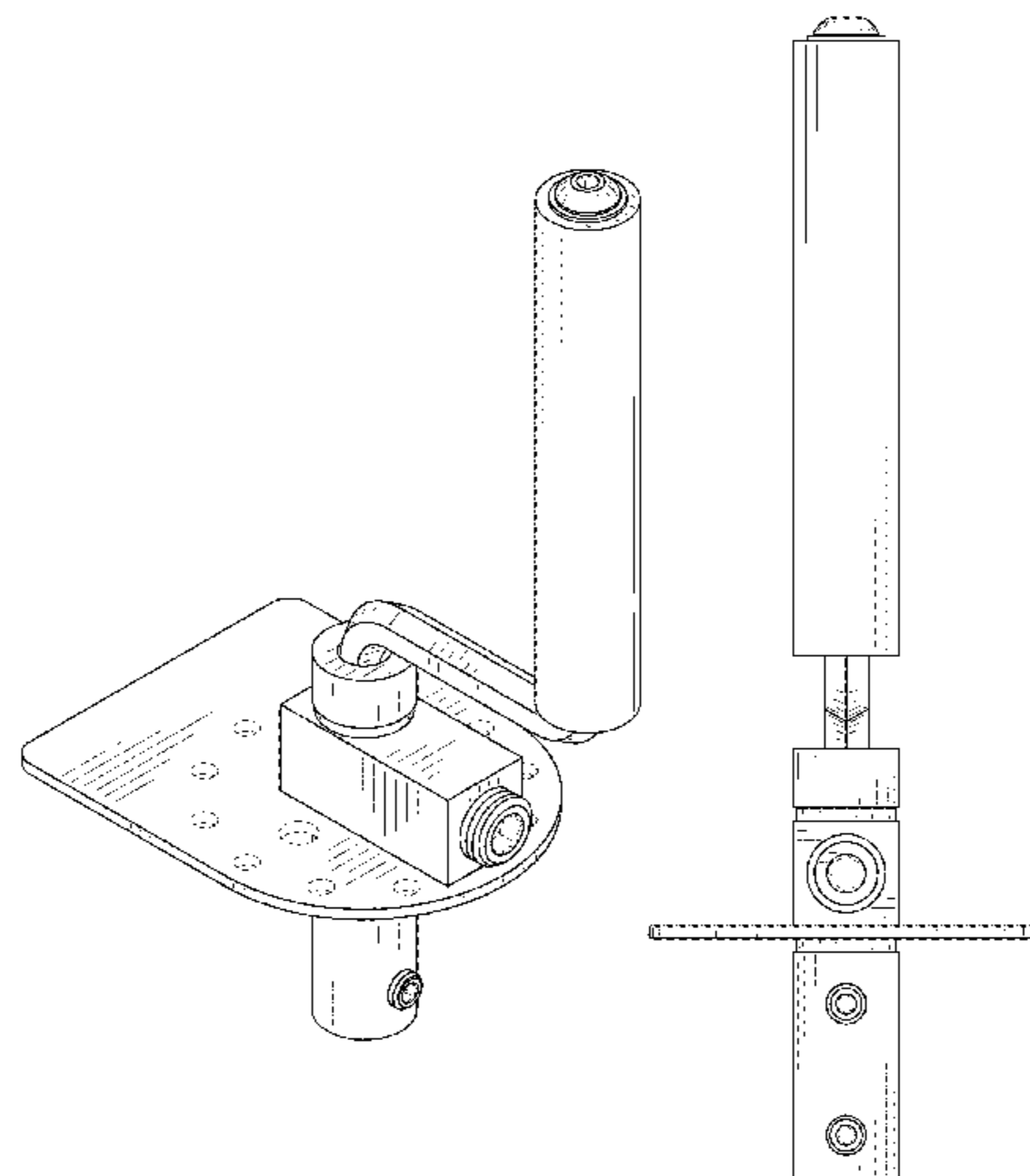
FIG. 5 is a rear view of the locking cable rotation tool of FIG. 1.

FIG. 6 is a top view of the locking cable rotation tool of FIG. 1; and,

FIG. 7 is a bottom view of the locking cable rotation tool of FIG. 1.

The broken lines shown represent unclaimed subject matter and form no part of the claimed design.

1 Claim, 7 Drawing Sheets



(56)

References Cited

U.S. PATENT DOCUMENTS

3,136,294 A 6/1964 Arnold et al.
 D200,186 S 1/1965 Kelly
 3,541,881 A 11/1970 Pharis
 D232,908 S * 9/1974 Kaplan D8/59
 3,895,600 A 7/1975 DeLong
 3,934,939 A 1/1976 Hida
 3,949,702 A 4/1976 DeLong
 3,991,702 A 11/1976 Taylor
 4,016,755 A 4/1977 Anderberg et al.
 D268,514 S 4/1983 Thompson
 4,776,438 A 10/1988 Schandelmeier
 D325,425 S 4/1992 Bengtson
 D377,745 S 2/1997 Laun
 5,646,849 A 7/1997 Walenty et al.
 5,653,149 A 8/1997 Cavanagh
 5,697,260 A 12/1997 Rixon et al.
 D398,214 S 9/1998 Yui
 5,819,593 A 10/1998 Rixon et al.
 5,950,245 A 9/1999 Binduga
 D417,827 S 12/1999 Gillman
 D422,187 S * 4/2000 Wong D8/51
 6,154,928 A 12/2000 Thom
 6,357,291 B1 3/2002 Jenness et al.
 D464,249 S 10/2002 Laabs et al.
 6,457,208 B1 10/2002 Keith
 D466,195 S 11/2002 Marshall
 6,516,683 B2 2/2003 Sundaresan et al.
 D472,947 S 4/2003 Wu
 D475,270 S 6/2003 Loyd et al.
 D480,950 S 10/2003 Ellis et al.
 D523,727 S 6/2006 Haug et al.
 D532,487 S 11/2006 Citterio
 D538,403 S 3/2007 Sallick et al.
 7,203,998 B2 4/2007 Howie, Jr.
 7,240,400 B2 * 7/2007 Bonham E05D 5/06
 16/238
 D563,192 S 3/2008 Barry
 D576,469 S 9/2008 Haug et al.
 D588,235 S 3/2009 Rexach
 D609,550 S 2/2010 Wan et al.
 7,963,003 B1 6/2011 Keene
 D649,847 S * 12/2011 Zagula D8/14
 D657,654 S 4/2012 Matsumiya et al.
 D712,517 S 9/2014 Citterio
 D724,414 S * 3/2015 Marshall D8/359
 D731,872 S 6/2015 White
 D744,313 S * 12/2015 Lu D8/323
 9,266,509 B1 2/2016 Nesbitt
 D757,516 S 5/2016 Nesbitt
 D758,825 S 6/2016 Nesbitt
 D761,634 S * 7/2016 Schweiss D8/323

9,441,713 B2 9/2016 Nesbitt
 D777,008 S 1/2017 Nesbitt
 D777,553 S 1/2017 Nesbitt
 D781,128 S * 3/2017 Hunsaker D8/323
 D784,795 S * 4/2017 Ravaioli D8/355
 D794,427 S * 8/2017 Ravaioli D8/355
 D804,276 S * 12/2017 Lu D8/323
 D804,277 S * 12/2017 Lu D8/323
 D834,914 S 12/2018 Nesbitt
 D891,222 S * 7/2020 Alarcon D8/323
 2002/0166408 A1 11/2002 Willemsen
 2003/0056615 A1 3/2003 Oberheide et al.
 2005/0016319 A1 1/2005 Kiczek et al.
 2005/0160869 A1 7/2005 Willemsen et al.
 2006/0048341 A1 3/2006 Koller et al.
 2006/0266190 A1 11/2006 Saitou et al.
 2007/0257243 A1 11/2007 Cofer
 2008/0276754 A1 11/2008 Herd
 2012/0154907 A1 6/2012 Schmitt et al.
 2012/0266410 A1 10/2012 Huang
 2013/0236235 A1 9/2013 Johnson, Sr. et al.
 2016/0348767 A1 12/2016 Nesbitt

OTHER PUBLICATIONS

Fekuar Store, 1500lbs Hand Winch with Hook, Date first available Feb. 27, 2020, [online]retrieved Nov. 17, 2020, available from internet, https://www.amazon.com/dp/B08597NQMJ/ref=sspa_dk_detail_5?psc=1&pd_rd_i=B08597NQMJ&pd_rd_w=P3cZz&pf_rd_p=f0355a48-7e73-489a-9590-564e12837b93&p (Year: 2020).*

Qwork Store, 1200lbs Hand Crank Worm Gear Winch,, Date first available Aug. 20, 2020, [online]retrieved Nov. 17, 2020, available from internet, https://www.amazon.com/QWORK-1200lbs-Two-Way-self-Locking-Trailer/dp/B08GCDG5LN/ref=pd_di_sccai_45?encoding=UTF8&pd_rd_i=B08GCDG5LN&pd_rd_r=232ba53c (Year: 2020).*

Ebay, Remote Brake Bias Cable and Adjuster System RS Group 4, Escort Rally Locost F2, Printed from <http://www.ebay.com/itm/161095790872> on Oct. 5, 2013 (3 Pages).

Installation Instructions for Premium Remote Bias Adjuster, Published by Tilton Engineering, Available prior to Nov. 25, 2014 (2 Page).

Brake Balance or Brake Bias, Published by Technical F1 Dictionary, Available prior to Nov. 25, 2014 (3 Pages).

AbsoluteHobbyz.com, Buku Brake Bias Tool, Published prior to Nov. 25, 2014 (2 Pages).

Knob, Available prior to Nov. 25, 2014 (1 Page).

Brakeometer Alcon device, Available prior to Nov. 25, 2014 (1 Page).

Ebay Picture, Brake Bias Adjuster Crank 27" IMCA Modified Dirt UMP, printed from <https://www.ebay.com/i/271478142944?chn=ps> on Dec. 11, 2018 (1 page).

* cited by examiner

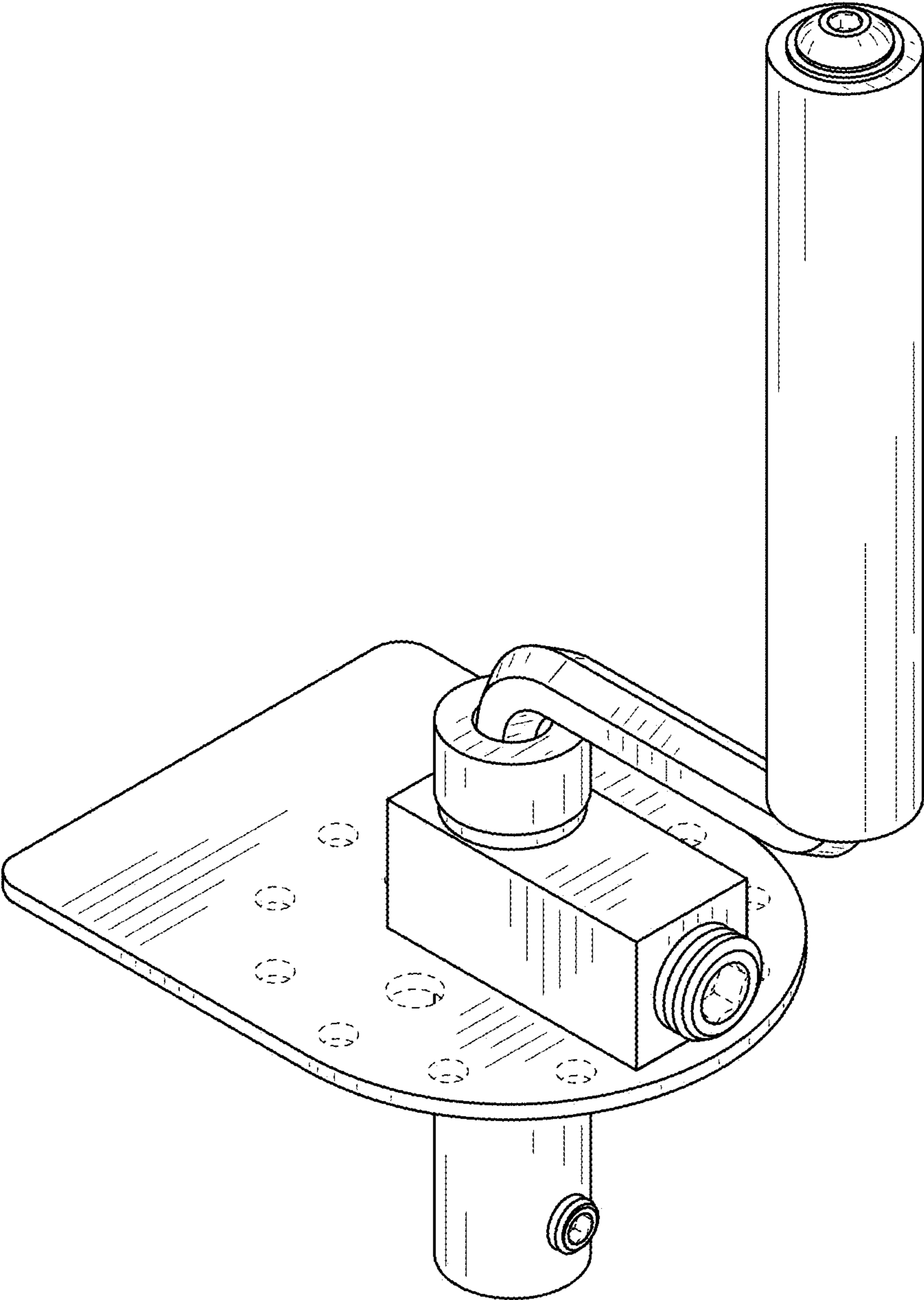


FIG. 1

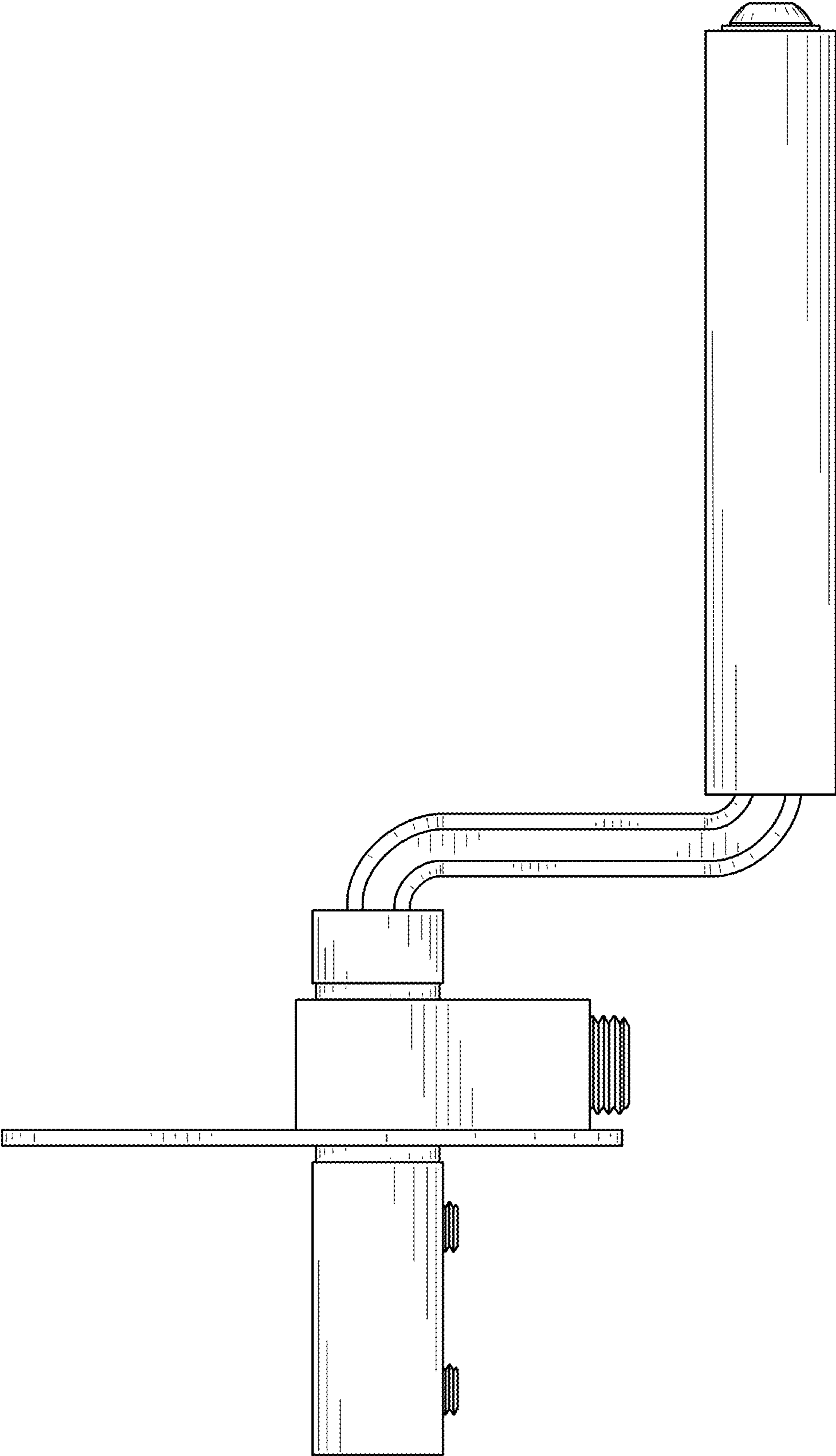


FIG. 2

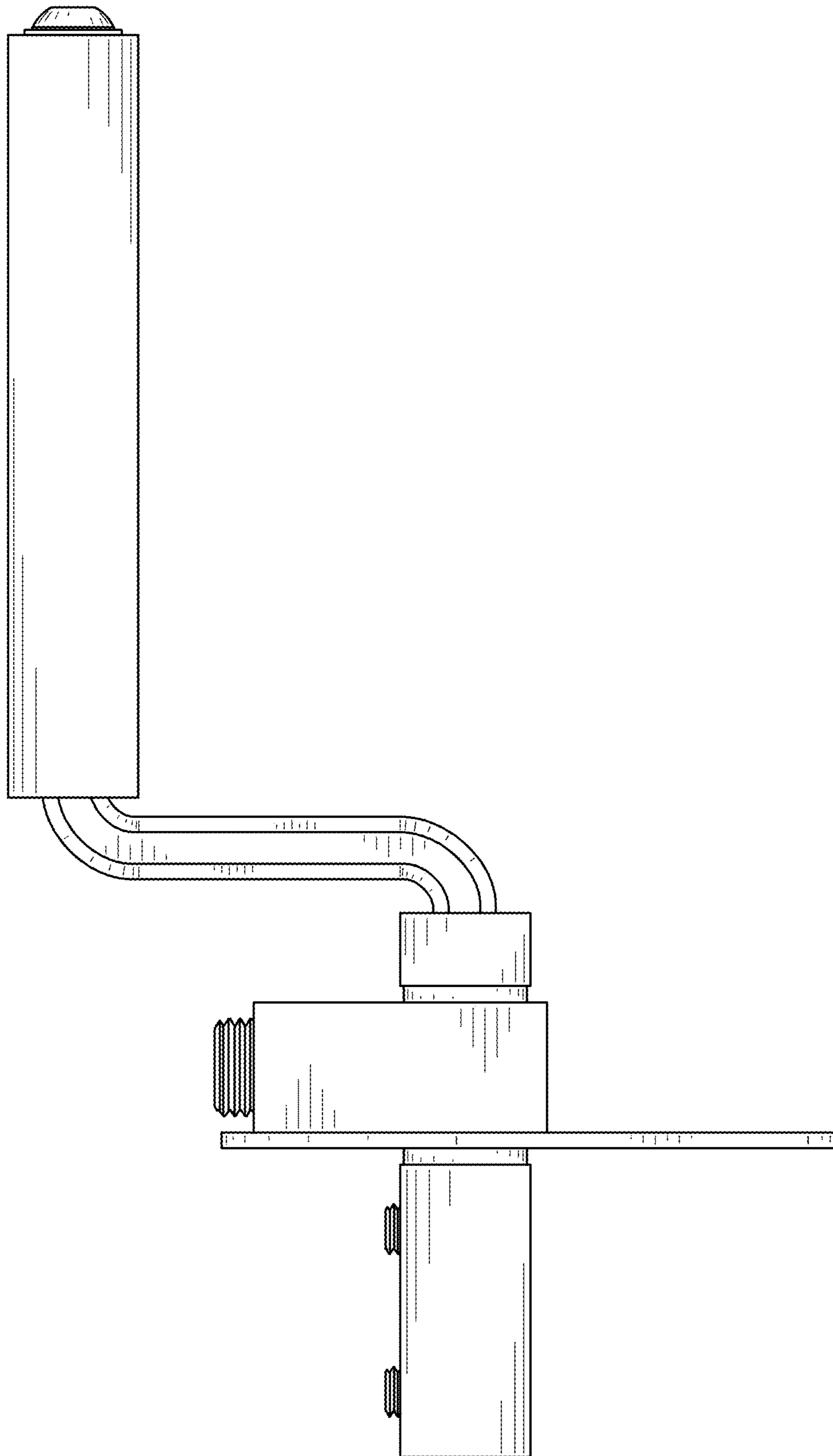


FIG. 3

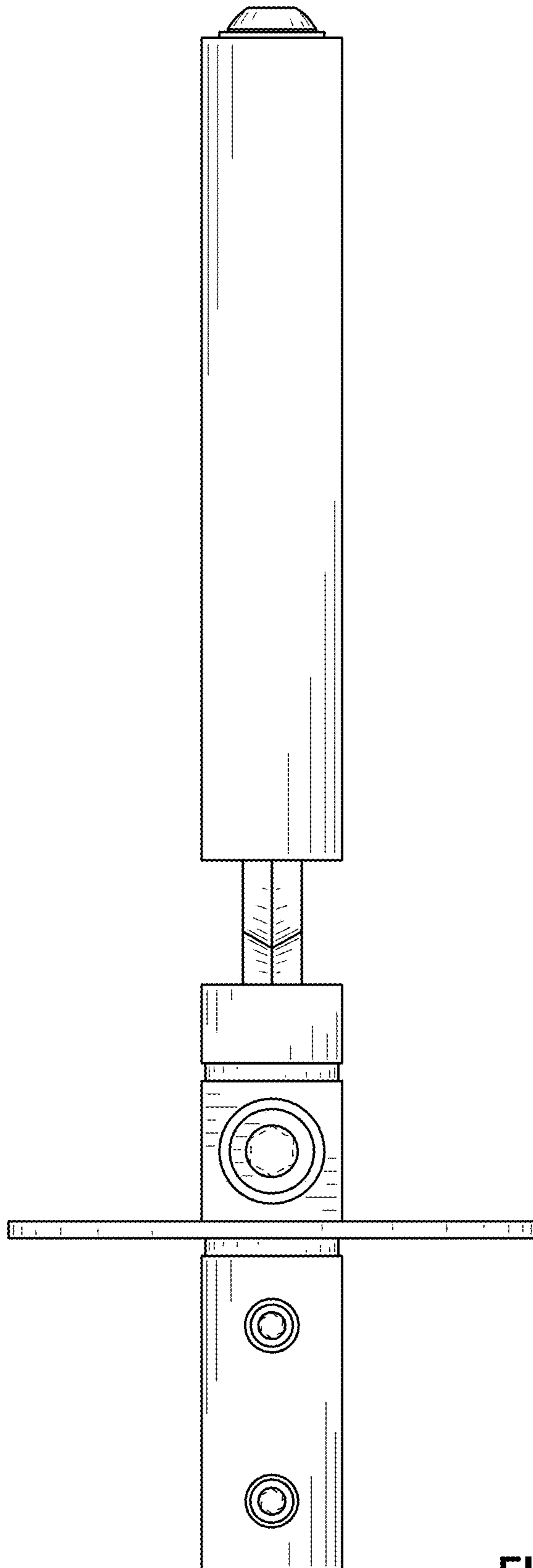


FIG. 4

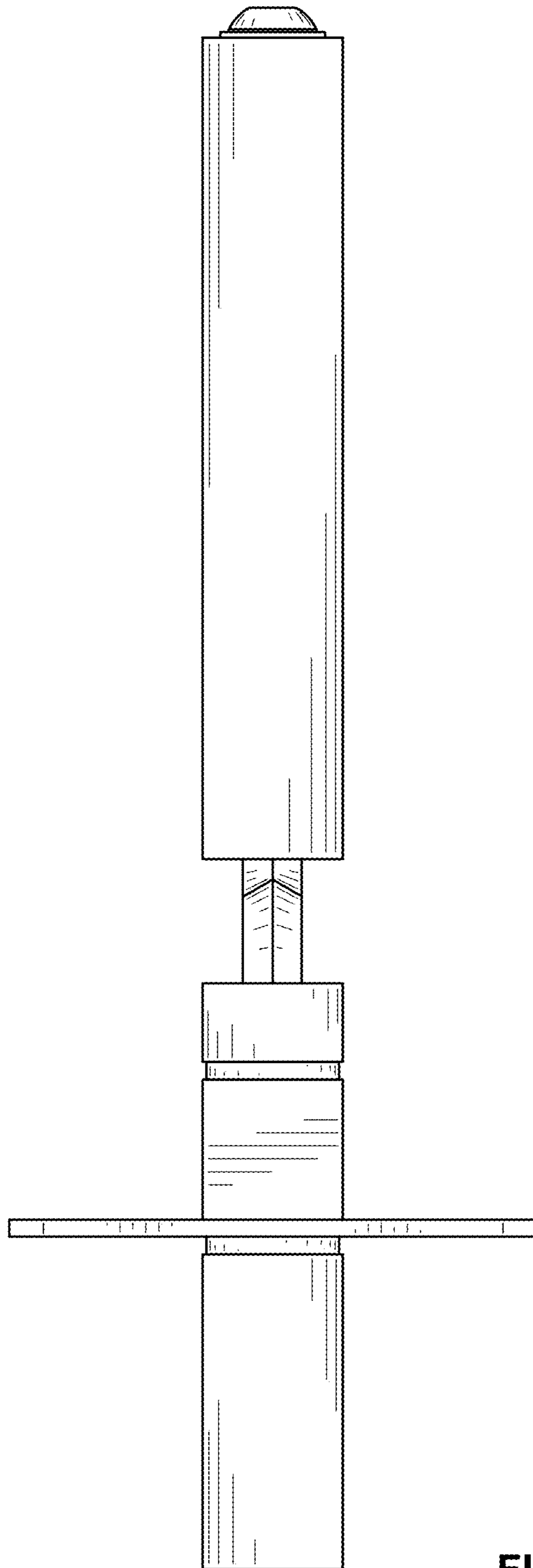


FIG. 5

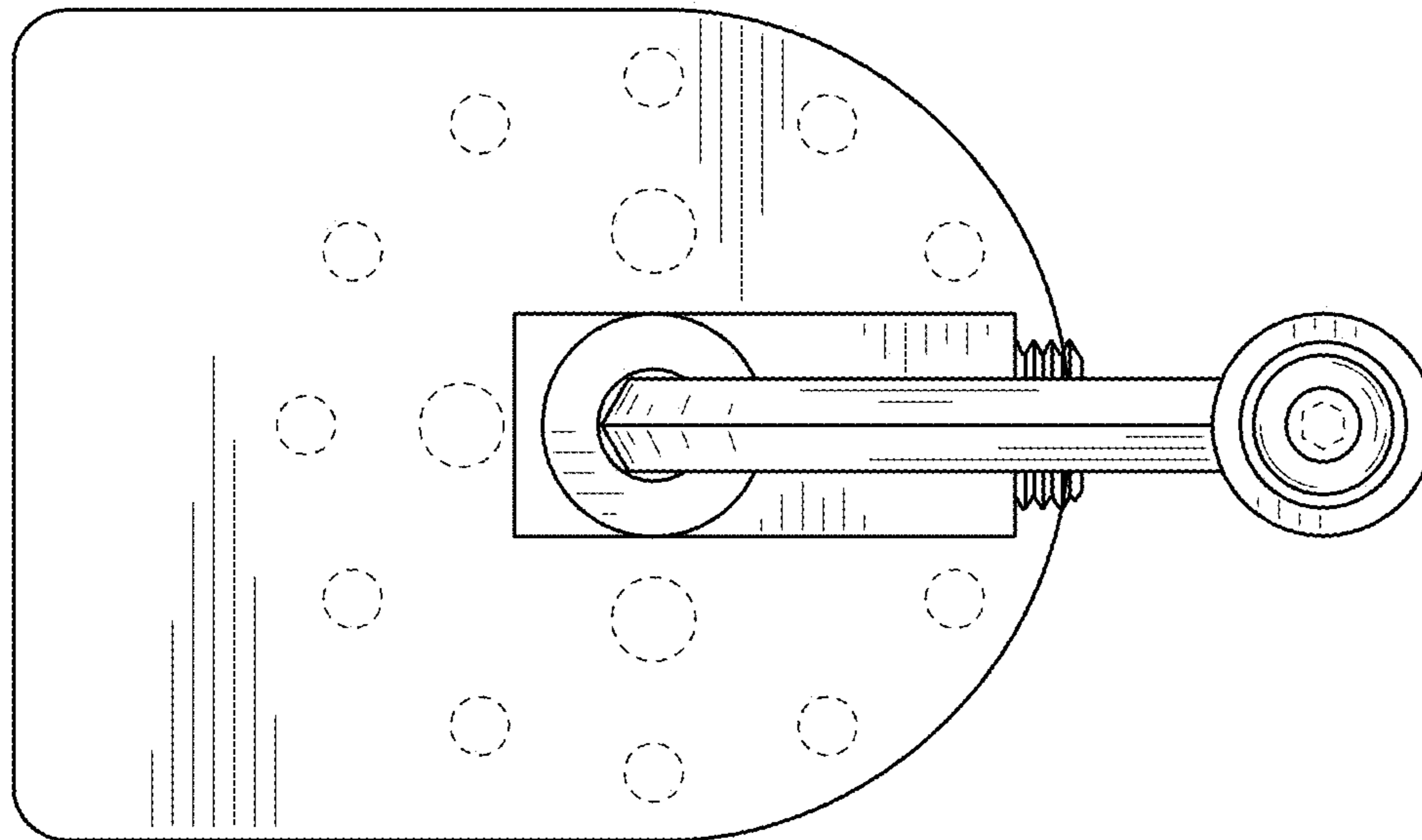


FIG. 6

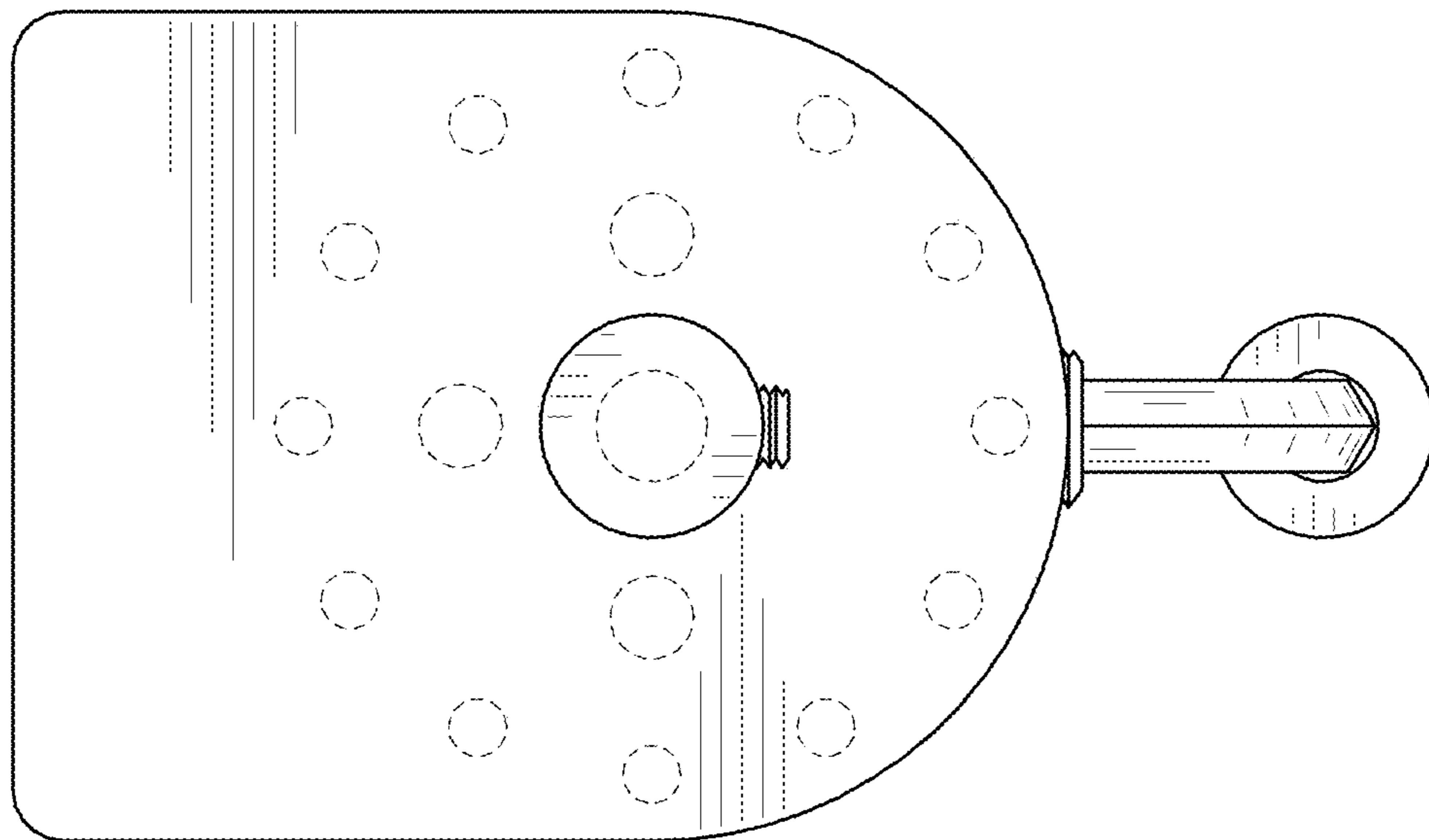


FIG. 7