



US00D911823S

(12) **United States Design Patent** (10) **Patent No.:** **US D911,823 S**  
**Auston** (45) **Date of Patent:** **\*\* Mar. 2, 2021**

(54) **STRAP END FOR A STRAP OF A HARNESS**  
(71) Applicant: **CHECKMATE LIFTING & SAFETY LTD, Kent (GB)**  
(72) Inventor: **Oliver Auston, Faversham (GB)**  
(73) Assignee: **CHECKMATE LIFTING & SAFETY LTD, Kent (GB)**  
(\*\*) Term: **15 Years**  
(21) Appl. No.: **29/708,212**  
(22) Filed: **Oct. 4, 2019**  
(51) **LOC (13) Cl.** ..... **09-06**  
(52) **U.S. Cl.**  
USPC ..... **D8/356**  
(58) **Field of Classification Search**  
USPC ..... D8/356, 354, 349; D30/139; D11/218  
CPC ..... A44B 11/04; A44B 11/2557; A44B 11/12;  
A44B 11/10; B65H 75/06  
See application file for complete search history.

D511,595 S \* 11/2005 Bates ..... 54/42.1  
D564,409 S \* 3/2008 Pontaoe ..... D11/218  
D576,077 S \* 9/2008 Yoshiguchi ..... D11/218  
7,552,515 B2 \* 6/2009 Funo ..... A44B 11/04  
24/200  
D619,497 S \* 7/2010 Paik ..... D11/218  
D619,498 S \* 7/2010 Paik ..... D11/218  
D649,907 S \* 12/2011 Kataguchi ..... D11/218  
D661,573 S \* 6/2012 Paik ..... D8/367  
D668,580 S \* 10/2012 Kax ..... D11/218  
D686,059 S \* 7/2013 Paik ..... D8/356  
D731,921 S \* 6/2015 Kung ..... D11/218  
D741,148 S \* 10/2015 Liu ..... D11/218  
9,155,360 B1 \* 10/2015 Mowad ..... A41F 9/002  
D742,722 S \* 11/2015 Paik ..... D8/356  
D763,666 S \* 8/2016 Wengreen ..... D8/356  
9,433,259 B2 \* 9/2016 Jacobsen ..... A44B 11/10

(Continued)

Primary Examiner — Cynthia R Underwood  
(74) Attorney, Agent, or Firm — Dicke, Billig & Czaja, PLLC

(57) **CLAIM**

The ornamental design for a strap end for a strap of a harness, as shown and described.

**DESCRIPTION**

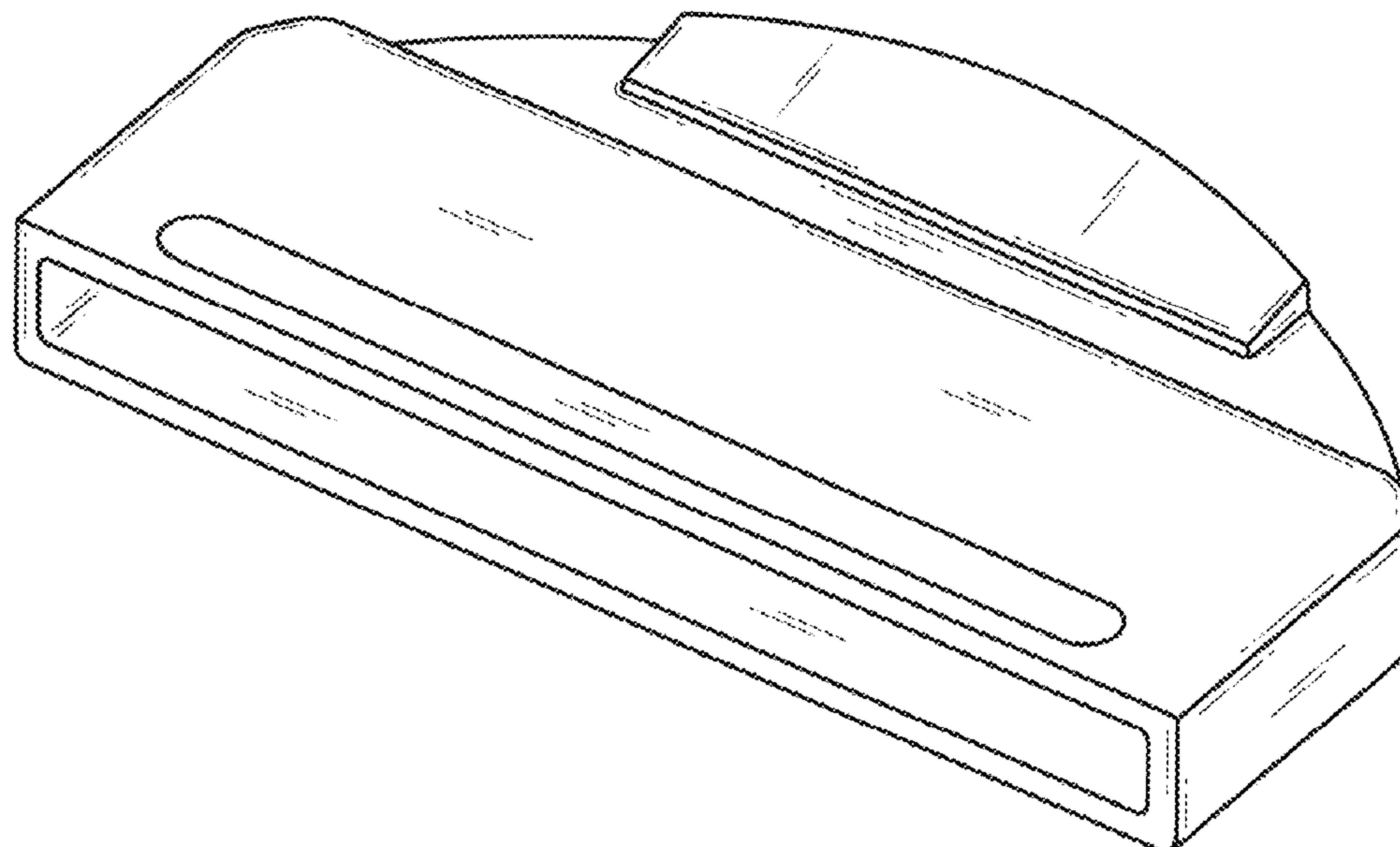
Fig. 1 is a front perspective view of a strap end for a strap of a harness showing my new design; FIG. 2 is a front elevational view thereof; FIG. 3 is a rear elevational view thereof; FIG. 4 is a top plan view thereof, the bottom plan view being a mirror image; FIG. 5 is a left side elevational view thereof, the right side elevational view being a mirror image; and, FIG. 6 is a top plan view thereof connected to a strap of a harness. Those portions of the harness shown in broken lines depict an environment of use and form no part of the claim.

**1 Claim, 6 Drawing Sheets**

(56) **References Cited**

**U.S. PATENT DOCUMENTS**

4,123,012 A \* 10/1978 Hough ..... B65H 75/06  
242/405.2  
5,123,153 A \* 6/1992 Krauss ..... A44B 11/10  
24/171  
5,205,021 A \* 4/1993 Durand ..... A44B 11/12  
24/163 R  
5,285,555 A \* 2/1994 Bell ..... A44B 11/10  
24/171  
D446,163 S \* 8/2001 Chung ..... D11/218  
6,286,777 B1 \* 9/2001 Black ..... B65H 75/06  
242/388.6  
D483,294 S \* 12/2003 Uehara ..... D11/218  
D507,509 S \* 7/2005 Hou ..... D11/218  
D508,218 S \* 8/2005 Yoshiguchi ..... D11/218  
D510,297 S \* 10/2005 Funo ..... D11/218



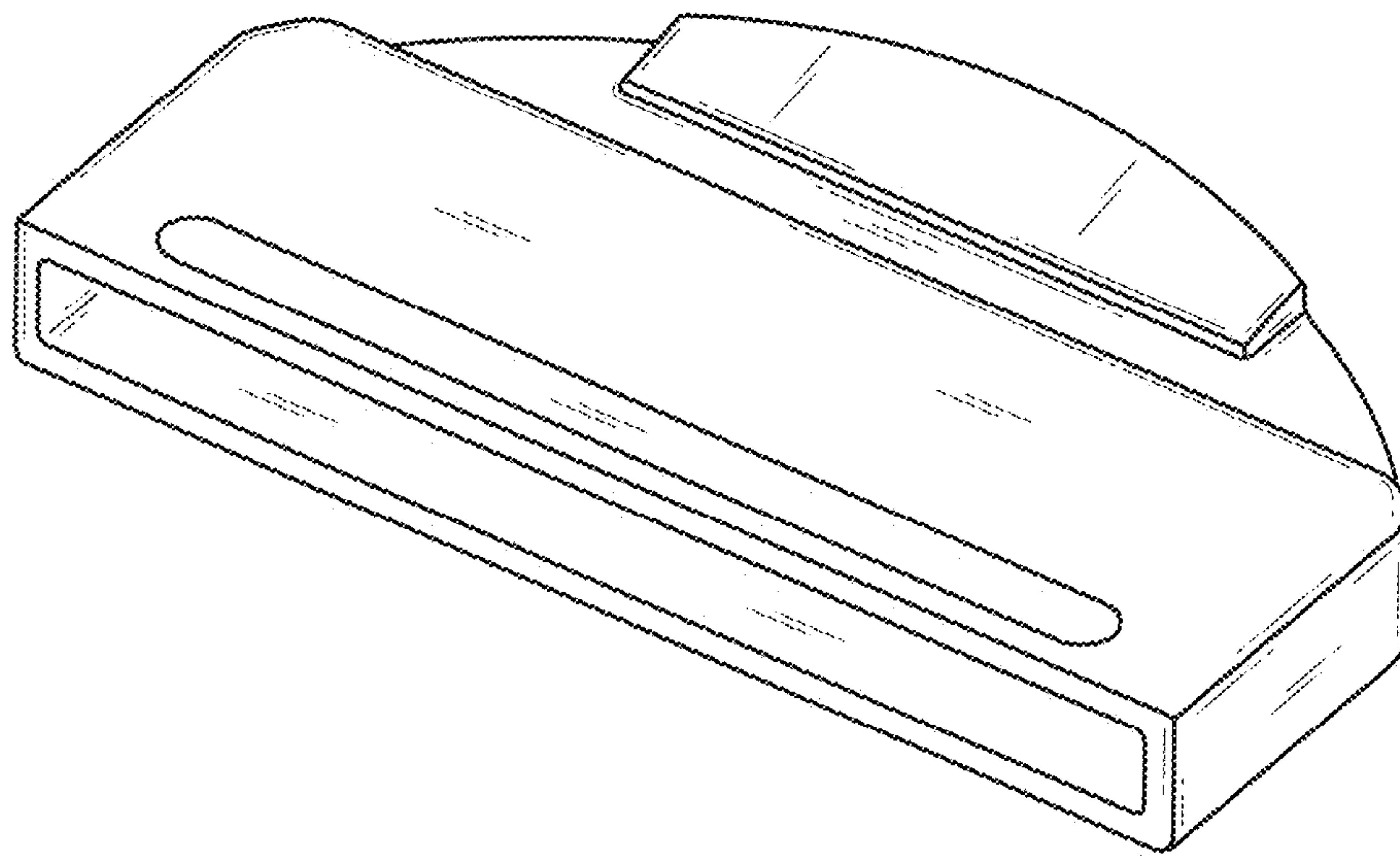
(56)

References Cited

U.S. PATENT DOCUMENTS

D782,287	S *	3/2017	Chen	.....	D8/356
9,743,717	B2 *	8/2017	Custer	.....	A44B 11/22
D808,251	S *	1/2018	Hetrick	.....	D8/356
D823,717	S *	7/2018	Ho	.....	D11/218
10,039,349	B2 *	8/2018	Muller	.....	A42B 3/08
D830,226	S *	10/2018	Chang	.....	D11/218
D830,948	S *	10/2018	Fenchak	.....	D12/414
D839,084	S *	1/2019	Mikoska	.....	D8/356
10,188,177	B2 *	1/2019	Prugue	.....	A44B 11/18
D839,719	S *	2/2019	Burrell	.....	D8/356
D840,869	S *	2/2019	Koreishi	.....	D11/218
D840,870	S *	2/2019	Koreishi	.....	D11/218
D842,078	S *	3/2019	Martino	.....	D8/356
D843,887	S *	3/2019	Frost	.....	D11/218
D847,016	S *	4/2019	Stringham	.....	D11/218
D868,625	S *	12/2019	Paik	.....	D11/218
10,531,710	B2 *	1/2020	Allen	.....	A44B 11/2557
D877,280	S *	3/2020	Eitan	.....	D22/108
10,602,807	B2 *	3/2020	Ben-Arie	.....	A43C 11/14
10,617,179	B2 *	4/2020	Fiedler	.....	A44B 11/12
10,654,442	B2 *	5/2020	Wang	.....	B60R 22/26
2013/0333119	A1 *	12/2013	Maynard	.....	B25F 1/00
					7/163
2014/0018807	A1 *	1/2014	Foerster	.....	A61B 17/8869
					606/74

\* cited by examiner



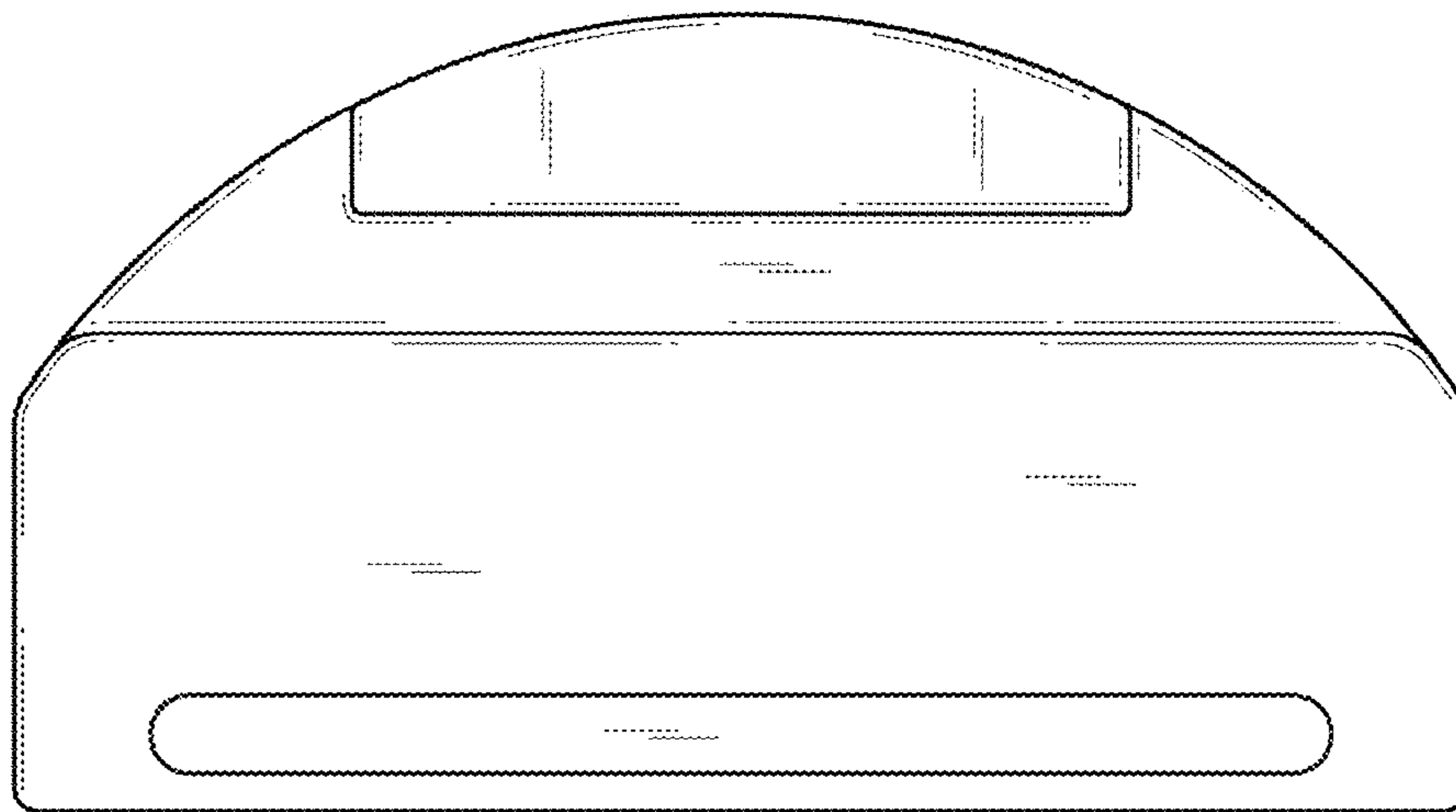
**Fig. 1**



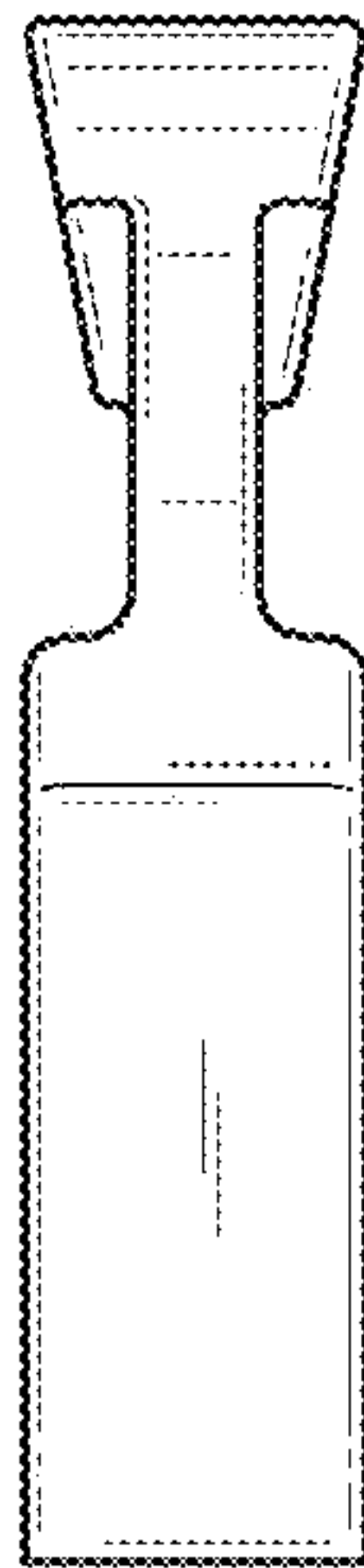
**Fig. 2**



**Fig. 3**

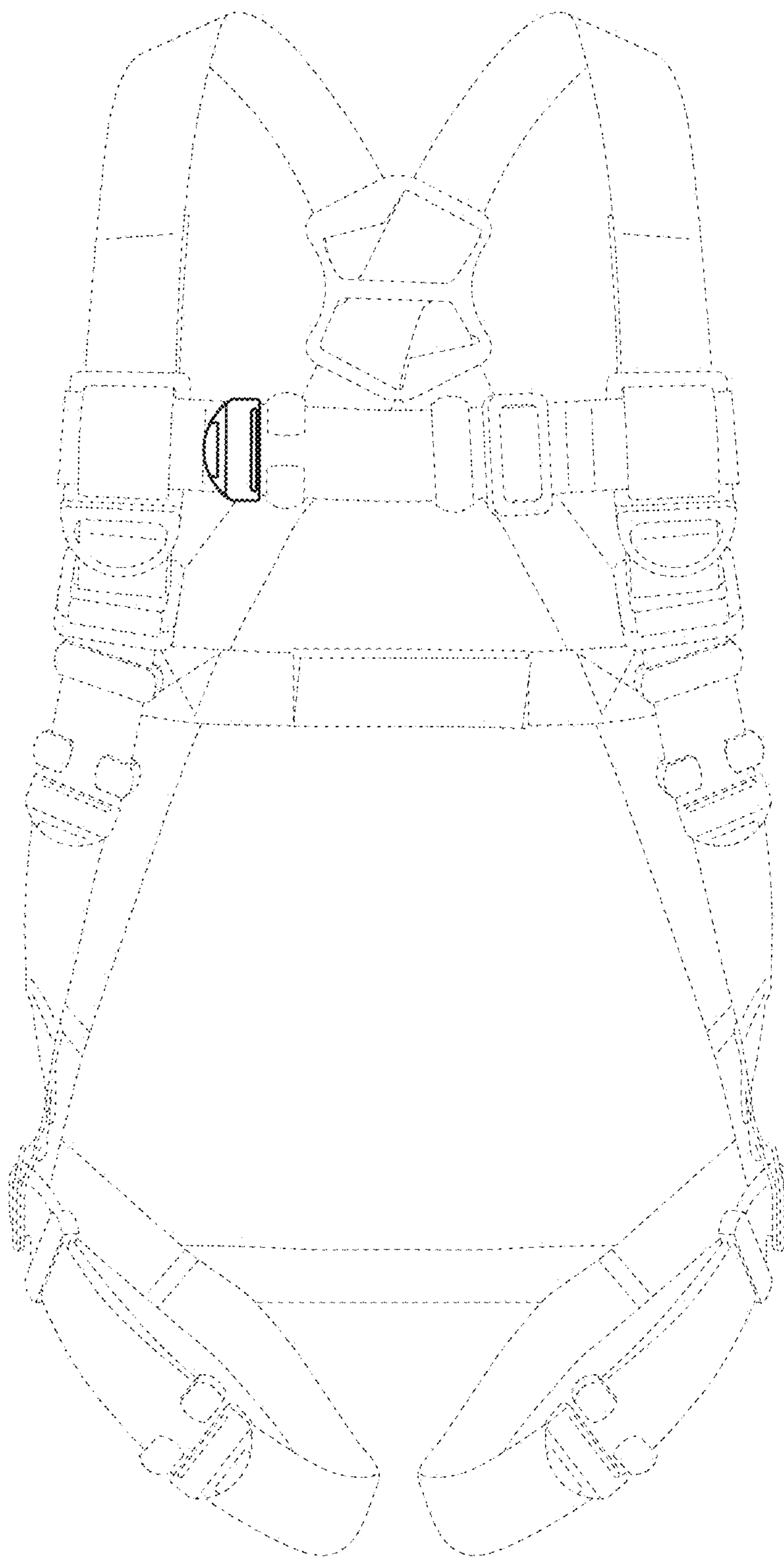


**Fig. 4**



**Fig. 5**





**Fig. 6**