



US00D911822S

(12) **United States Design Patent**
Bailey

(10) **Patent No.:** **US D911,822 S**

(45) **Date of Patent:** **** Mar. 2, 2021**

(54) **CORD WINDER FOR ELECTRONICS CHARGER**

(71) Applicant: **Logan Bailey**, Provo, UT (US)

(72) Inventor: **Logan Bailey**, Provo, UT (US)

(**) Term: **15 Years**

(21) Appl. No.: **29/693,875**

(22) Filed: **Jun. 5, 2019**

(51) **LOC (13) Cl.** **09-06**

(52) **U.S. Cl.**
USPC **D8/356**; D13/154

(58) **Field of Classification Search**
USPC D13/103, 107-110, 118, 119, 146, 147,
D13/153, 155, 184, 199, 154; D32/31;
D8/356, 358
CPC Y02E 60/12; H02J 7/025; H02J 7/0042;
H02J 7/0044; H02J 7/0045; H02J 7/0003;
H02J 7/0027; H02J 7/0013; H02J 7/0054;
H02J 7/00; H02J 2001/008; H02J 3/32;
H02J 3/008; H01F 38/14; H01R 13/6675;
H01M 2/1022; H01M 2/1055; H01M
10/44; H01M 10/46; H01M 10/425; B60L
11/182; B60L 11/1809; B60L 11/1861;
B60R 16/03

See application file for complete search history.

(56) **References Cited**

U.S. PATENT DOCUMENTS

D473,124 S *	4/2003	Wu	D8/356
D569,710 S *	5/2008	Young	D13/154
D655,243 S *	3/2012	Au	D13/108
D656,895 S *	4/2012	Fitch	D13/108
D732,929 S *	6/2015	Harrow	D8/354
D786,048 S *	5/2017	Grewal	F16G 11/14
				D8/356

D808,250 S *	1/2018	Chang	D8/356
D833,261 S *	11/2018	Kanenari	D8/356
D846,494 S *	4/2019	Takahashi	D13/103
D883,213 S *	5/2020	Chuang	D13/119
D895,636 S *	9/2020	Yang	D14/453
2020/0287339 A1 *	9/2020	Ellis	H02J 7/0044

OTHER PUBLICATIONS

Amazon.com: Fuse the Snap Back Charger Winder . . . Date First Available of Oct. 23, 2019. Retrieved from the internet at <<https://www.amazon.com/Charger-Compatible-Lightning-adapter-management/dp/B07ZHJ8CRZ>>, Nov. 17, 2020. 1 page. (Year: 2019).*

* cited by examiner

Primary Examiner — Christy Nemeth
(74) *Attorney, Agent, or Firm* — Superior IP, PLLC;
Dustin Call

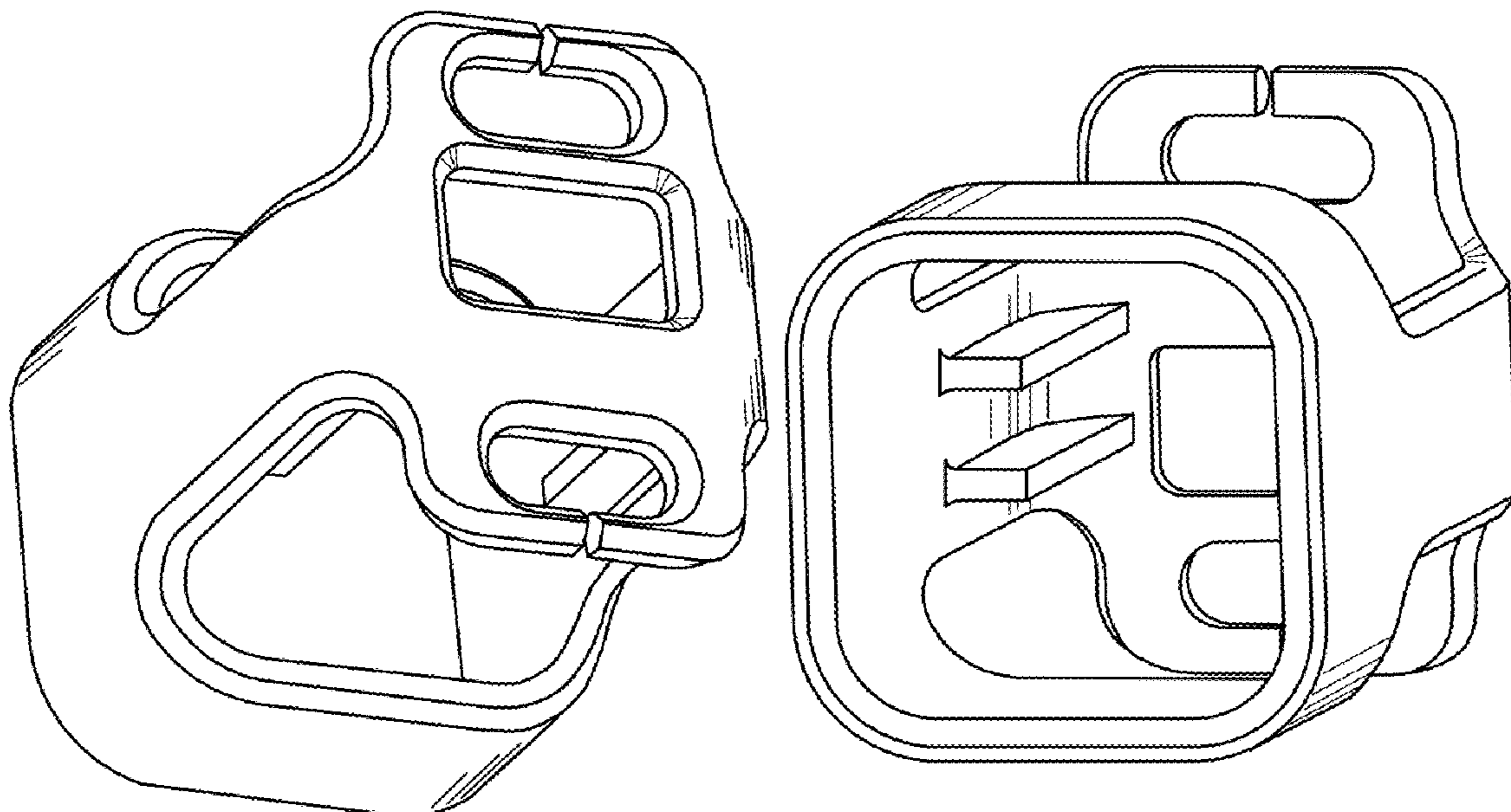
(57) **CLAIM**

The ornamental design for an cord winder for electronics charger, as shown and described.

DESCRIPTION

FIG. 1 is a top view of the cord winder for electronics charger;
FIG. 2 is a bottom view thereof;
FIG. 3 is a front view thereof, the rear view being a mirror image thereof;
FIG. 4 is a left view thereof, the right view being a mirror image thereof;
FIG. 5 is a top front right perspective view thereof; and,
FIG. 6 is a bottom rear left perspective view thereof.

1 Claim, 3 Drawing Sheets



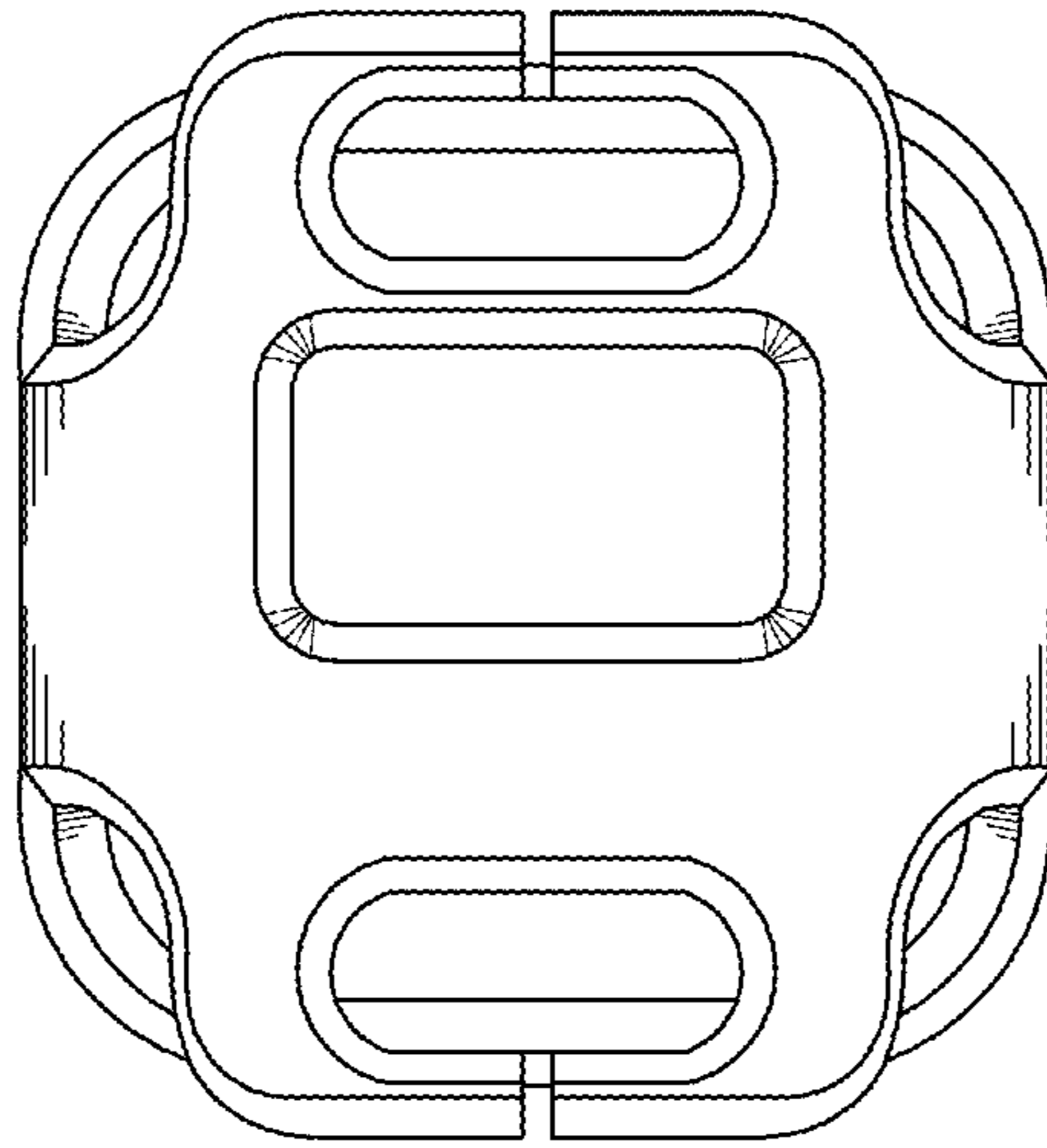


FIG. 1

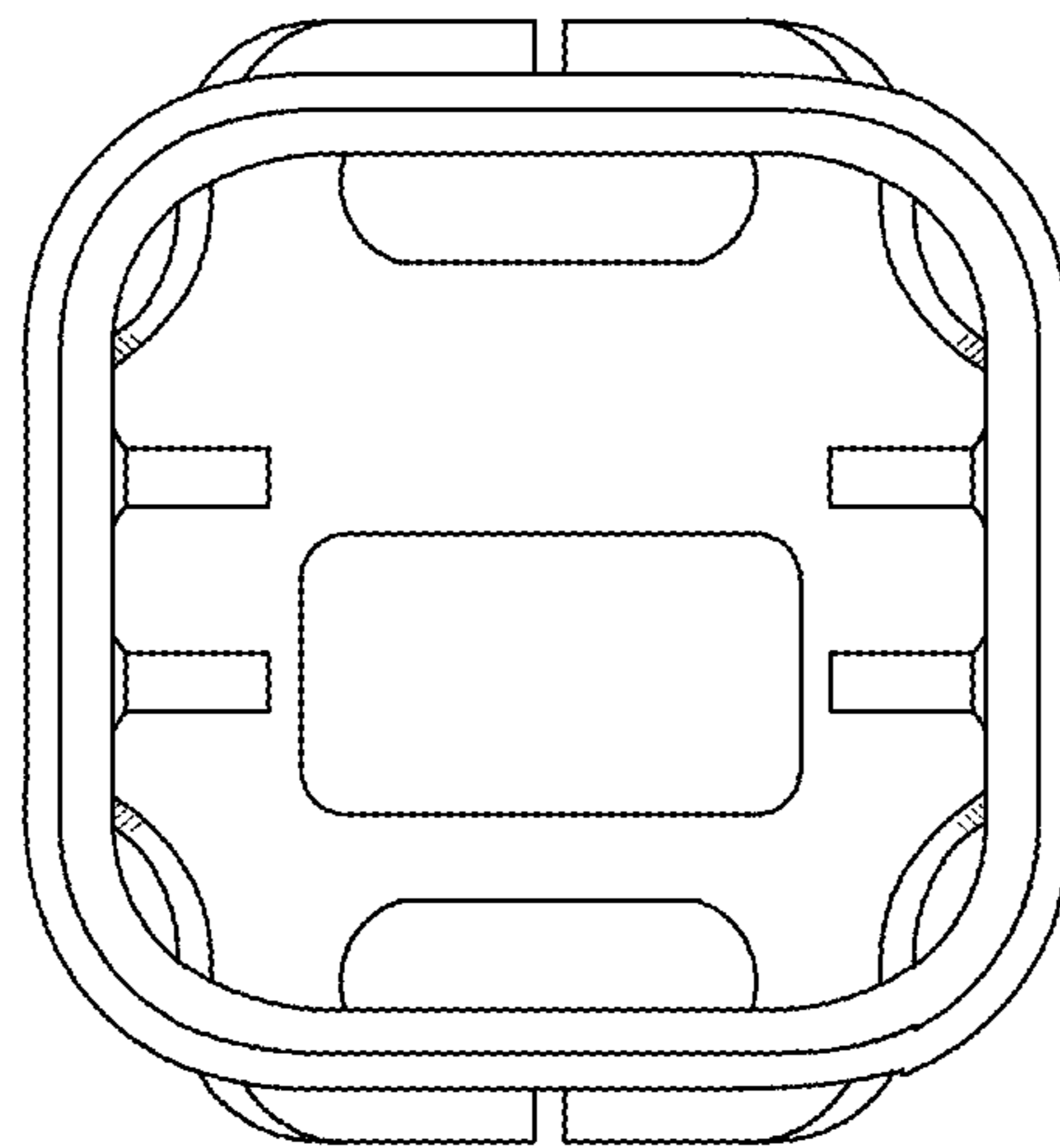


FIG. 2

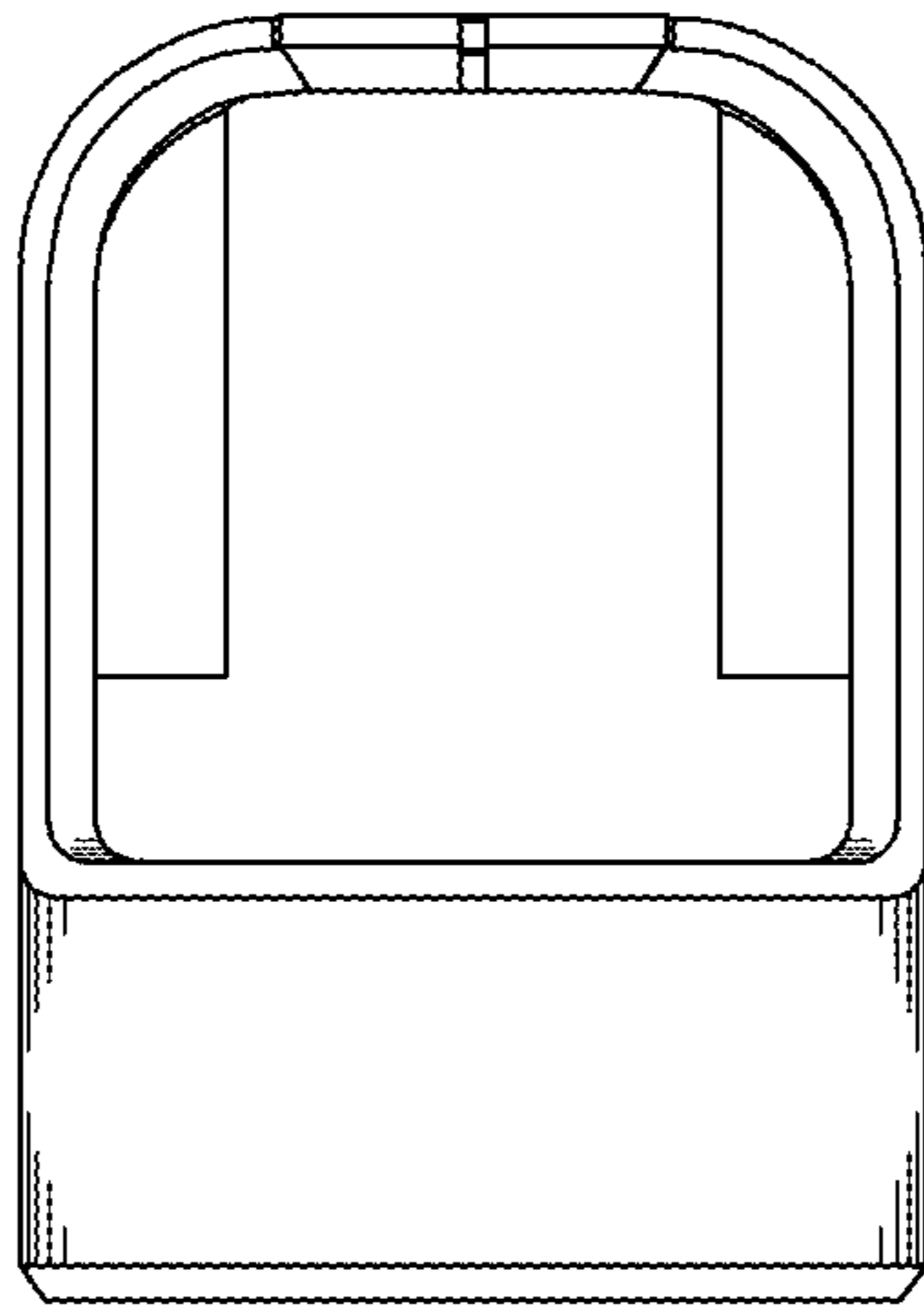


FIG. 3

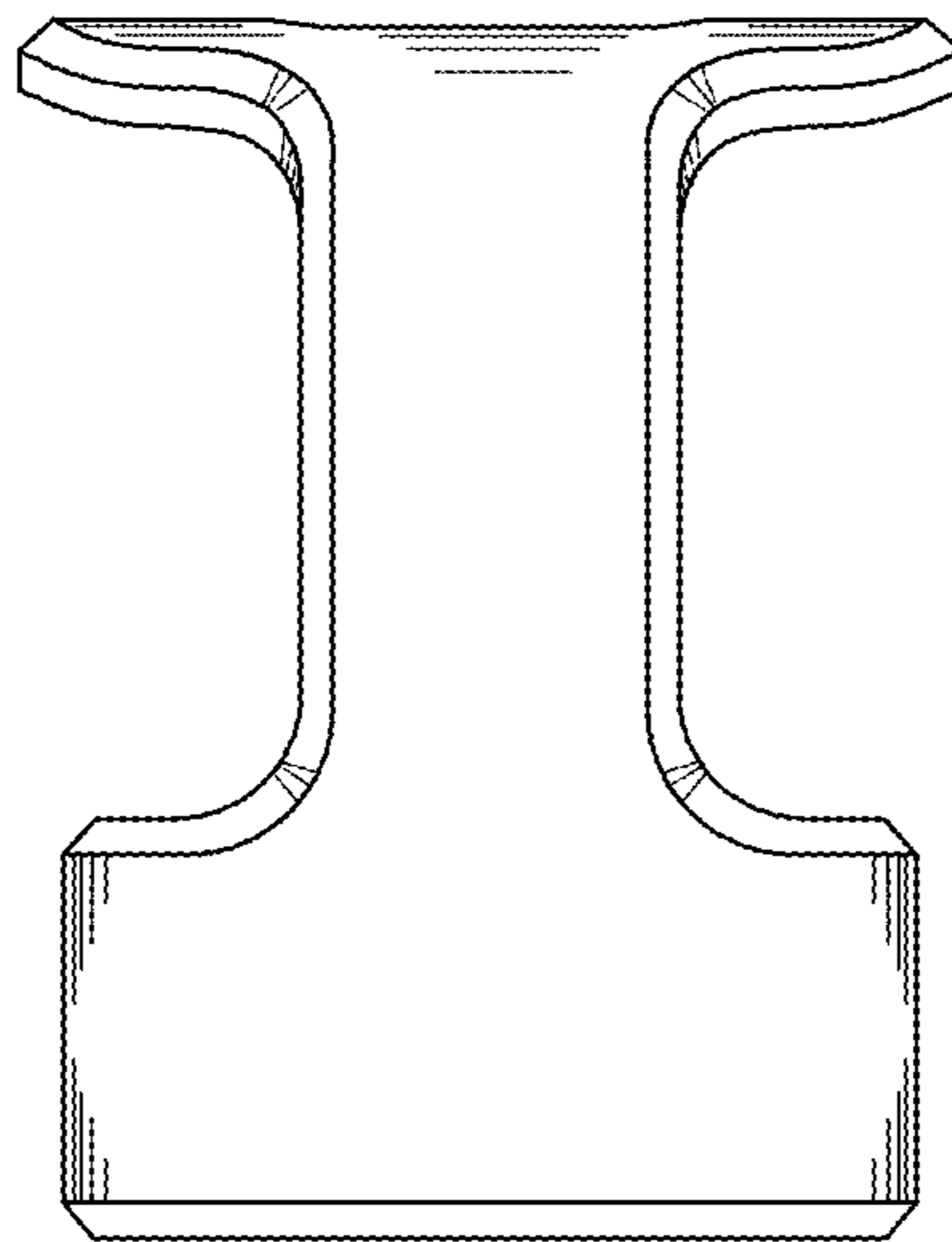


FIG. 4

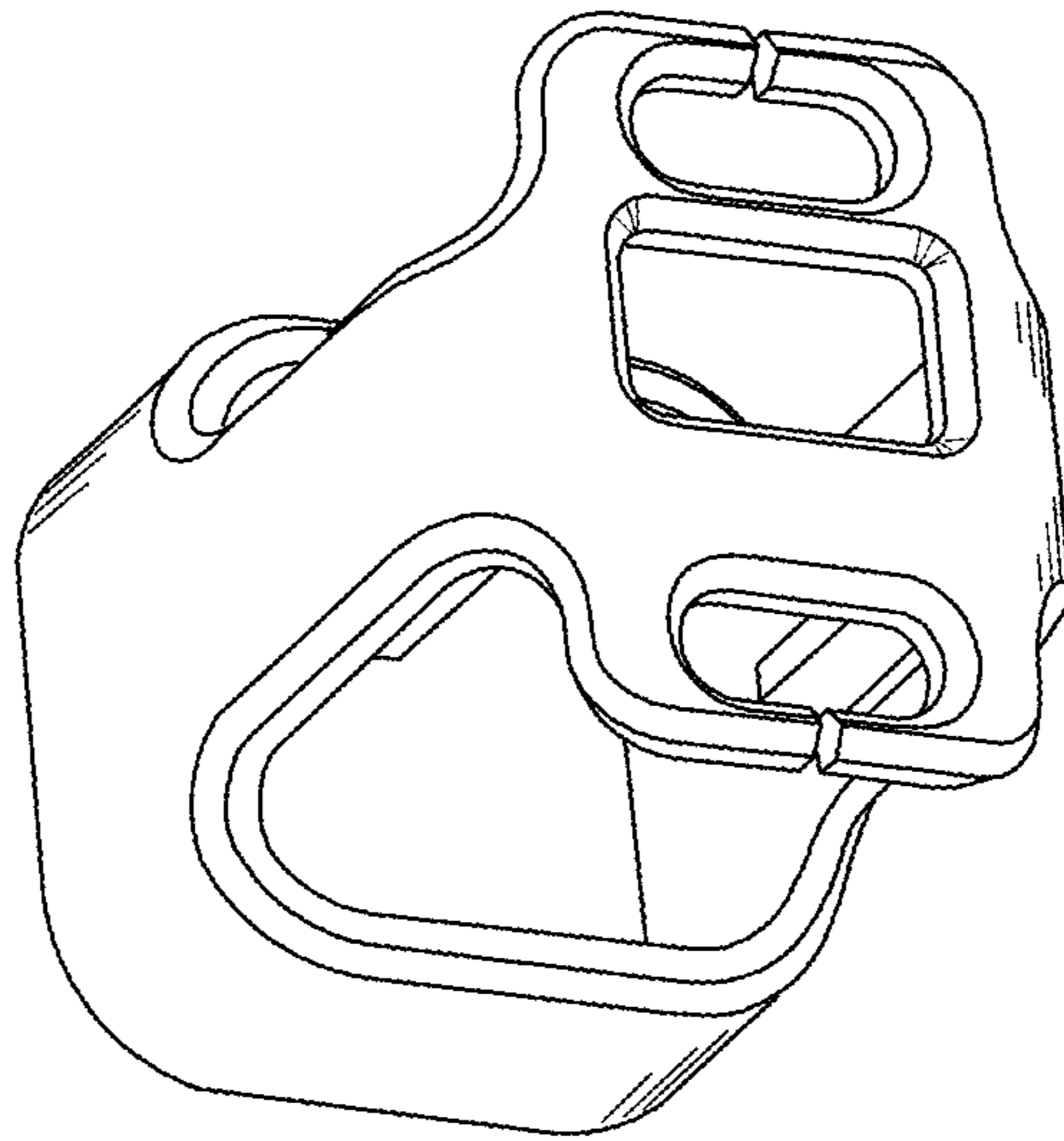


FIG. 5

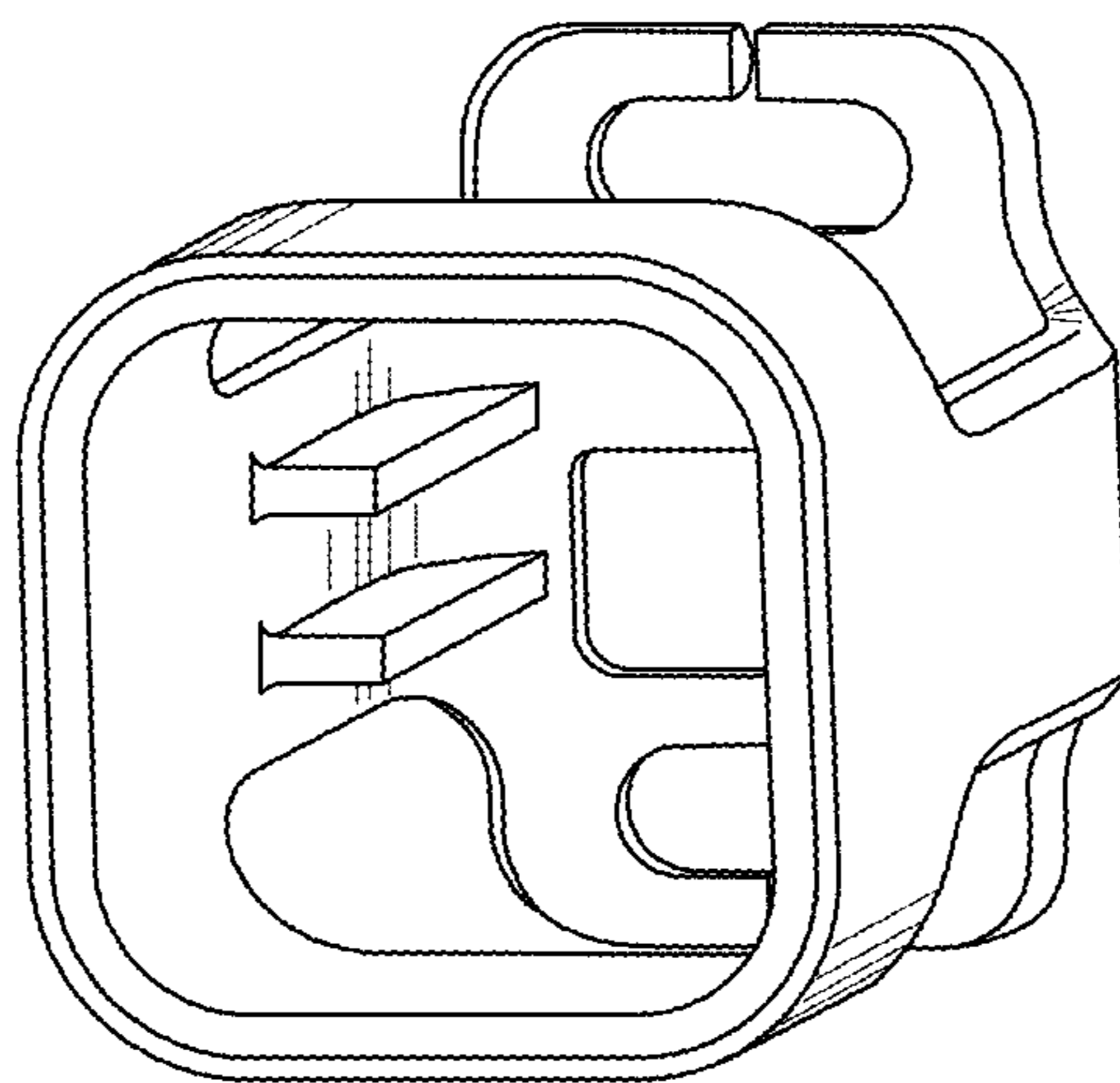


FIG. 6