



US00D911821S

(12) **United States Design Patent**  
**Troxell**

(10) **Patent No.:** **US D911,821 S**

(45) **Date of Patent:** **\*\* Mar. 2, 2021**

(54) **TILE LEVELER**

(71) Applicant: **Ronald Troxell**, Huntington Beach, CA (US)

(72) Inventor: **Ronald Troxell**, Huntington Beach, CA (US)

(73) Assignee: **Southland Tile Tools & Accessories, Inc.**, Corona, CA (US)

(\*\*) Term: **15 Years**

(21) Appl. No.: **29/726,328**

(22) Filed: **Mar. 2, 2020**

(51) **LOC (13) Cl.** ..... **08-05**

(52) **U.S. Cl.**  
USPC ..... **D8/354**

(58) **Field of Classification Search**  
USPC ..... D8/105, 307, 310, 313, 321, 354, 382, D8/387, 71  
CPC ..... E04F 19/06; E04F 21/18; E04F 21/0092; B28D 1/225; G01B 3/30; G09F 2017/0066; G09F 17/00

See application file for complete search history.

(56) **References Cited**

**U.S. PATENT DOCUMENTS**

8,079,199	B1 *	12/2011	Kufner	.....	E04F 13/0892
					52/749.11
D678,039	S *	3/2013	Psaila	.....	D8/354
8,635,815	B2	1/2014	Bordin		
D742,719	S *	11/2015	Komura	.....	D8/349
9,228,363	B2 *	1/2016	Kufner	.....	E04F 21/0092
9,279,259	B1	3/2016	Russo		
9,322,185	B1 *	4/2016	Russo	.....	E04F 21/0092
9,328,522	B2 *	5/2016	Bordin	.....	E04F 21/0092
9,470,002	B2	10/2016	Irvine et al.		
D775,935	S	1/2017	Sarajian et al.		
D778,709	S	2/2017	Russo		
9,657,485	B2 *	5/2017	Meyers	.....	E04F 21/0092
D834,922	S *	12/2018	Russo	.....	D8/355

D837,016	S *	1/2019	Psaila	.....	D8/71
D856,105	S *	8/2019	Dahill	.....	D8/71
D856,772	S *	8/2019	Dahill	.....	D8/71
D862,204	S *	10/2019	Russo	.....	D8/355
D866,297	S *	11/2019	Sighinolfi	.....	D8/354

(Continued)

**FOREIGN PATENT DOCUMENTS**

EP	2 549 030	1/2013
WO	WO201302326	2/2013

*Primary Examiner* — Keli L Hill

*Assistant Examiner* — Harold E Blackwell, II

(74) *Attorney, Agent, or Firm* — Kirk A. Buhler; Buhler & Associates Patenting

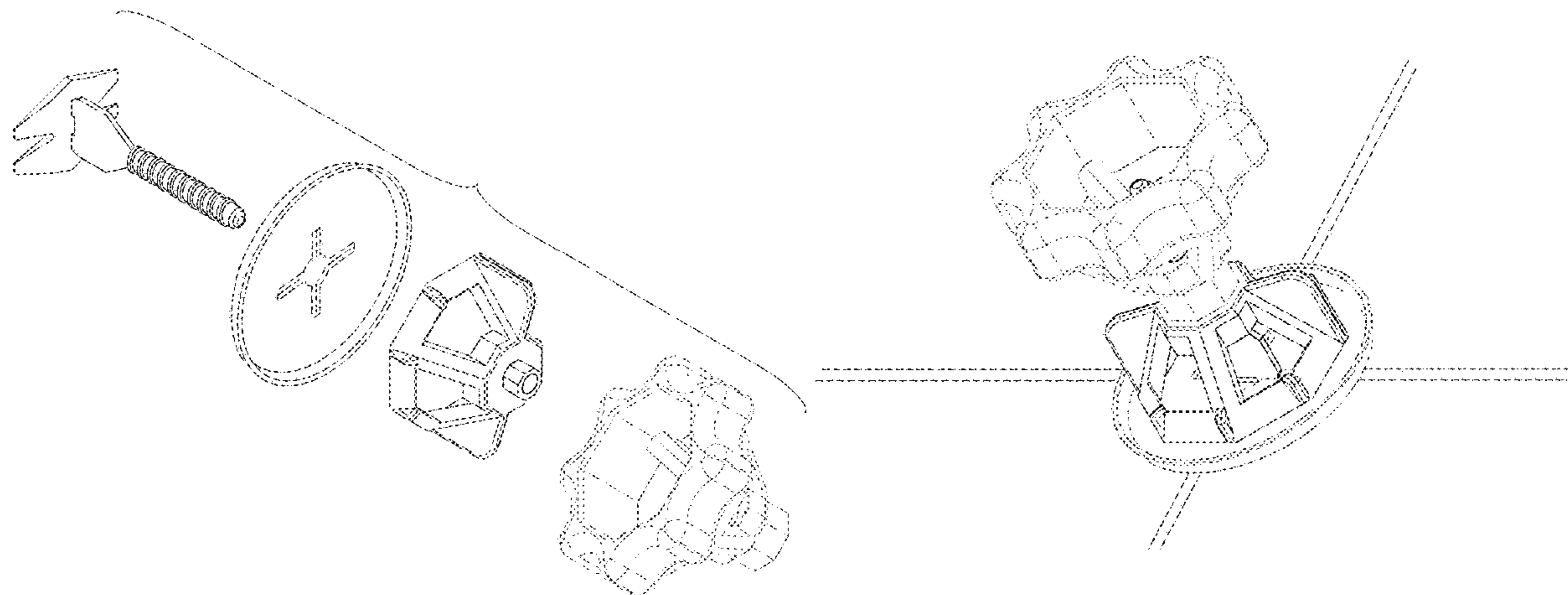
(57) **CLAIM**

The ornamental design for a tile leveler, as shown and described.

**DESCRIPTION**

FIG. 1 is a top perspective view of a tile leveler, showing my new design;  
 FIG. 2 is a left side elevation view, the right-side elevation view being a mirror image thereof;  
 FIG. 3 is a front elevation view, the rear elevation view being a mirror image thereof;  
 FIG. 4 is a top plan view thereof;  
 FIG. 5 is a bottom view thereof;  
 FIG. 6 is a left side sectional view taken along lines 6-6 from FIG. 5 thereof;  
 FIG. 7 is a rear sectional view taken along lines 7-7 from FIG. 5 thereof;  
 FIG. 8 is a bottom perspective view thereof;  
 FIG. 9 is an exploded top perspective view; and,  
 FIG. 10 is a top perspective view shown in an environment of use.  
 The broken lines in FIGS. 1-10 depict environmental subject matter and form no part of the claimed design.

**1 Claim, 7 Drawing Sheets**



(56)

**References Cited**

U.S. PATENT DOCUMENTS

10,577,813 B2 \* 3/2020 Dahill ..... E04F 15/02022  
2009/0126213 A1 \* 5/2009 Tavy ..... E04F 21/0092  
33/527  
2013/0067854 A1 \* 3/2013 Bordin ..... E04F 15/02022  
52/749.11  
2015/0211243 A1 \* 7/2015 Irvine ..... E04F 21/22  
52/126.1  
2015/0267420 A1 \* 9/2015 Fontana ..... E04F 21/22  
52/126.1  
2016/0369518 A1 12/2016 Sarajian et al.

\* cited by examiner

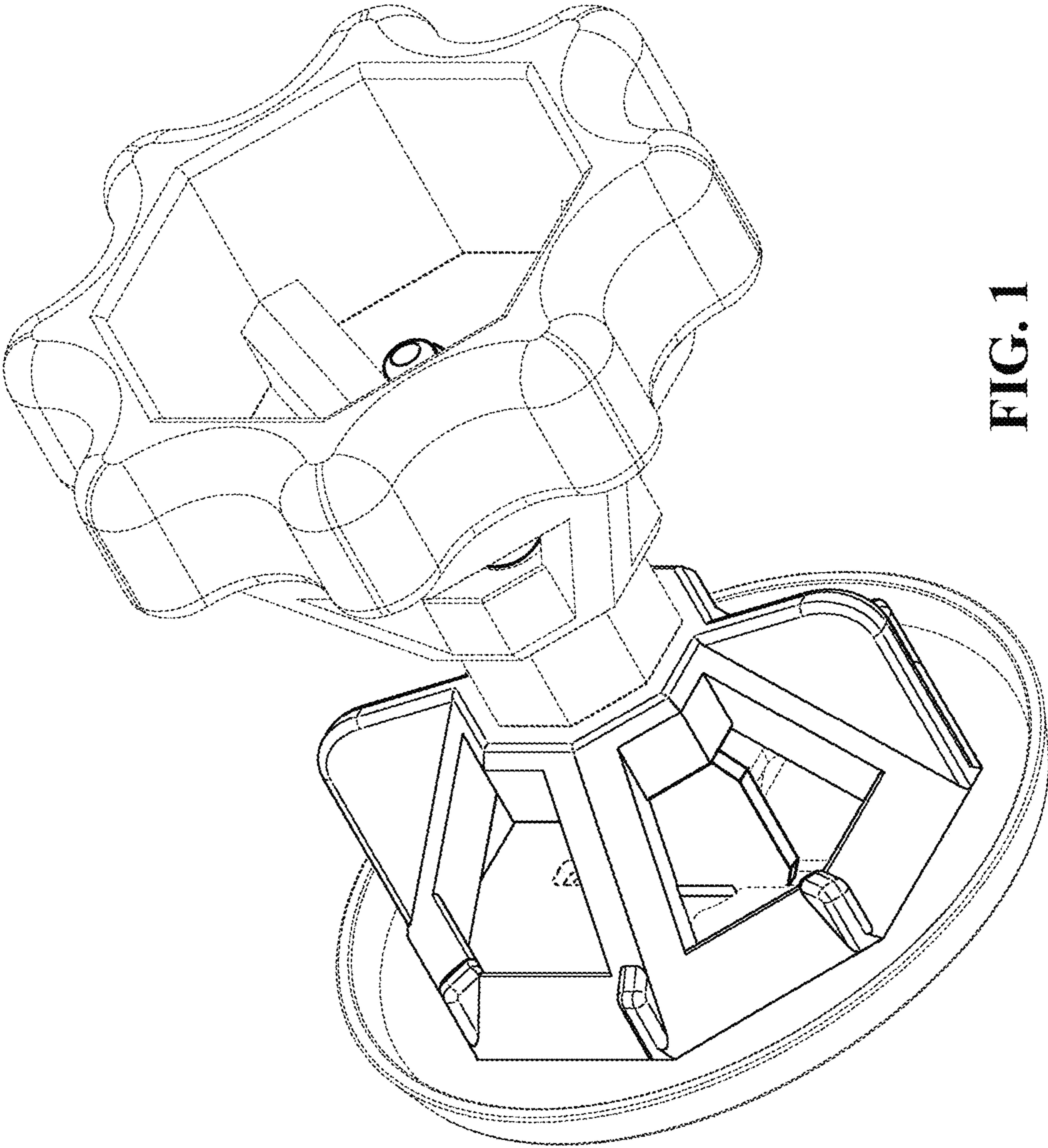
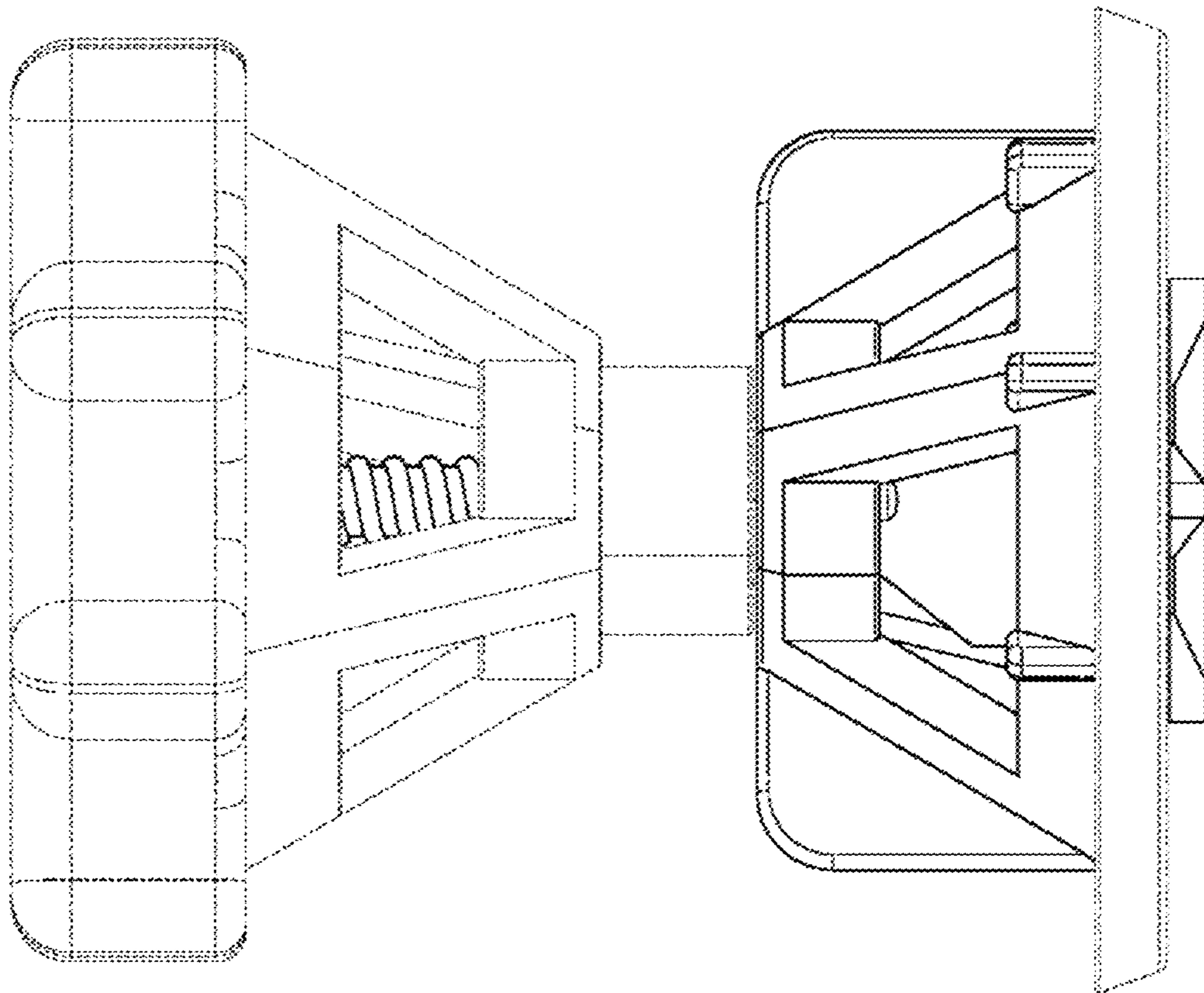
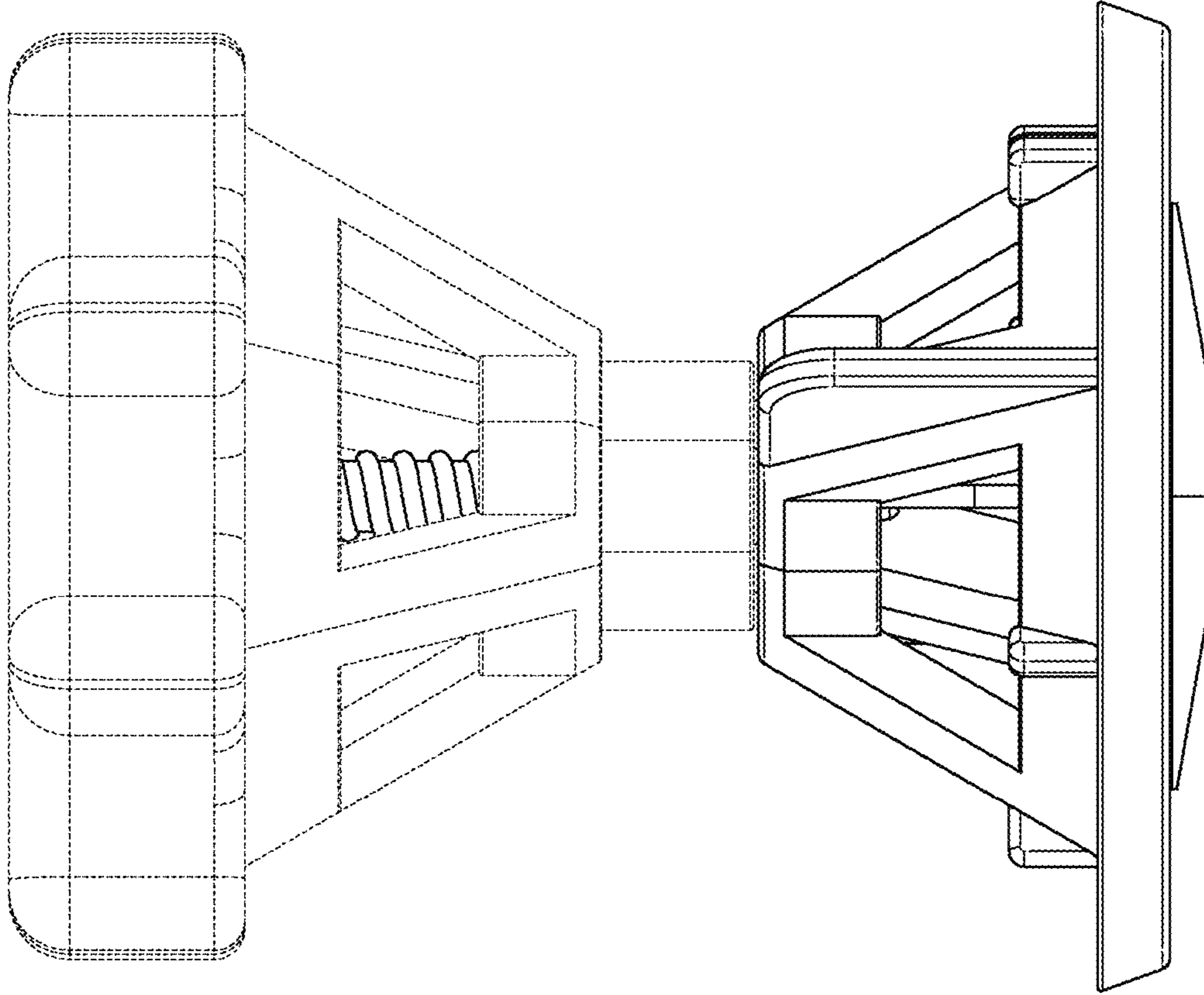
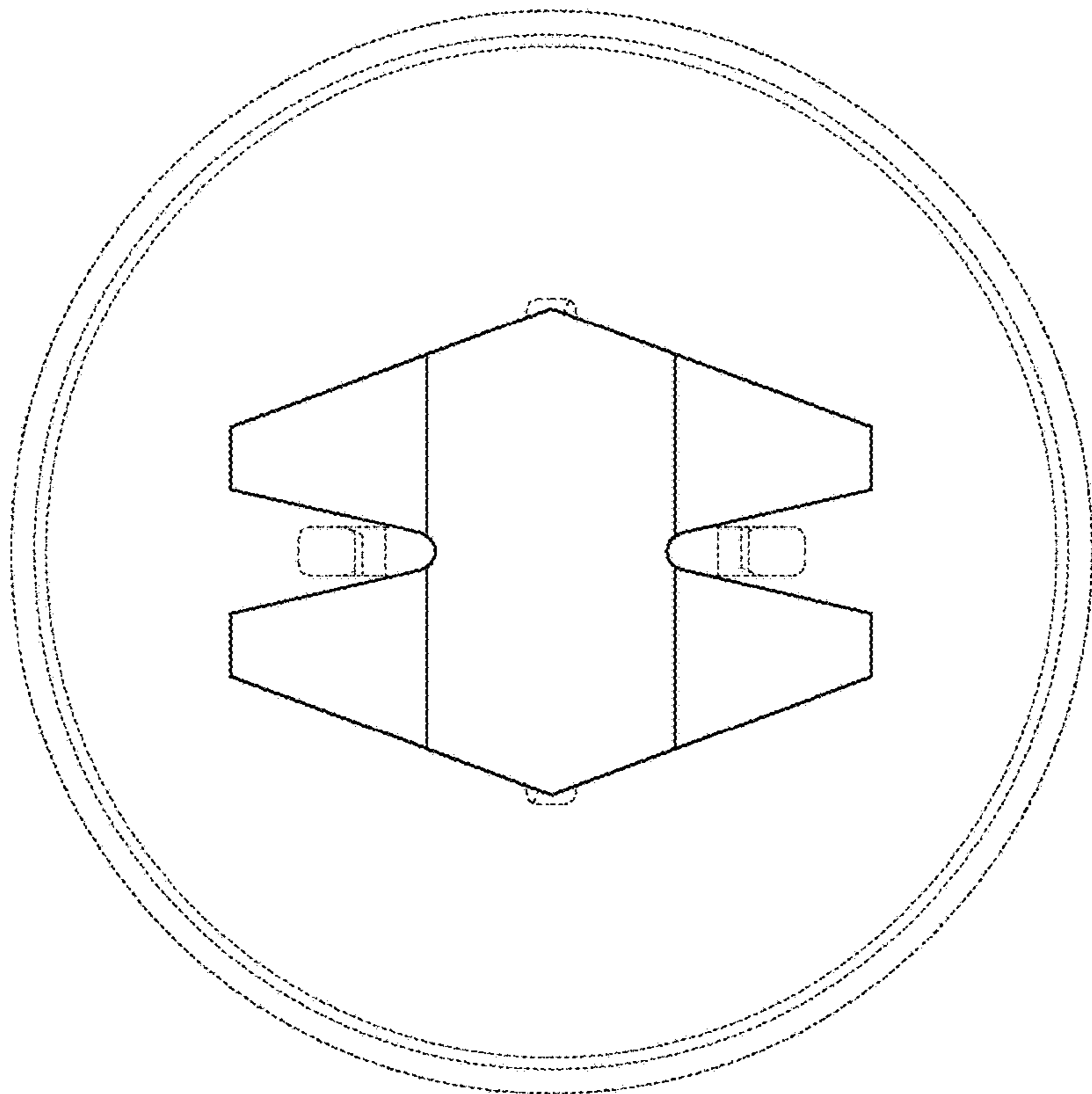
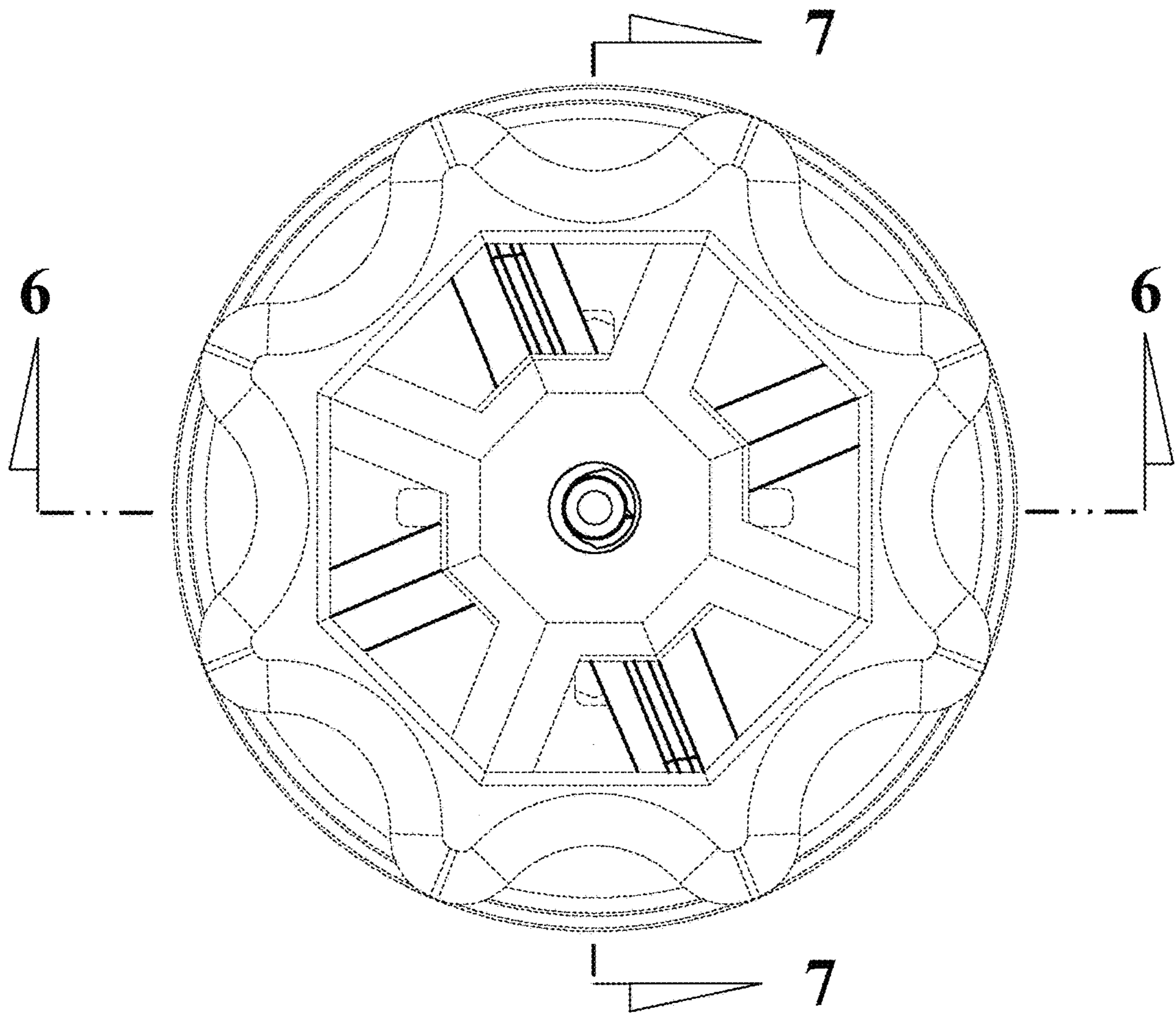


FIG. 1





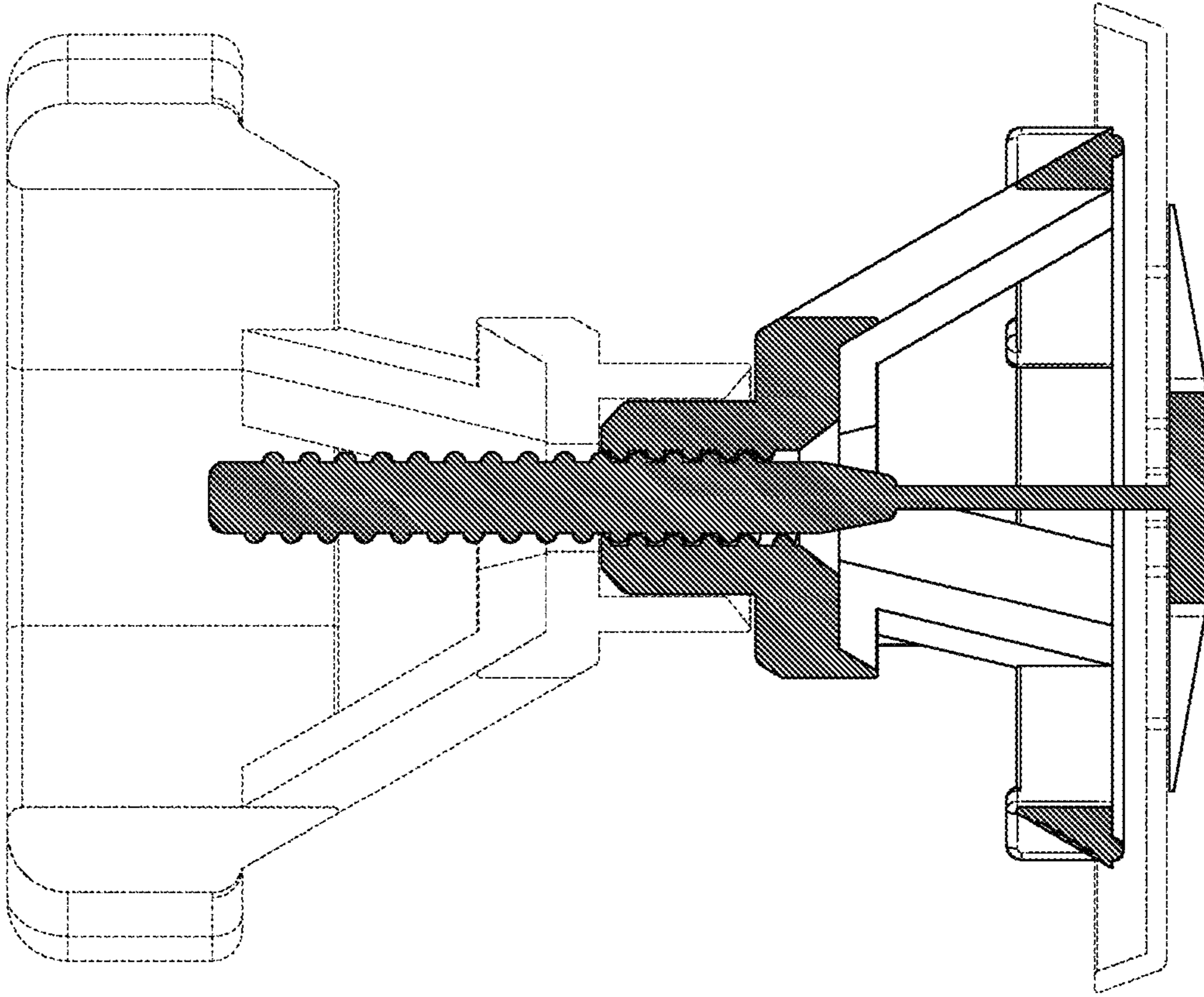


FIG. 6

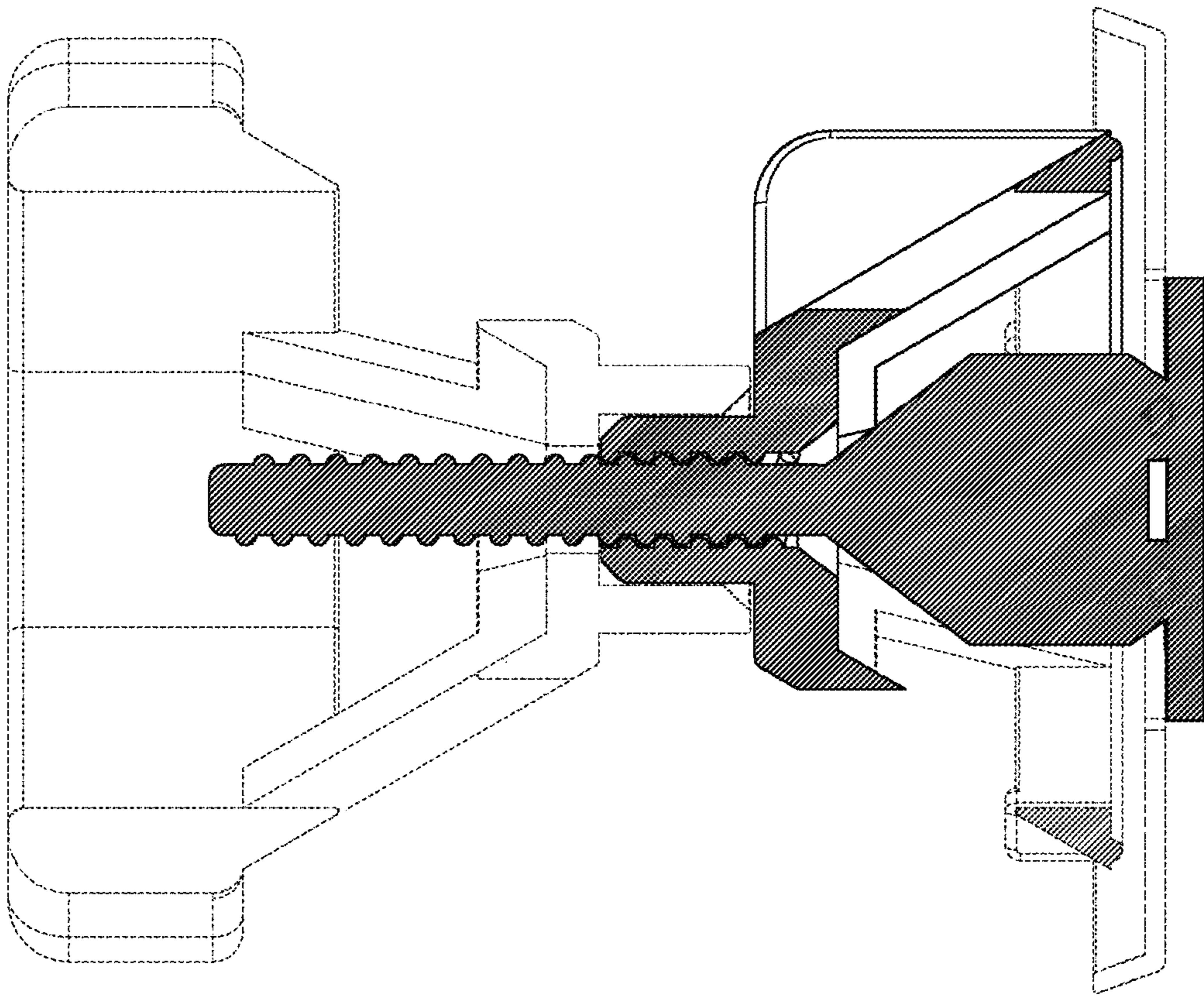


FIG. 7

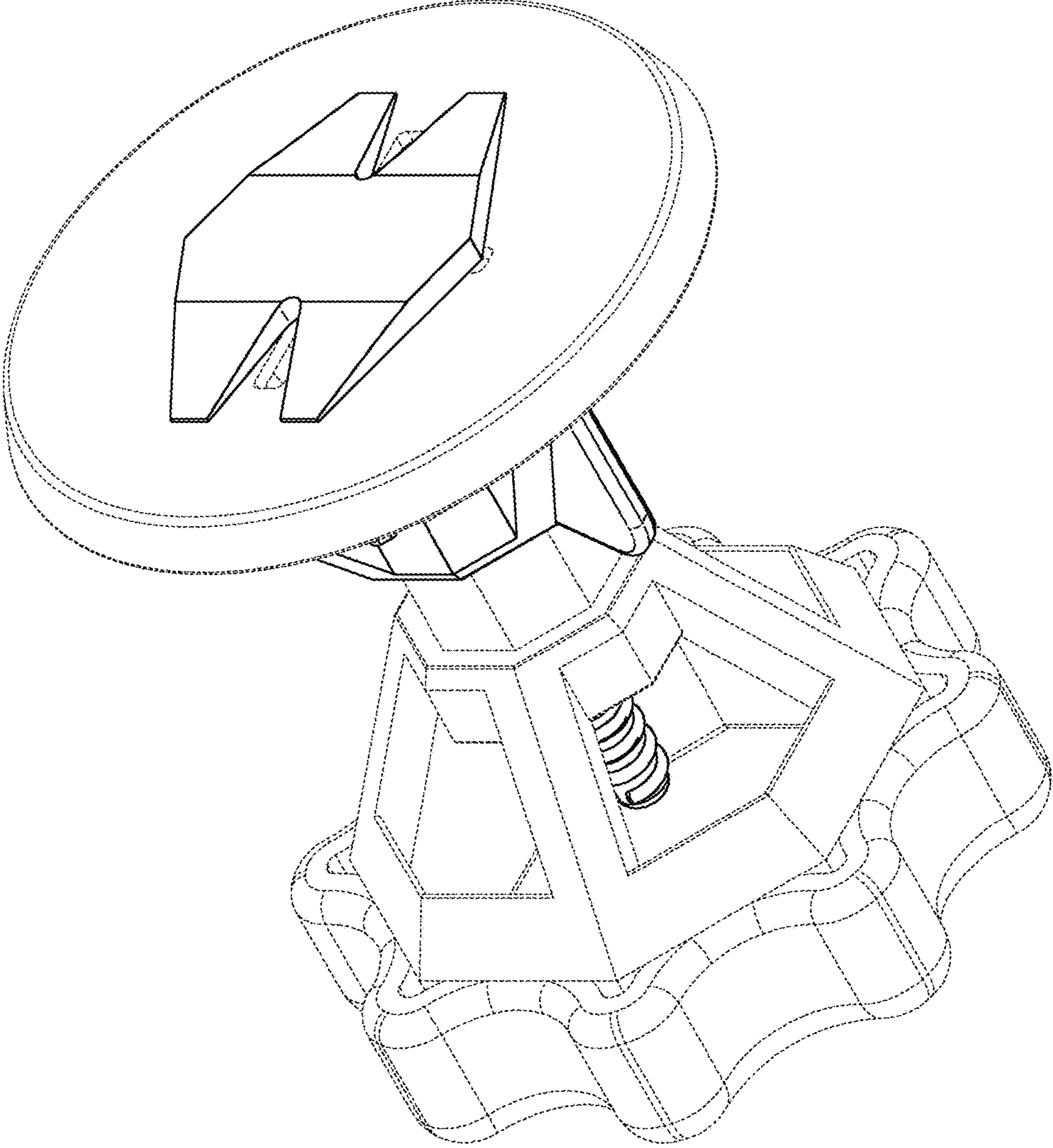


FIG. 8

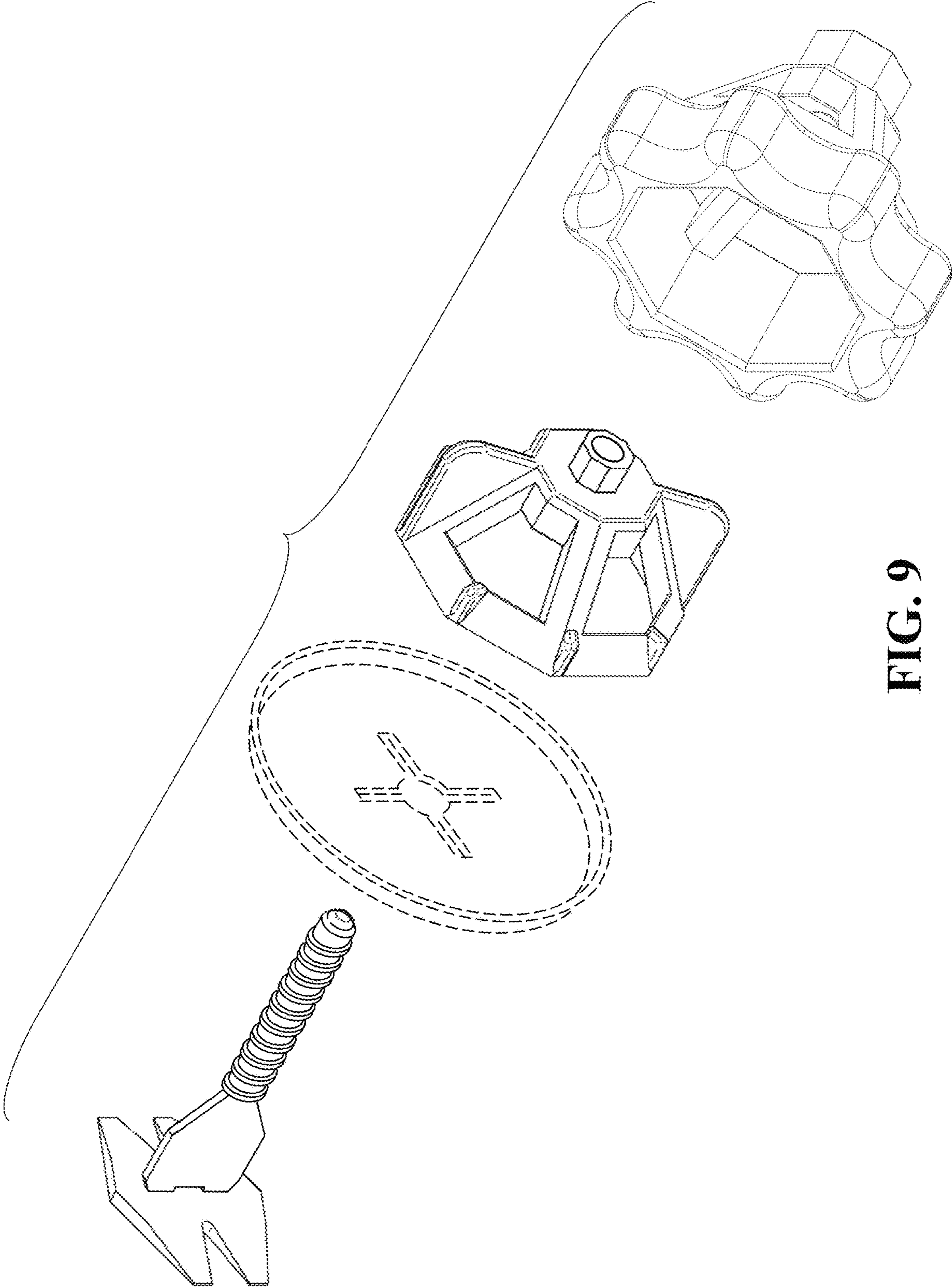
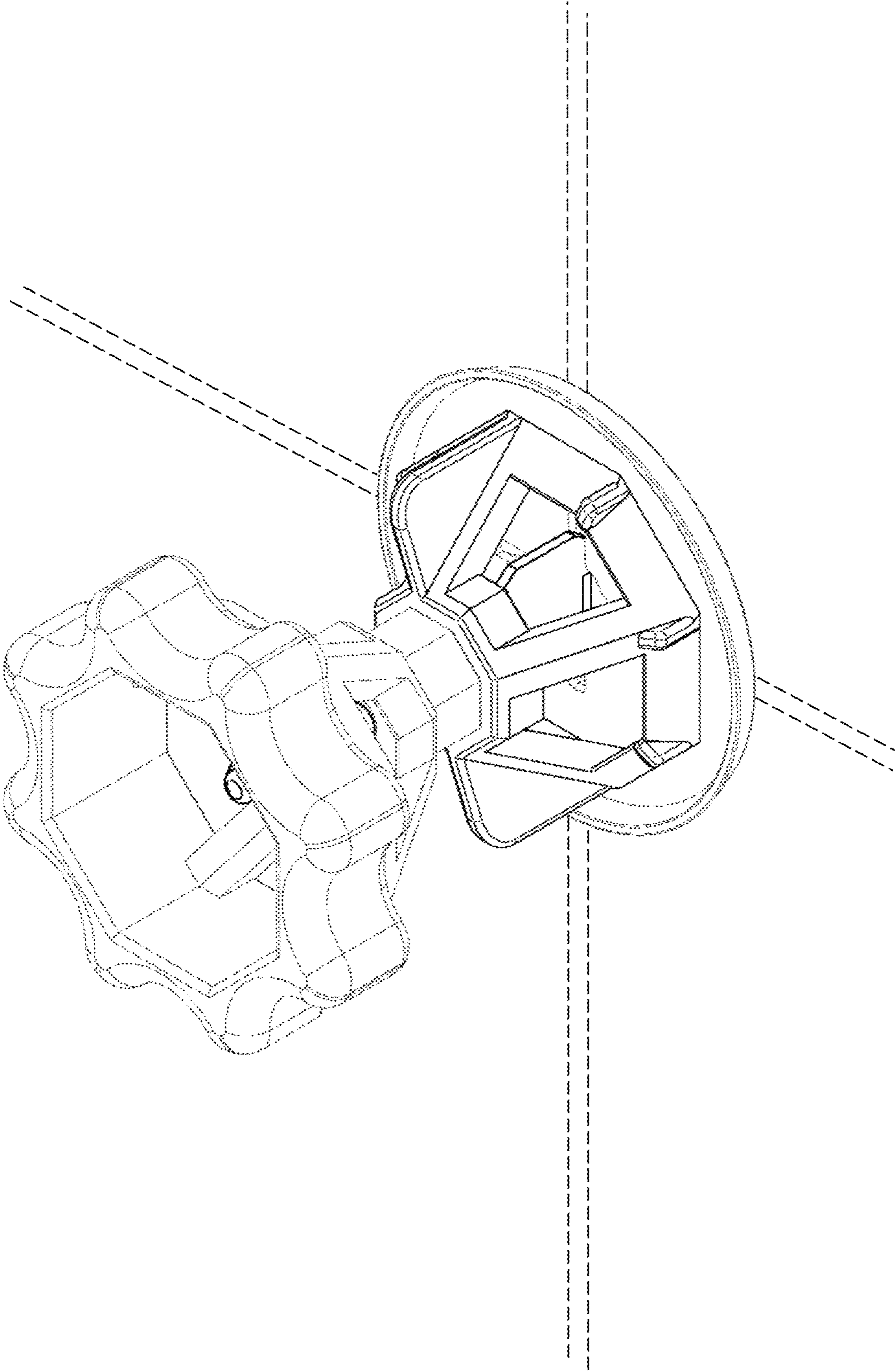


FIG. 9





**FIG. 10**