



US00D911819S

(12) **United States Design Patent** (10) **Patent No.:** **US D911,819 S**  
**Liu** (45) **Date of Patent:** **\*\* Mar. 2, 2021**

(54) **LOCK ESCUTCHEON**  
(71) Applicant: **TAIWAN FU HSING INDUSTRIAL CO., LTD.**, Kaohsiung (TW)  
(72) Inventor: **Ting-Yu Liu**, Kaohsiung (TW)  
(73) Assignee: **Taiwan Fu Hsing Industrial Co., Ltd.**, Kaohsiung (TW)  
(\*\*) Term: **15 Years**  
(21) Appl. No.: **29/713,167**  
(22) Filed: **Nov. 14, 2019**

D813,643 S \* 3/2018 Valencich ..... D8/331  
D833,255 S \* 11/2018 Lee ..... D8/331  
D849,512 S \* 5/2019 Knight ..... D8/353  
D872,560 S \* 1/2020 Watson ..... D8/350  
D872,561 S \* 1/2020 Watson ..... D8/350  
D880,275 S \* 4/2020 Huang ..... D8/350  
D880,276 S \* 4/2020 Sola ..... D8/353  
D881,675 S \* 4/2020 Chen ..... D8/330  
D881,678 S \* 4/2020 Huang ..... D8/350  
D881,680 S \* 4/2020 Huang ..... D8/352  
D887,248 S \* 6/2020 Laurans ..... D8/331  
D887,250 S \* 6/2020 Smith ..... D8/353  
D887,819 S \* 6/2020 Smith ..... D8/353  
D895,396 S \* 9/2020 Sweeney ..... D8/330

(30) **Foreign Application Priority Data**  
Sep. 6, 2019 (TW) ..... 108305411  
(51) **LOC (13) Cl.** ..... **11-05**  
(52) **U.S. Cl.**  
USPC ..... **D8/350; D8/330**  
(58) **Field of Classification Search**  
USPC ..... D8/330, 350, 351, 352, 353  
CPC ..... G05B 19/00; G05B 15/00; E05B 49/00;  
E05B 49/02; E05B 9/00  
See application file for complete search history.

**OTHER PUBLICATIONS**

International Search Report Issued by a Foreign Patent Office.

\* cited by examiner

*Primary Examiner* — Mark A Goodwin  
*Assistant Examiner* — Benjamin M Weeks  
(74) *Attorney, Agent, or Firm* — Rosenberg, Klein & Lee

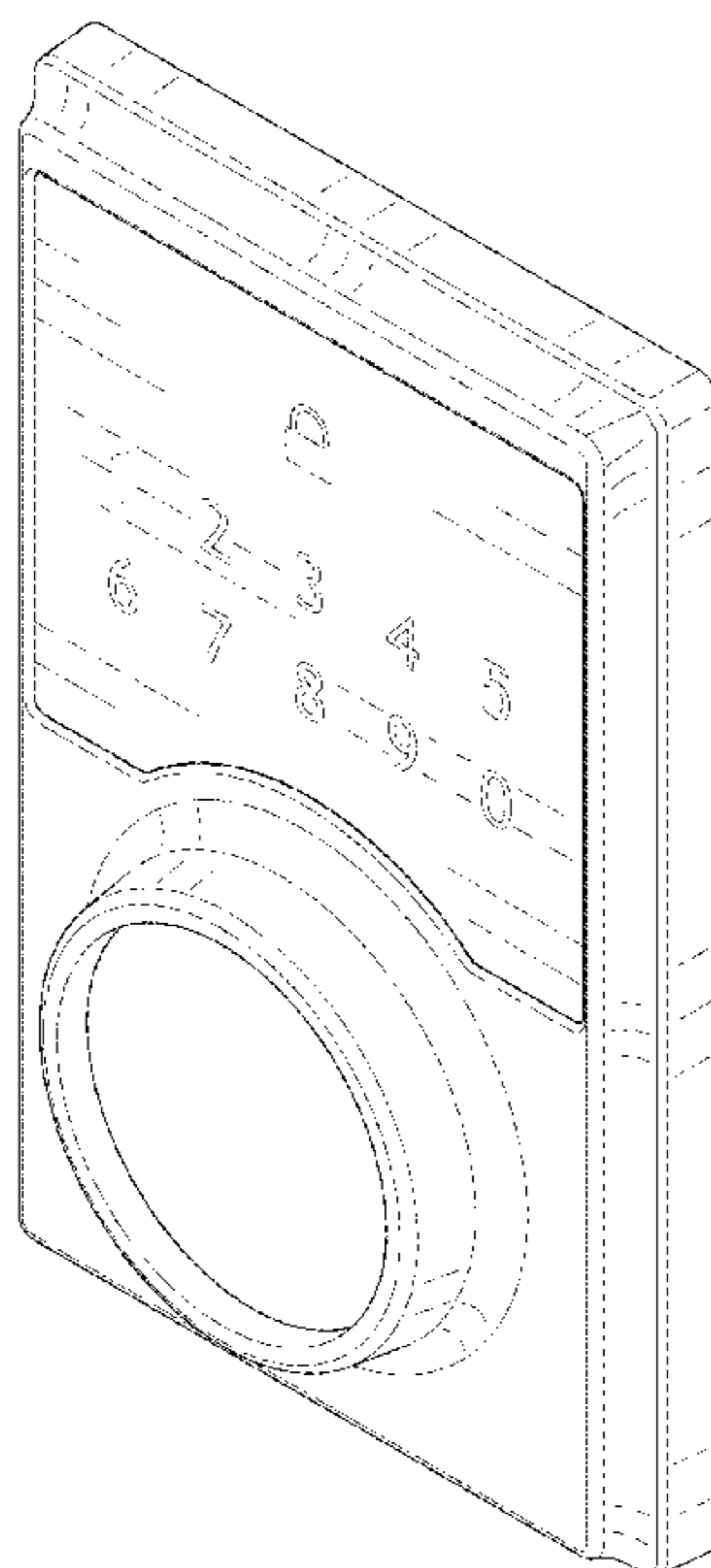
(56) **References Cited**  
**U.S. PATENT DOCUMENTS**  
D577,985 S \* 10/2008 Kidman ..... D8/353  
D637,472 S \* 5/2011 Singtoroj ..... D8/330  
D637,474 S \* 5/2011 Schneider ..... D8/350  
D682,657 S \* 5/2013 Roberts, III ..... D8/331  
D736,590 S \* 8/2015 Roberts, III ..... D8/330  
D736,591 S \* 8/2015 Groleski ..... D8/330  
D737,661 S \* 9/2015 Chan ..... D8/350  
D778,708 S \* 2/2017 Jeng ..... D8/331  
D782,283 S \* 3/2017 Chiang ..... D8/353  
D782,284 S \* 3/2017 Chiang ..... D8/353  
D813,012 S \* 3/2018 Valencich ..... D8/331

(57) **CLAIM**  
The ornamental design for a lock escutcheon, as shown and described.

**DESCRIPTION**

FIG. 1 is a perspective view of the lock escutcheon showing my new design;  
FIG. 2 is a front elevational view thereof;  
FIG. 3 is a left side elevational view thereof;  
FIG. 4 is a right side elevational view thereof;  
FIG. 5 is a top plan view thereof; and,  
FIG. 6 is a bottom plan view thereof.  
The rear view forms no part of the claimed design and is omitted.

**1 Claim, 6 Drawing Sheets**



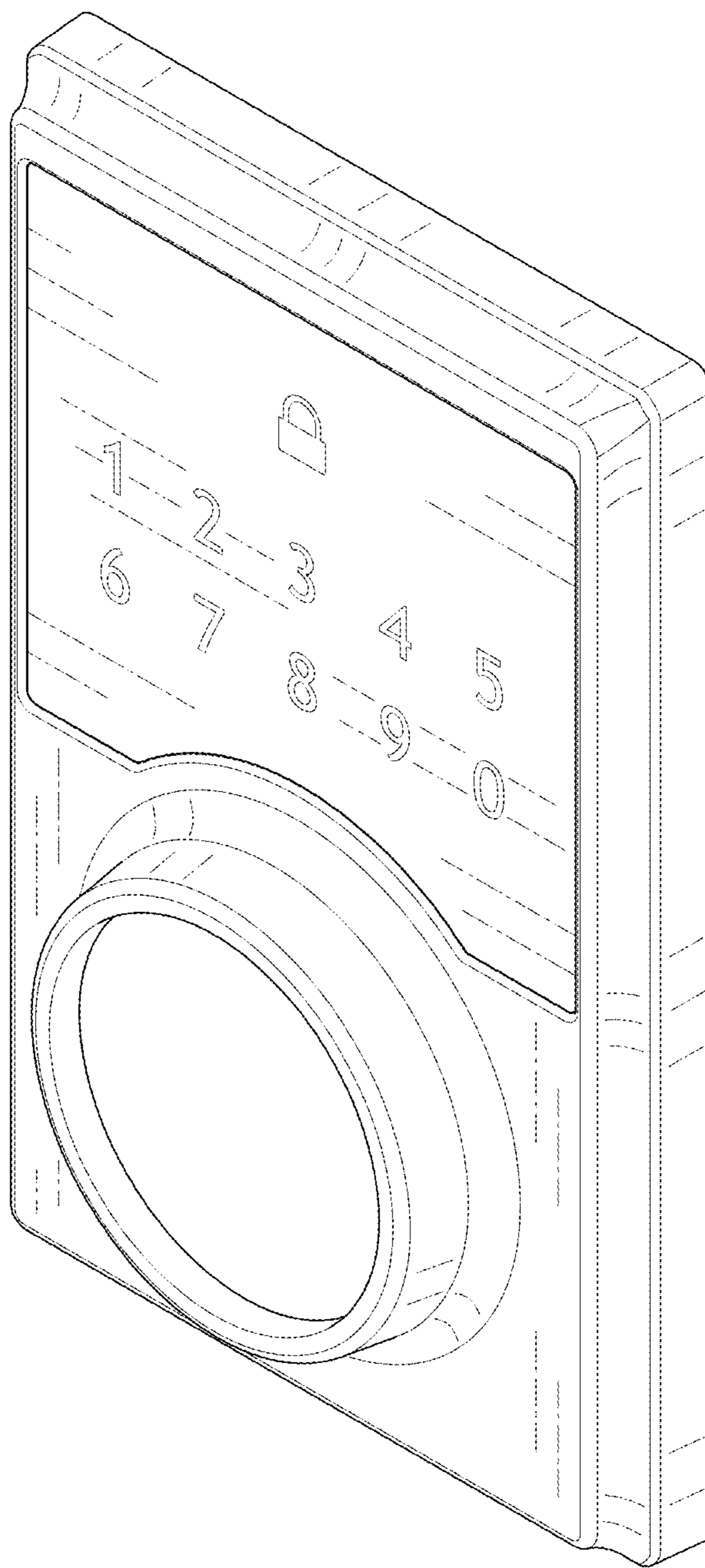


FIG.1

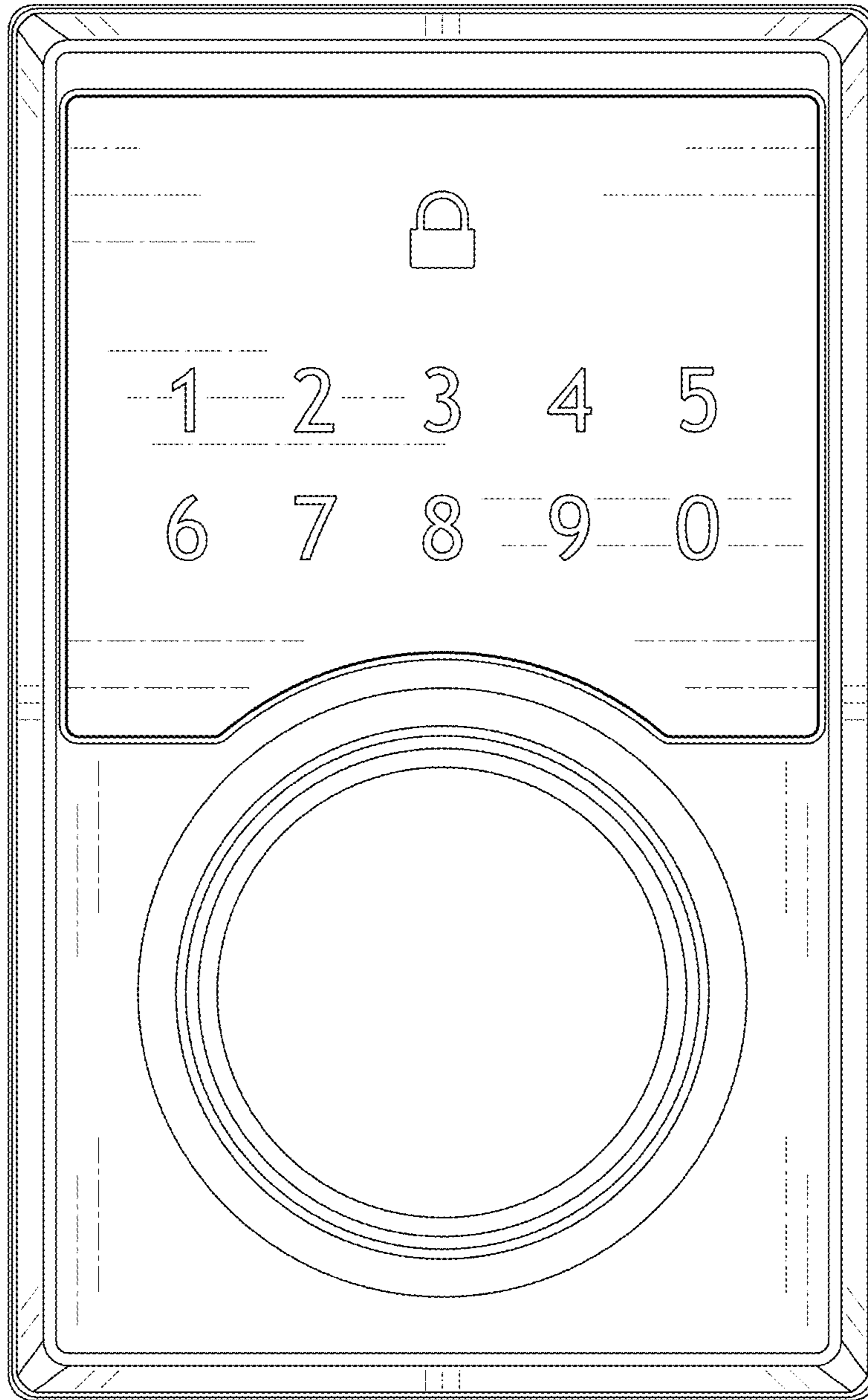


FIG.2

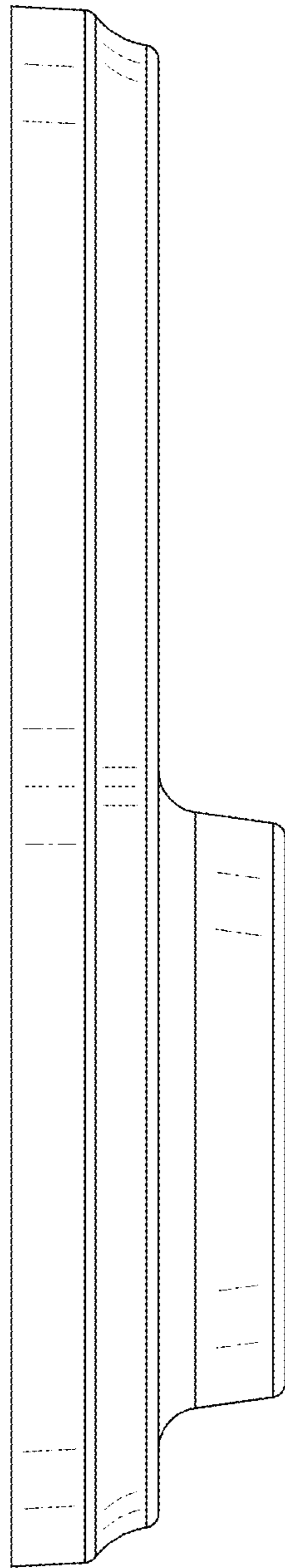


FIG.3

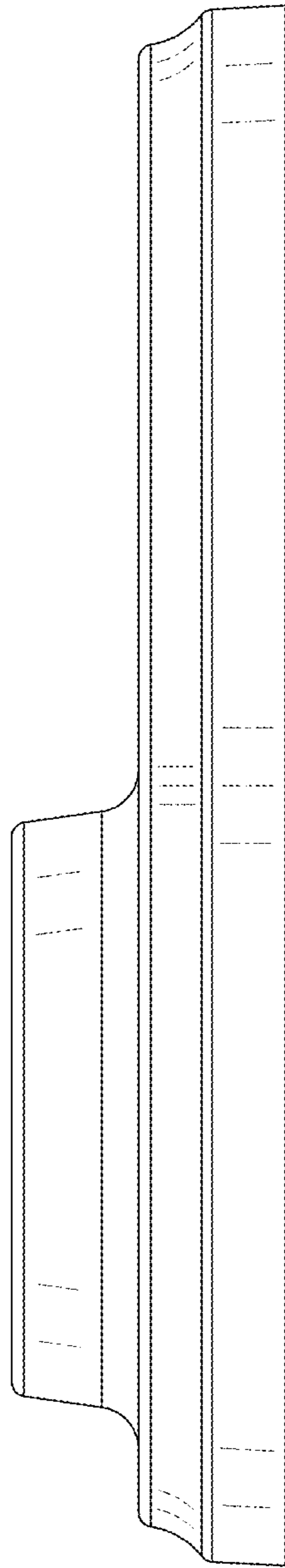


FIG.4

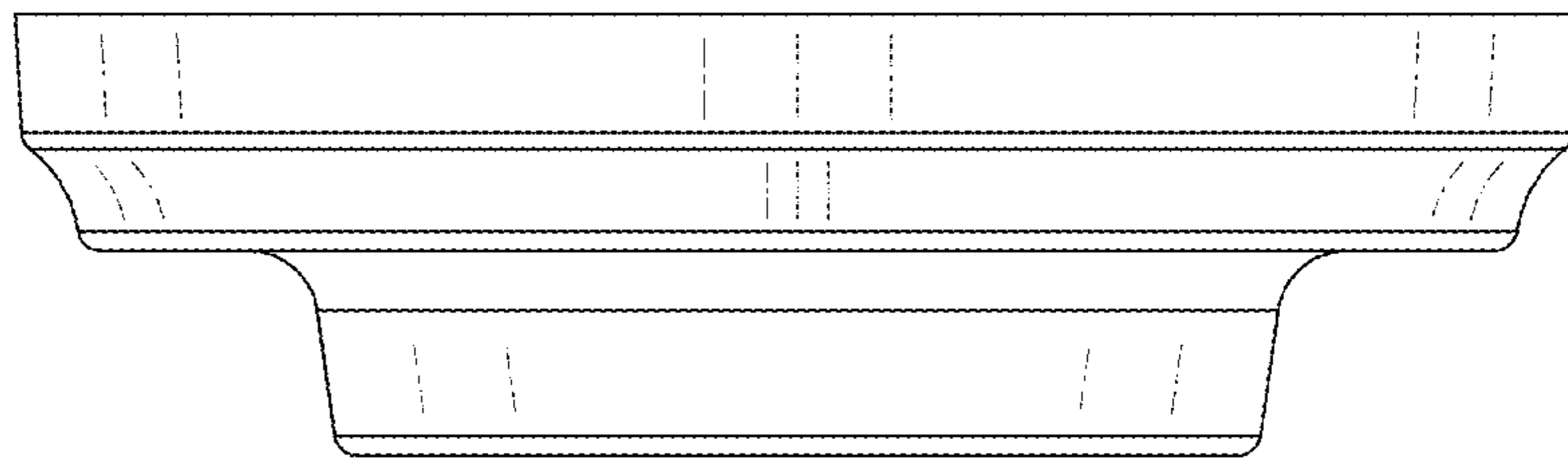


FIG.5

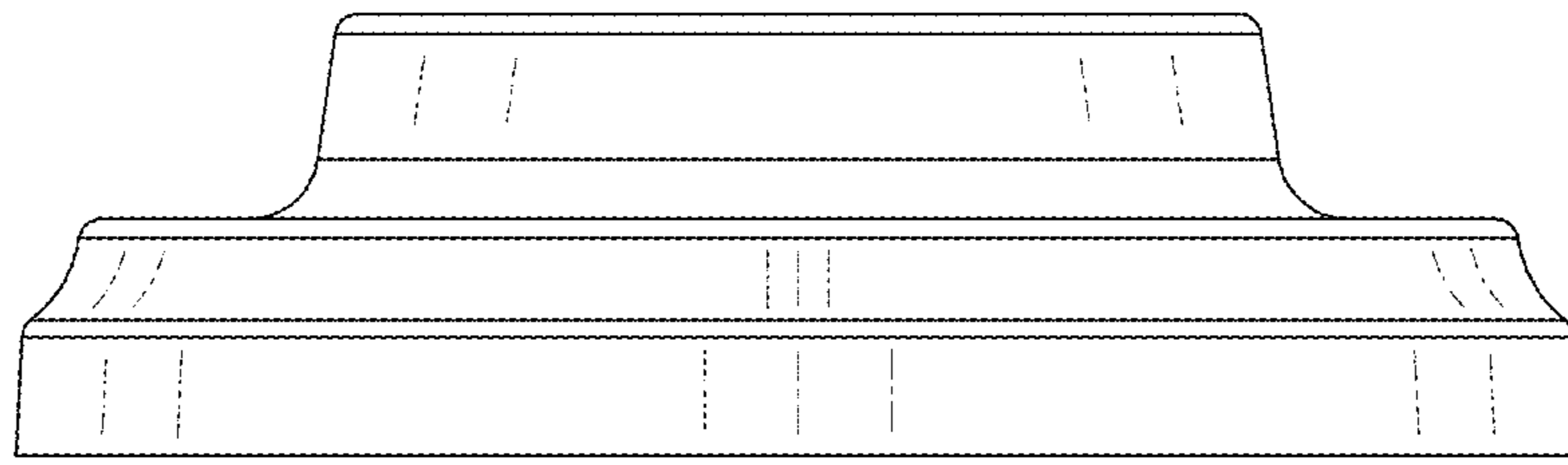


FIG.6