



US00D911816S

(12) **United States Design Patent**
Zhang

(10) **Patent No.:** **US D911,816 S**
(45) **Date of Patent:** **** Mar. 2, 2021**

- (54) **PLASTIC HANGER**
- (71) Applicant: **Jinhui Zhang**, Zhangjiagang (CN)
- (72) Inventor: **Jinhui Zhang**, Zhangjiagang (CN)
- (73) Assignee: **Zhangjiagang SMK MFG. Co., Ltd.**,
Zhangjiagang (CN)

D471,788 S *	3/2003	Gebara	D8/354
D492,580 S *	7/2004	Tyburk	D8/373
D619,877 S *	7/2010	Siebuhr	D8/354
D720,166 S *	12/2014	Trindall	D6/683.1
D760,066 S *	6/2016	Krenek	D8/354
D785,442 S *	5/2017	Tseng	D8/354
9,675,149 B1 *	6/2017	Saffold	A47G 25/0614
D901,193 S *	11/2020	Liu	D6/326
10,835,038 B2 *	11/2020	Johannesson	A47B 97/00

(**) Term: **15 Years**

* cited by examiner

(21) Appl. No.: **29/711,066**

Primary Examiner — Mark A Goodwin
Assistant Examiner — Benjamin M Weeks

(22) Filed: **Oct. 28, 2019**

(51) **LOC (13) Cl.** **08-08**

(52) **U.S. Cl.**
USPC **D8/349**

(58) **Field of Classification Search**
USPC D8/349, 350–353, 354, 355, 363,
D8/373–377
CPC .. A47F 5/00; A47H 1/10; A47G 29/00; A47G
29/08; A47B 97/00; A47K 3/14
See application file for complete search history.

(57) **CLAIM**

The ornamental design for a plastic hanger, as shown and described.

DESCRIPTION

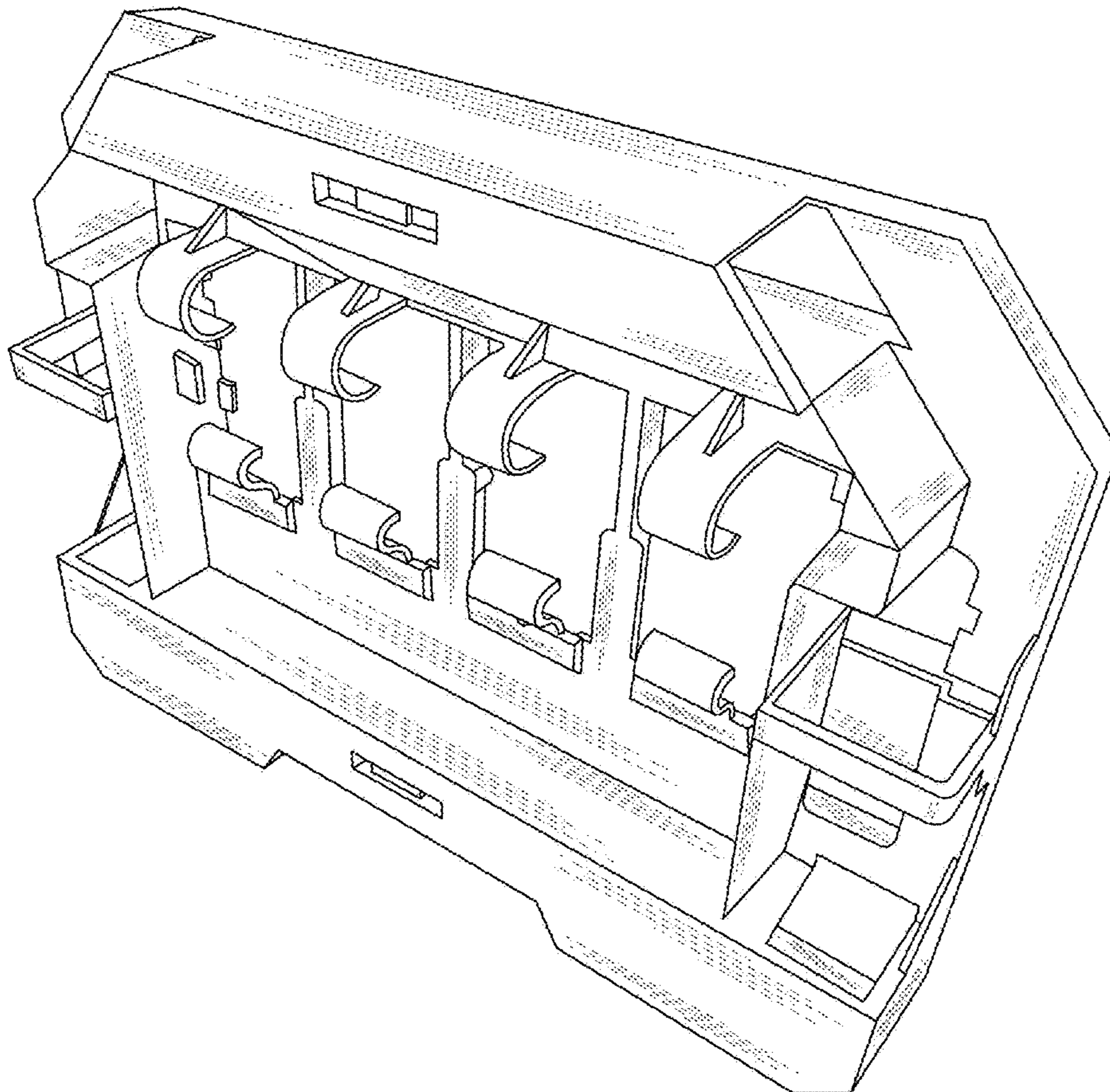
FIG. 1 is a perspective view of a plastic hanger showing my new design;
FIG. 2 is a front elevation view thereof;
FIG. 3 is a rear elevation view thereof;
FIG. 4 is a left side elevation view thereof;
FIG. 5 is a right side elevation view thereof;
FIG. 6 is a top plan view thereof; and,
FIG. 7 is a bottom plan view thereof.

(56) **References Cited**

U.S. PATENT DOCUMENTS

D316,028 S *	4/1991	Wallace	D8/354
D469,262 S *	1/2003	Umbarger	D6/320

1 Claim, 7 Drawing Sheets



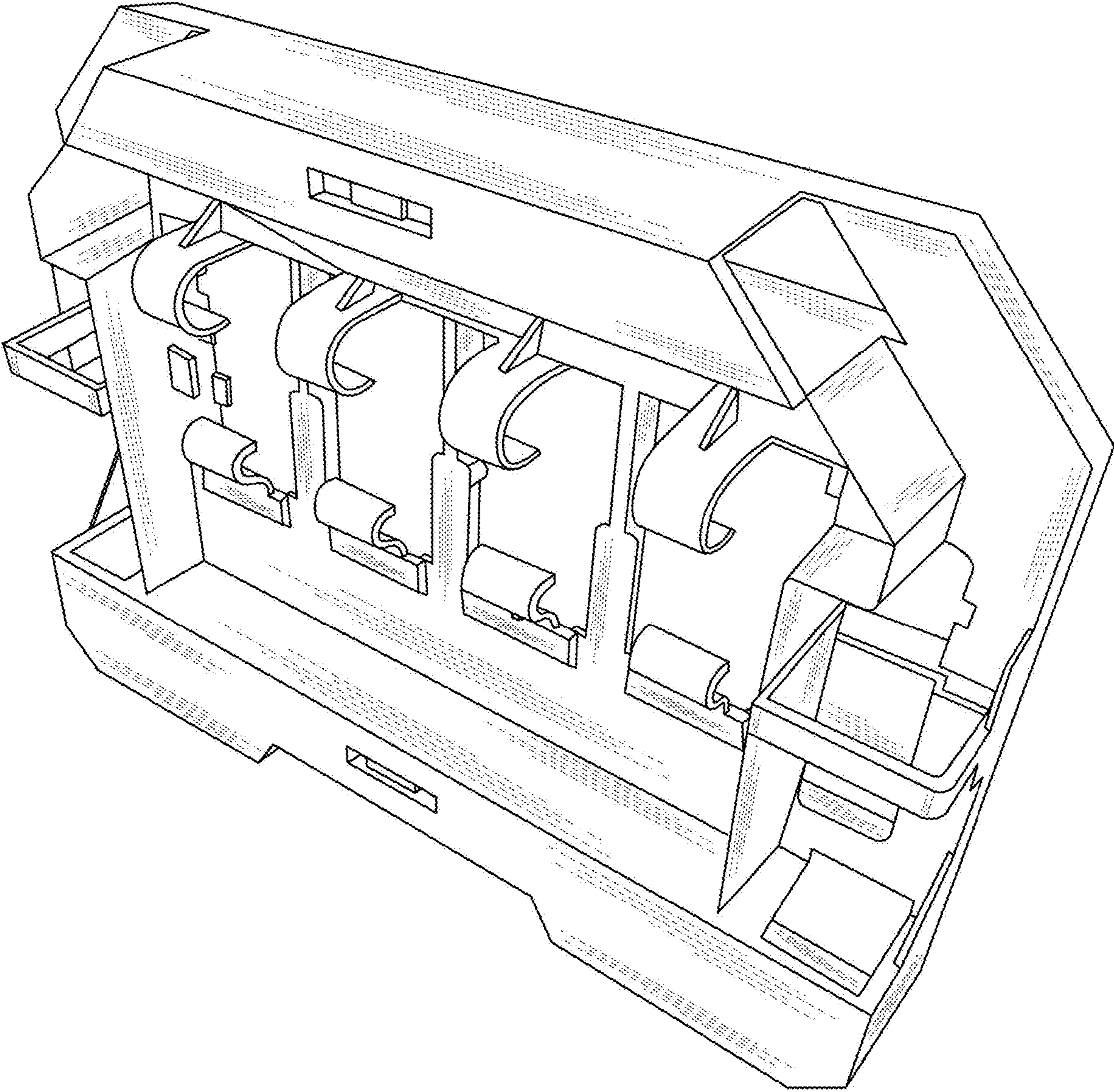


FIG.1

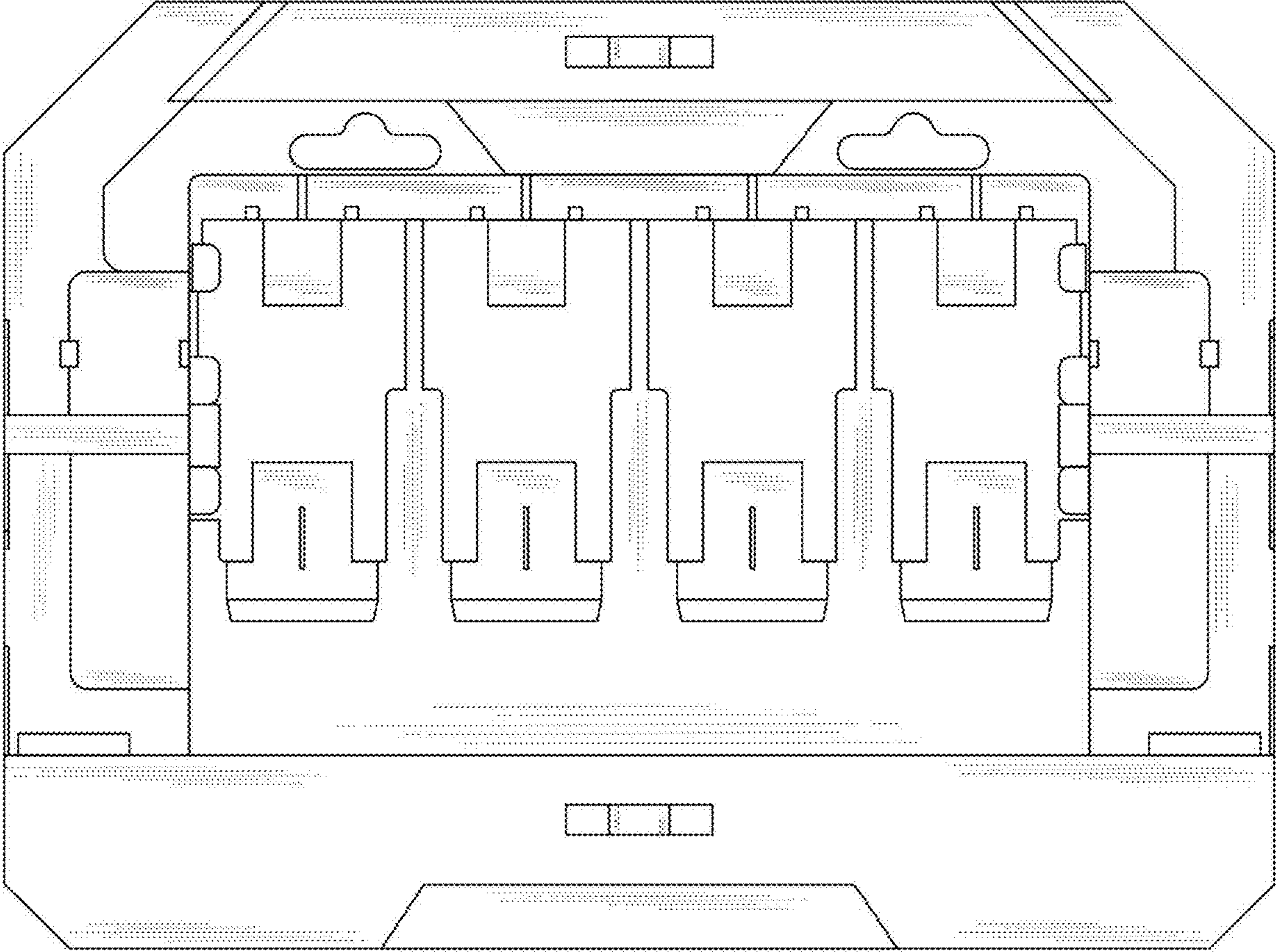


FIG.2

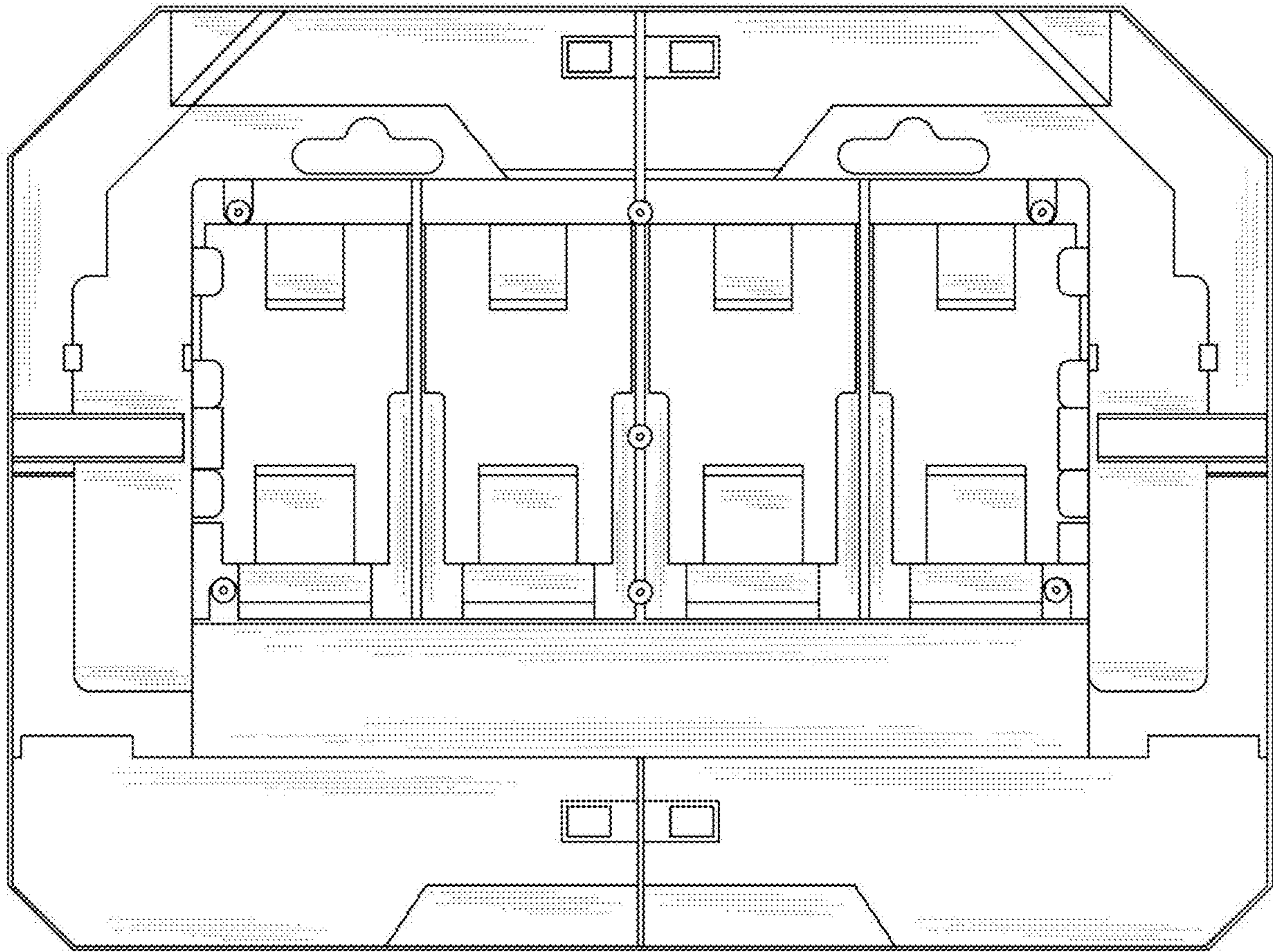


FIG.3

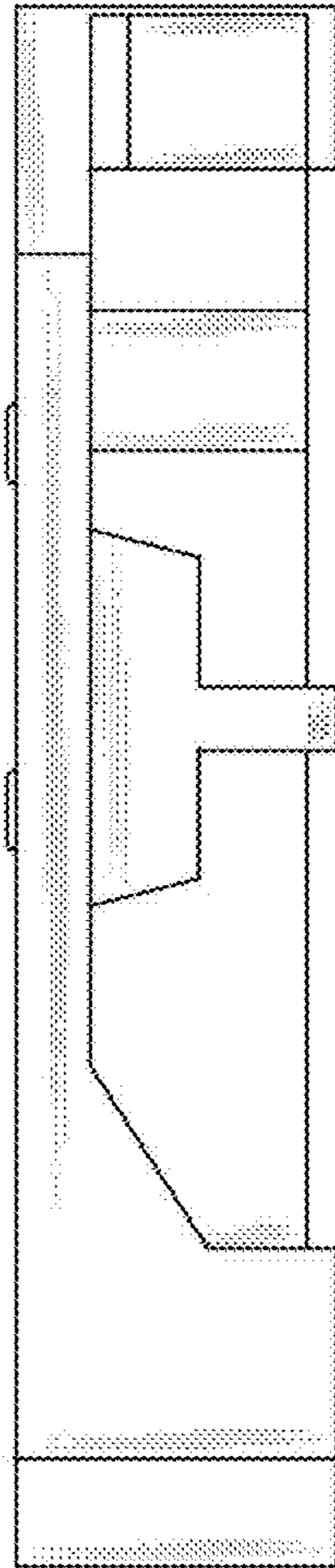


FIG.4

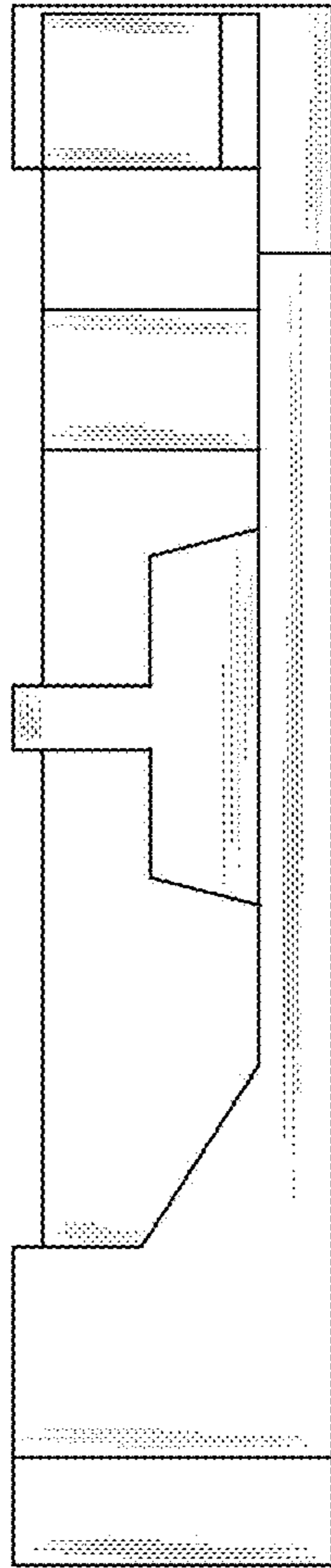


FIG. 5

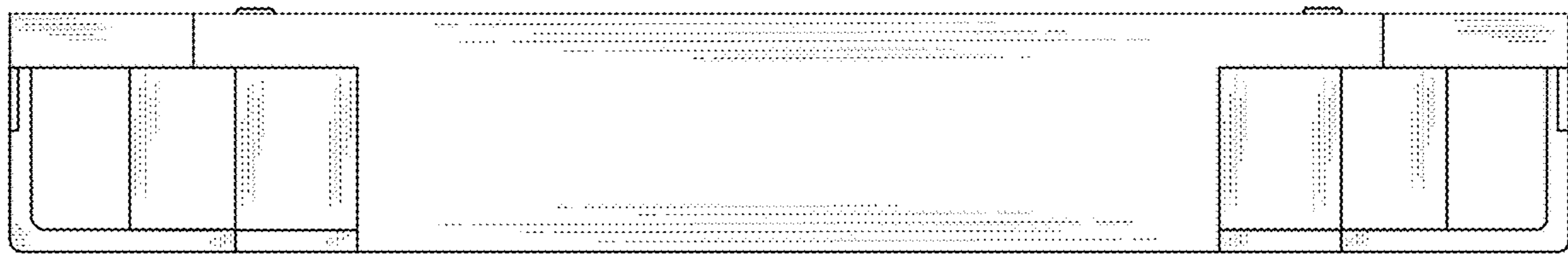


FIG. 6

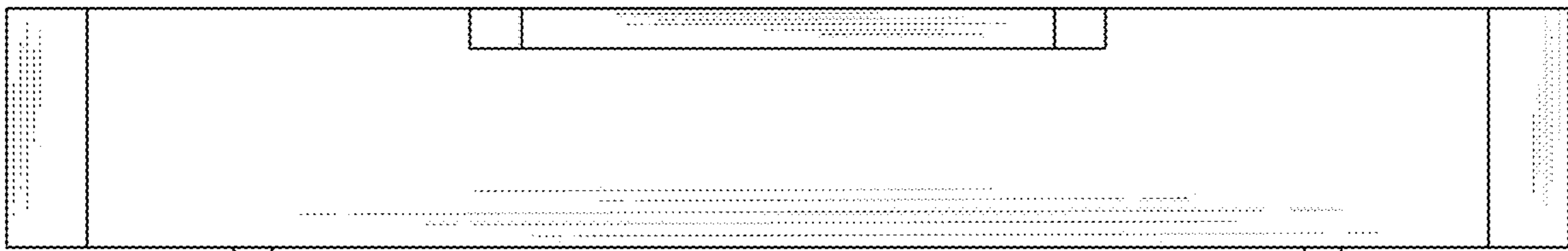


FIG. 7