



US00D911815S

(12) **United States Design Patent**
Zhang

(10) **Patent No.:** **US D911,815 S**

(45) **Date of Patent:** **** Mar. 2, 2021**

(54) **PLASTIC HANGER**

(71) Applicant: **Jinhui Zhang**, Zhangjiagang (CN)

(72) Inventor: **Jinhui Zhang**, Zhangjiagang (CN)

(73) Assignee: **Zhangjiagang SMK MFG. Co., Ltd.**,
Zhangjiagang (CN)

(**) Term: **15 Years**

(21) Appl. No.: **29/711,057**

(22) Filed: **Oct. 28, 2019**

(51) **LOC (13) Cl.** **08-08**

(52) **U.S. Cl.**
USPC **D8/349**

(58) **Field of Classification Search**
USPC D8/349, 350–353, 354, 355, 363,
D8/373–377
CPC .. A47F 5/00; A47H 1/10; A47G 29/00; A47G
29/08; A47B 97/00; A47K 3/14
See application file for complete search history.

(56) **References Cited**

U.S. PATENT DOCUMENTS

- 4,062,470 A * 12/1977 Boteler H02G 3/125
220/3.3
- D566,531 S * 4/2008 Massoumi D14/452
- D567,634 S * 4/2008 Sorkin D8/354

- D735,017 S * 7/2015 Langle D8/355
- D746,128 S * 12/2015 Stanton D8/380
- D756,199 S * 5/2016 Carrubba D8/354
- D813,647 S * 3/2018 Burmeister-Brown D8/353
- D821,181 S * 6/2018 Ito D8/354
- D859,129 S * 9/2019 Park D8/354
- D860,025 S * 9/2019 Illouz D10/106.2
- D861,465 S * 10/2019 Haider D8/354
- D898,320 S * 10/2020 Brunner D34/23
- D899,220 S * 10/2020 Hong D8/349

* cited by examiner

Primary Examiner — Mark A Goodwin
Assistant Examiner — Benjamin M Weeks

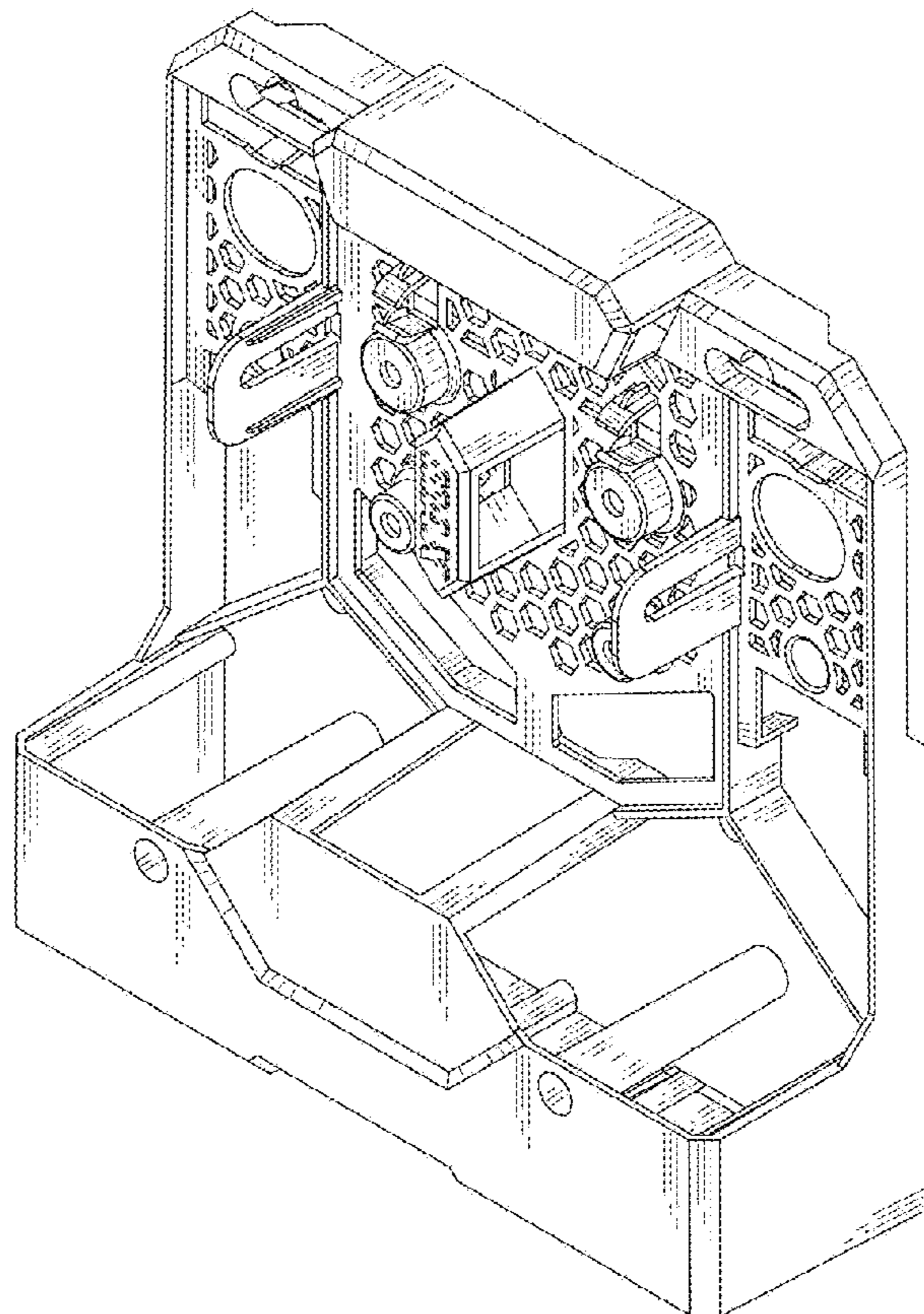
(57) **CLAIM**

The ornamental design for a plastic hanger, as shown and described.

DESCRIPTION

FIG. 1 is a perspective view of a plastic hanger showing my new design;
FIG. 2 is a front elevation view thereof;
FIG. 3 is a rear elevation view thereof;
FIG. 4 is a left side elevation view thereof;
FIG. 5 is a right side elevation view thereof;
FIG. 6 is a top plan view thereof; and,
FIG. 7 is a bottom plan view thereof.
The broken lines depict portions of the plastic hanger that form no part of the claimed design.

1 Claim, 7 Drawing Sheets



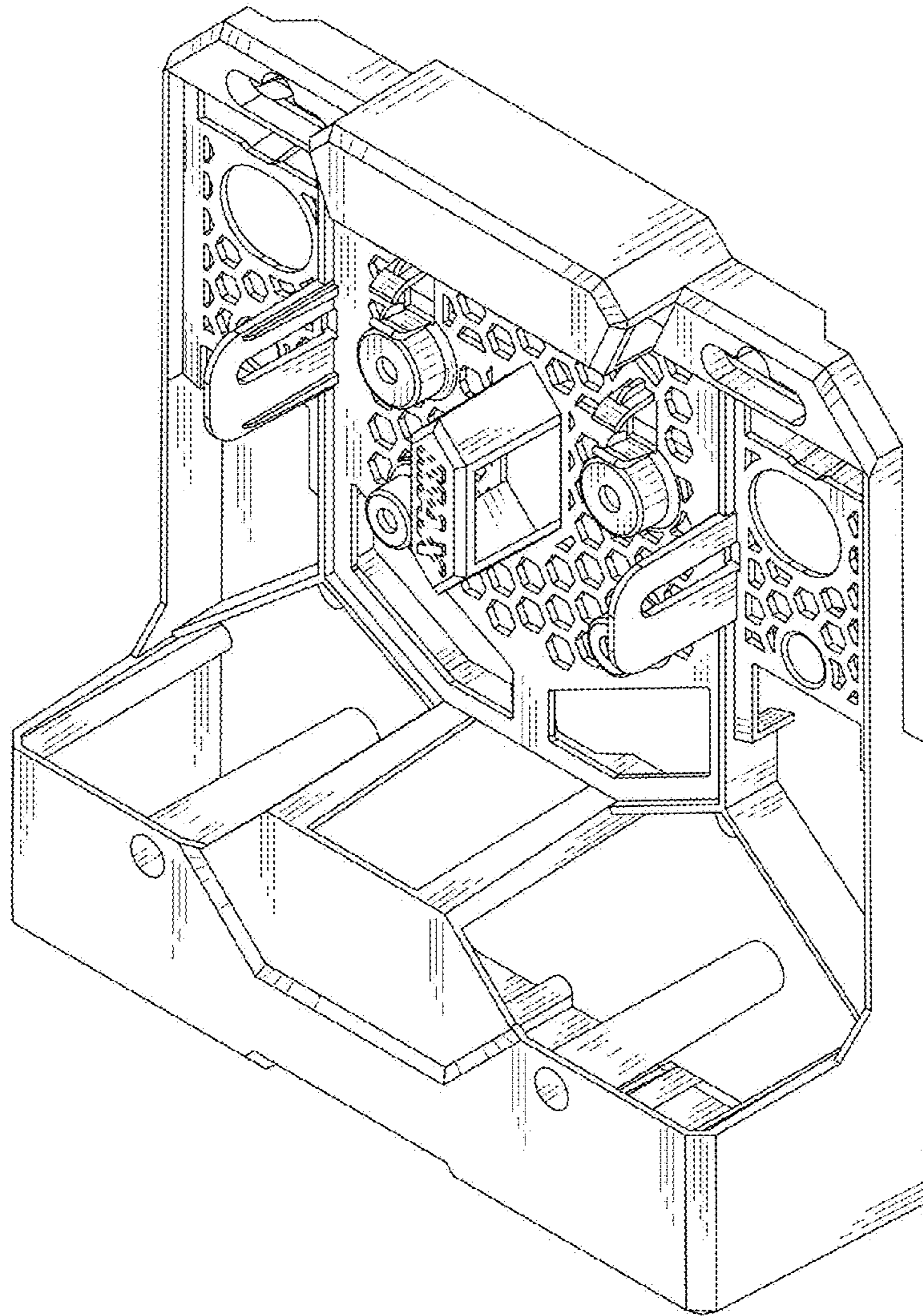


FIG.1

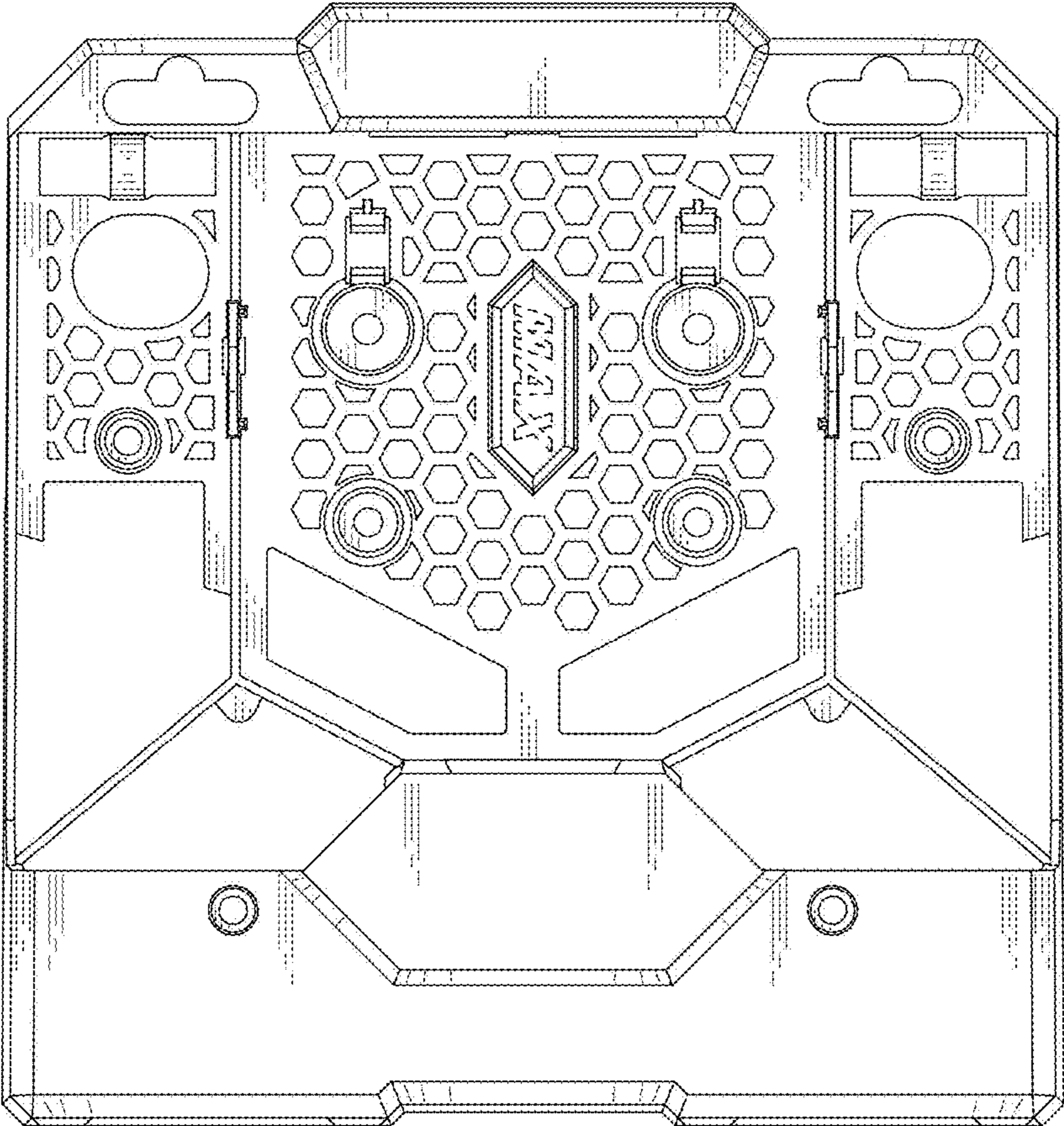


FIG.2

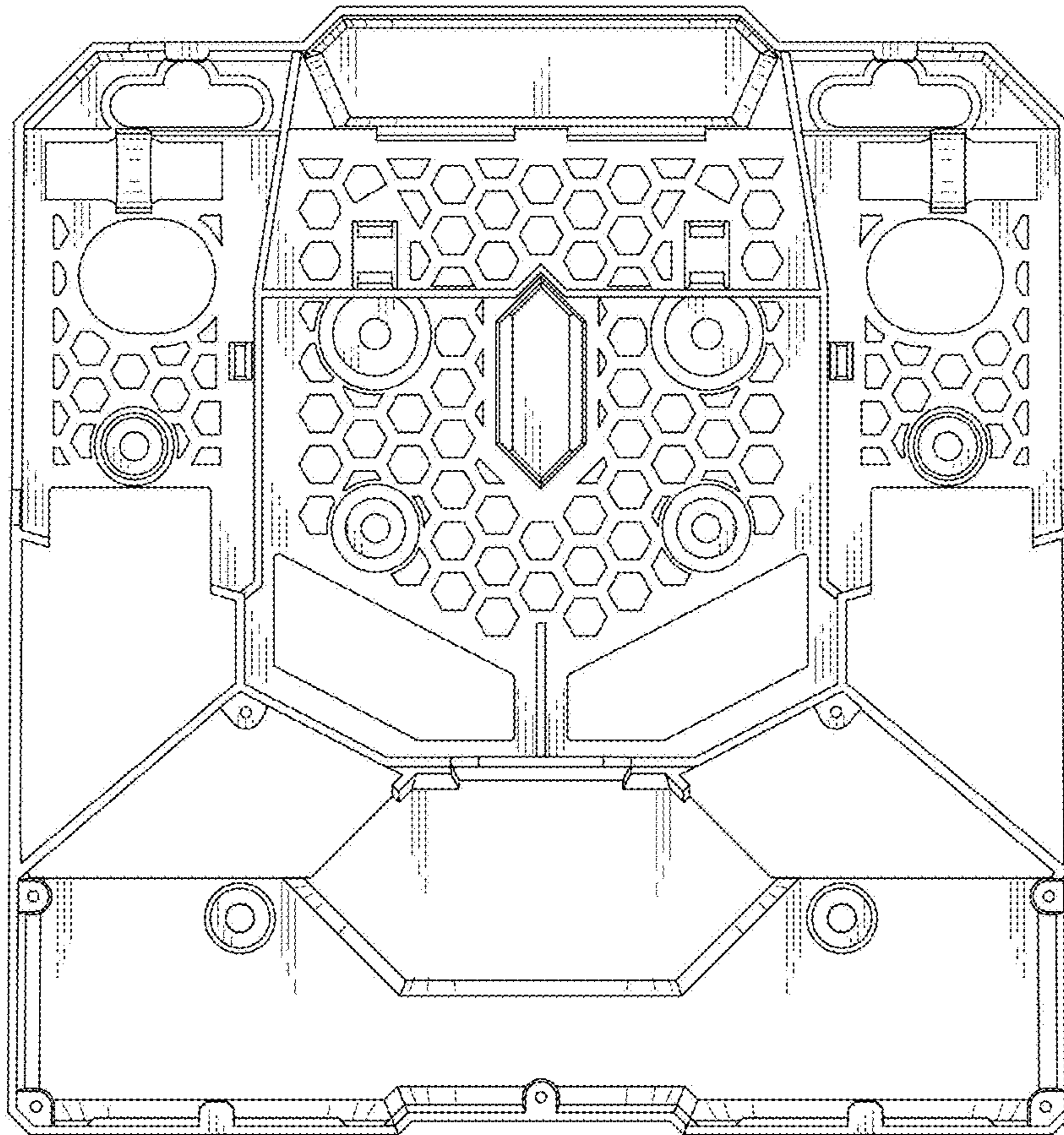


FIG.3

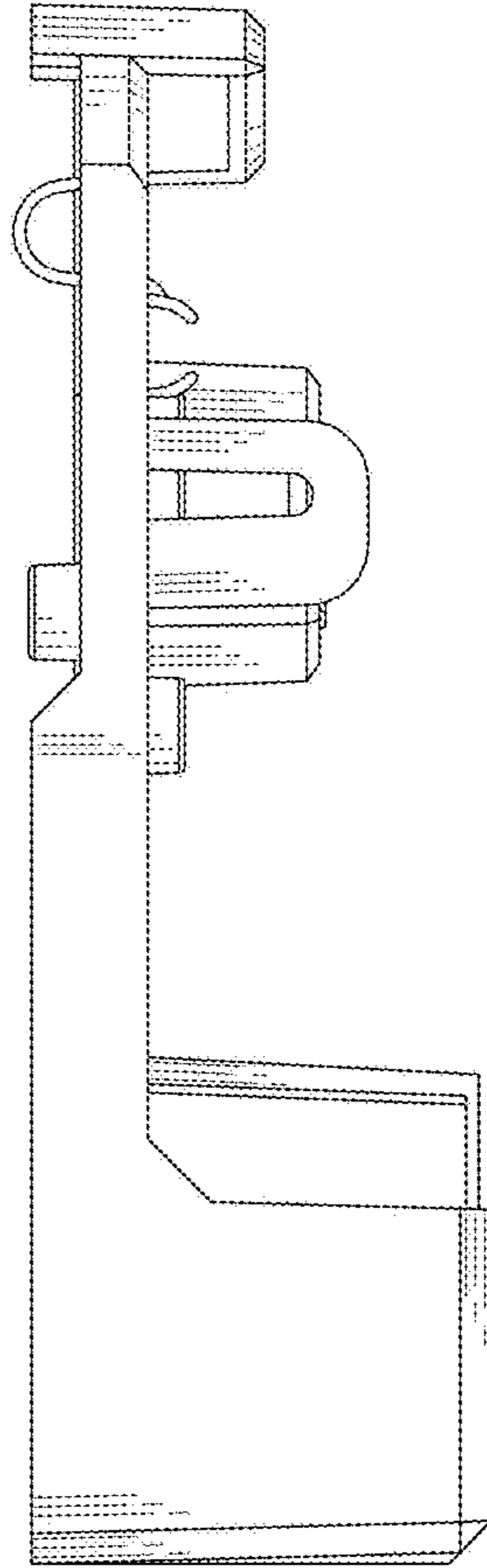


FIG.4

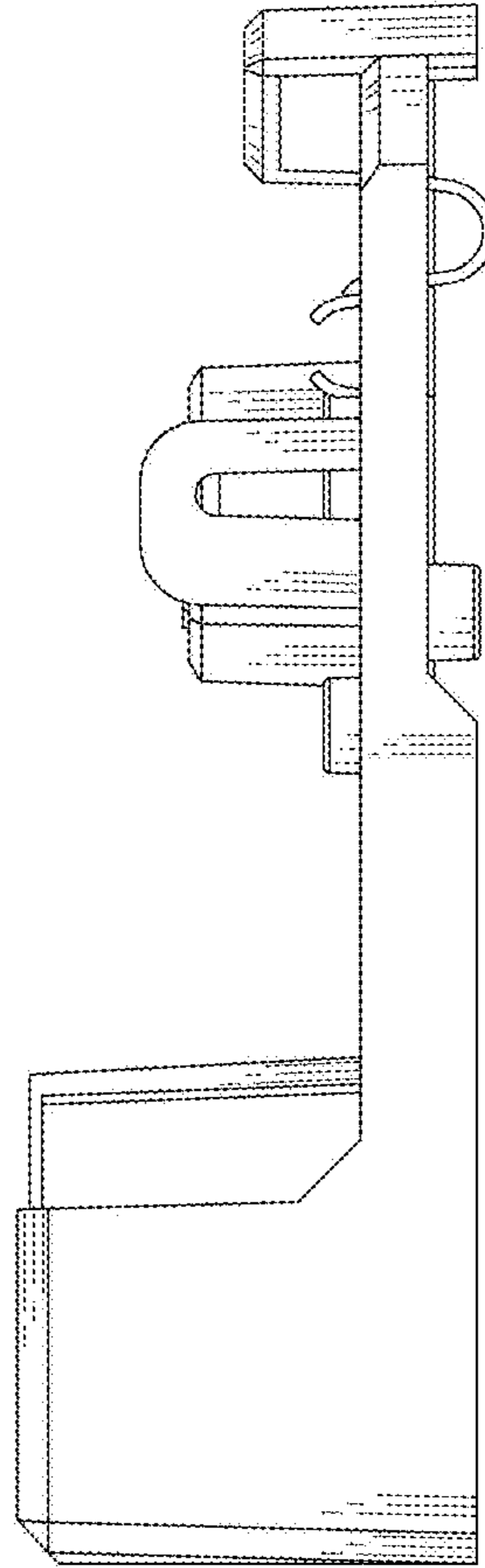


FIG. 5

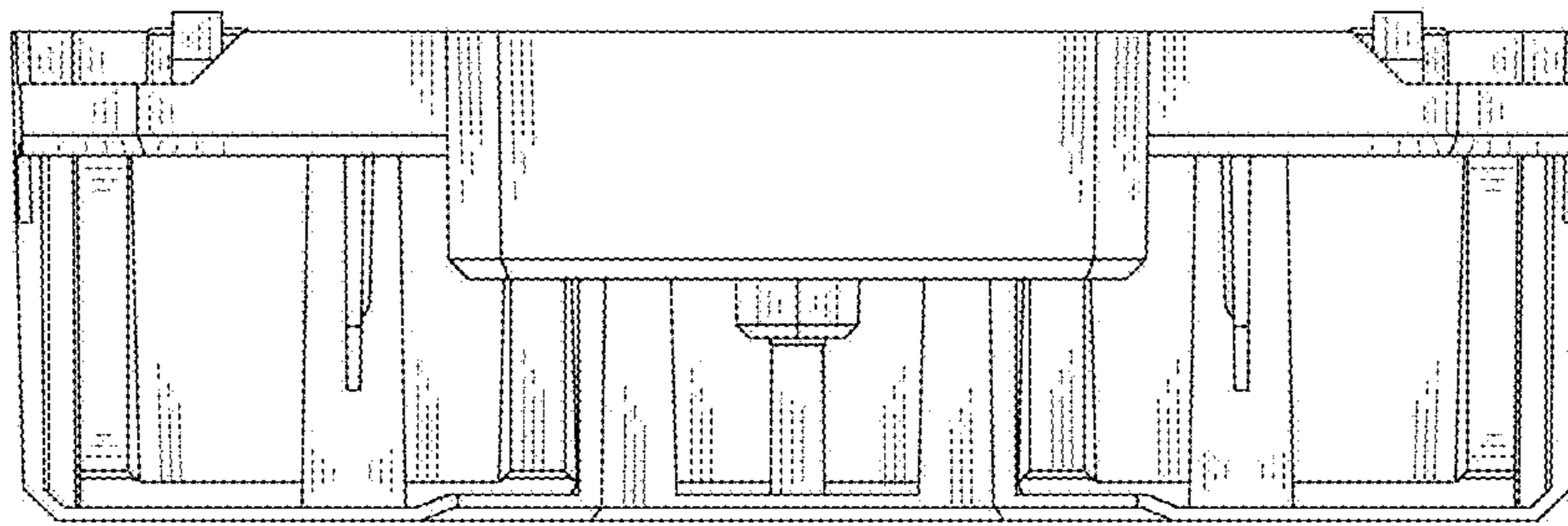


FIG. 6

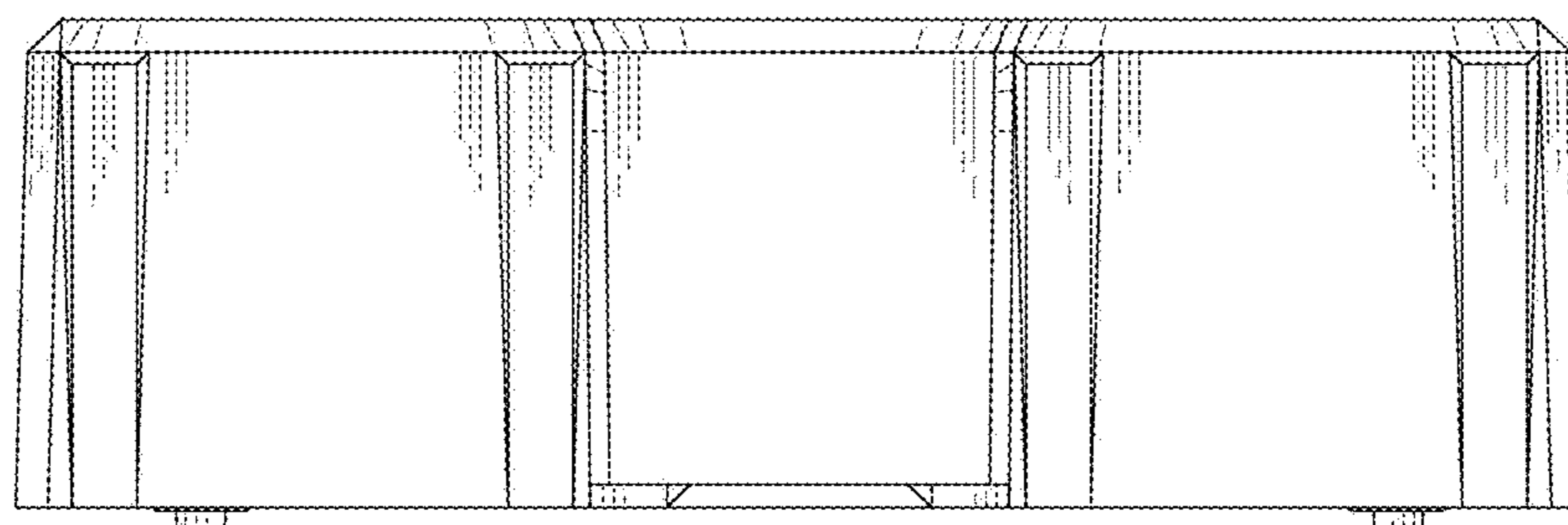


FIG. 7