



US00D911814S

(12) **United States Design Patent**
Richter et al.

(10) **Patent No.:** **US D911,814 S**
(45) **Date of Patent:** **** Mar. 2, 2021**

| | | | | |
|--|----------------|---------|-----------------|-------------------------|
| (54) VEHICLE KEY | 6,705,141 B1 * | 3/2004 | Jacob | E05B 19/043 70/278.3 |
| (71) Applicant: VOLKSWAGEN AKTIENGESELLSCHAFT, Wolfsburg (DE) | 7,055,352 B2 * | 6/2006 | Meyerson | A45F 5/02 70/408 |
| (72) Inventors: Thorsten Richter, Wolfsburg (DE); Jens Kohlhase, Wolfsburg (DE); Bernd Soltendieck, Wolfsburg (DE) | D632,238 S * | 2/2011 | Tezak | D12/195 |
| | D632,625 S * | 2/2011 | Tezak | D12/195 |
| | D665,992 S * | 8/2012 | Wilbur | D3/207 |
| | D680,417 S * | 4/2013 | Crepinsek | D8/347 |
| | 8,479,546 B2 * | 7/2013 | Delande | E05B 19/043 70/456 R |
| (73) Assignee: VOLKSWAGEN AKTIENGESELLSCHAFT, Wolfsburg (DE) | 8,925,429 B2 * | 1/2015 | Johnson | B25G 1/08 81/440 |
| | D730,446 S * | 5/2015 | Busch | D19/121 |
| | 9,101,191 B2 * | 8/2015 | Box | E05B 19/043 |
| | 9,512,641 B2 * | 12/2016 | Delande | E05B 19/0082 |

(**) Term: **15 Years** (Continued)

(21) Appl. No.: **29/704,549**

(22) Filed: **Sep. 5, 2019**

(30) **Foreign Application Priority Data**

Mar. 5, 2019 (DE) 40 2019 100 259.6

(51) **LOC (13) Cl.** **08-07**

(52) **U.S. Cl.**
USPC **D8/347; D12/400**

(58) **Field of Classification Search**
USPC D19/121, 157; D3/207-212; D8/43,
D8/347, 348; D10/64, 104.1, 106.1;
D11/1, 2, 14, 26, 27, 28, 29, 89, 90, 91,
D11/92, 44, 48, 81, 99; D12/400, 401,
D12/404, 406, 412, 414, 222, 223, 86, 93,
D12/101, 195; D13/168
CPC E05B 17/0062; E05B 19/043; E05B
19/0082; E05B 19/00; E05B 19/20; E05B
19/04; E05B 11/00; E05B 13/00; B25G
1/08; A45F 5/02; A45C 11/324
See application file for complete search history.

(56) **References Cited**

U.S. PATENT DOCUMENTS

D405,953 S * 2/1999 Legg D3/210
6,499,326 B1 * 12/2002 Heussner A45C 11/324
70/396

Primary Examiner — Susan E Krakower
Assistant Examiner — Jerry Shiuian-Hua Hsu
(74) *Attorney, Agent, or Firm* — Lucas & Mercanti, LLP;
Klaus P. Stoffel

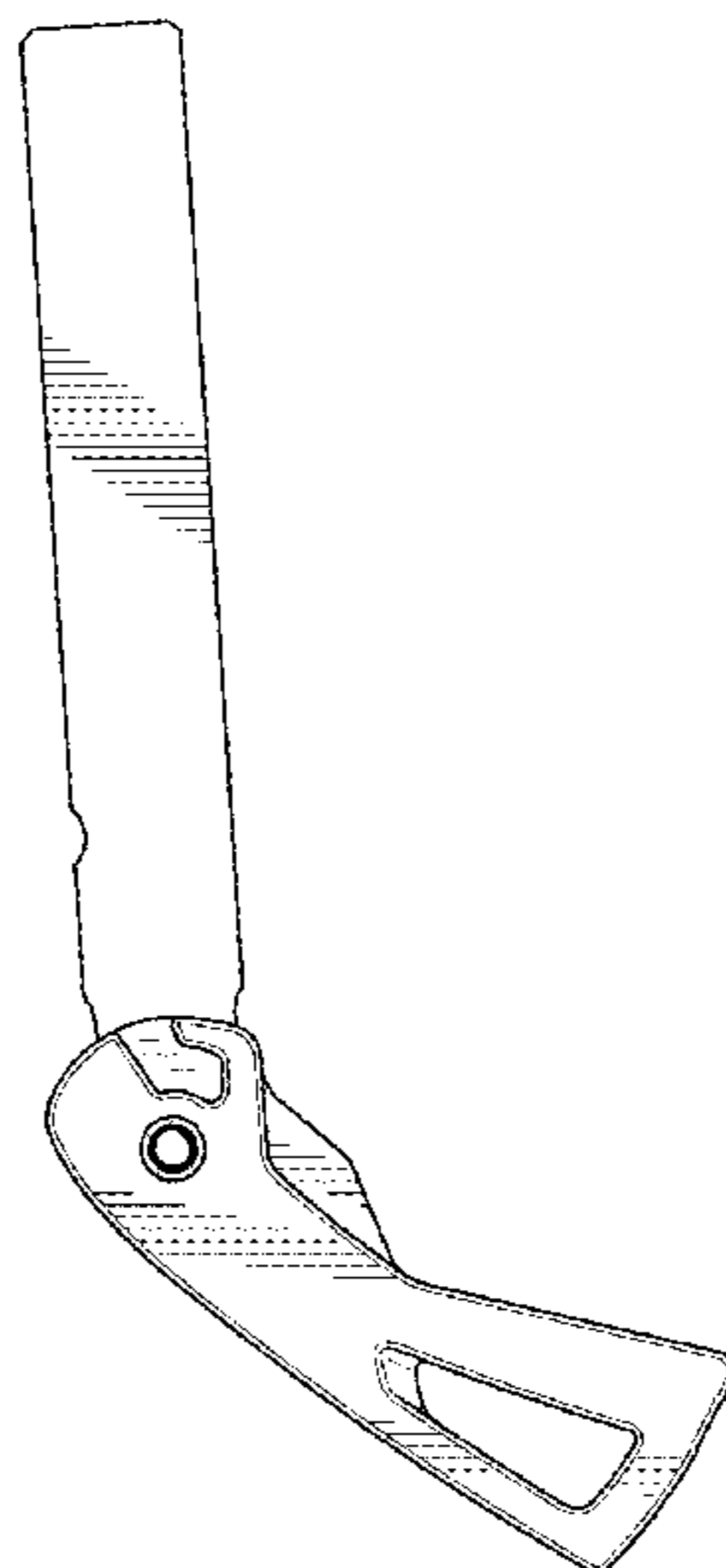
(57) **CLAIM**

The ornamental design for a vehicle key, as shown and described.

DESCRIPTION

FIG. 1 is a top view of the vehicle key of the present invention;
FIG. 2 is a bottom view thereof;
FIG. 3 is a bottom, front, right-side perspective view thereof;
FIG. 4 is a top, front, right-side perspective view thereof;
FIG. 5 is a top, left-side perspective view thereof;
FIG. 6 is a left side view thereof;
FIG. 7 is a right side view thereof;
FIG. 8 is a rear view thereof; and,
FIG. 9 is a front view thereof.

1 Claim, 4 Drawing Sheets



(56)

References Cited

U.S. PATENT DOCUMENTS

| | | | | |
|-------------------|---------|---------|-------|------------------------|
| D878,902 S * | 3/2020 | Jones | | D8/347 |
| 2009/0217722 A1 * | 9/2009 | Luo | | E05B 19/043 70/459 |
| 2011/0259064 A1 * | 10/2011 | David | | E05B 19/043 70/397 |
| 2013/0219978 A1 * | 8/2013 | Konchan | | E05B 17/0062 70/447 |

* cited by examiner

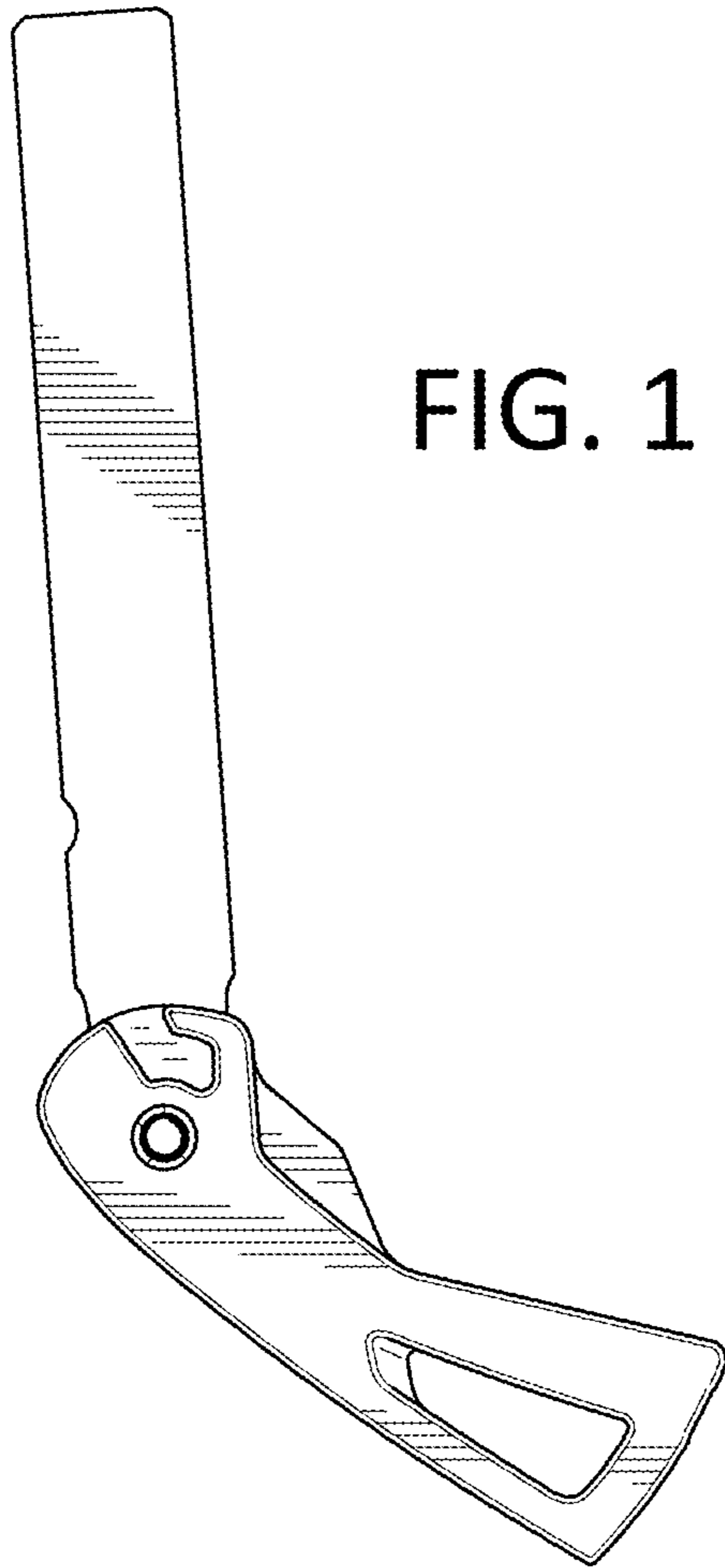


FIG. 1

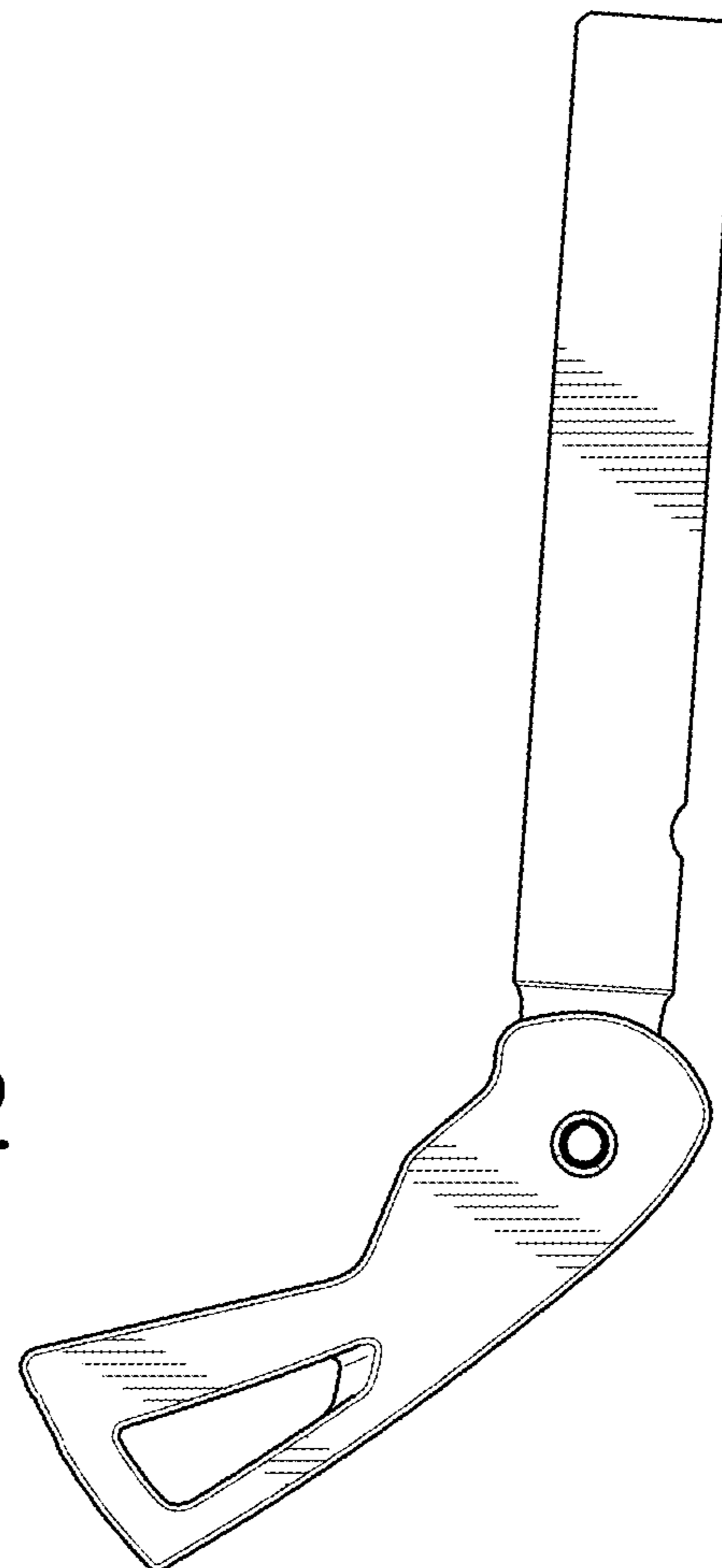


FIG. 2

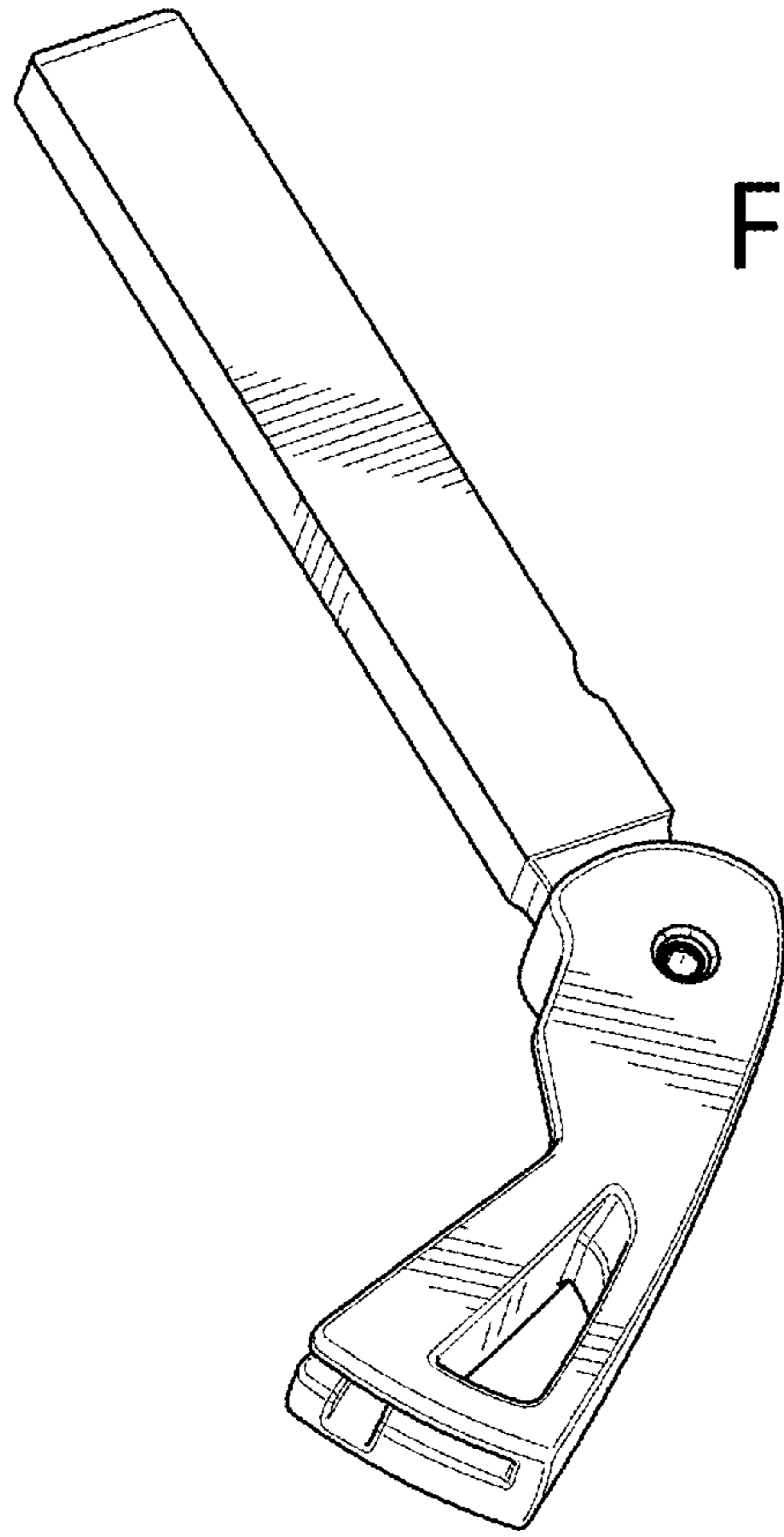


FIG. 3

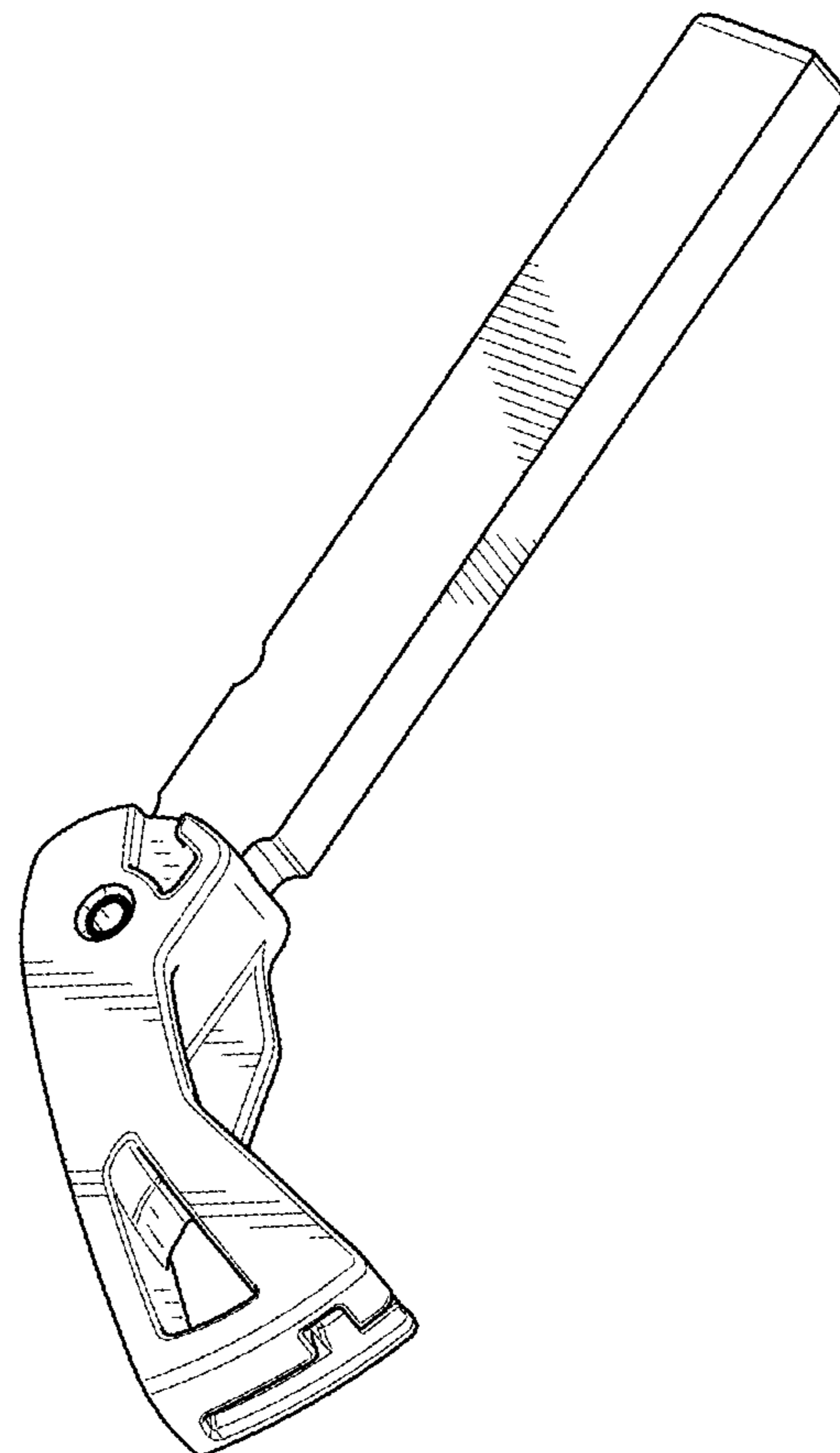


FIG. 4

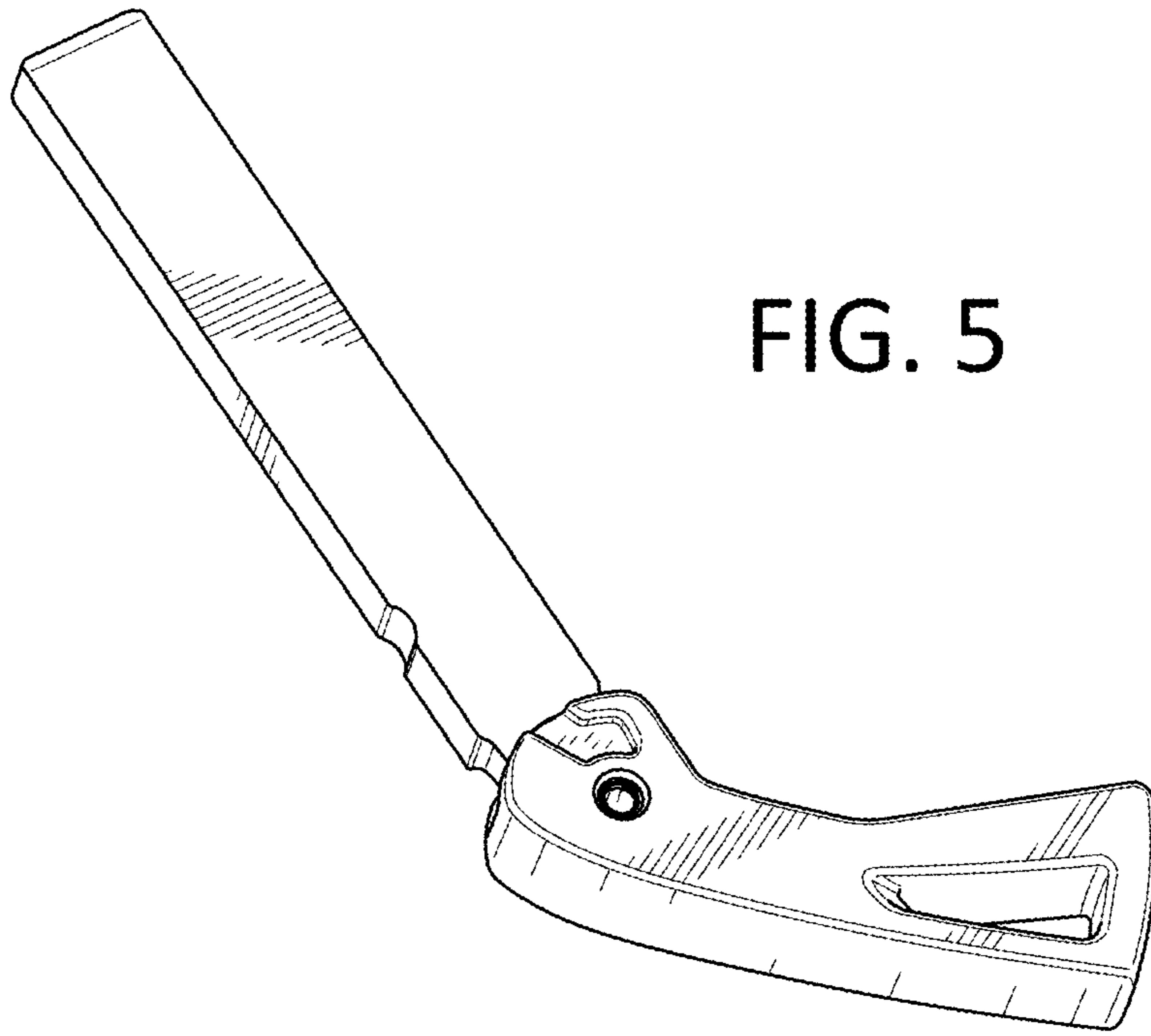


FIG. 5

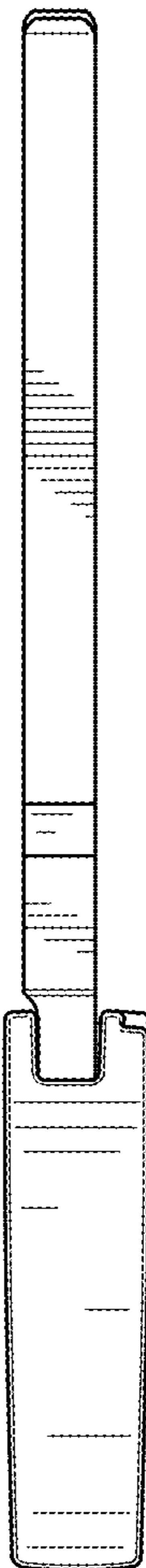


FIG. 6

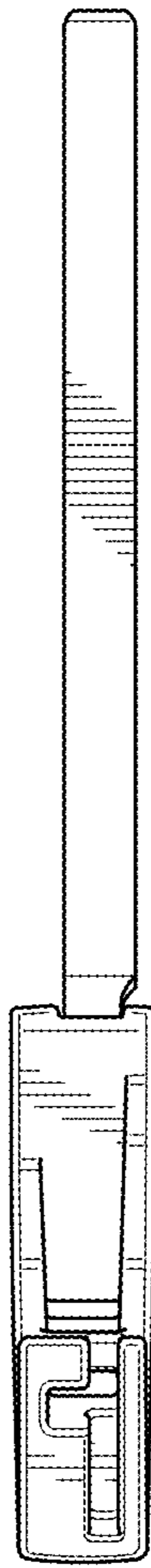


FIG. 7

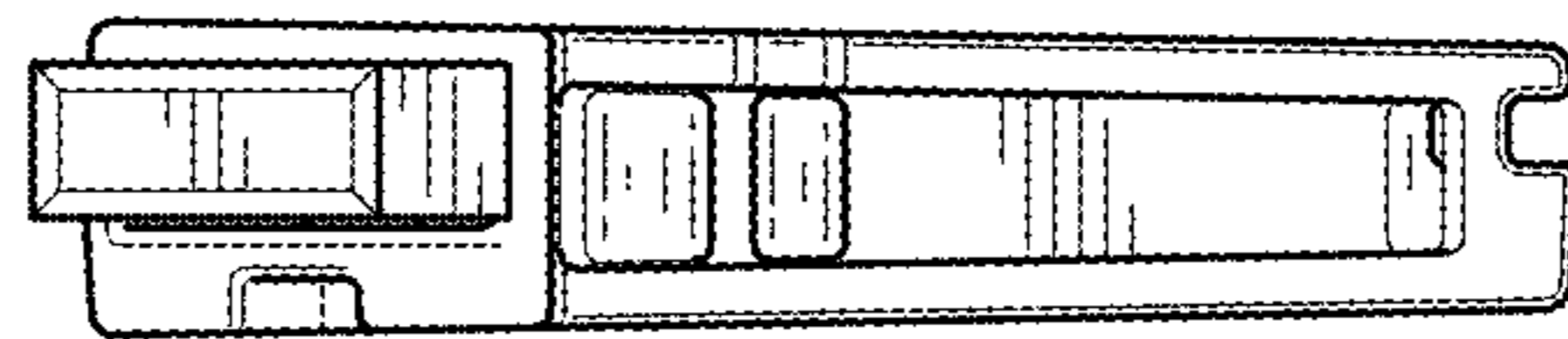


FIG. 8

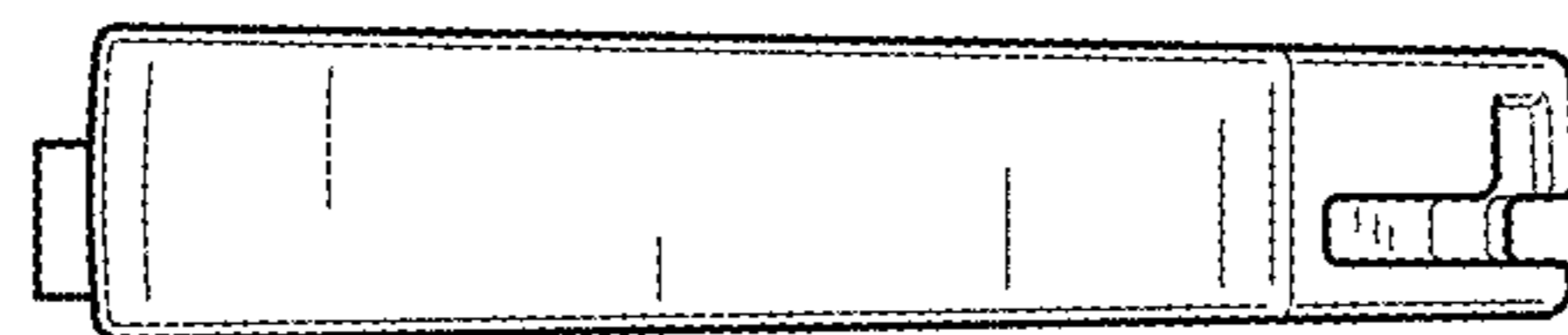


FIG. 9