



US00D911812S

(12) **United States Design Patent** (10) **Patent No.:** **US D911,812 S**
Moyer (45) **Date of Patent:** **** Mar. 2, 2021**

(54) **ELECTRONIC LOCK**

FOREIGN PATENT DOCUMENTS

(71) Applicant: **HMC Holdings, LLC**, Wampum, PA (US)

CN 303965952 * 12/2015
CN 304052902 * 9/2016

(Continued)

(72) Inventor: **David A. Moyer**, New Castle, PA (US)

(73) Assignee: **HMC Holdings, LLC**, Wampum, PA (US)

OTHER PUBLICATIONS

(**) Term: **15 Years**

YR YRHAND, Smart Lock, YRHAND THX1 Plus Keyless Fingerprint and Touchscreen Digital Door Lock, App Control, Date first available Sep. 11, 2020, [online]retrieved Nov. 20, 2020, available from internet, https://www.amazon.com/dp/B08HVVRMSD/ref=sspa_dk_detail_5?psc=1&pd_rd (Year: 2020).*

(21) Appl. No.: **29/689,108**

August Home Store, Smart Lock Pro (3rd Gen) + Connect Hub—Zwave, HomeKit & Alexa Compatible—Silver, Date first available Sep. 19, 2017, [online]retrieved Nov. 20, 2020, available from internet, https://www.amazon.com/August-Smart-Lock-Connect-technology/dp/B0752V8D8D/ref=psdc_511306_t1_B082V (Year: 2017).*

(22) Filed: **Apr. 26, 2019**

(Continued)

(51) **LOC (13) Cl.** **08-07**

(52) **U.S. Cl.**
USPC **D8/330**; D8/331

(58) **Field of Classification Search**
USPC D8/330–334, 336–350; 292/341, 341.1, 292/340, 344, 343, 180
CPC G07C 9/00571; G07C 9/00674; G07C 9/00309; Y10T 292/53; Y10T 292/68; Y10T 16/458; Y10T 292/0803; Y10T 292/0848; Y10T 70/5199; H04N 7/186; H04N 7/147; H04N 5/232411; H05K 1/144; E05B 3/00; E05B 15/00; E05B 9/00; E05B 63/04; E05B 15/101; E05B 1/003; E05B 65/0811; E05B 17/18; E05B 83/00

Primary Examiner — Keli L Hill
Assistant Examiner — Sara S Sahneh
(74) *Attorney, Agent, or Firm* — Vangelis Economou; Ziliak Law, LLC

(57) **CLAIM**

The ornamental design for an electronic lock, as shown and described.

See application file for complete search history.

DESCRIPTION

(56) **References Cited**

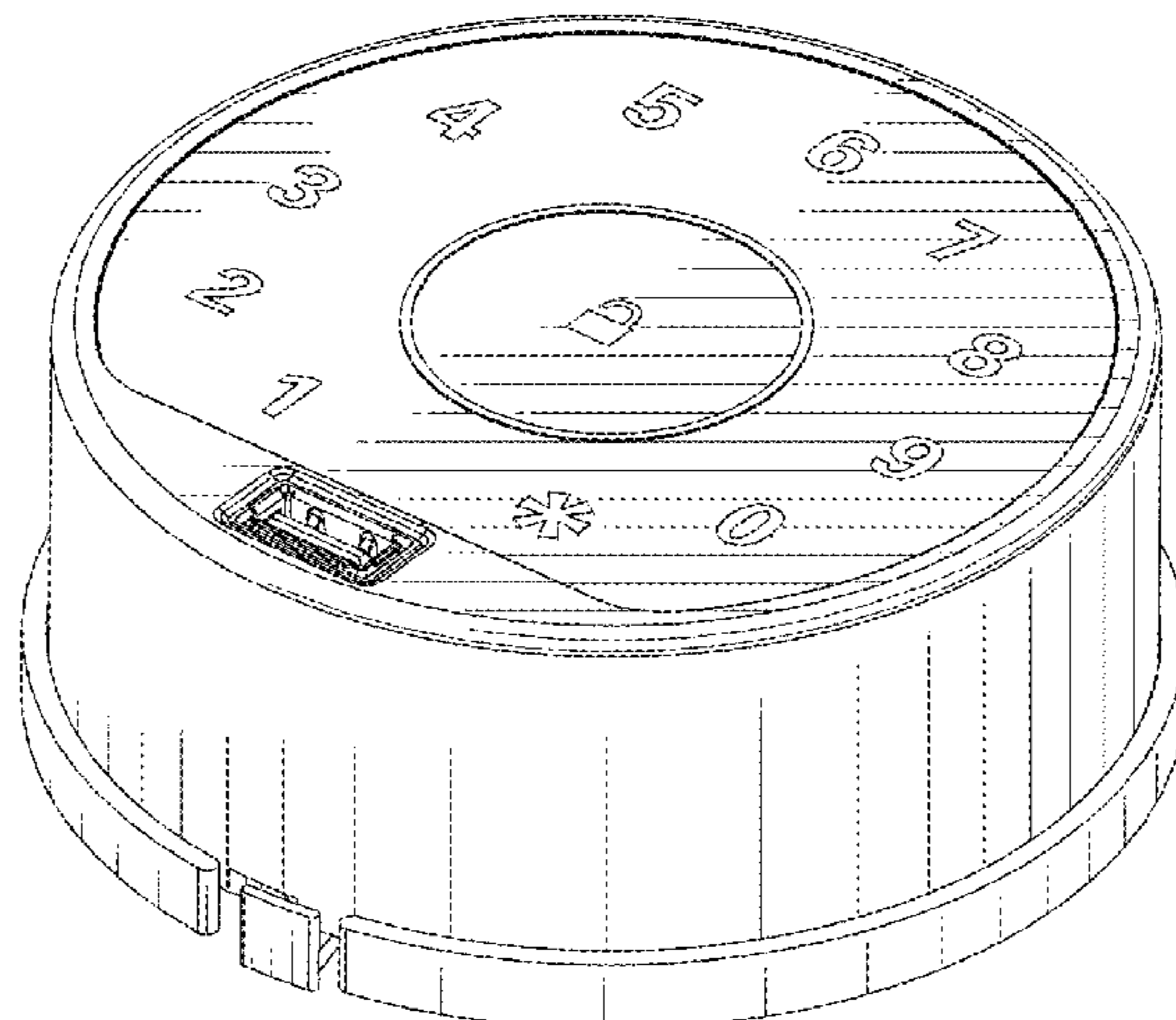
U.S. PATENT DOCUMENTS

D618,081 S	6/2010	Moyer	
D694,091 S	* 11/2013	Gartner	D8/330
D709,754 S	* 7/2014	Lylyk	D8/331
D746,165 S	* 12/2015	Li	D10/104.1
D771,472 S	* 11/2016	Gartner	D8/334
D781,680 S	* 3/2017	Lylyk	D8/331
D793,205 S	* 8/2017	Ho	D8/330
D796,298 S	* 9/2017	Lylyk	D8/331
D876,924 S	* 3/2020	Xie	D8/331
D888,535 S	* 6/2020	Lassiter	D8/331

(Continued)

FIG. 1 is a perspective view of the electronic lock showing my new design;
FIG. 2 is a top view thereof;
FIG. 3 is a bottom view thereof;
FIG. 4 is a front elevational view thereof;
FIG. 5 is a back elevational view thereof;
FIG. 6 is a left side view thereof; and,
FIG. 7 is a right side view thereof.
The broken lines shown are included for the purpose of illustrating portions of the electronic lock that form no part of the claim.

1 Claim, 4 Drawing Sheets



(56)

References Cited

U.S. PATENT DOCUMENTS

D890,754 S * 7/2020 Raken D14/388
D900,812 S * 11/2020 Friedman D14/357
2016/0050399 A1* 2/2016 Chuter H04N 7/186
348/155
2020/0115926 A1* 4/2020 Tan E05B 17/0045

FOREIGN PATENT DOCUMENTS

CN 305170362 * 5/2018
CN 304897371 * 6/2018
CN 305079581 * 10/2018
CN 305375431 * 1/2019
CN 305833404 * 11/2019

OTHER PUBLICATIONS

Boquite, Fingerprint Lock, Smmart Semiconductor Digital Electronic Touch Fingerprint Lock for Door Security Cabinet ,Date first available Feb. 20, 2020, [online]retrieved Oct. 28, 2020, available from internet, [https://www.amazon.ca/dp/B084ZMNWQZ/ref=sspa_dk_detail_1?psc=1&pd_rd_i=B084ZMNWQZ&pd_\(Year: 2020\).](https://www.amazon.ca/dp/B084ZMNWQZ/ref=sspa_dk_detail_1?psc=1&pd_rd_i=B084ZMNWQZ&pd_(Year: 2020).)*
WonVon,Smart Keyless Fingerprint Lock,Cabinet Locks Biometric Keyless Wooden Box Furniture Drawer Fingerprint Locks, Date first available Aug. 13, 2019, [online]retrieved Oct. 28, 2020, available from internet, <https://www.amazon.ca/Keyless-Fingerprint-Cabinet-Biometric-Furniture/dp/B07WFG91ZG/r> (Year: 2019).*

* cited by examiner

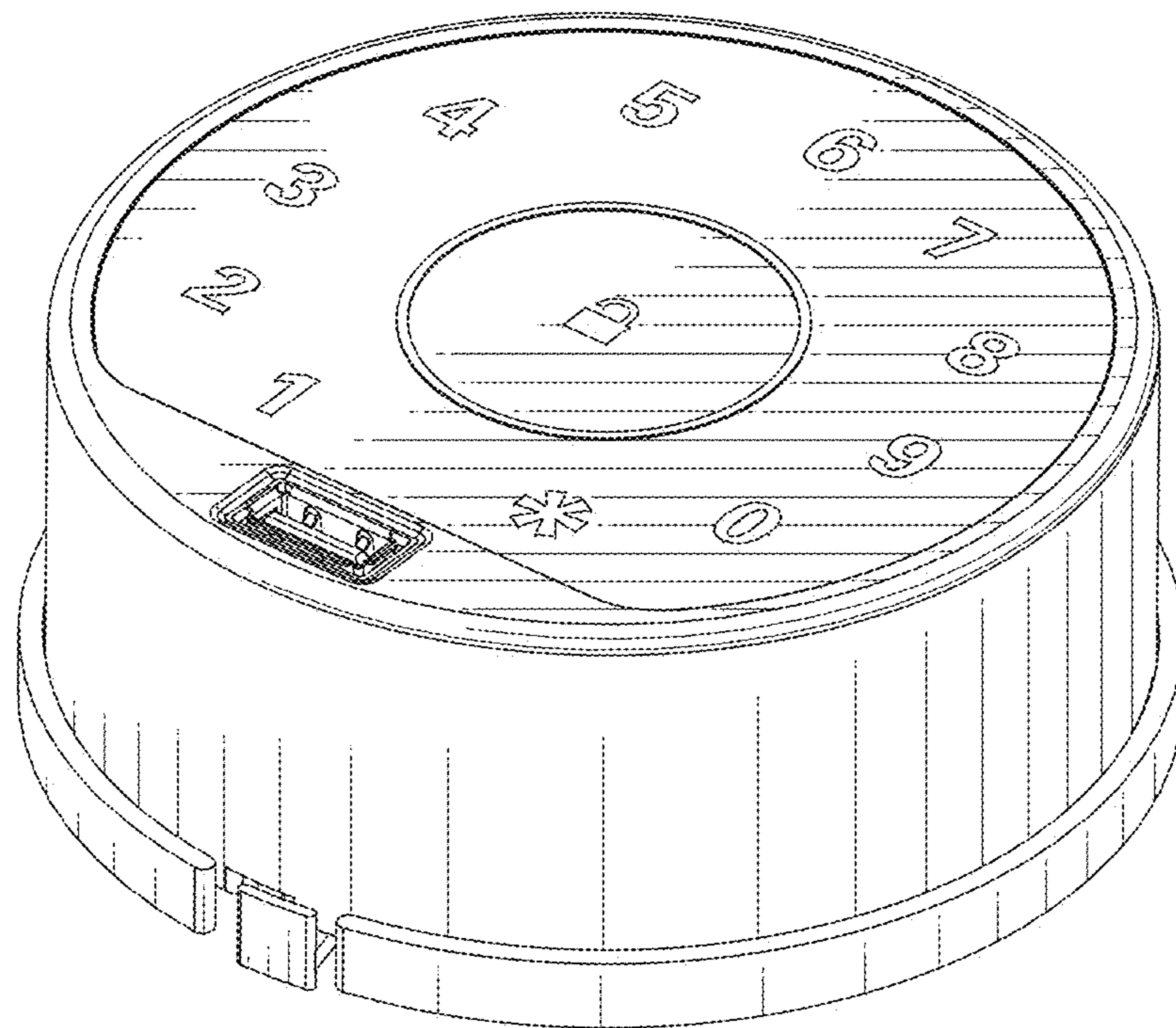


FIG. 1

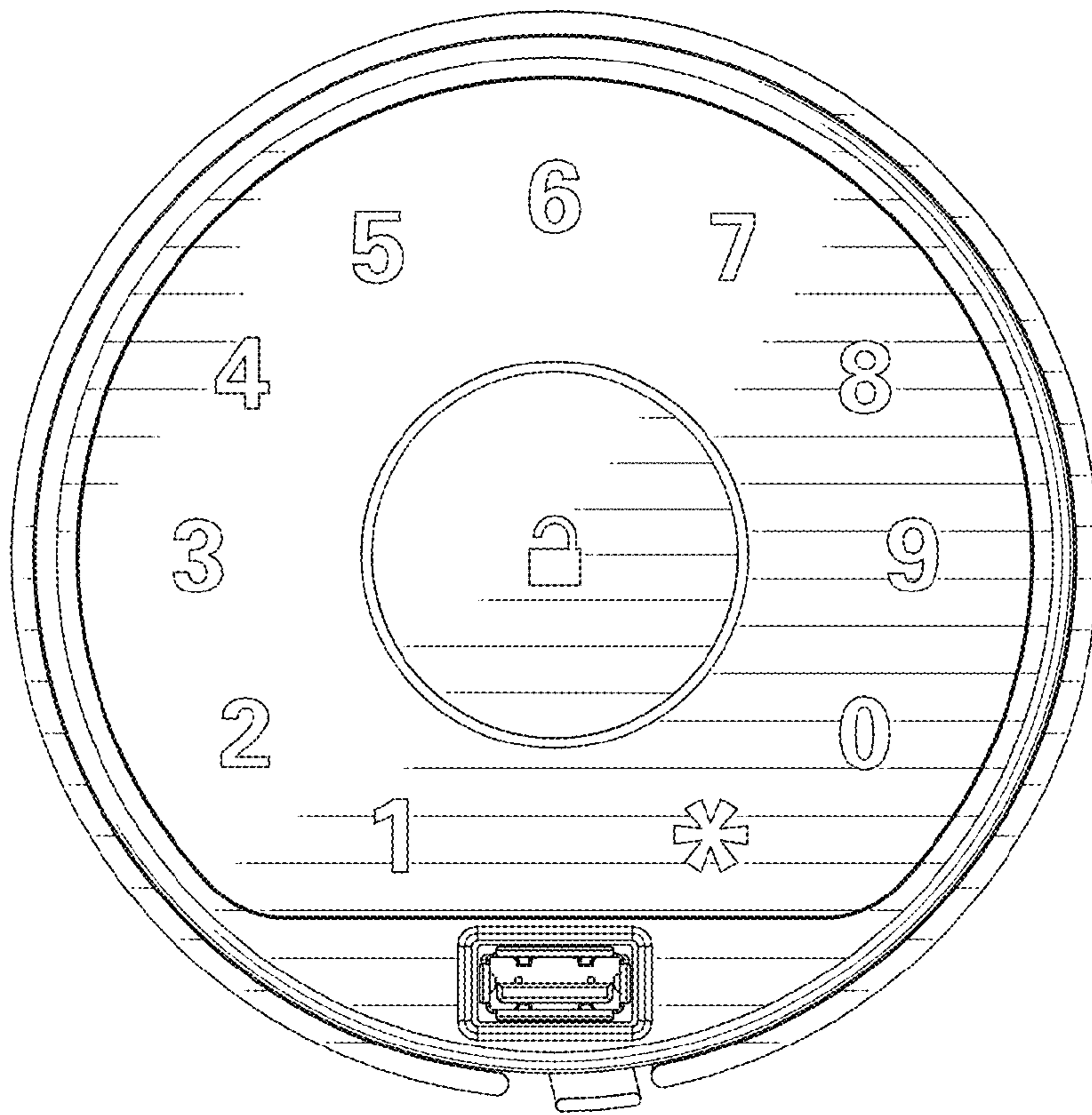


FIG. 2

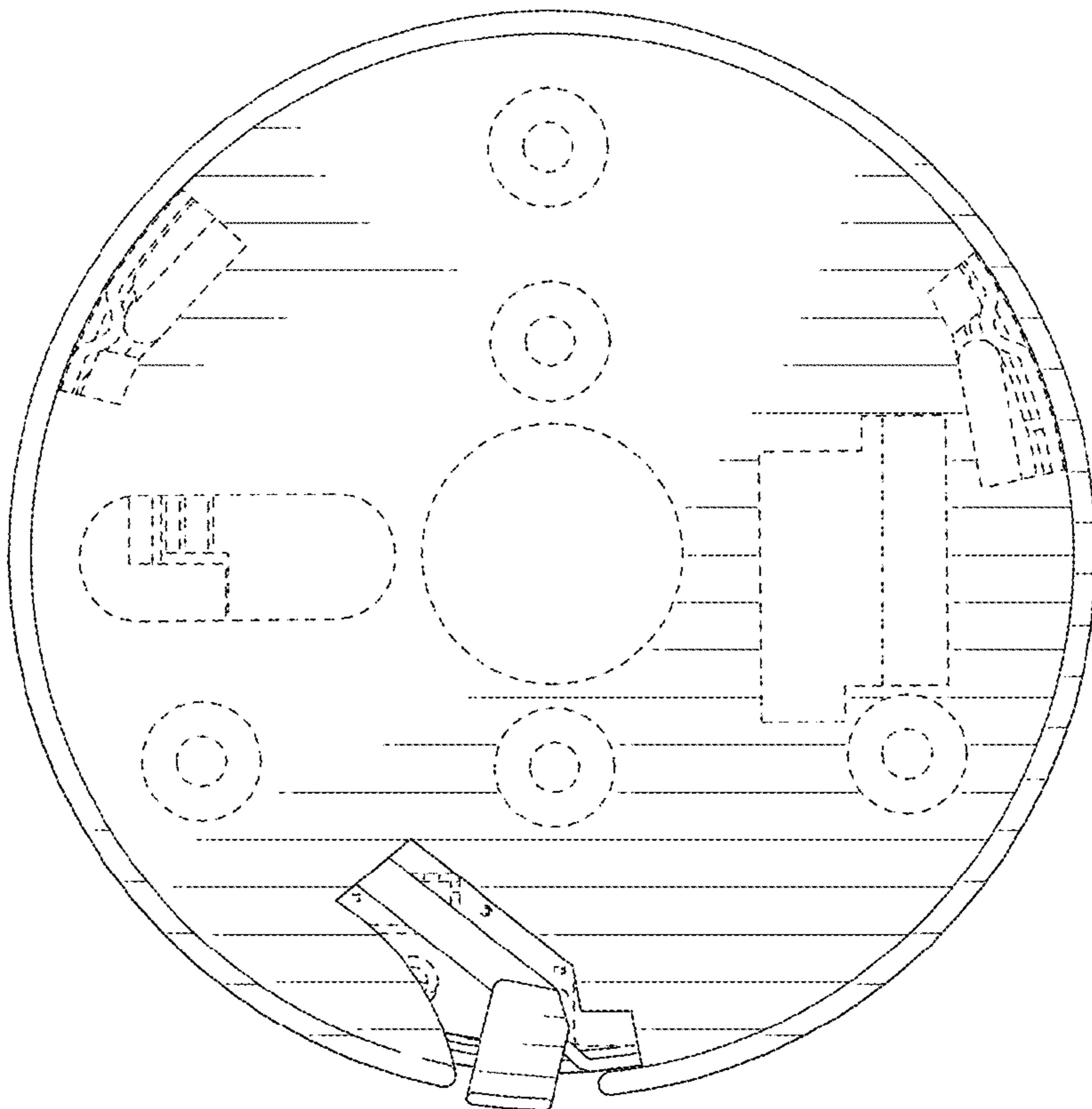


FIG. 3

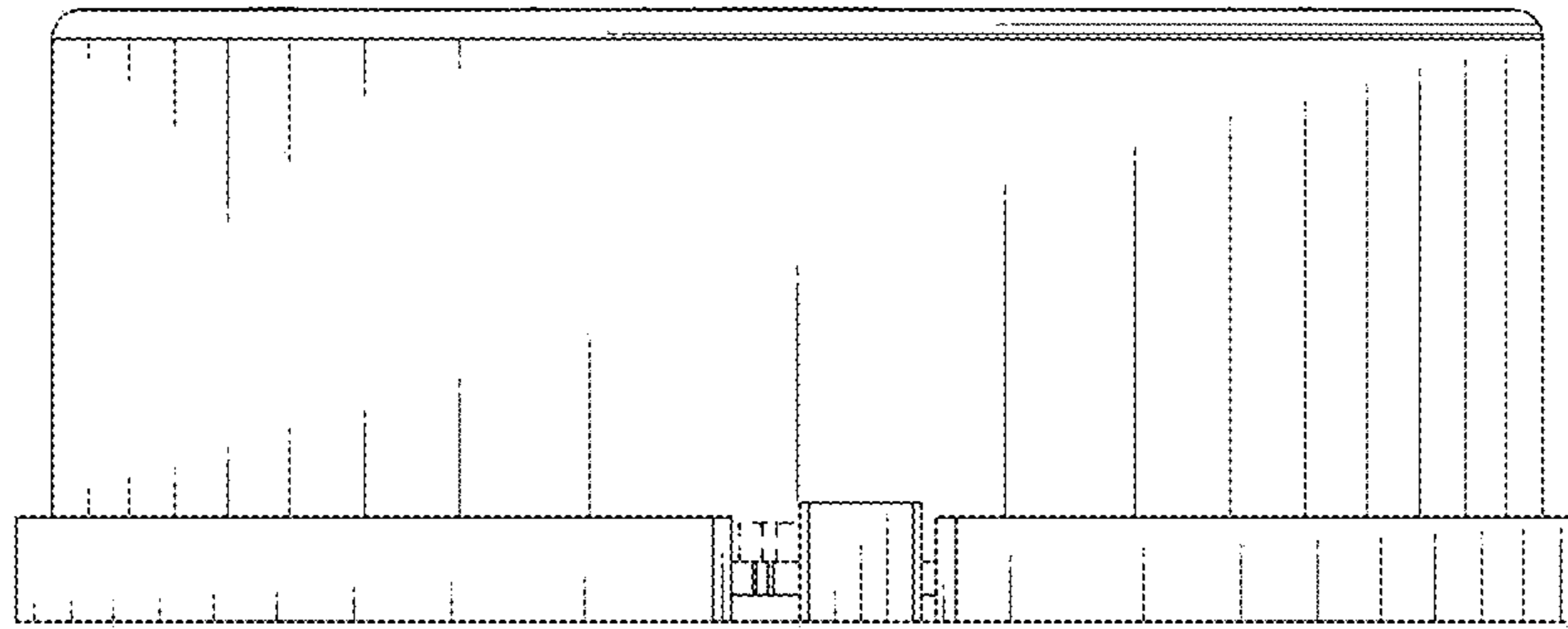


FIG. 4

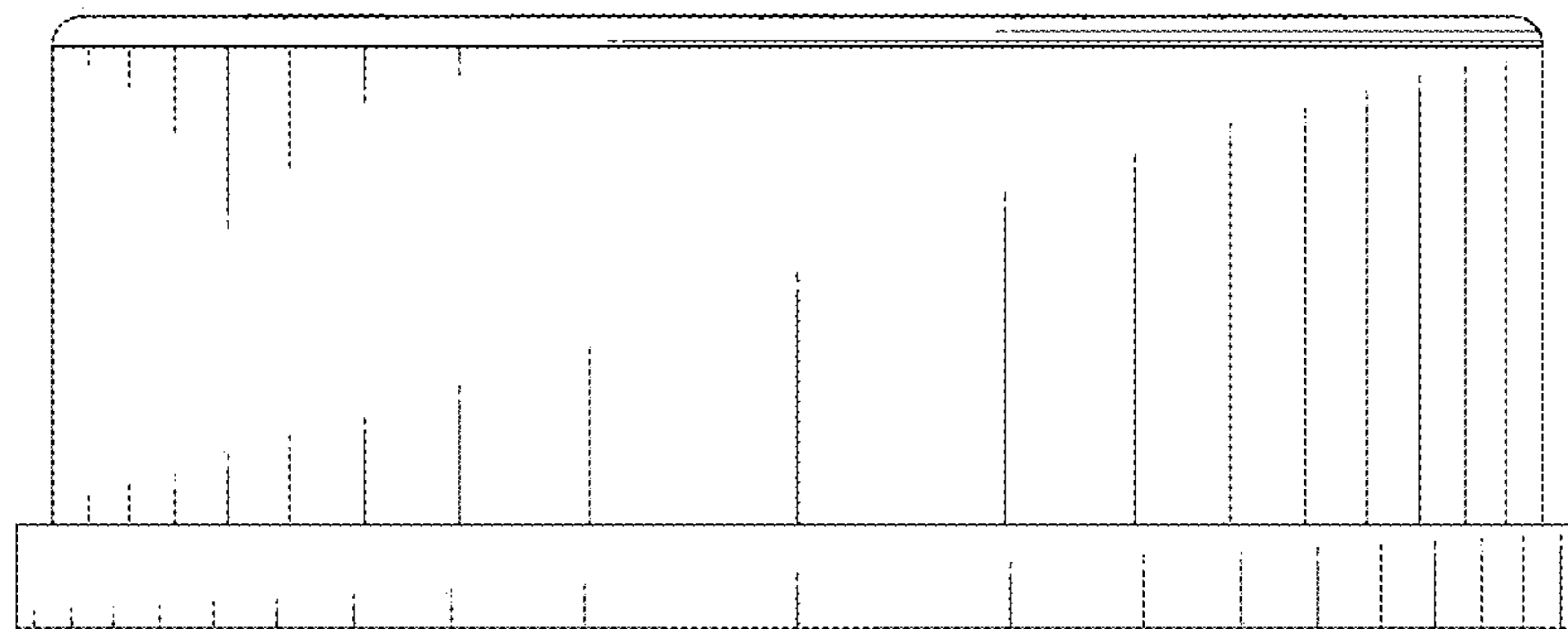


FIG. 5

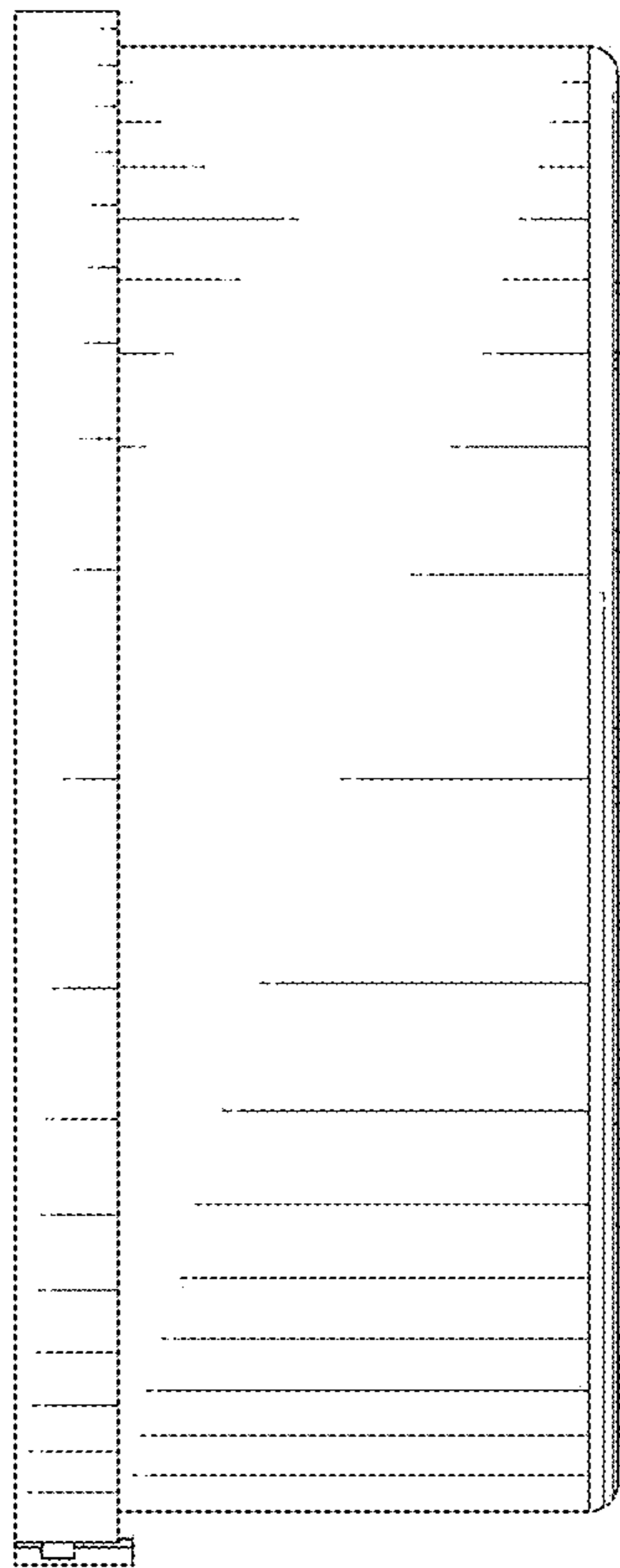


FIG. 6

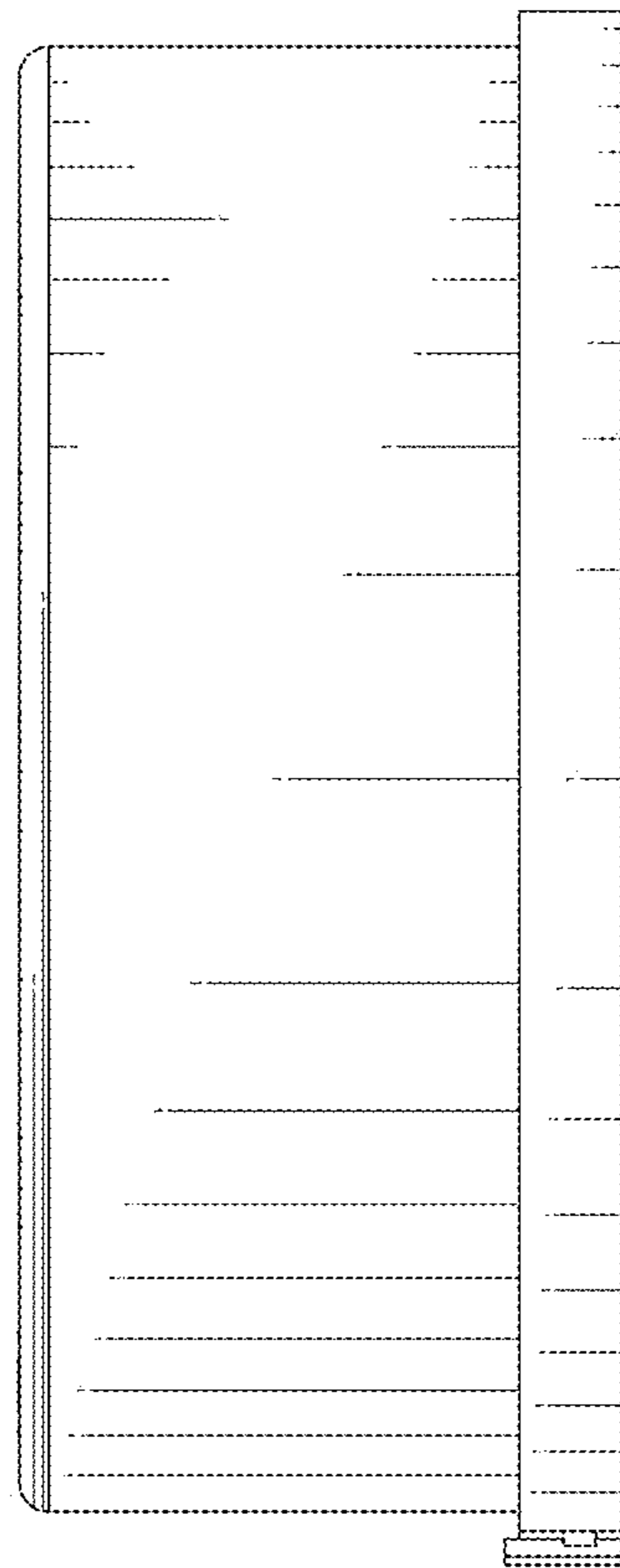


FIG. 7