



US00D911810S

(12) **United States Design Patent**
Koblich et al.

(10) **Patent No.:** **US D911,810 S**

(45) **Date of Patent:** **** Mar. 2, 2021**

(54) **LOCK**
(71) Applicant: **McGard LLC**, Orchard Park, NY (US)
(72) Inventors: **Brandon A. Koblich**, Lancaster, NY (US); **Kyle M. Weis**, Orchard Park, NY (US)
(73) Assignee: **McGard LLC**, Orchard Park, NY (US)

8,525,653 B1 * 9/2013 Bing F16B 41/005
340/426.1
D704,533 S * 5/2014 Nave D8/347
9,120,446 B2 * 9/2015 Thomas B60B 7/0013
9,777,761 B2 * 10/2017 Cadena B60B 3/165
10,486,461 B1 * 11/2019 Ivarsson B60R 25/01
10,612,579 B2 * 4/2020 Weis B60B 7/14
10,639,931 B2 * 5/2020 Price B60B 3/16
10,744,817 B2 * 8/2020 Chen B60B 3/147

(**) Term: **15 Years**

* cited by examiner

(21) Appl. No.: **29/673,446**

Primary Examiner — Doris Clark

(22) Filed: **Dec. 14, 2018**

(74) *Attorney, Agent, or Firm* — Timothy W. Menasco, Esq.; Rowland Richards, Esq.; Harter Secrest & Emery LLP

(51) **LOC (13) Cl.** **08-07**

(52) **U.S. Cl.**
USPC **D8/330**

(57) **CLAIM**

(58) **Field of Classification Search**
USPC D8/330, 331
CPC .. B60R 25/09; B60B 3/16; B60B 3/14; B60B 3/142; B60B 3/147; B60B 3/165; B60B 7/16; Y10T 70/5987; Y10T 70/5889; Y10T 70/5841; Y10T 70/5863; Y10T 70/5854

The ornamental design of a lock, as shown and described.

See application file for complete search history.

DESCRIPTION

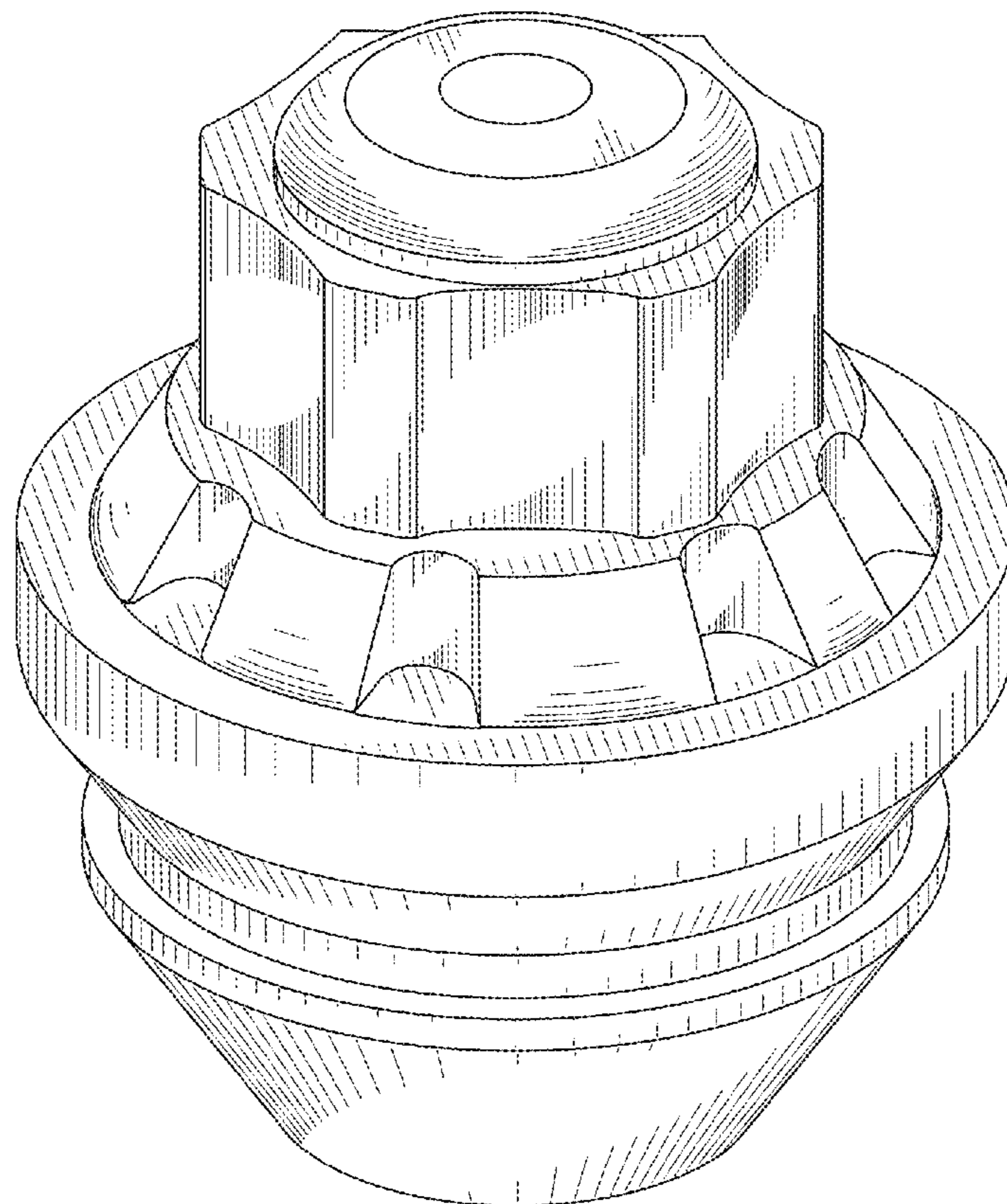
(56) **References Cited**

FIG. 1 is a front perspective view of a lock in accordance with the present invention;
FIG. 2 is a front view thereof;
FIG. 3 is a rear view thereof;
FIG. 4 is a top view thereof; and,
FIG. 5 is a bottom view thereof.
The lock is not limited to the scale shown herein.

U.S. PATENT DOCUMENTS

D600,530 S * 9/2009 Caudell D8/330
D658,965 S * 5/2012 Wyers D8/330

1 Claim, 5 Drawing Sheets



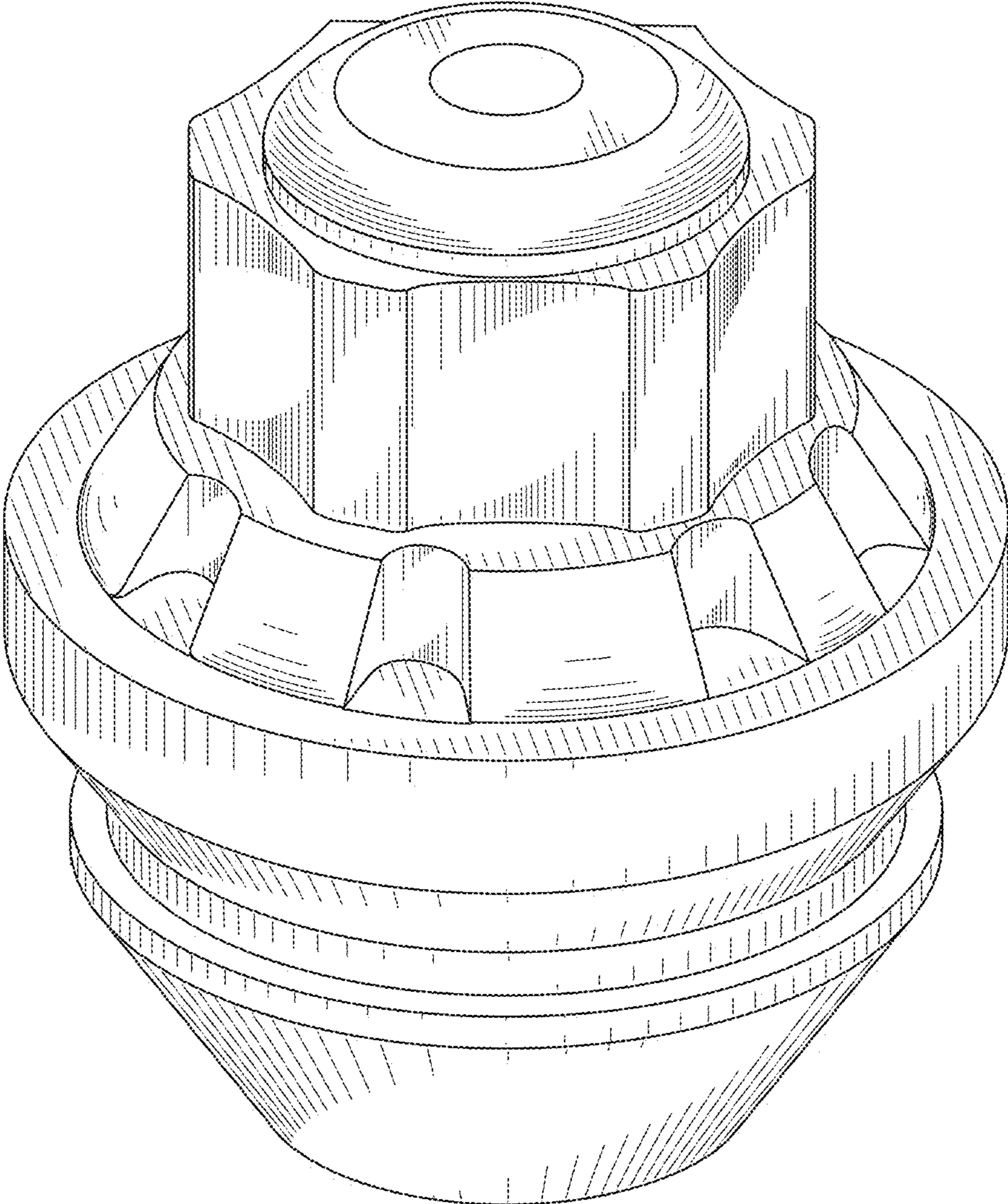


FIG. 1

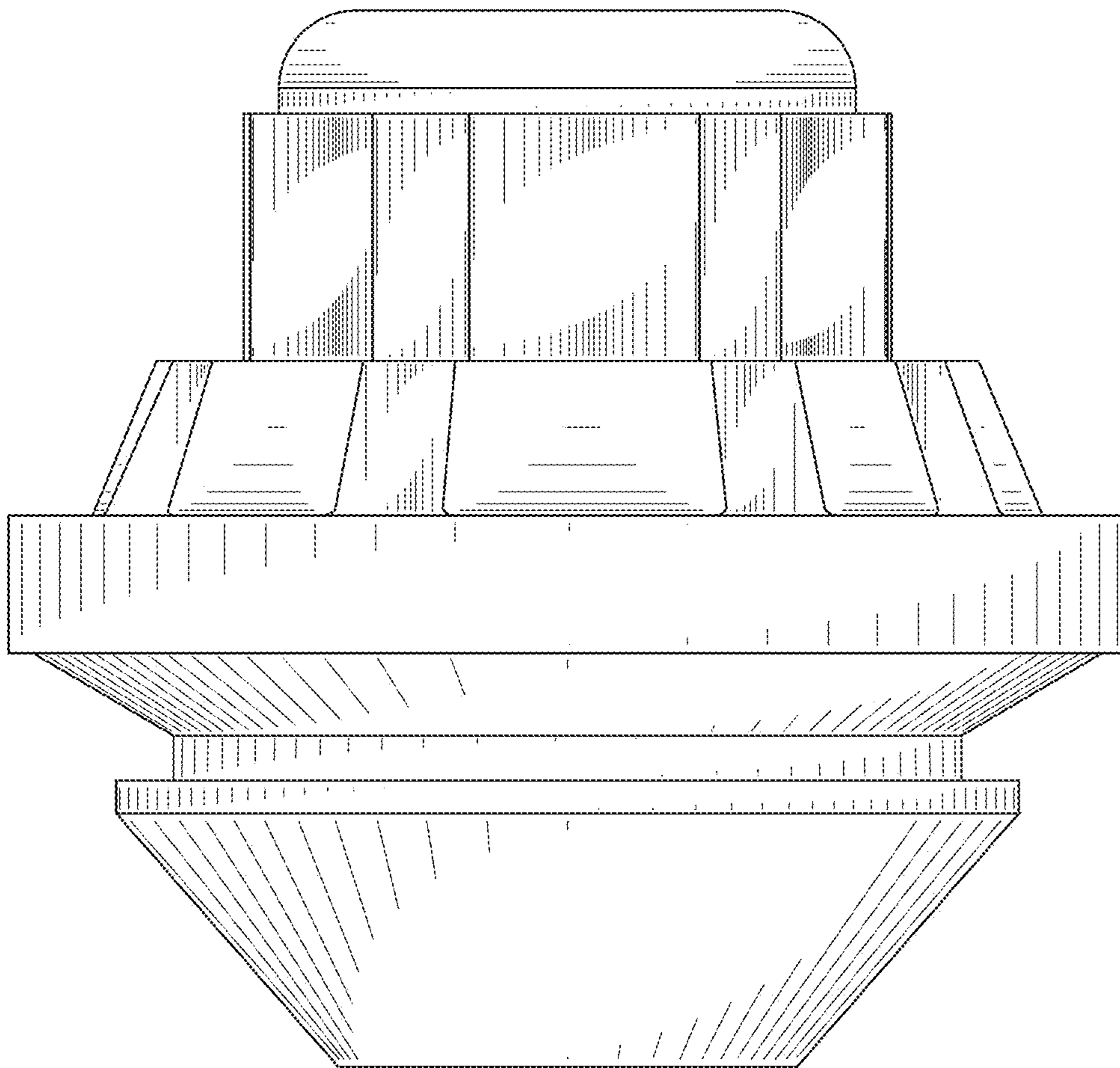


FIG. 2

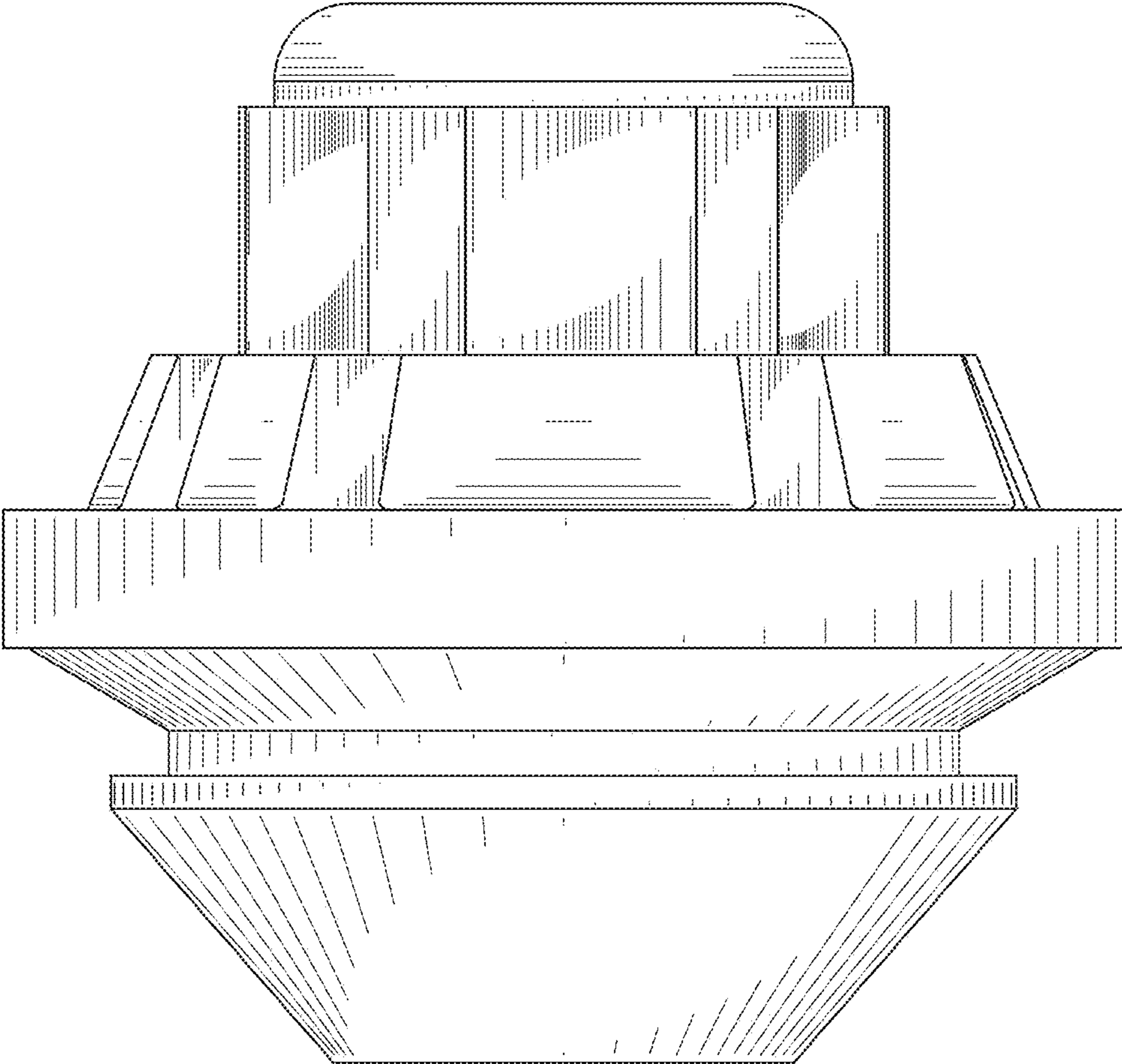


FIG. 3

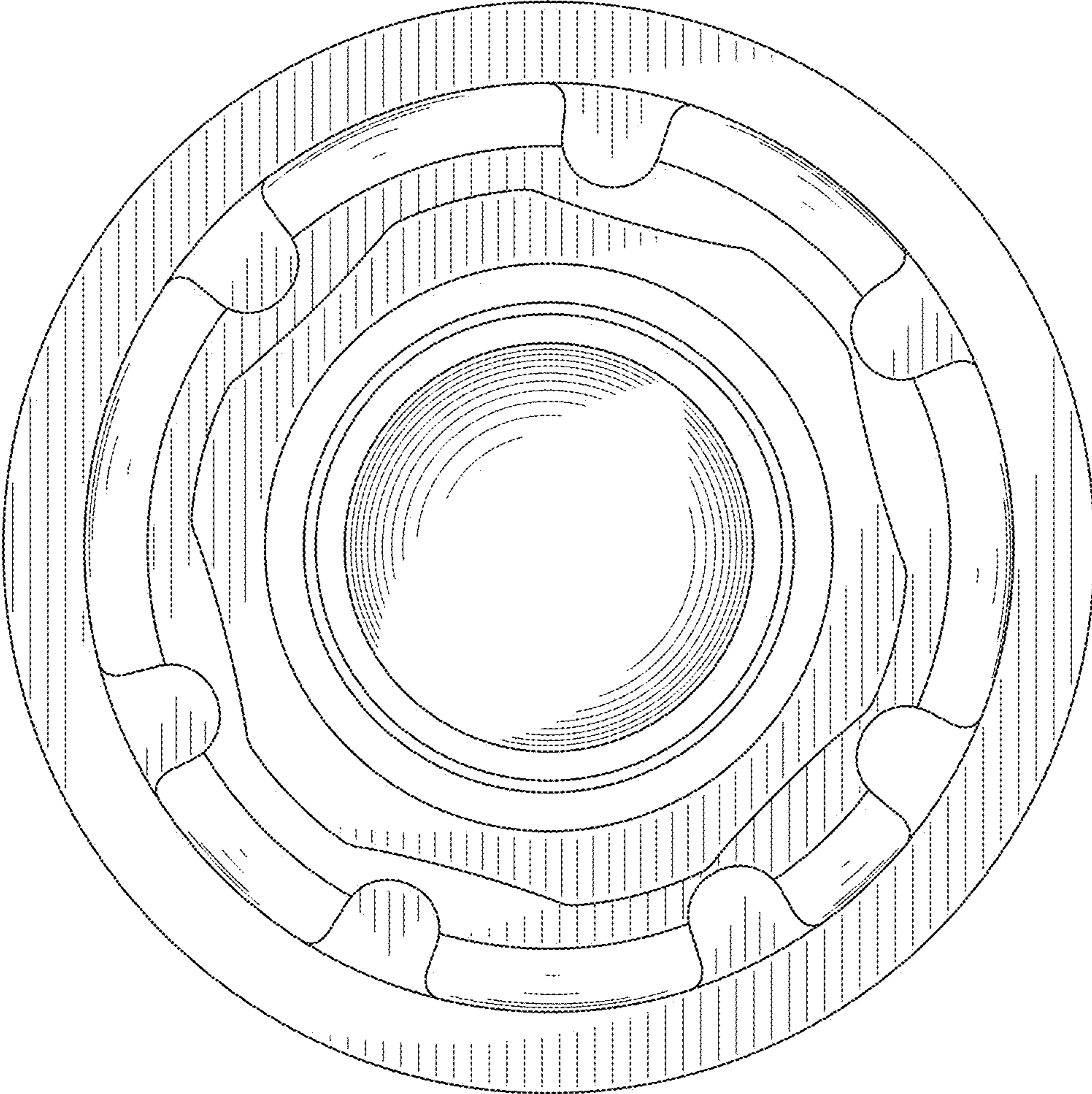


FIG. 4

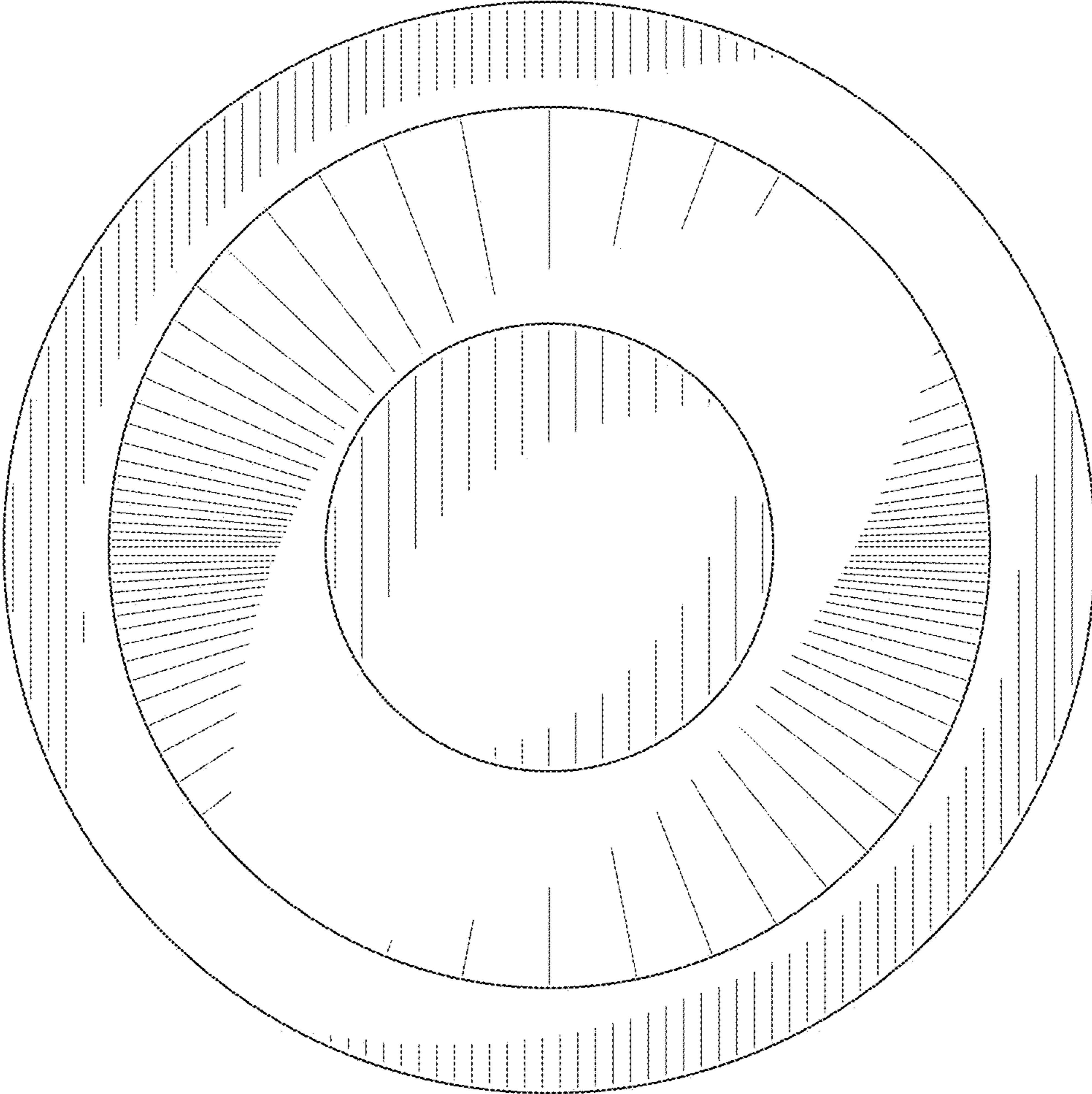


FIG. 5