



US00D911809S

(12) **United States Design Patent**
Wu

(10) **Patent No.:** **US D911,809 S**

(45) **Date of Patent:** **** Mar. 2, 2021**

(54) **CUTTER SHARPENER**

(71) Applicants: **Race Wu**, Taichung (TW); **Isaac Vellekamp**, Puyallup, WA (US)

(72) Inventor: **Race Wu**, Taichung (TW)

(73) Assignees: **Race Wu**, Taichung (TW); **Isaac Vellekamp**, Puyallup, WA (US)

(**) Term: **15 Years**

(21) Appl. No.: **29/718,059**

(22) Filed: **Dec. 20, 2019**

(30) **Foreign Application Priority Data**

Oct. 31, 2019 (TW) 108214402

(51) **LOC (13) Cl.** **08-05**

(52) **U.S. Cl.**
USPC **D8/93**

(58) **Field of Classification Search**

USPC D8/63, 90, 91, 92, 93
CPC B24B 3/54; B24B 3/36; B24B 3/58; B24B 3/00; B24B 23/08; B24B 15/00; B24B 15/06; B24B 15/08

See application file for complete search history.

(56) **References Cited**

U.S. PATENT DOCUMENTS

6,039,642 A * 3/2000 Collins B24D 15/06
451/45
6,398,633 B1 * 6/2002 Lothe B24D 15/082
451/349

D578,581 S * 10/2008 Smith D21/667
D587,550 S * 3/2009 Smith D8/91
D626,397 S * 11/2010 Smith D8/93
8,221,199 B2 * 7/2012 Smith B24B 3/54
451/552
D860,752 S * 9/2019 Bloch D8/93
D863,921 S * 10/2019 Chalfant D8/93
D863,922 S * 10/2019 Chalfant D8/93
D863,923 S * 10/2019 Chalfant D8/93

* cited by examiner

Primary Examiner — Philip S Hyder

(74) *Attorney, Agent, or Firm* — Muncy, Geissler, Olds and Lowe, PC

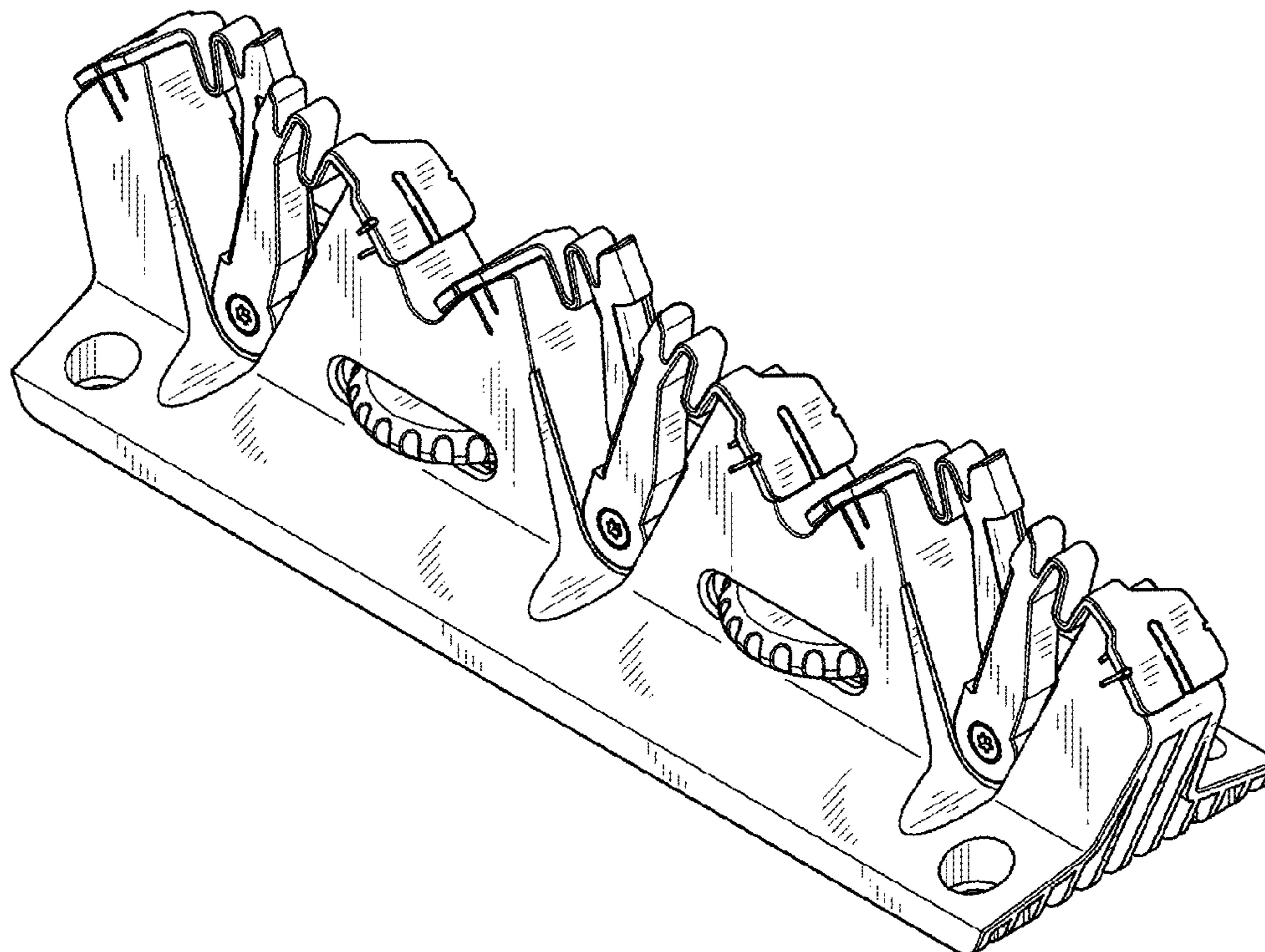
(57) **CLAIM**

The ornamental design for a cutter sharpener, as shown.

DESCRIPTION

FIG. 1 is a perspective view of a cutter sharpener, showing the new design;
FIG. 2 is a front elevational view thereof;
FIG. 3 is a rear elevational view thereof;
FIG. 4 is a left side elevational view thereof;
FIG. 5 is a right side elevational view thereof;
FIG. 6 is a top plan view thereof;
FIG. 7 is a bottom plan view thereof; and,
FIG. 8 is another perspective view thereof.

1 Claim, 5 Drawing Sheets



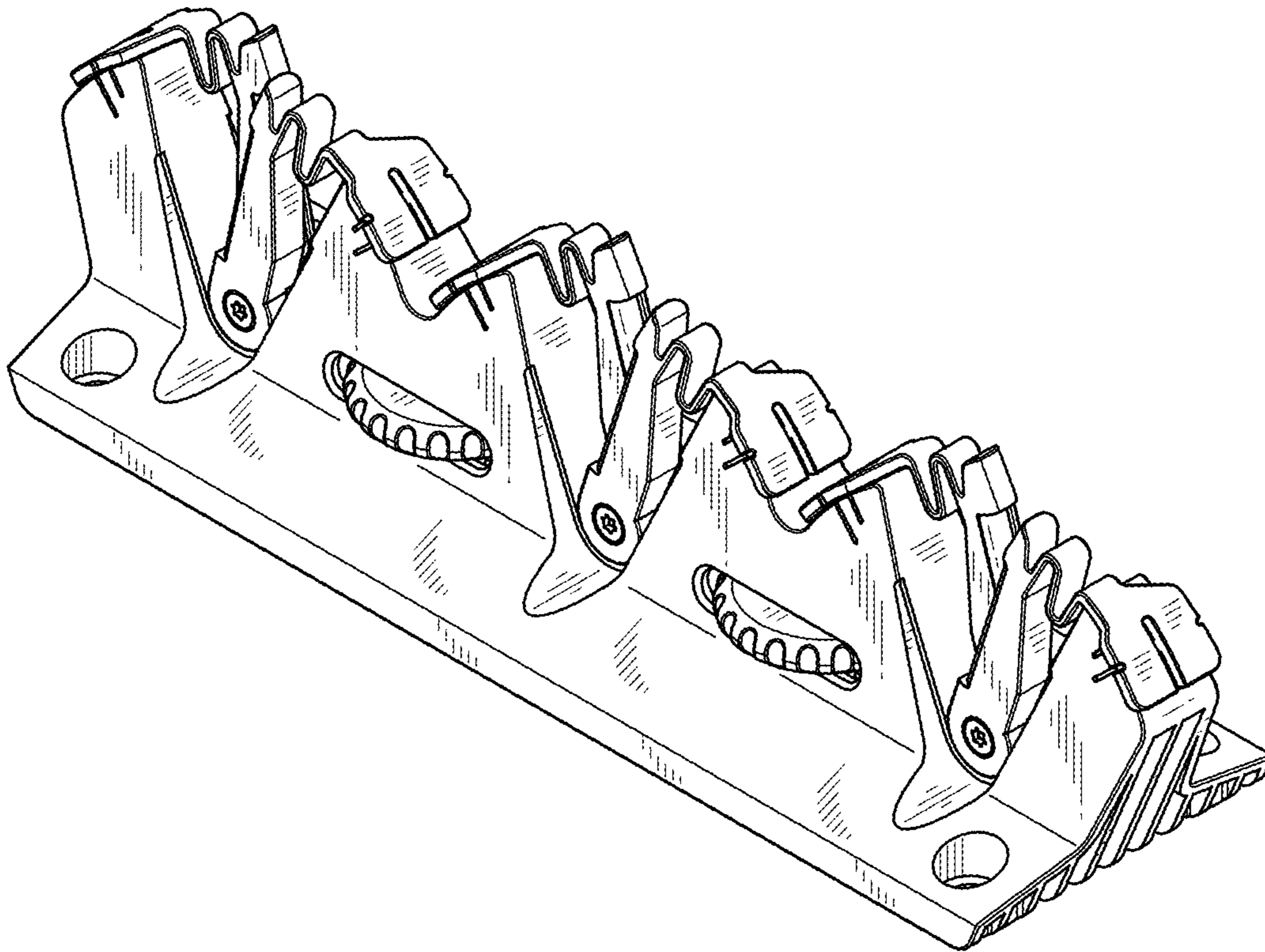


FIG. 1

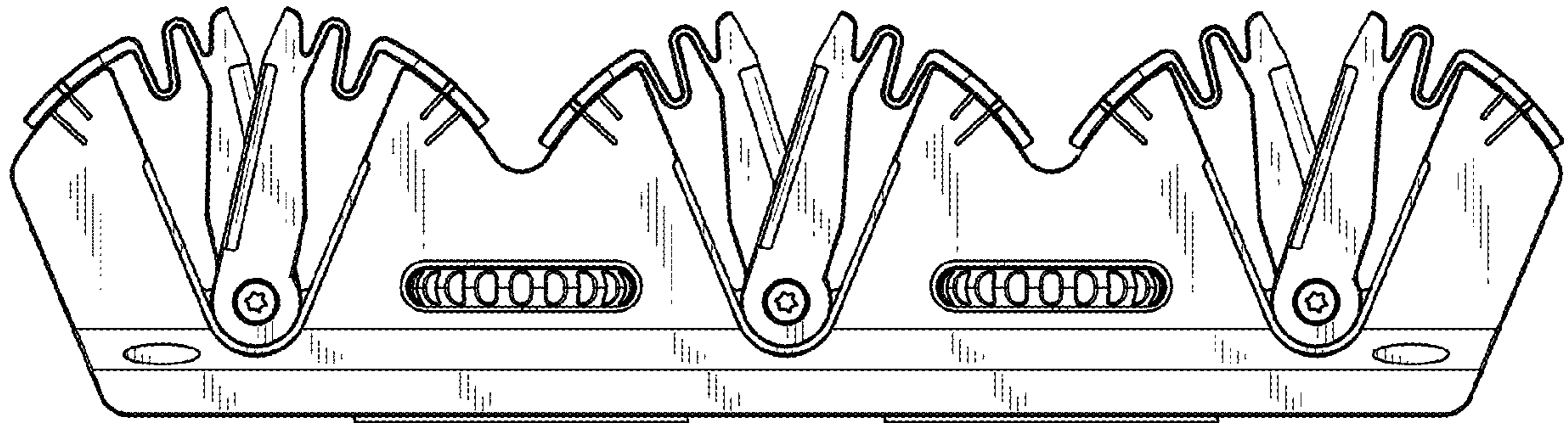


FIG. 2

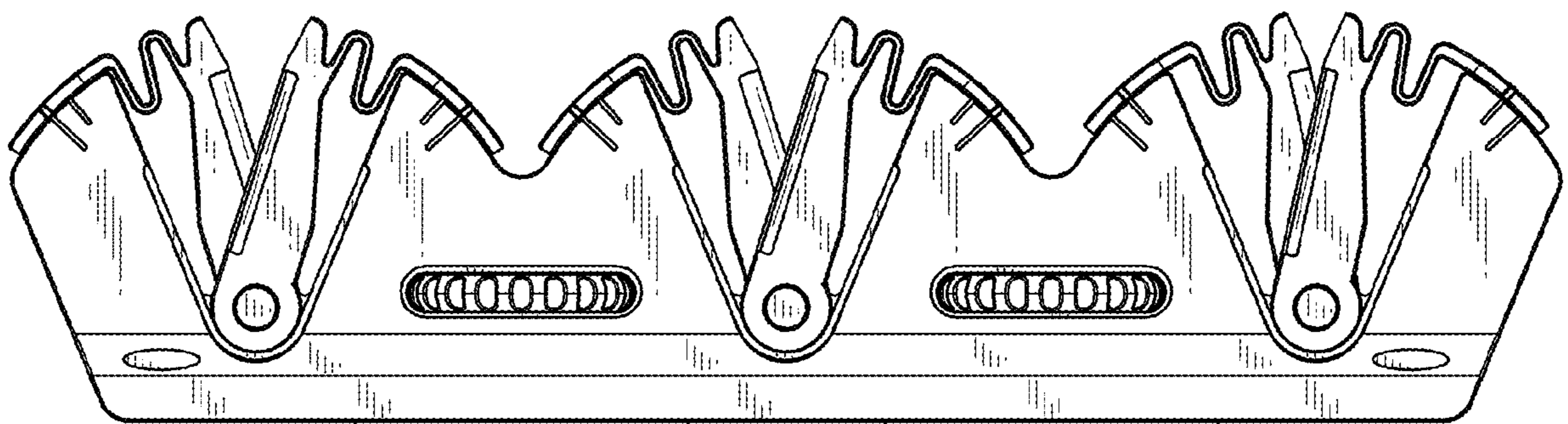


FIG. 3

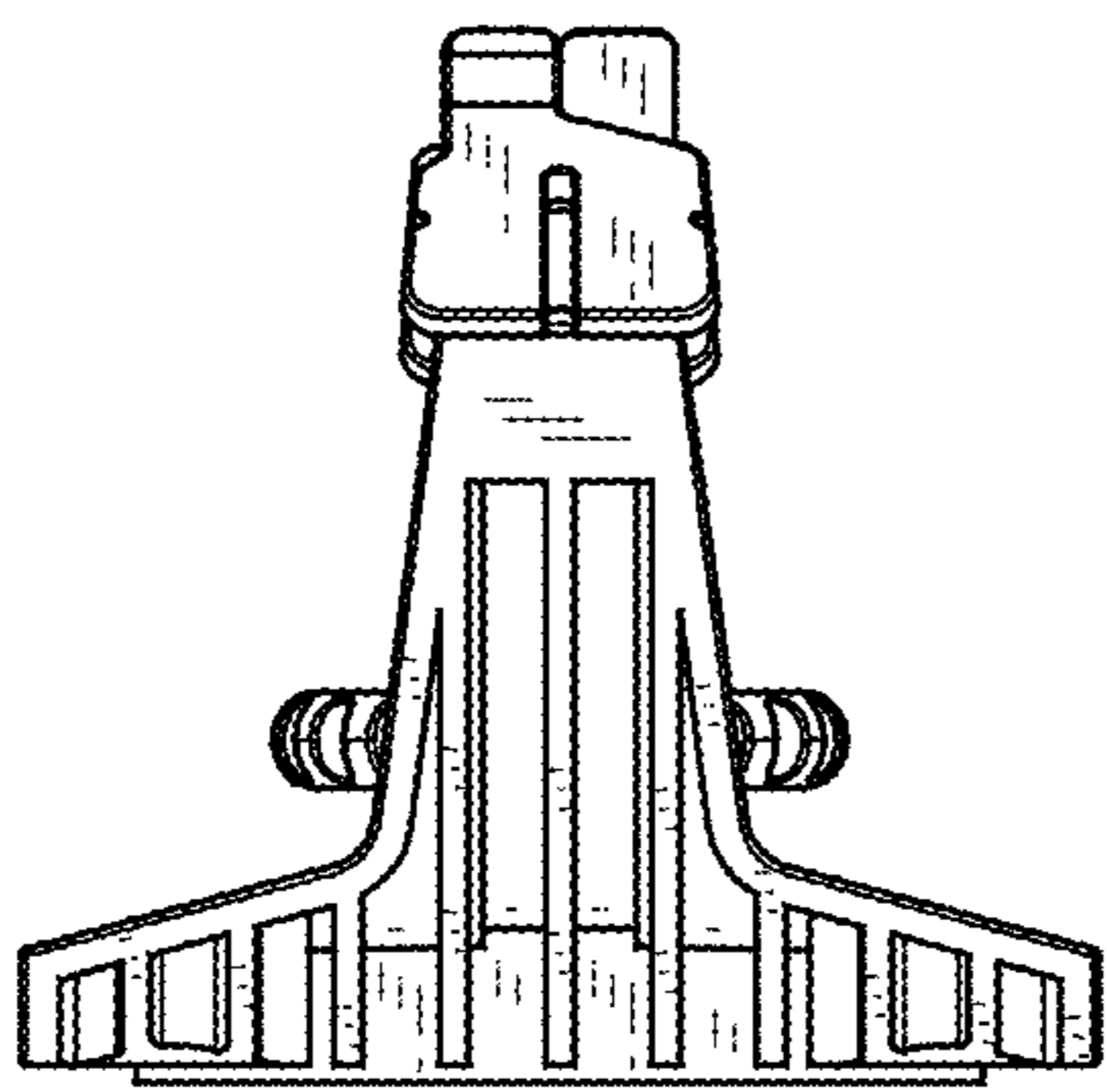


FIG. 4

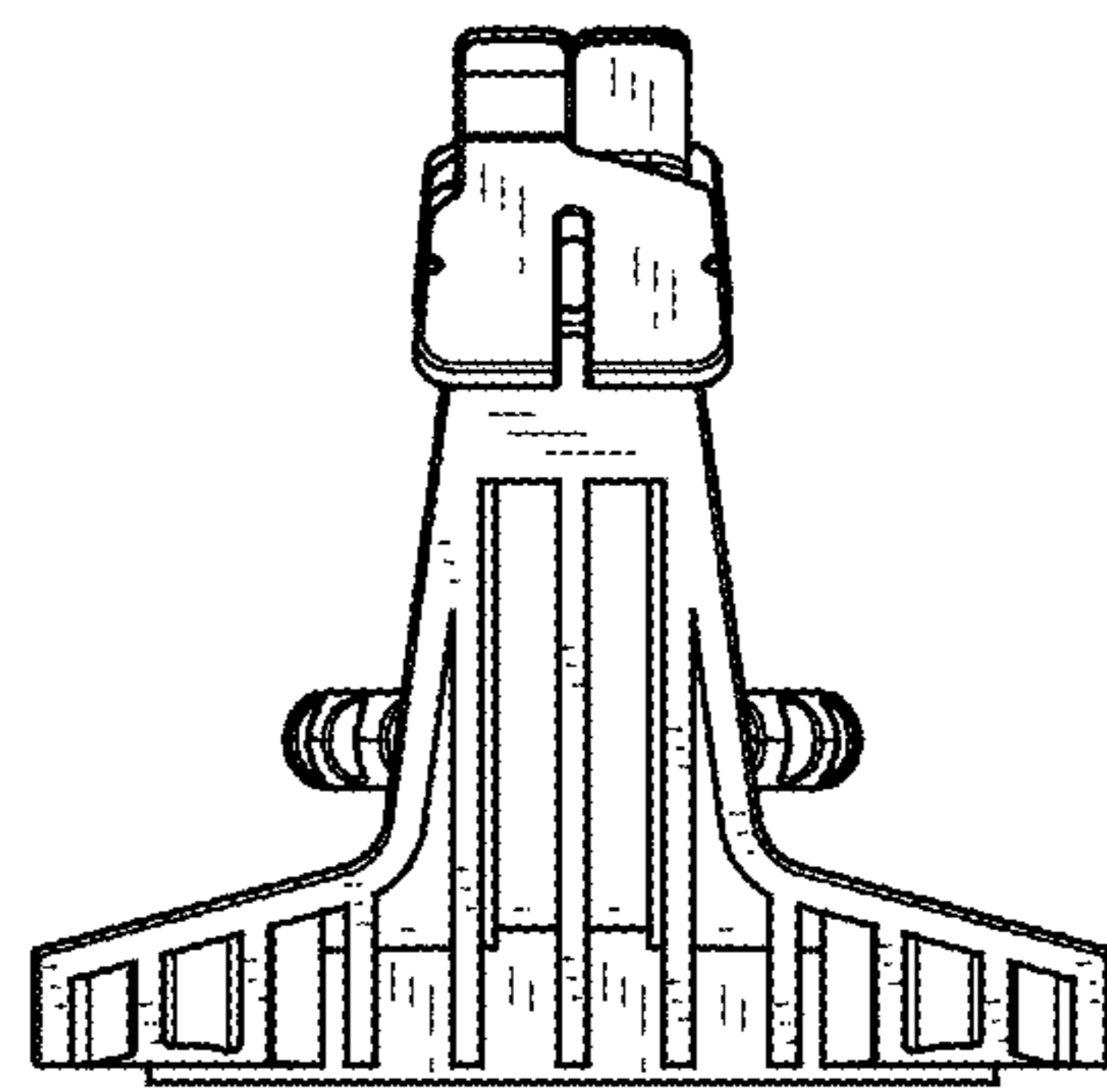


FIG. 5

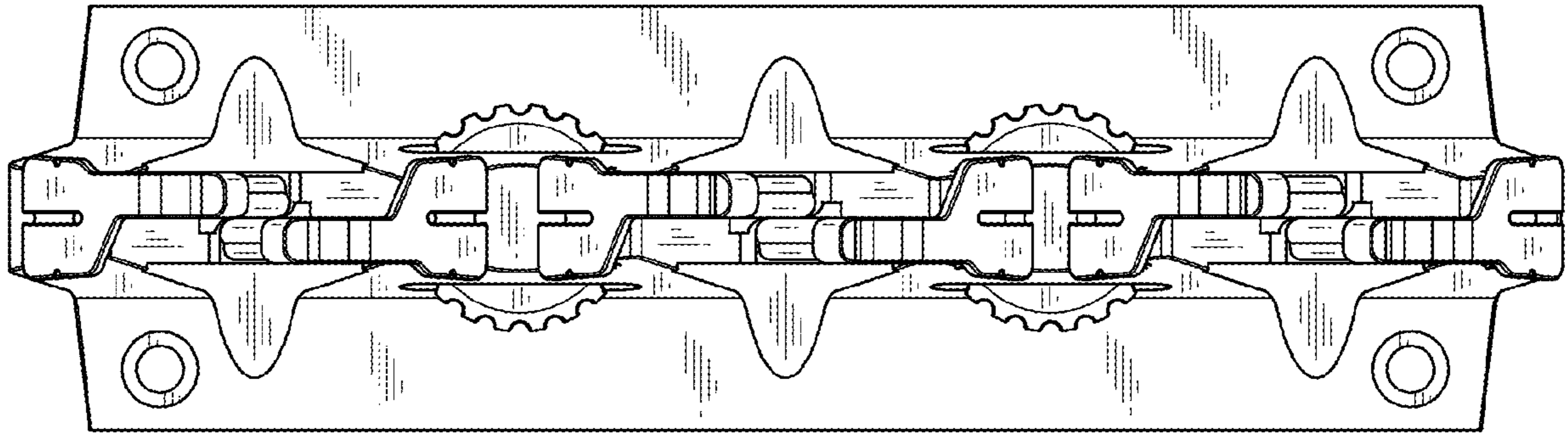


FIG. 6

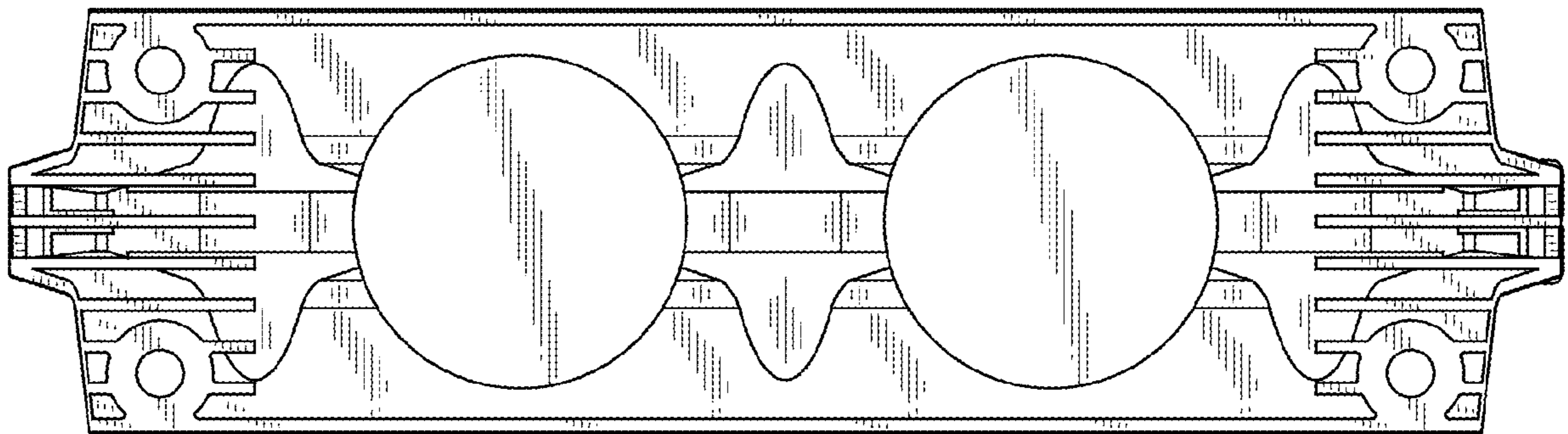


FIG. 7

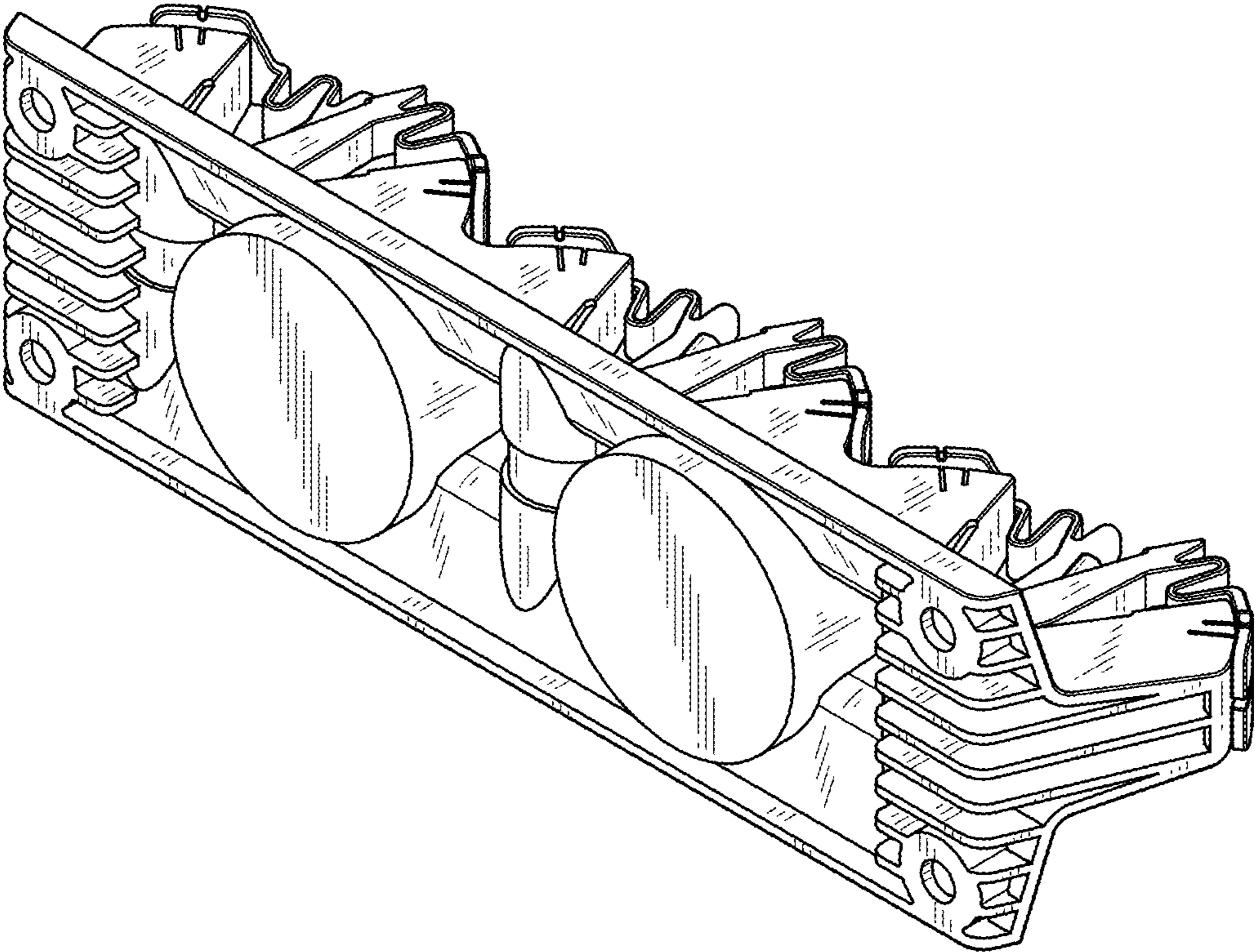


FIG. 8