



US00D911806S

(12) **United States Design Patent**
Francis

(10) **Patent No.:** **US D911,806 S**
(45) **Date of Patent:** **** Mar. 2, 2021**

- (54) **OLD WORK BOX DEVICE**
- (71) Applicant: **Walter Francis**, Stafford, VA (US)
- (72) Inventor: **Walter Francis**, Stafford, VA (US)
- (**) Term: **15 Years**
- (21) Appl. No.: **29/664,691**
- (22) Filed: **Sep. 27, 2018**
- (51) **LOC (13) Cl.** **08-05**
- (52) **U.S. Cl.**
USPC **D8/71**
- (58) **Field of Classification Search**
USPC ... D6/382-384, 406.1, 406.5, 654, 704, 705,
D6/705.1, 707; D8/71-74
CPC . A47B 96/1425; A47B 96/002; A47B 96/025;
A47F 5/04; A47F 5/10
See application file for complete search history.

10,124,481 B2 * 11/2018 Malone B25H 5/00
 D834,862 S * 12/2018 Dart D6/705
 10,151,425 B1 * 12/2018 Bileth B25H 3/06
 D876,197 S * 2/2020 Bileth B25H 3/06
 D8/71
 2020/0062024 A1 * 2/2020 Francis G01V 3/08

* cited by examiner

Primary Examiner — Keli L Hill
Assistant Examiner — Harold E Blackwell, II
 (74) *Attorney, Agent, or Firm* — Maier & Maier, PLLC

(57) **CLAIM**

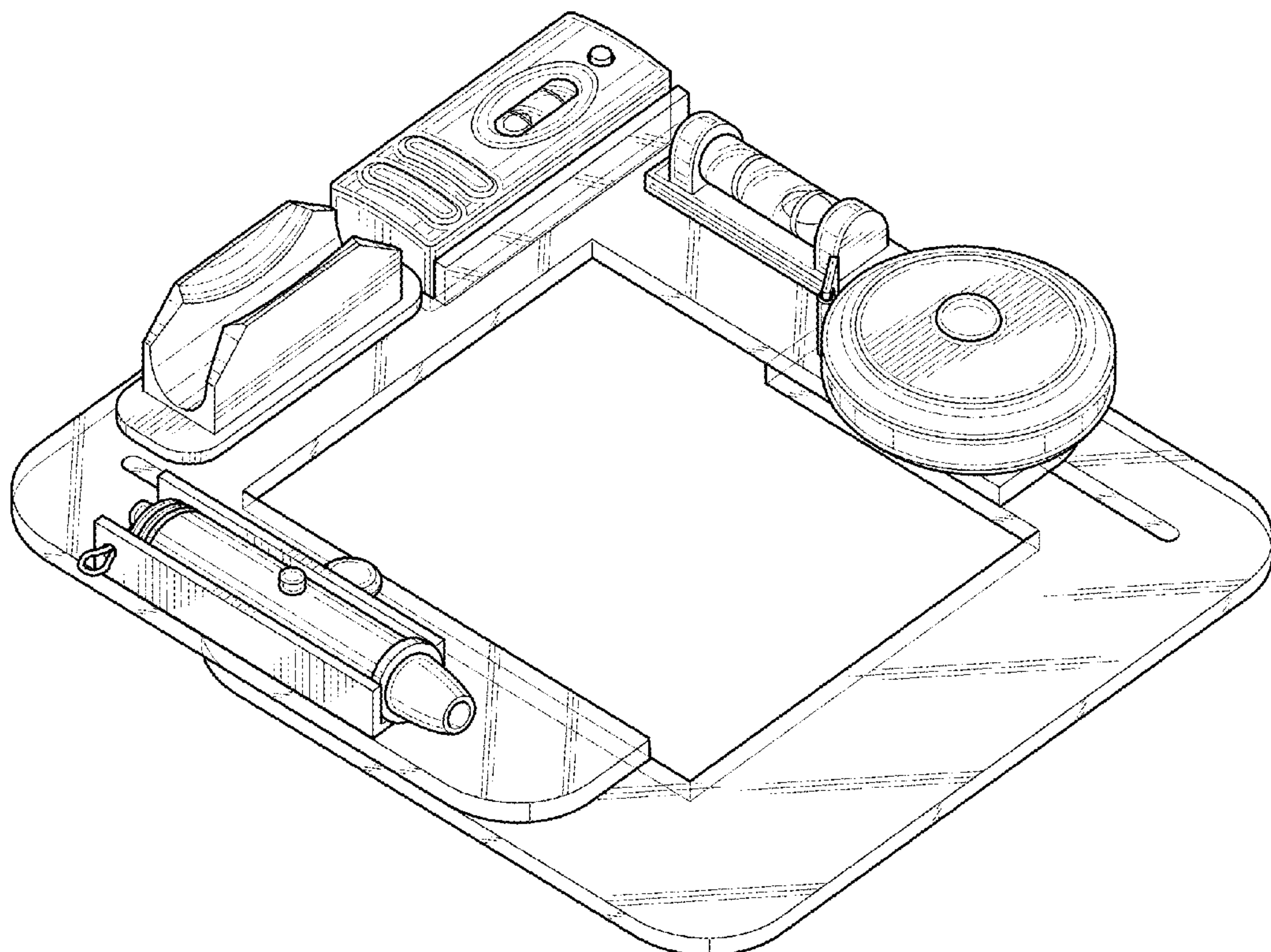
The ornamental design for an old work box device, as shown and described.

DESCRIPTION

FIG. 1 is a front perspective view of an old work box device; FIG. 2 is another front perspective view thereof showing a laser in an alternate position; FIG. 3 is a front view thereof; FIG. 4 is a rear view thereof; FIG. 5 is a bottom view thereof; FIG. 6 is a top view thereof; FIG. 7 is a right view thereof; FIG. 8 is a left view thereof; and, FIG. 9 is a rear view thereof with a sliding element being shown in an alternate position. The oblique shade lines shown on the frame of the old work box device represent a transparent material.

1 Claim, 7 Drawing Sheets

- (56) **References Cited**
U.S. PATENT DOCUMENTS
- 1,747,628 A * 2/1930 Hagel A41H 17/00
211/13.1
- 5,564,962 A * 10/1996 Navarrete Espinosa
A63H 18/02
446/128
- 6,623,956 B1 * 9/2003 Cecchi C12M 21/06
422/561
- D696,540 S * 12/2013 Dart D6/705.1
- D746,087 S * 12/2015 Dart D6/678.1
- 9,220,341 B2 * 12/2015 Dart A47F 5/16



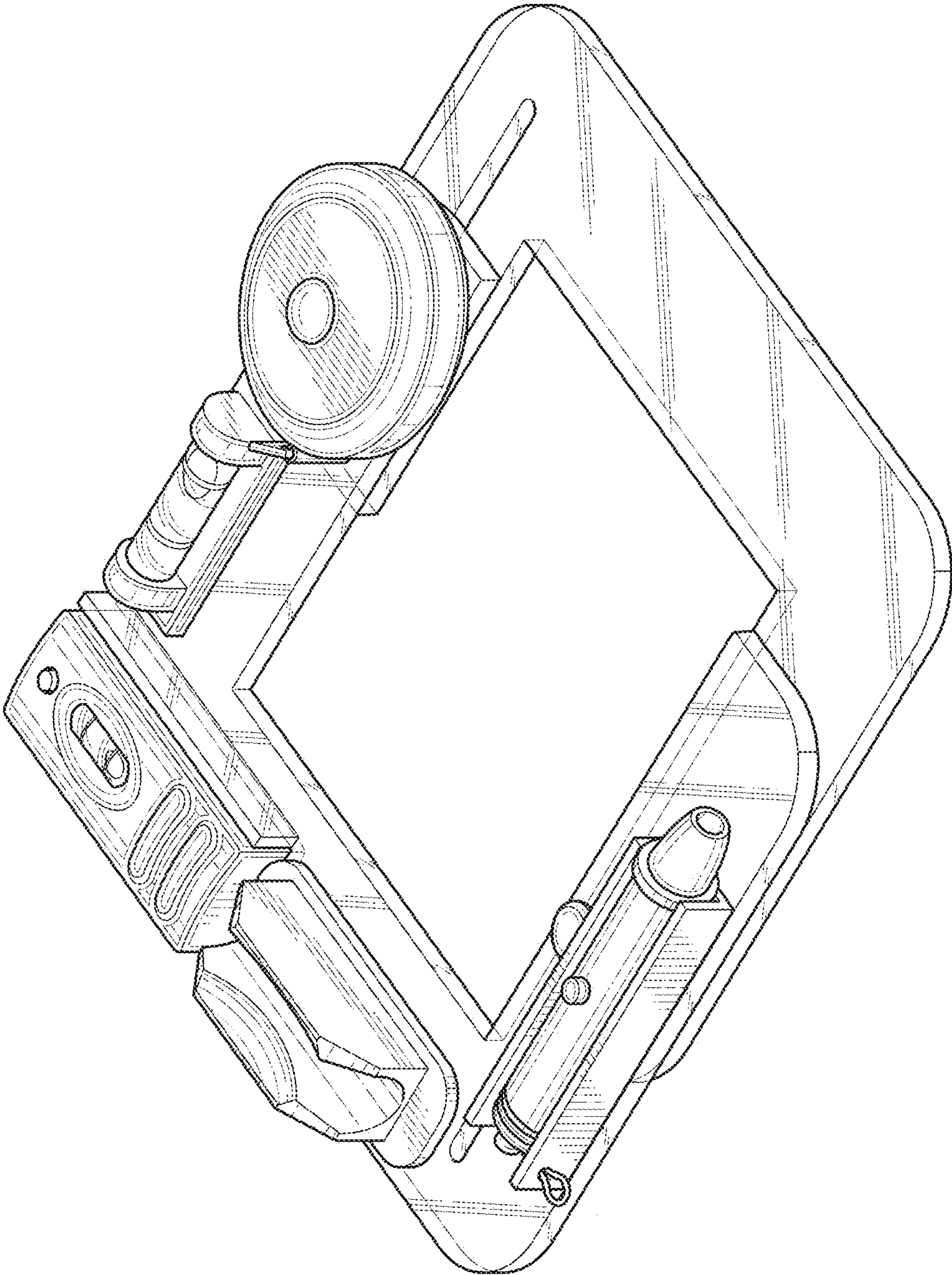


FIG. 1

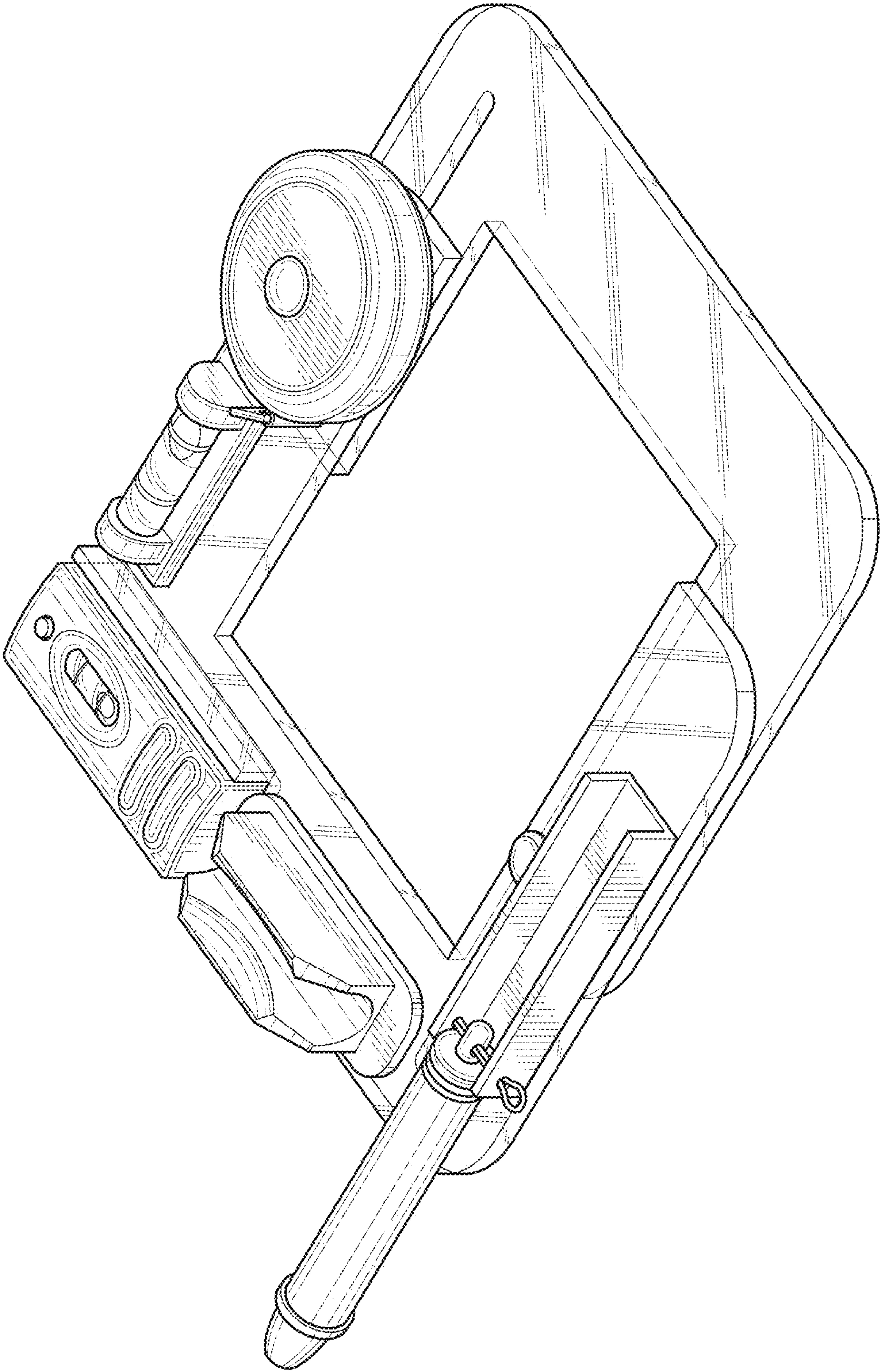


FIG. 2

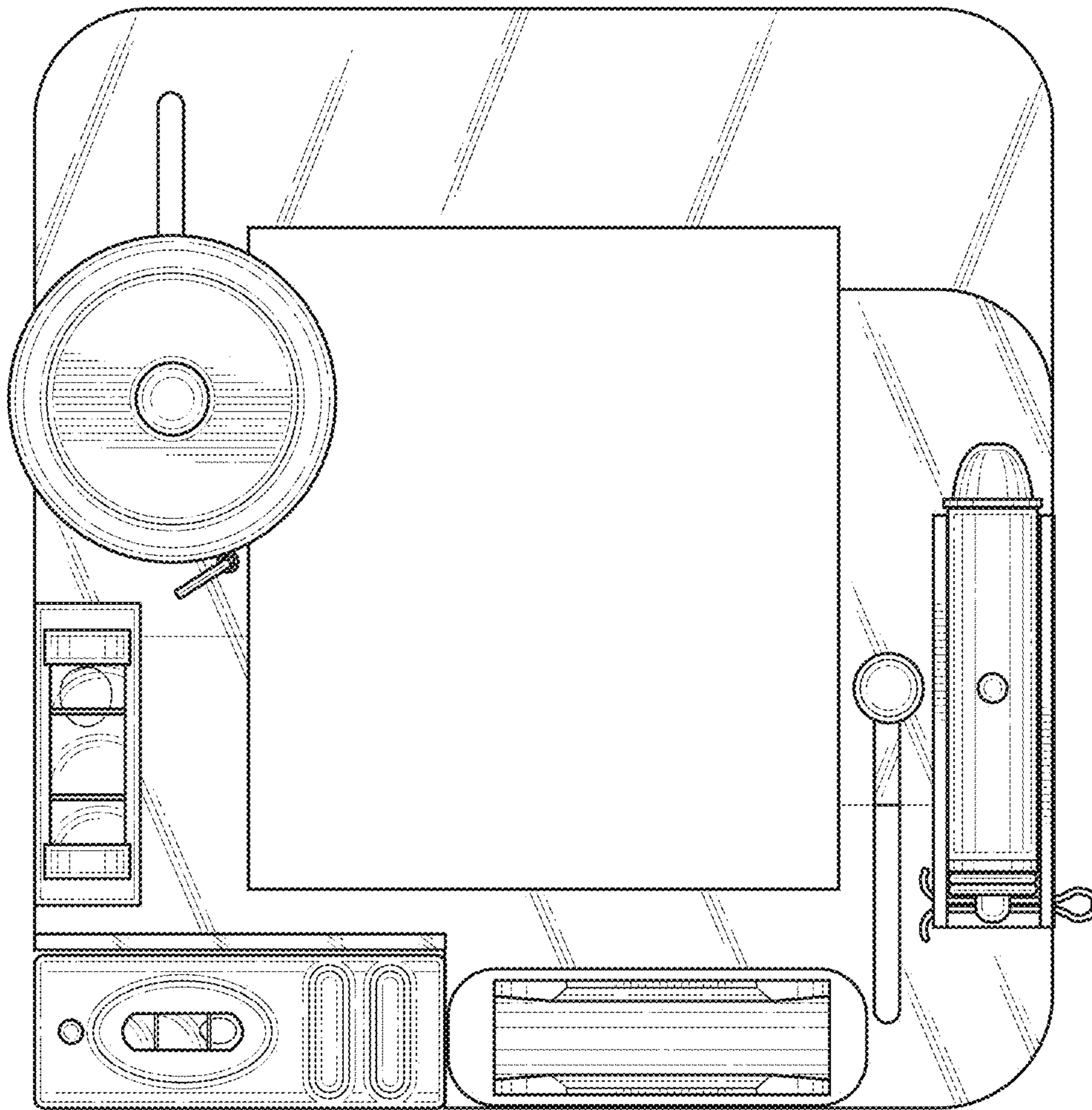


FIG. 3

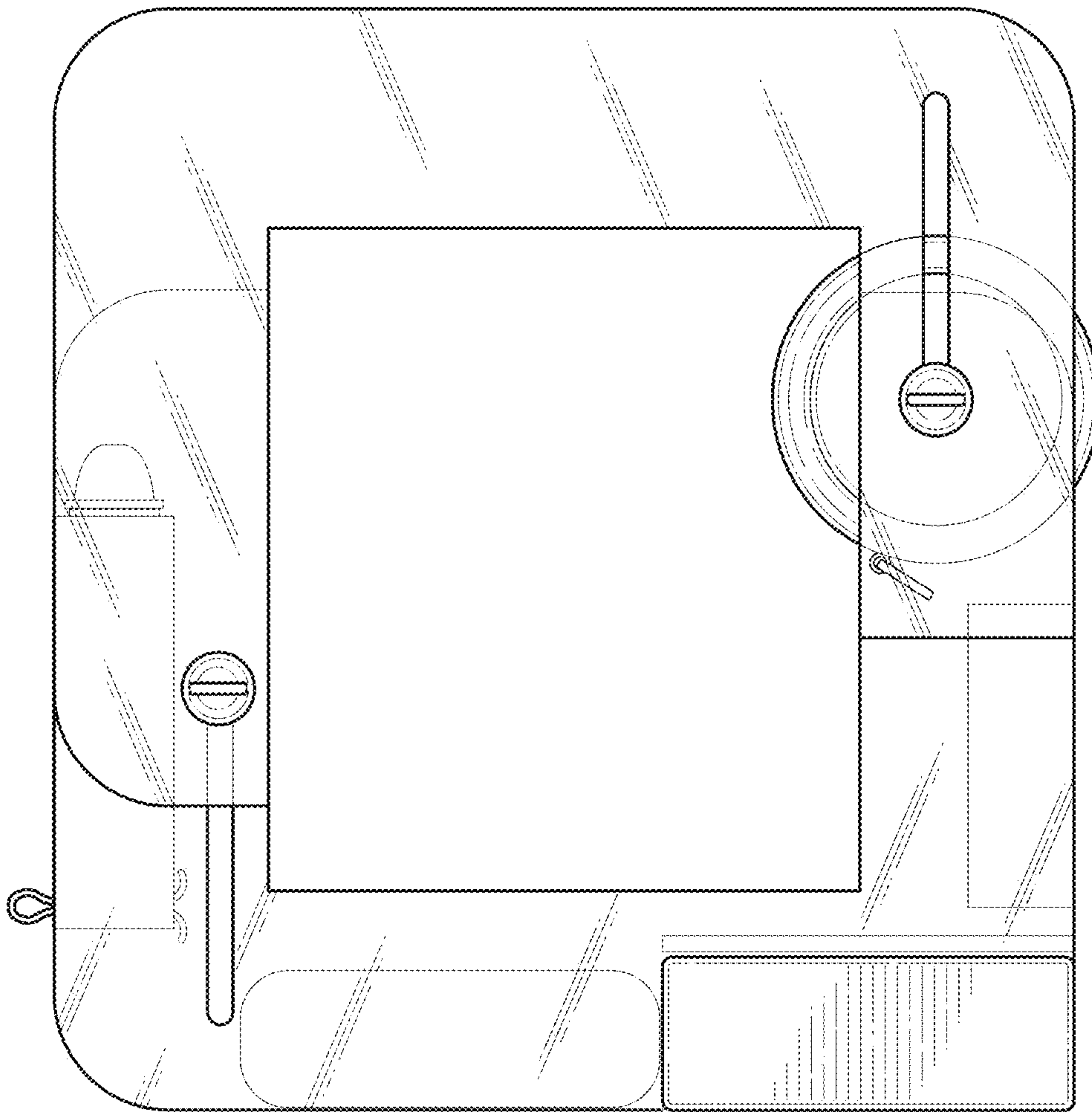


FIG. 4

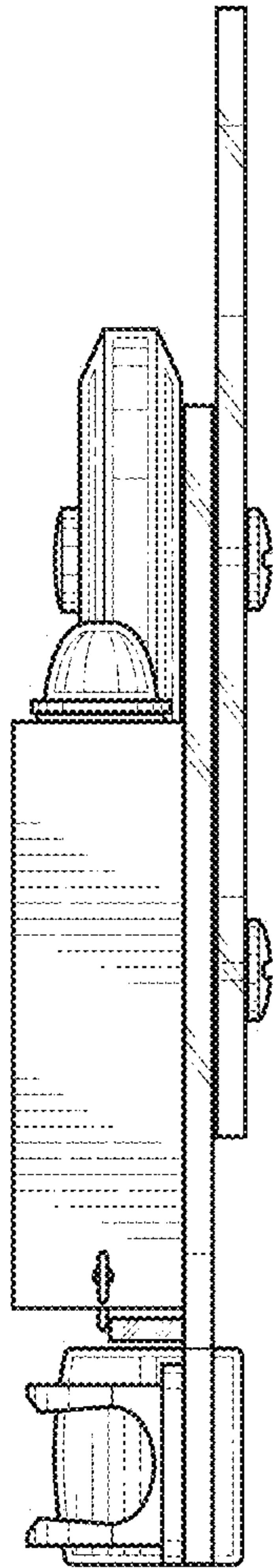


FIG. 5

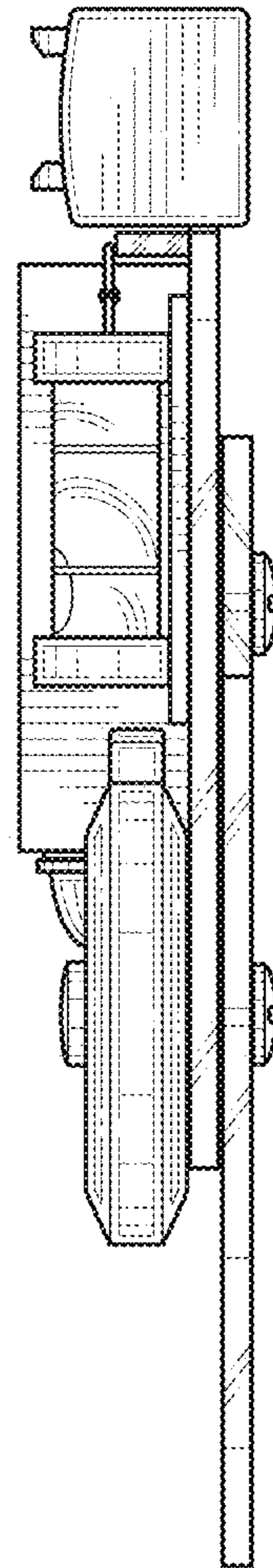


FIG. 6

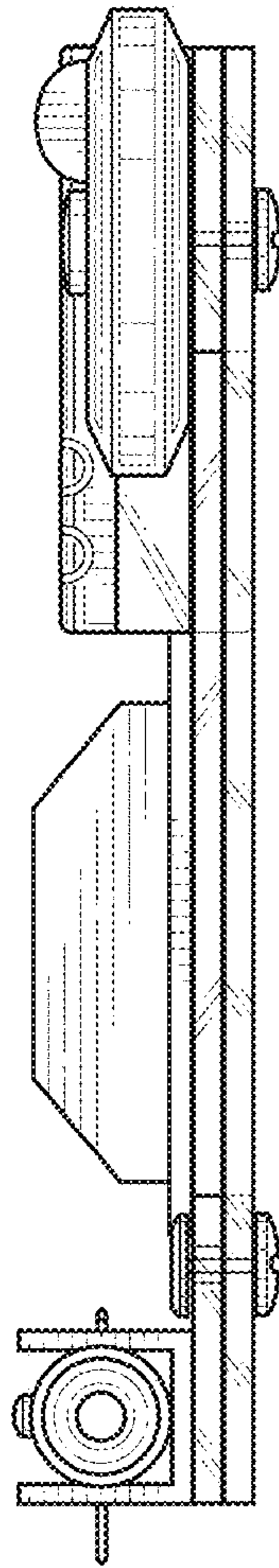


FIG. 7

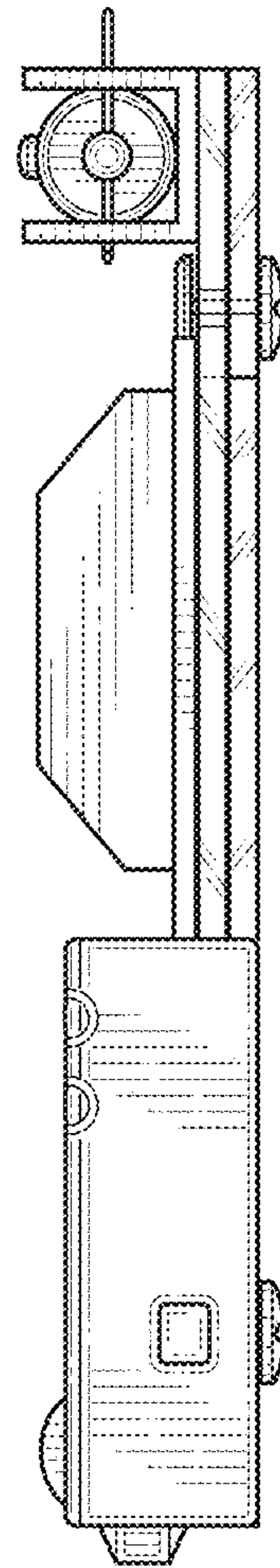


FIG. 8

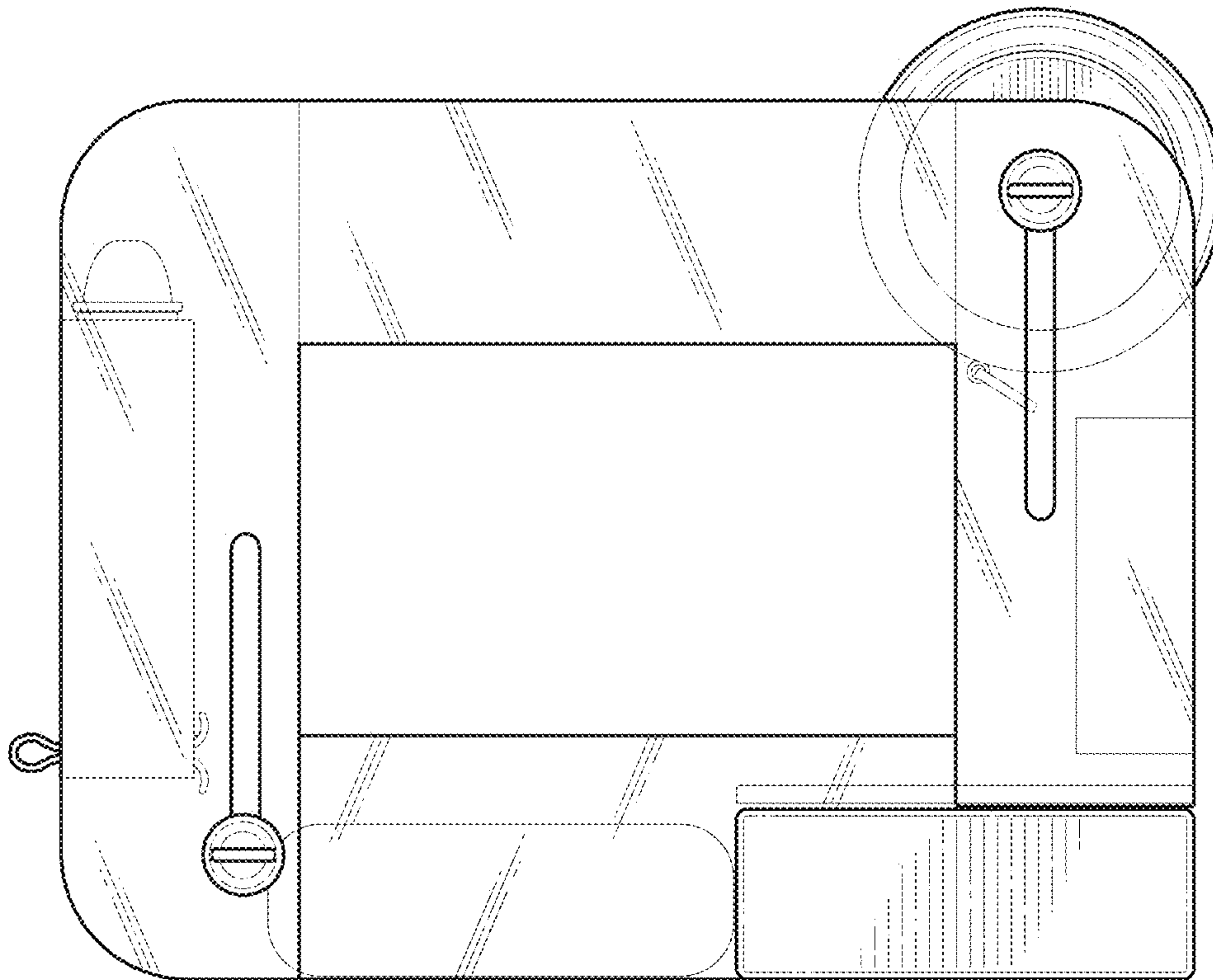


FIG. 9