



US00D911805S

(12) **United States Design Patent** (10) **Patent No.:** **US D911,805 S**
Lou (45) **Date of Patent:** **** Mar. 2, 2021**

(54) **GRINDER SHROUD**

(71) Applicant: **Zhejiang Yongkang Moyi Tools Co., Ltd, Zhejiang (CN)**

(72) Inventor: **Jun Lou, Zhejiang (CN)**

(**) Term: **15 Years**

(21) Appl. No.: **29/692,568**

(22) Filed: **May 28, 2019**

(51) **LOC (13) Cl.** **08-05**

(52) **U.S. Cl.**
USPC **D8/70; D15/126**

(58) **Field of Classification Search**
USPC D15/122, 124, 127, 138, 139; D8/62, 70
CPC B24B 23/028; B24B 55/052; B24B 55/10;
B24B 55/102; B24B 27/08
See application file for complete search history.

(56) **References Cited**

U.S. PATENT DOCUMENTS

D162,595 S *	3/1951	Theis et al.	D32/20
4,135,334 A *	1/1979	Rudiger	B24B 55/102
			451/456
4,899,495 A *	2/1990	Attinger	B24B 55/102
			451/359
5,125,190 A *	6/1992	Buser	B24B 55/102
			451/359
D334,330 S *	3/1993	Moshammer	D8/70
5,527,207 A *	6/1996	Azar	B24B 55/102
			451/344
D376,526 S *	12/1996	Hepburn	D8/70
D407,617 S *	4/1999	Cooper	D8/66
6,027,399 A *	2/2000	Stewart	B24B 23/02
			451/353
D421,703 S *	3/2000	Isaksen	D8/70
D458,825 S *	6/2002	Keller	D8/70
6,540,598 B1 *	4/2003	McCutchen	B24B 7/186
			451/350
D572,992 S *	7/2008	Reiling	D8/70

D614,678 S *	4/2010	Jorgensen	D15/138
D724,922 S *	3/2015	Alamilla	D8/70
D742,710 S *	11/2015	Wiedemann	D8/70
D743,230 S *	11/2015	Wiedemann	D8/70
D802,635 S *	11/2017	Romanoff	D15/138
D818,788 S *	5/2018	Dammkoehler	D8/70
D876,916 S *	3/2020	Matson	D8/70

(Continued)

OTHER PUBLICATIONS

Diment, Power Universal Surface Grinding Dust Shroud for Angle Grinder 4 inch/4.5 inch/ 5 inch, (date first available Sep. 25, 2019), Amazon.com, URL:<<https://www.amazon.com/Diment-Power-Surface-Grinding-Grinders/dp/B07YD15B87>> (Year: 2019).*

(Continued)

Primary Examiner — Sheryl Lane

Assistant Examiner — Mark T. Philipps

(74) *Attorney, Agent, or Firm* — Prakash Nama; Global IP Services, PLLC

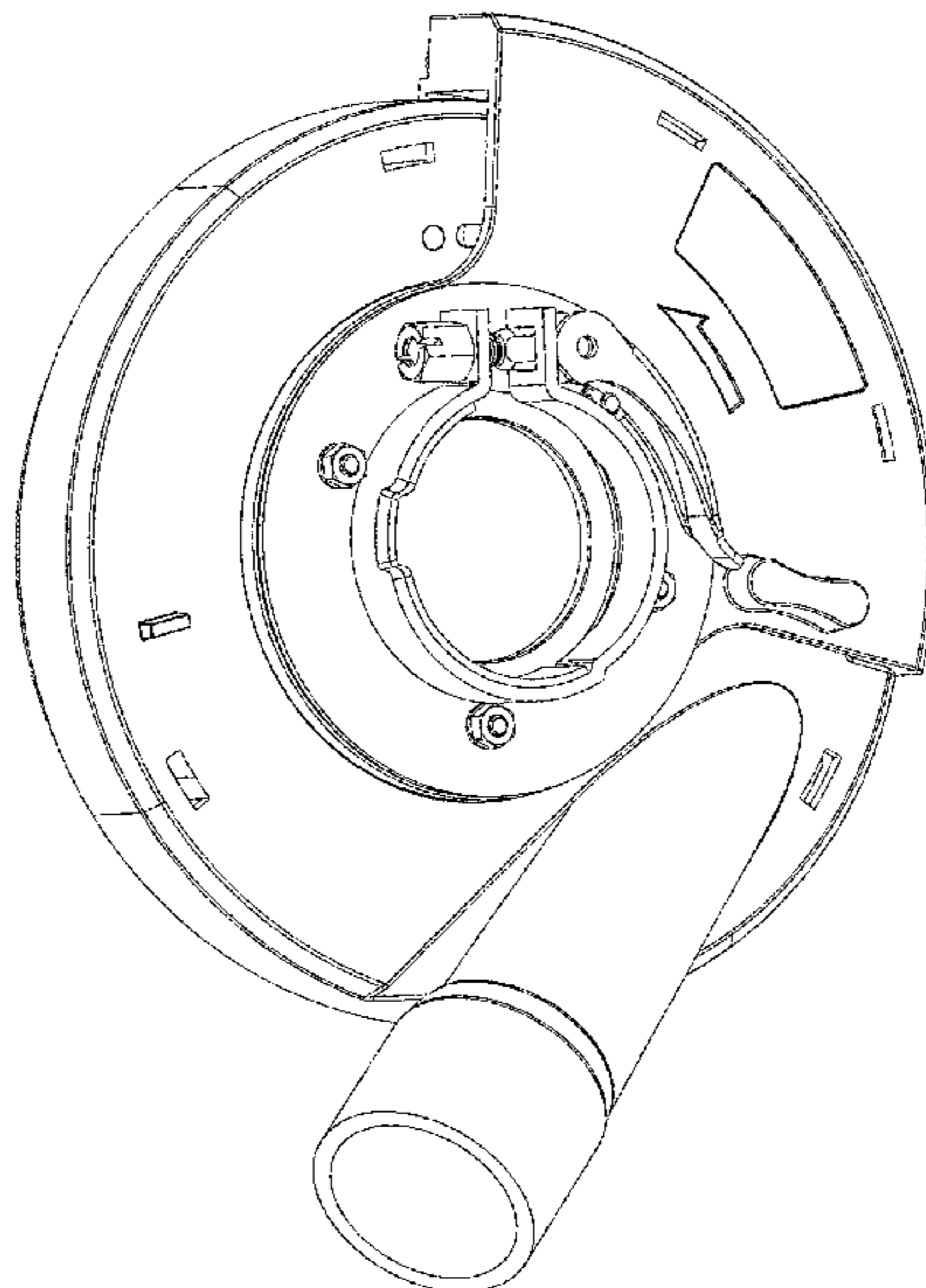
(57) **CLAIM**

The ornamental design for a grinder shroud, as shown and described.

DESCRIPTION

FIG. 1 is a front elevational view of a grinder shroud showing my new design;
FIG. 2 is a rear elevational view thereof;
FIG. 3 is a left side view thereof;
FIG. 4 is a right side view thereof;
FIG. 5 is a top plan view thereof;
FIG. 6 is a bottom plan view thereof;
FIG. 7 is a perspective view thereof;
FIG. 8 is a second perspective view thereof; and,
FIG. 9 is a third perspective view thereof.
The broken lines shown in grinder shroud form no part of the claimed design.

1 Claim, 9 Drawing Sheets



(56)

References Cited

U.S. PATENT DOCUMENTS

D882,367 S * 4/2020 King, Jr. D8/70
 D883,057 S * 5/2020 King, Jr. D8/70
 D886,877 S * 6/2020 Inkster D15/126
 2003/0013396 A1 * 1/2003 Sun B24B 55/102
 451/456
 2009/0181605 A1 * 7/2009 Loveless B24B 55/102
 451/456
 2009/0181606 A1 * 7/2009 Loveless B23Q 11/0046
 451/456
 2009/0186559 A1 * 7/2009 Loveless B24B 55/10
 451/28
 2010/0285729 A1 * 11/2010 Loveless B24B 55/04
 451/456
 2011/0021121 A1 * 1/2011 Loveless B24B 23/028
 451/456
 2013/0137347 A1 * 5/2013 Chen B24B 55/102
 451/359

2013/0137348 A1 * 5/2013 Chen B24B 55/102
 451/453
 2014/0342645 A1 * 11/2014 Tagscherer B24B 55/052
 451/451
 2014/0352106 A1 * 12/2014 King, Jr. A47L 9/02
 15/415.1
 2019/0321940 A1 * 10/2019 King, Jr. B28D 7/02
 2020/0139508 A1 * 5/2020 Ohlendorf B24B 55/102

OTHER PUBLICATIONS

QuickT, GDS701 K Universal Surface Grinding Angle Grinder Dust Shroud 5 Inch—Dust Cover Collector with Vacuum Attachment for Angle Hand Grinders, (site visited Aug. 12, 2020), Amazon.com, URL:<<https://www.amazon.com/QuickT-GDS701K-Universal-Surface-Grinding/dp/B07YQ99DXN>> (Year: 2020).
 DeWalt, Surface Grinding Dust Shroud, (site visited Aug. 12, 2020), Lowes.com, URL:<<https://www.lowes.com/pd/DEWALT-Surface-Grinding-Dust-Shroud/1000183755>> (Year: 2020).*

* cited by examiner

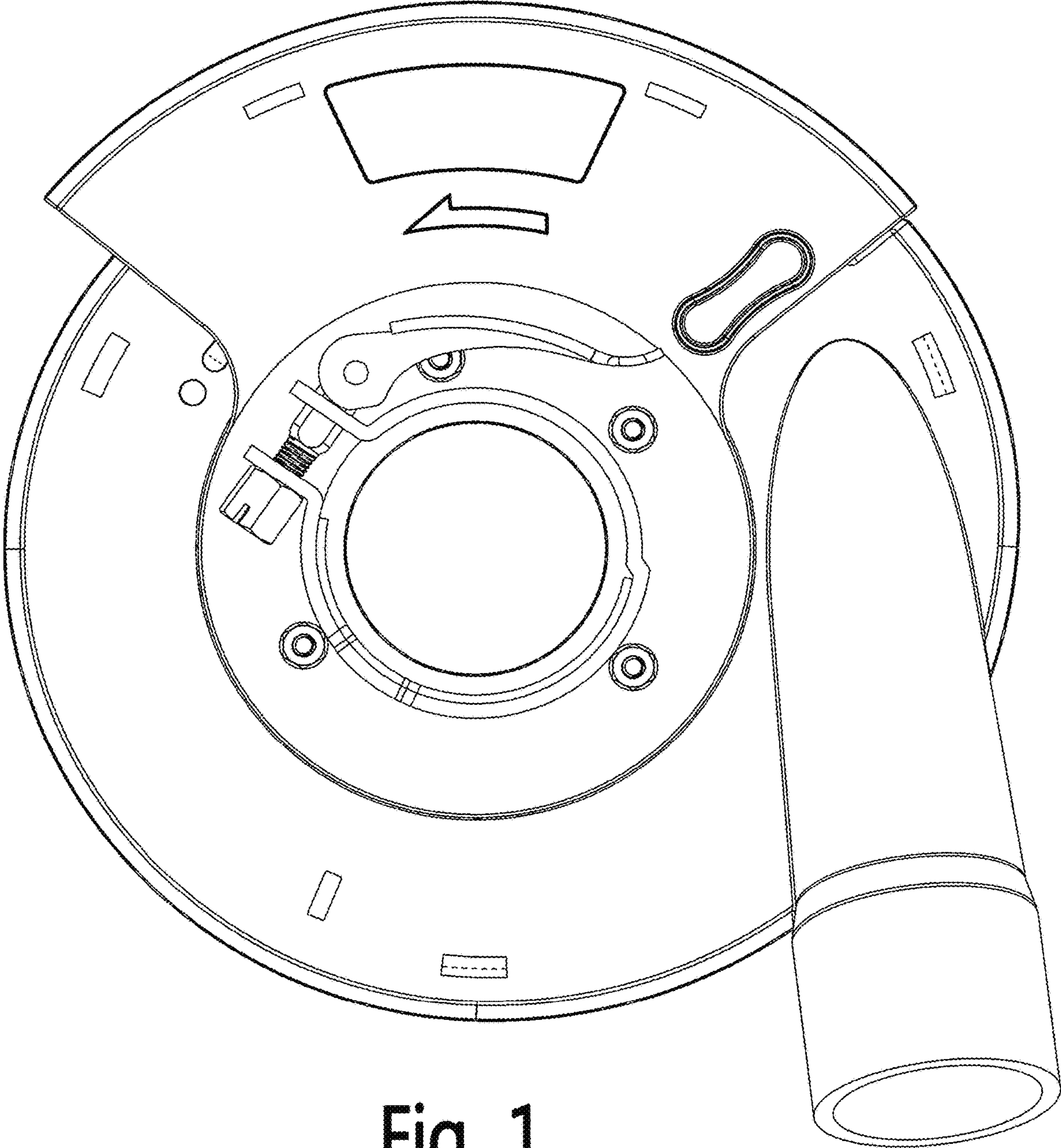


Fig. 1

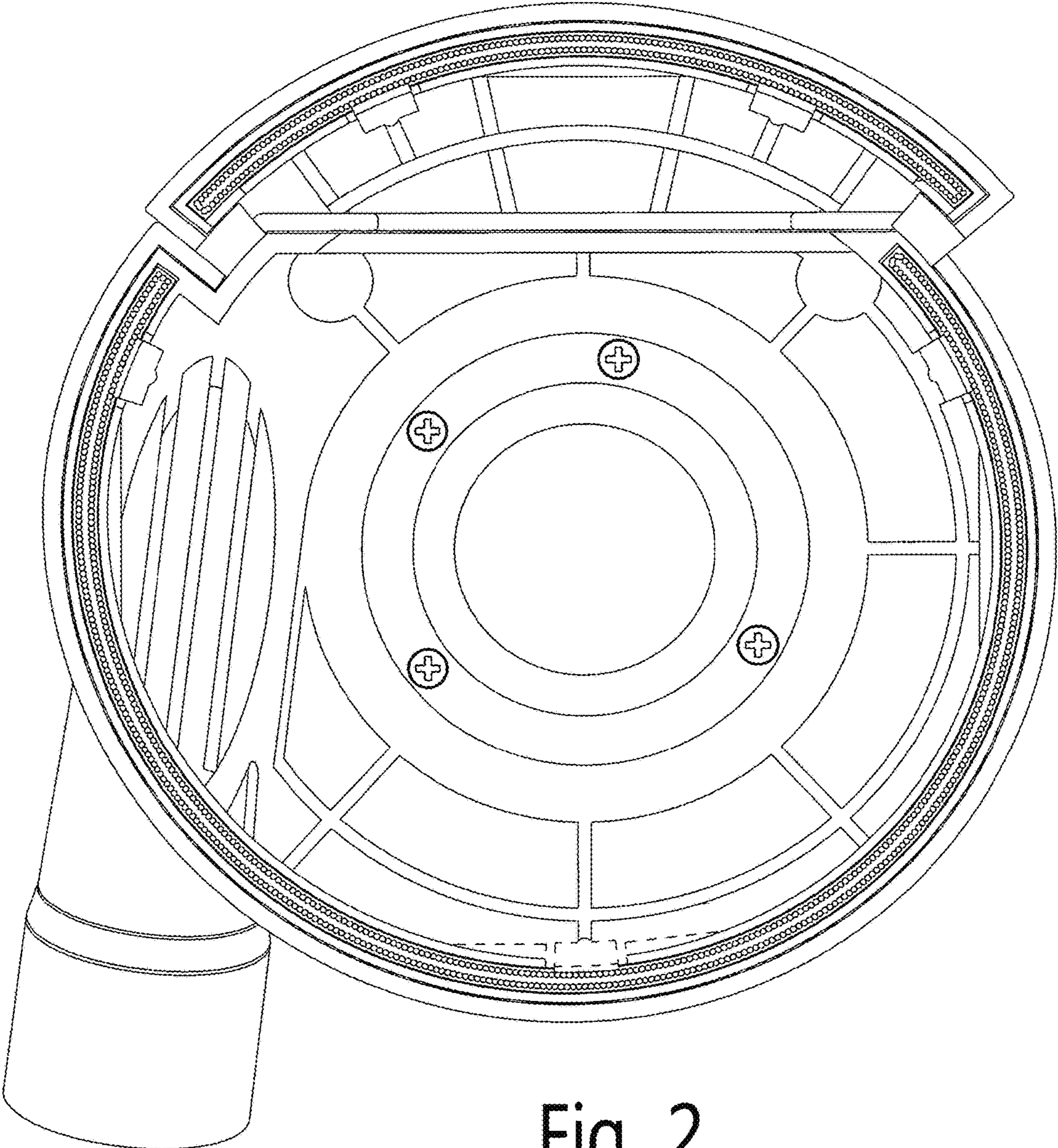


Fig. 2

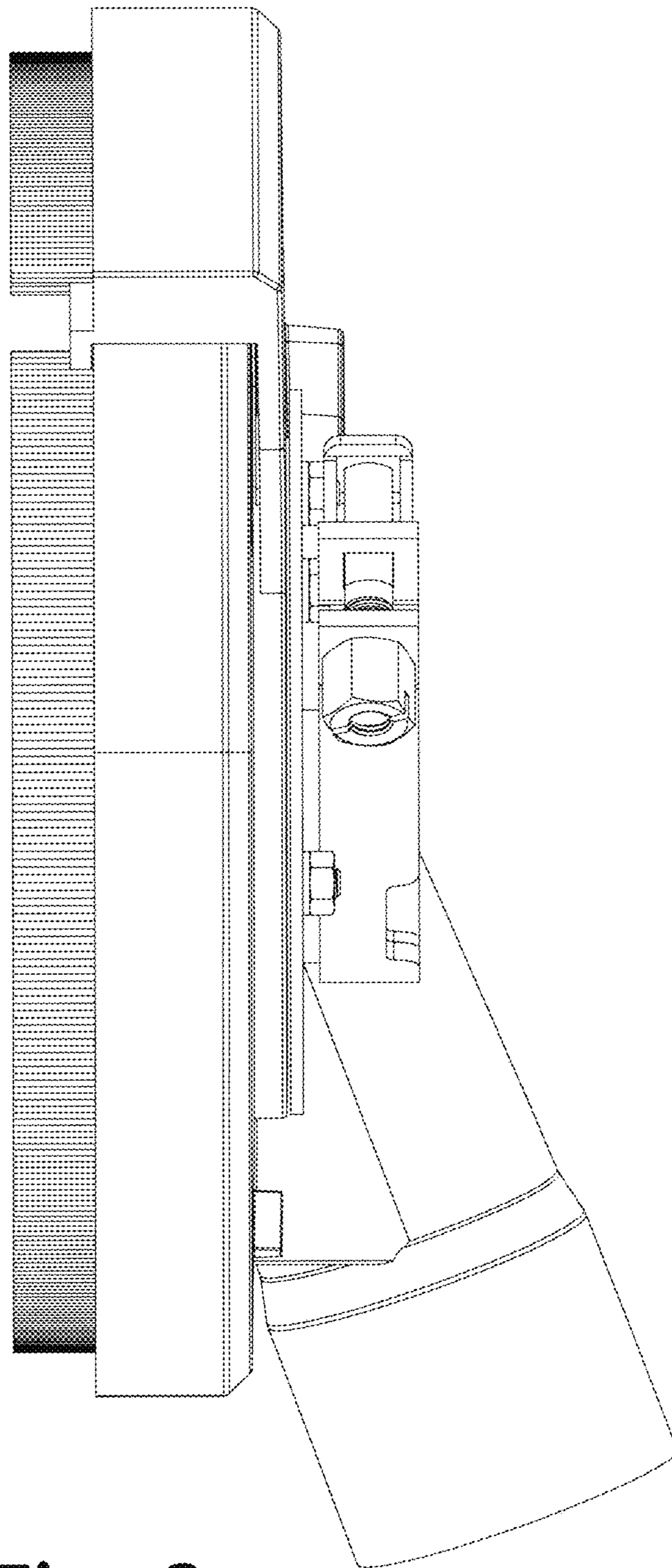


Fig. 3

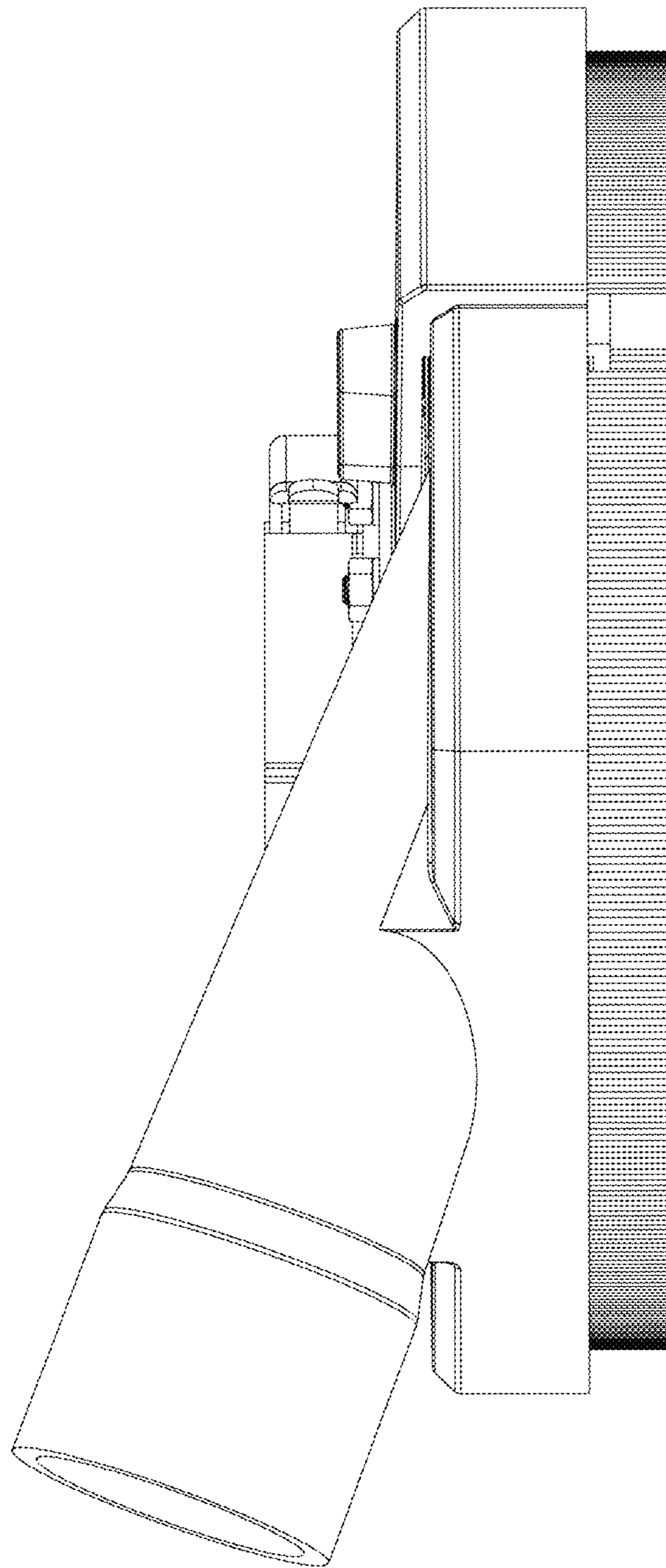


Fig. 4

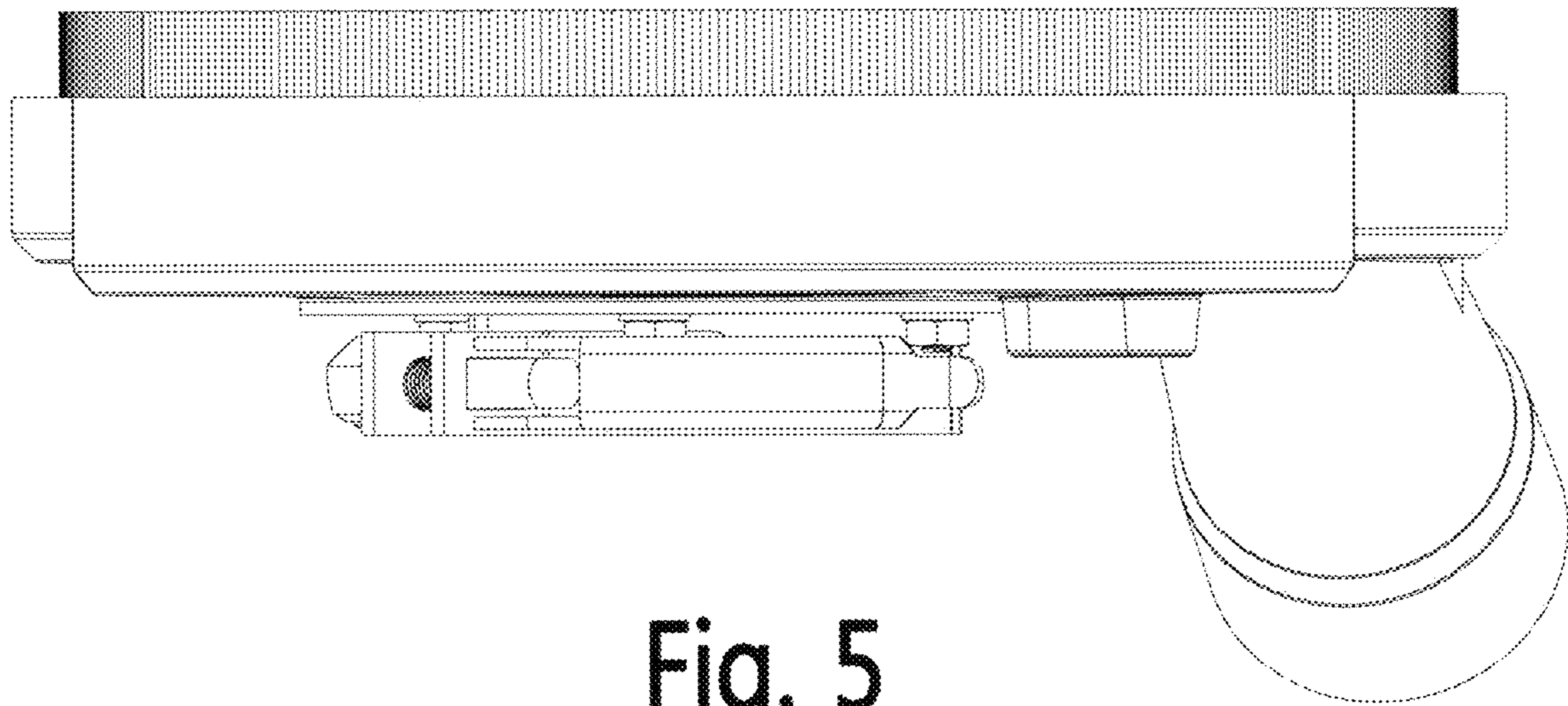


Fig. 5

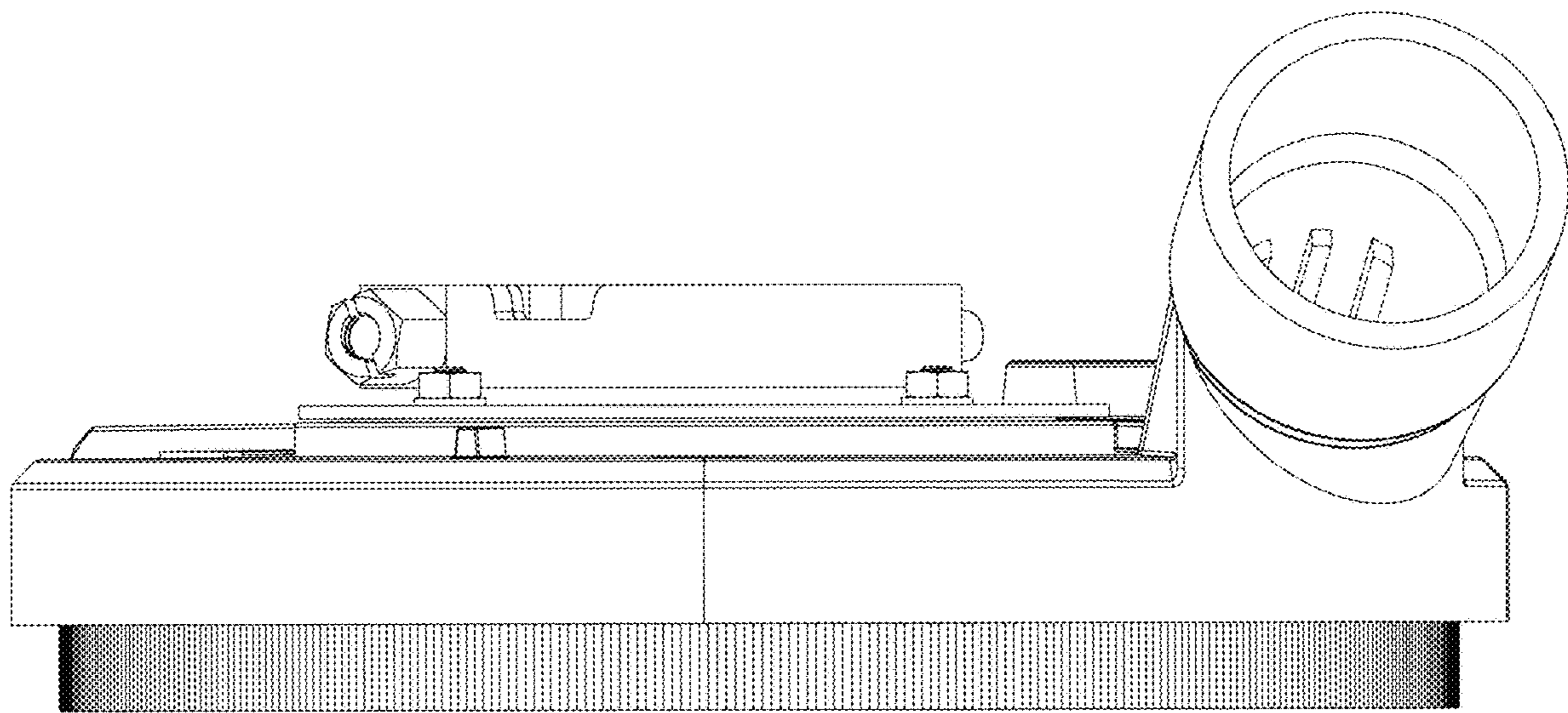


Fig. 6

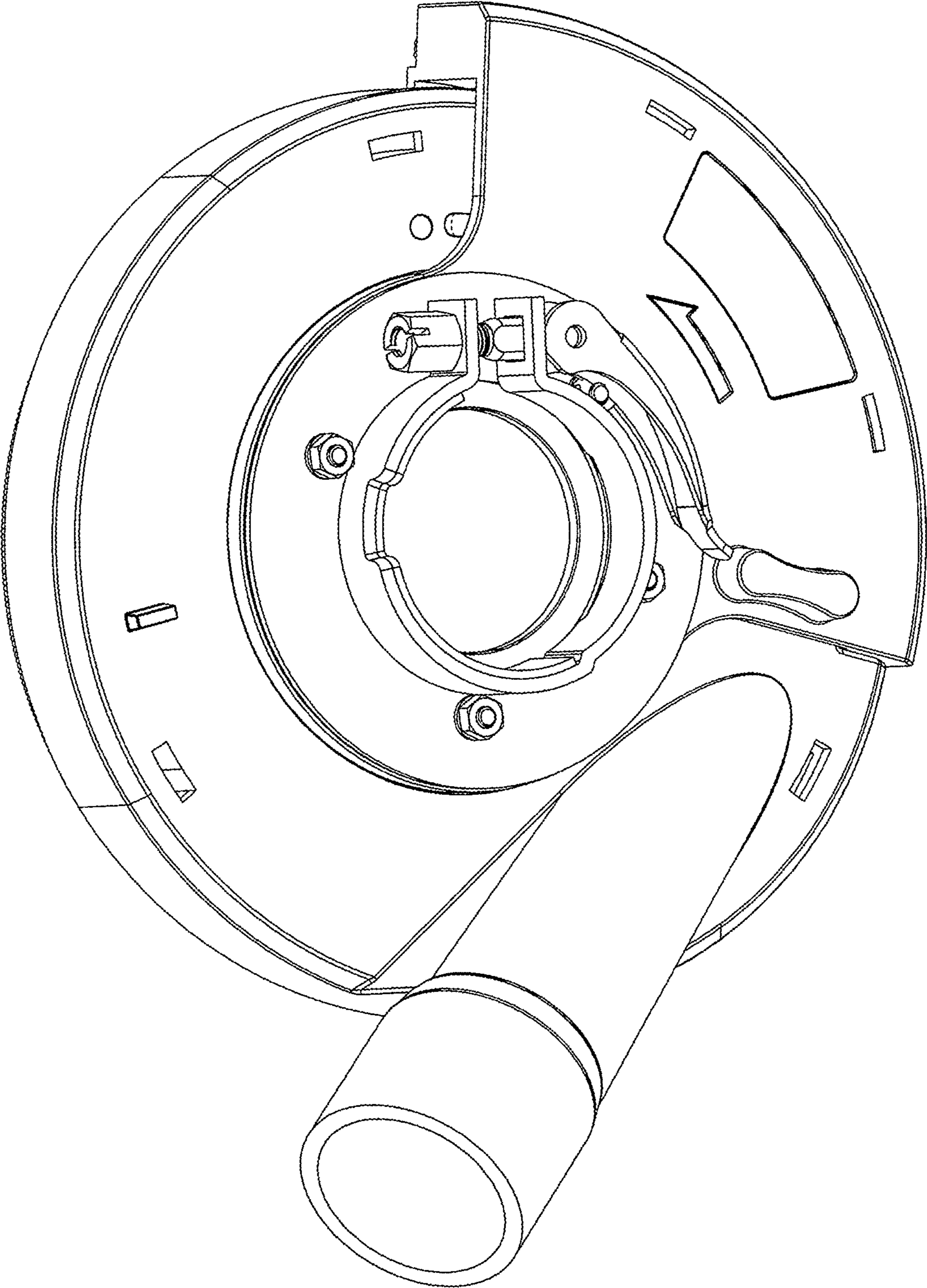


Fig. 7

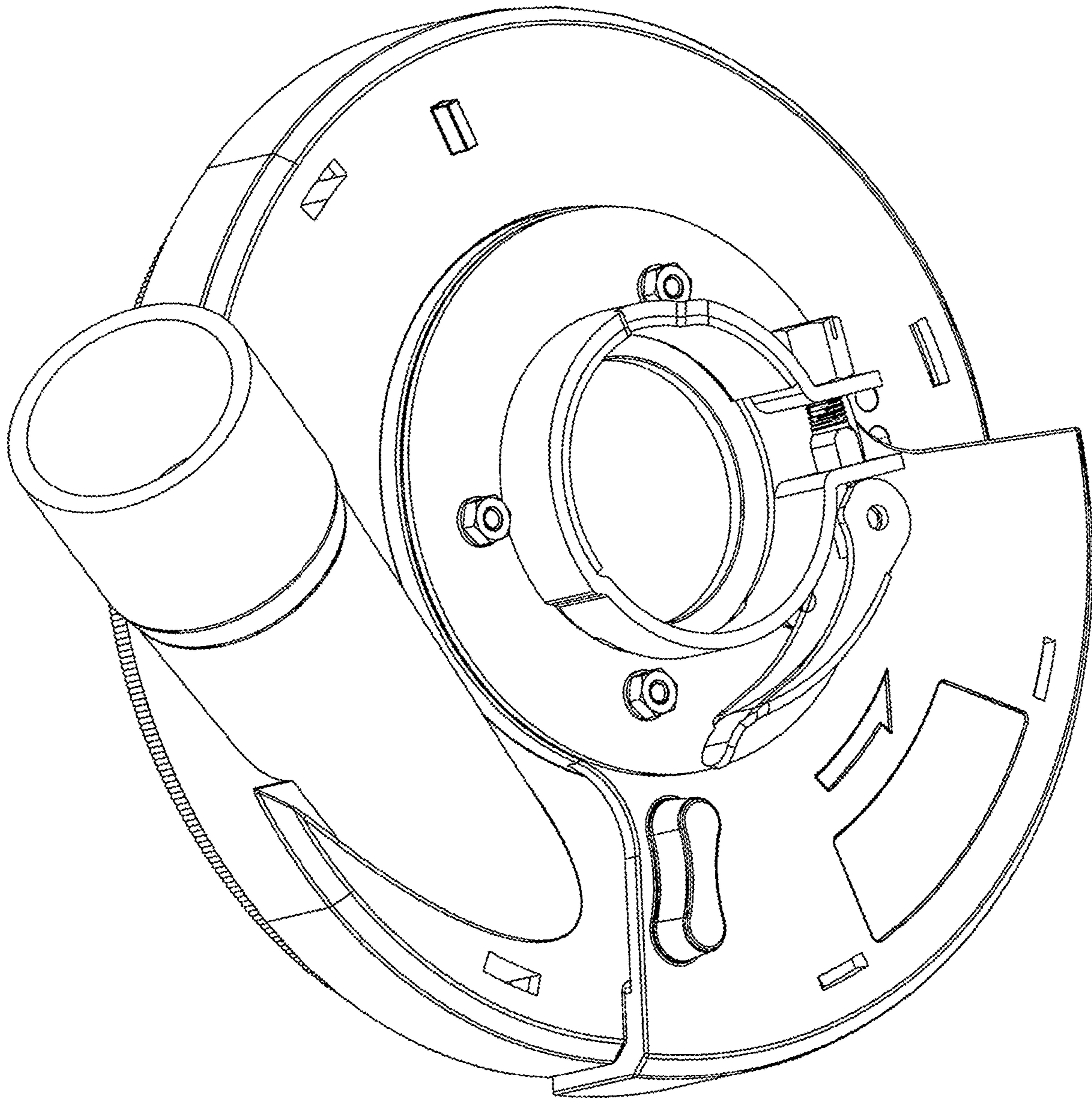


Fig. 8

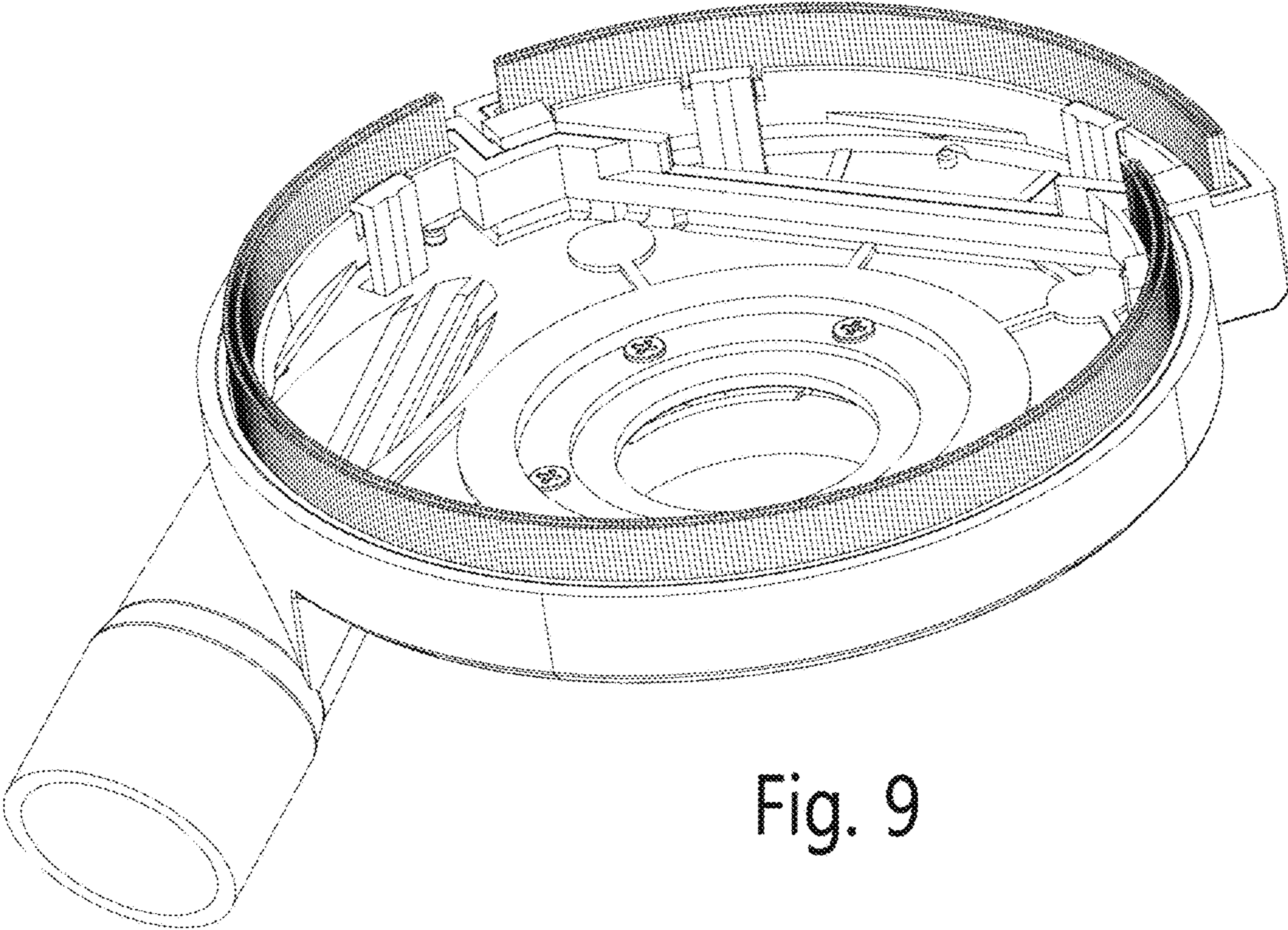


Fig. 9