



US00D911804S

(12) **United States Design Patent**
van Oost et al.

(10) **Patent No.:** **US D911,804 S**
(45) **Date of Patent:** **** Mar. 2, 2021**

(54) **PNEUMATIC POWER TOOL**

(71) Applicant: **Etablissements Georges Renault,**
Saint-Herblain (FR)

(72) Inventors: **Christian van Oost,** La Baule
Escoublac (FR); **Benoit LeFrancois,**
Saint-Herblain (FR)

(73) Assignee: **ETABLISSEMENTS GEORGES**
RENAULT, Saint-Herblain (FR)

(**) Term: **15 Years**

(21) Appl. No.: **29/704,734**

(22) Filed: **Sep. 6, 2019**

(30) **Foreign Application Priority Data**

Mar. 7, 2019 (EM) 006292215-0001

(51) **LOC (13) Cl.** **08-05**

(52) **U.S. Cl.**
USPC **D8/68**

(58) **Field of Classification Search**
USPC D8/61, 67, 68; 81/57, 57.11, 57.14,
81/57.26, 429, 464, 469; 173/2, 170, 176
CPC B62D 23/005; B62D 29/00; B62D 29/043;
B62D 31/00; B62D 33/046; B62D 35/00;
B62D 35/001; B60Q 1/0005
See application file for complete search history.

(56) **References Cited**

U.S. PATENT DOCUMENTS

D774,860 S * 12/2016 Colin D8/68
D858,240 S * 9/2019 Cooper D8/68

D859,115 S * 9/2019 Cooper D8/68
10,603,778 B2 * 3/2020 Michel B25F 5/02
D897,176 S * 9/2020 Tschopp D8/68
D899,208 S * 10/2020 Thompson D8/68
D899,209 S * 10/2020 Thompson D8/68
D899,210 S * 10/2020 Thompson D8/68
D906,076 S * 12/2020 James D8/68
10,875,162 B2 * 12/2020 Lefrancois B25B 21/02

* cited by examiner

Primary Examiner — Austin Murphy

(74) *Attorney, Agent, or Firm* — Hahn Loeser & Parks
LLP

(57) **CLAIM**

The ornamental design for a pneumatic power tool, as shown
and described.

DESCRIPTION

FIG. 1 is a perspective view of an embodiment of a
pneumatic power tool showing the new design;
FIG. 2 is a top view of the embodiment of FIG. 1;
FIG. 3 is a left side view of the embodiment of FIG. 1;
FIG. 4 is a front view of the embodiment of FIG. 1;
FIG. 5 is a rear view of the embodiment of FIG. 1;
FIG. 6 is a right side view of the embodiment of FIG. 1; and,
FIG. 7 is a bottom view of the embodiment of FIG. 1.

The dash-dot broken lines in the drawings show environ-
mental structure that form no part of the claimed design. All
other broken lines (dash-dash) depict portions of the pneu-
matic power tool that form no part of the claimed design.

1 Claim, 4 Drawing Sheets

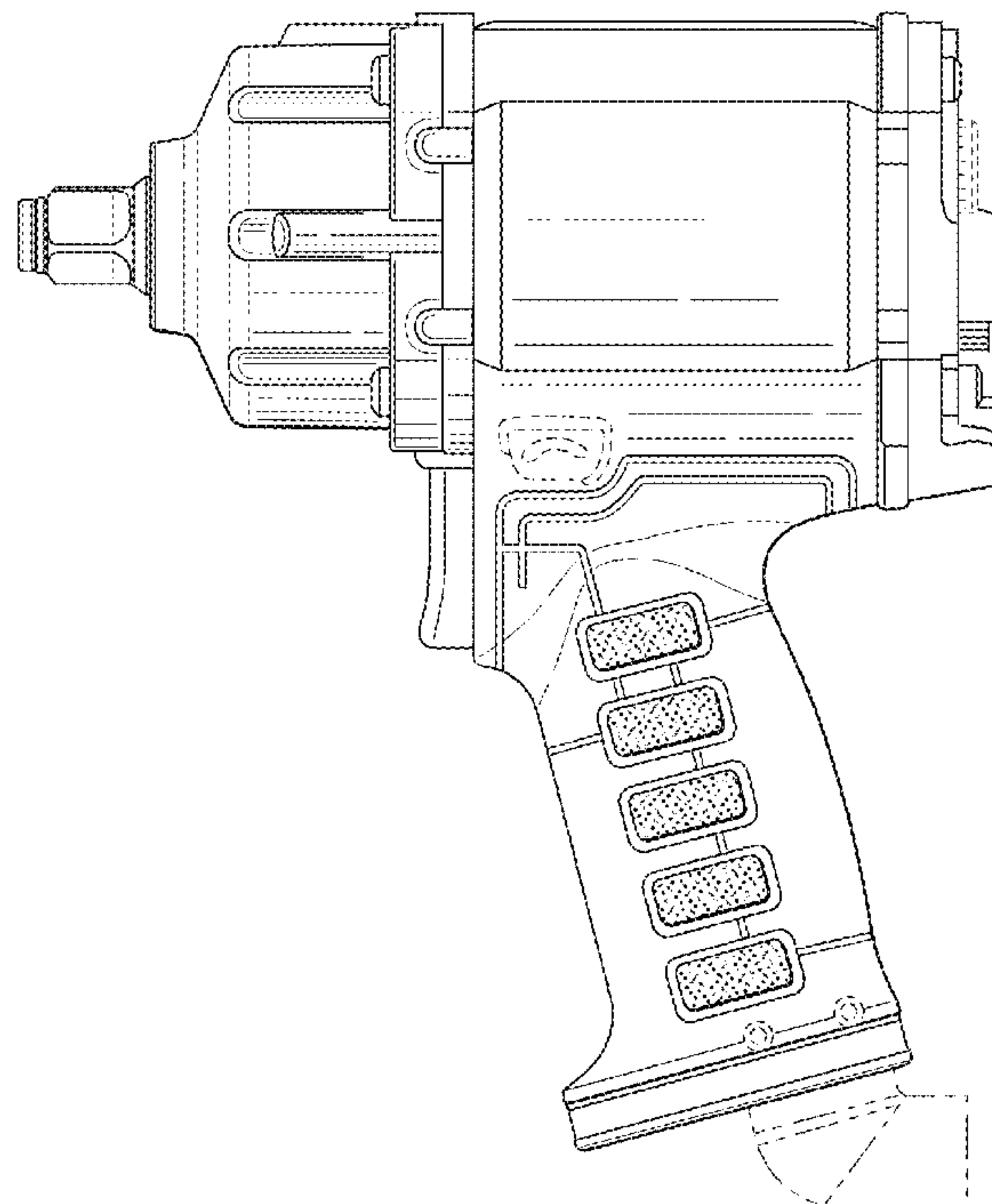


FIG. 1

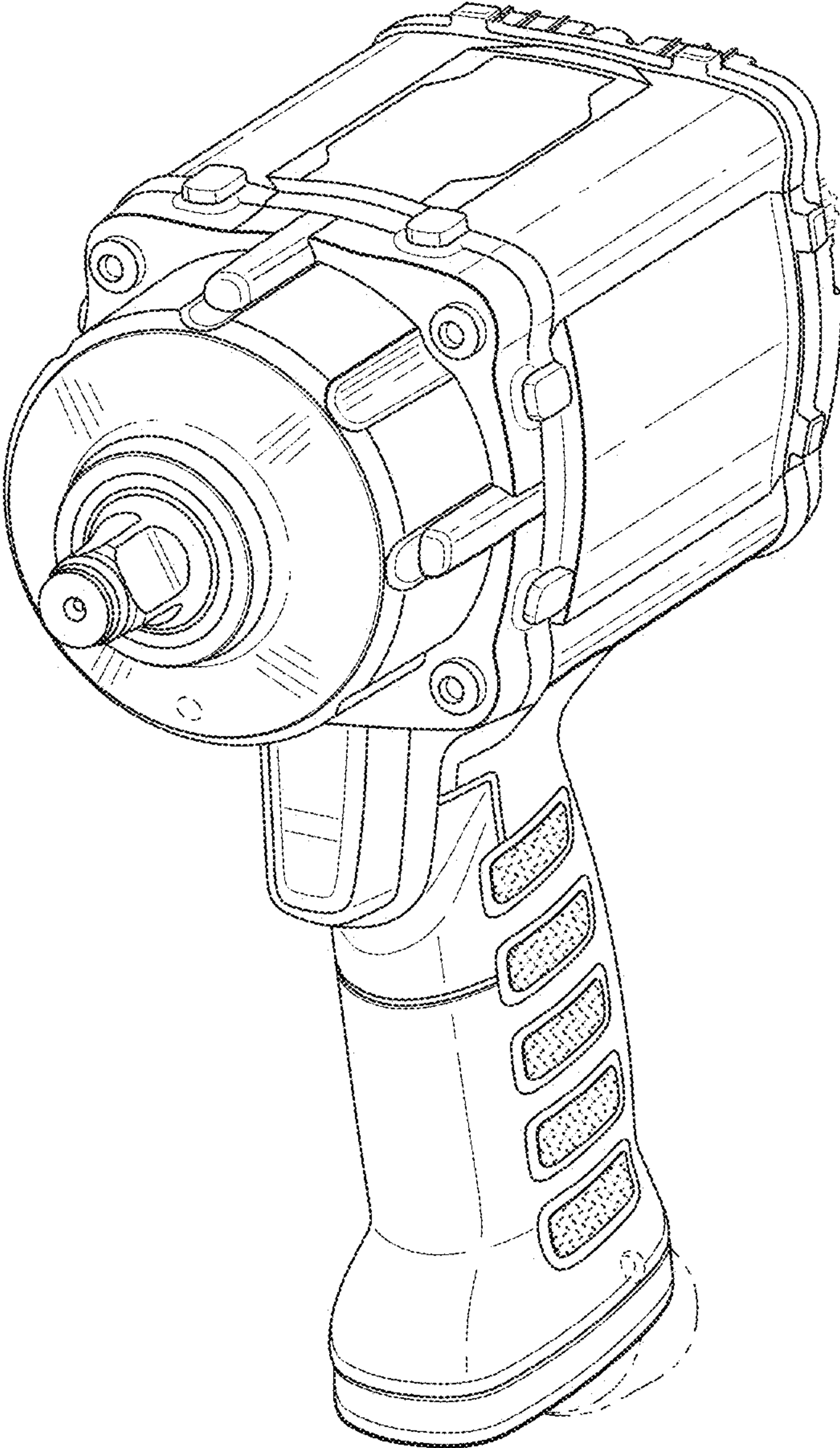


FIG. 2

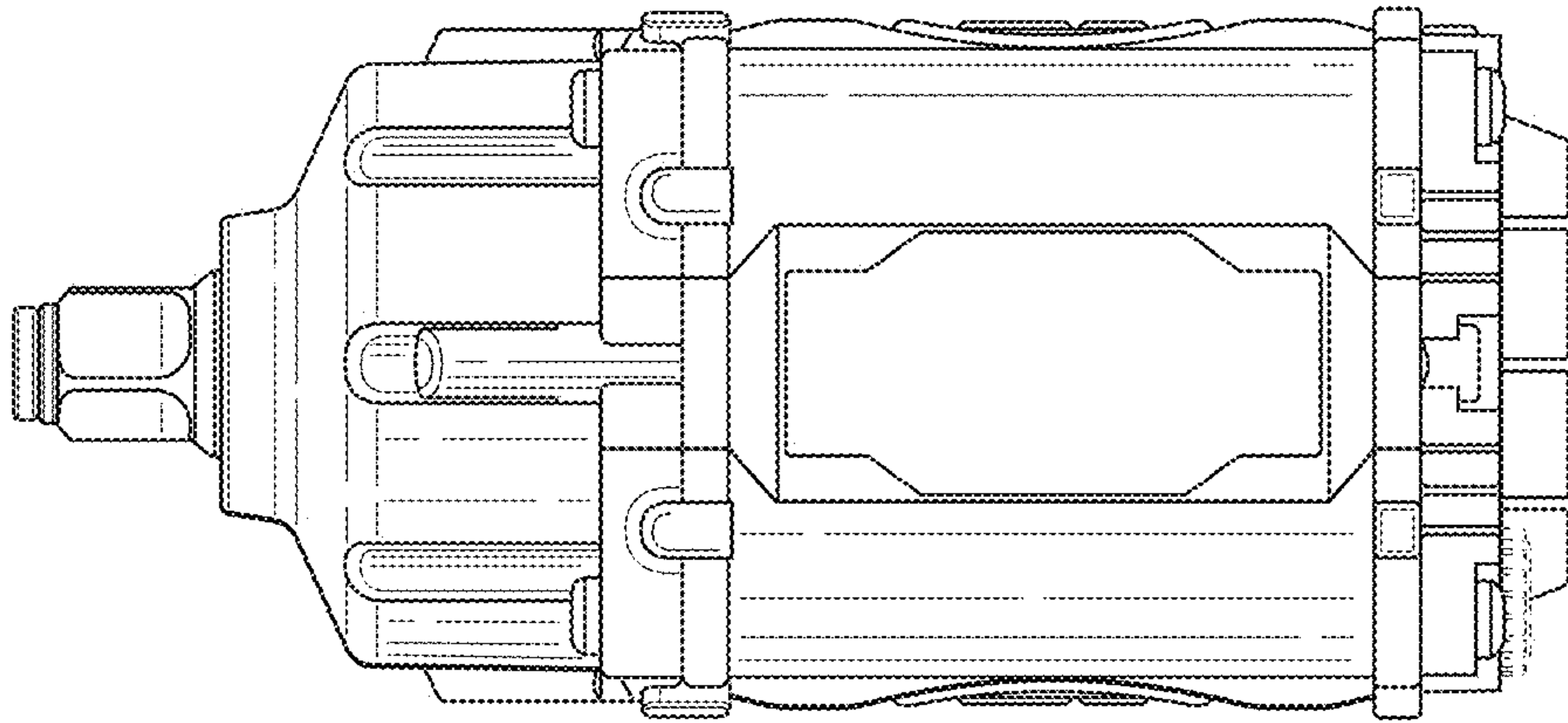


FIG. 3

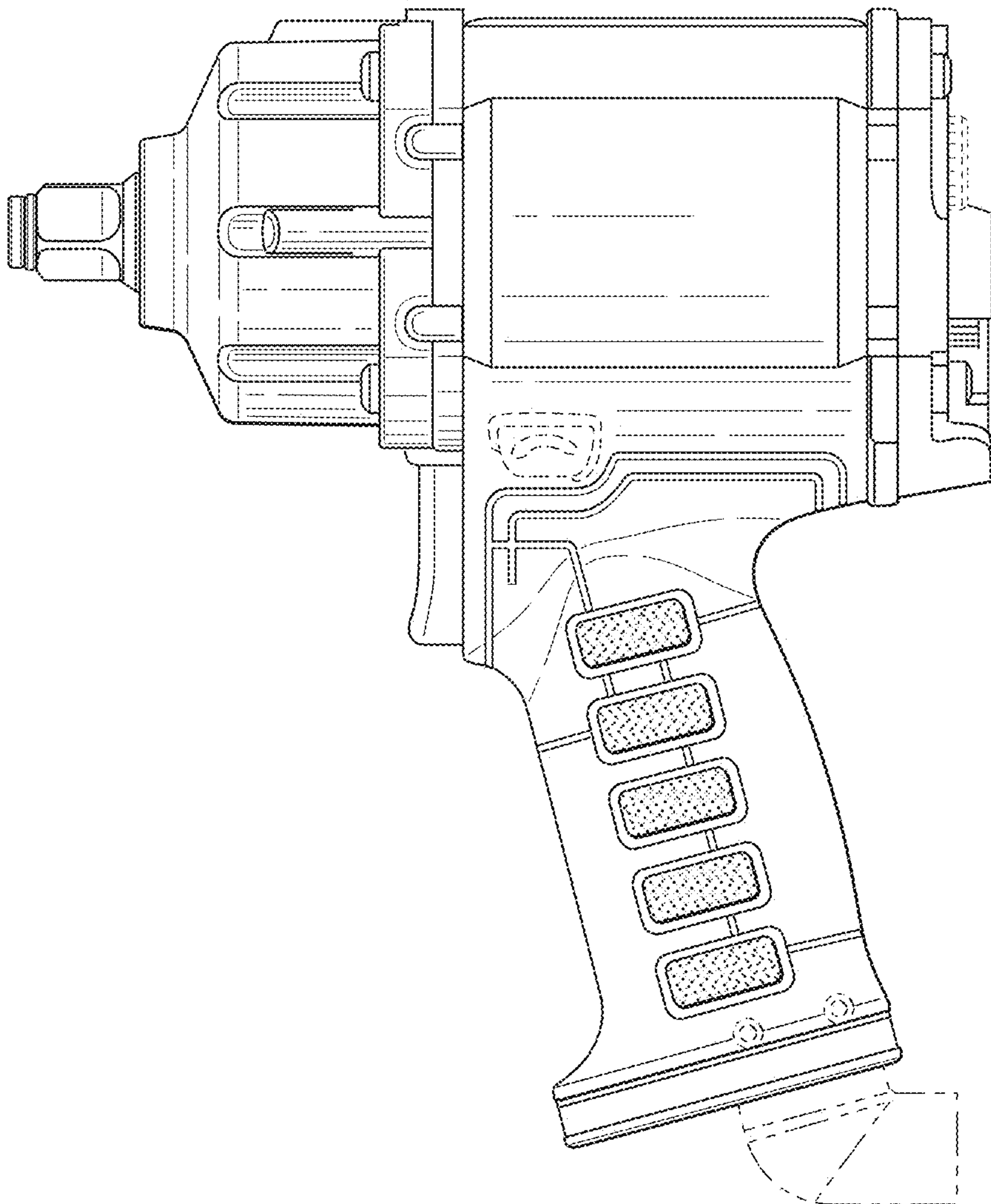


FIG. 4

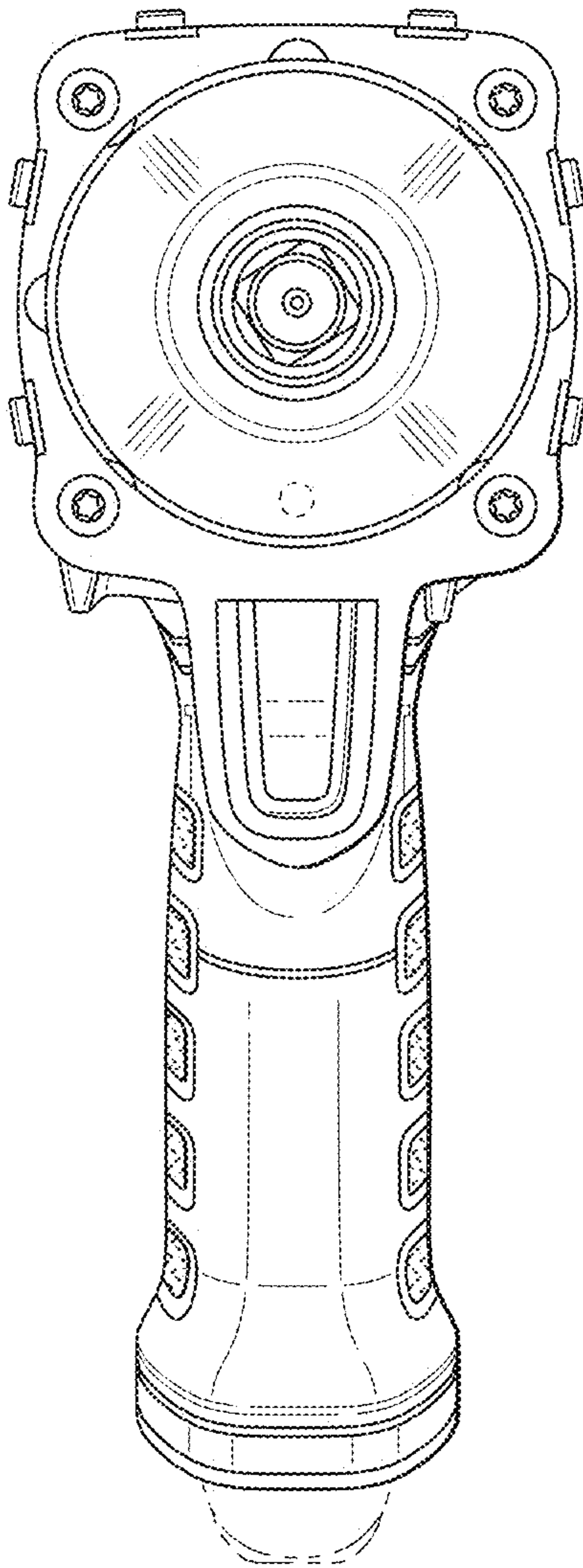


FIG. 5

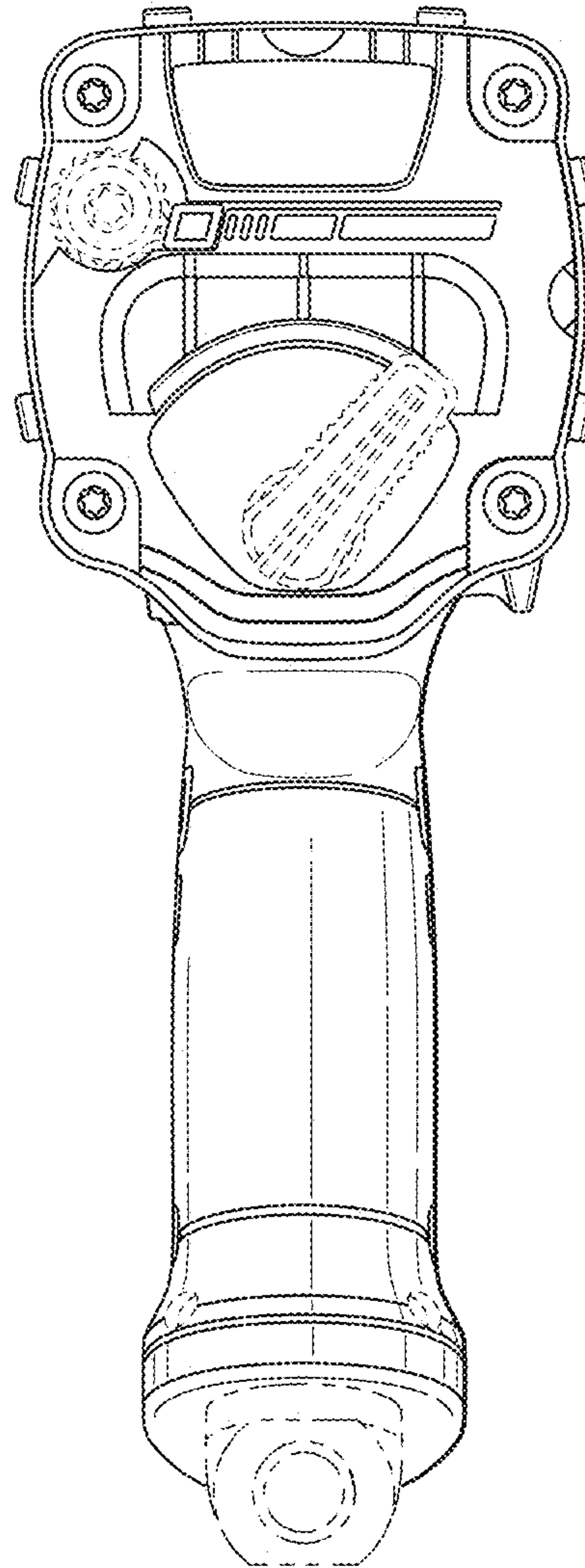


FIG. 6

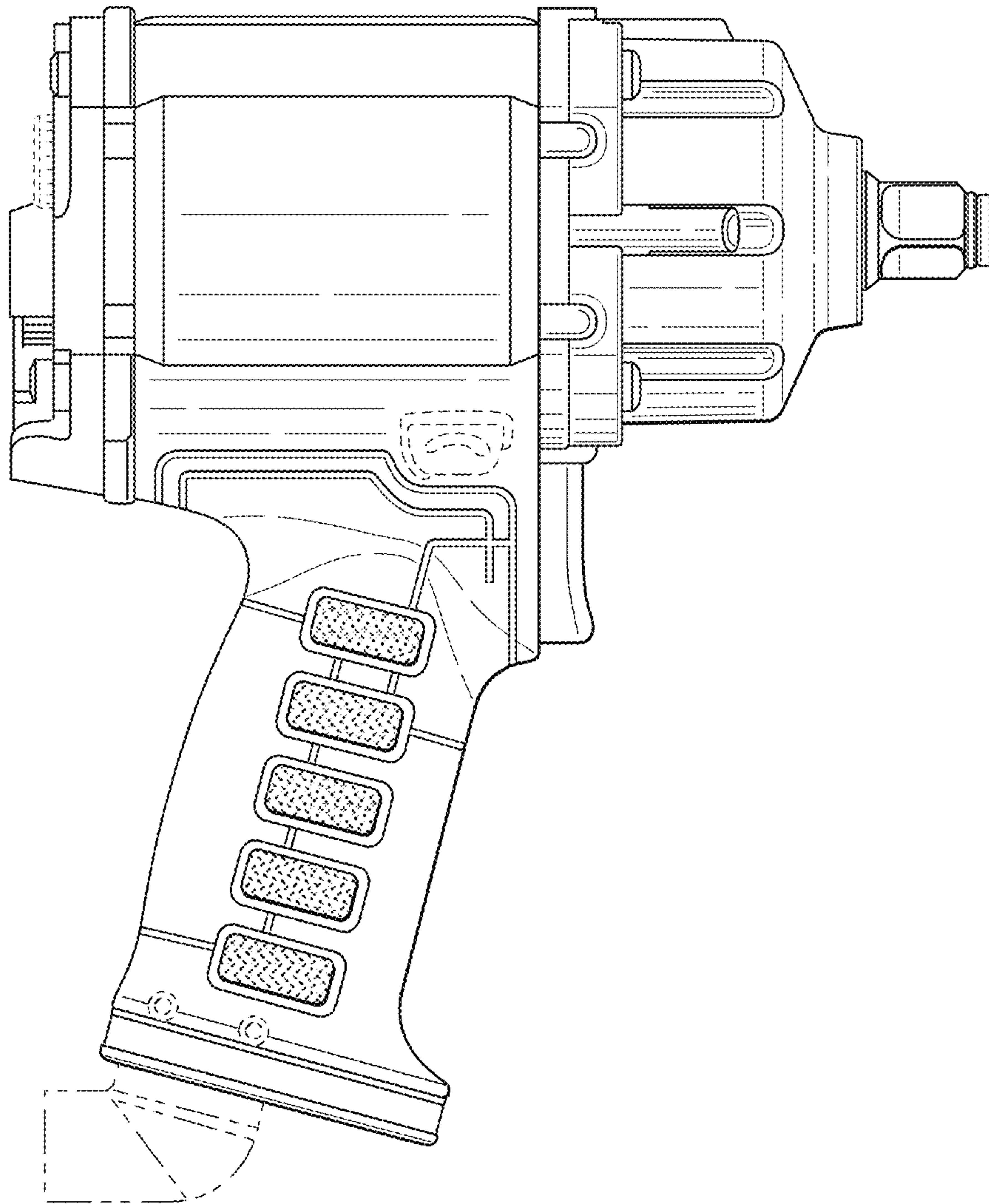


FIG. 7

