



US00D911803S

(12) **United States Design Patent**
Kirkpatrick et al.

(10) **Patent No.:** **US D911,803 S**
(45) **Date of Patent:** **** Mar. 2, 2021**

- (54) **CORDLESS ROOFING NAILER**
- (71) Applicant: **Black & Decker, Inc.**, New Britain, CT (US)
- (72) Inventors: **Jonathan Kirkpatrick**, Baldwin, MD (US); **Micah Harrison**, Baldwin, MD (US)
- (73) Assignee: **Black & Decker, Inc.**, New Britain, CT (US)

- D387,259 S * 12/1997 Braddock D8/69
 - 5,697,541 A * 12/1997 Burke B25C 1/003
227/109
 - D392,170 S * 3/1998 Hattori D8/61
 - 5,862,970 A * 1/1999 Cougar B25C 7/00
150/161
 - 6,152,346 A * 11/2000 Laubach B25C 1/003
227/109
 - 6,672,497 B2 * 1/2004 Lin B25C 1/003
227/120
 - D491,035 S * 6/2004 Buck D8/68
 - D501,383 S * 2/2005 Fang D8/68
- (Continued)

(**) Term: **15 Years**

- (21) Appl. No.: **29/694,590**
- (22) Filed: **Jun. 12, 2019**
- (51) **LOC (13) Cl.** **08-05**
- (52) **U.S. Cl.**
USPC **D8/68**
- (58) **Field of Classification Search**
USPC D8/61-70
CPC .. B25C 1/001; B25C 1/04; B25C 1/06; B25C
1/041; B25C 1/047
See application file for complete search history.

(56) **References Cited**

U.S. PATENT DOCUMENTS

- 3,568,908 A * 3/1971 Bader B25C 1/003
227/127
- 4,518,109 A * 5/1985 Shiroyama B25C 1/003
227/109
- D307,234 S * 4/1990 Fushiya D8/61
- 5,110,030 A * 5/1992 Tanji B25C 1/047
227/130
- D337,252 S * 7/1993 Tsuru D8/69
- D338,819 S * 8/1993 Ohkochi D8/69
- 5,267,682 A * 12/1993 Okouchi E04D 15/02
227/120
- D379,912 S * 6/1997 Burke D8/61
- 5,634,582 A * 6/1997 Morrison, Jr. B25C 1/003
227/109

OTHER PUBLICATIONS

BCR Staff. "Top Ten Best Cordless Roofing Nailers." Best Choice Reviews., Mar. 2019 [online], [retrieved on Oct. 12, 2020]. Retrieved from the Internet <URL: <https://www.bestchoicereviews.org/tools/cordless/nailers/roofing/>>.*

(Continued)

Primary Examiner — Darlington Ly

(74) *Attorney, Agent, or Firm* — Rhonda Barton

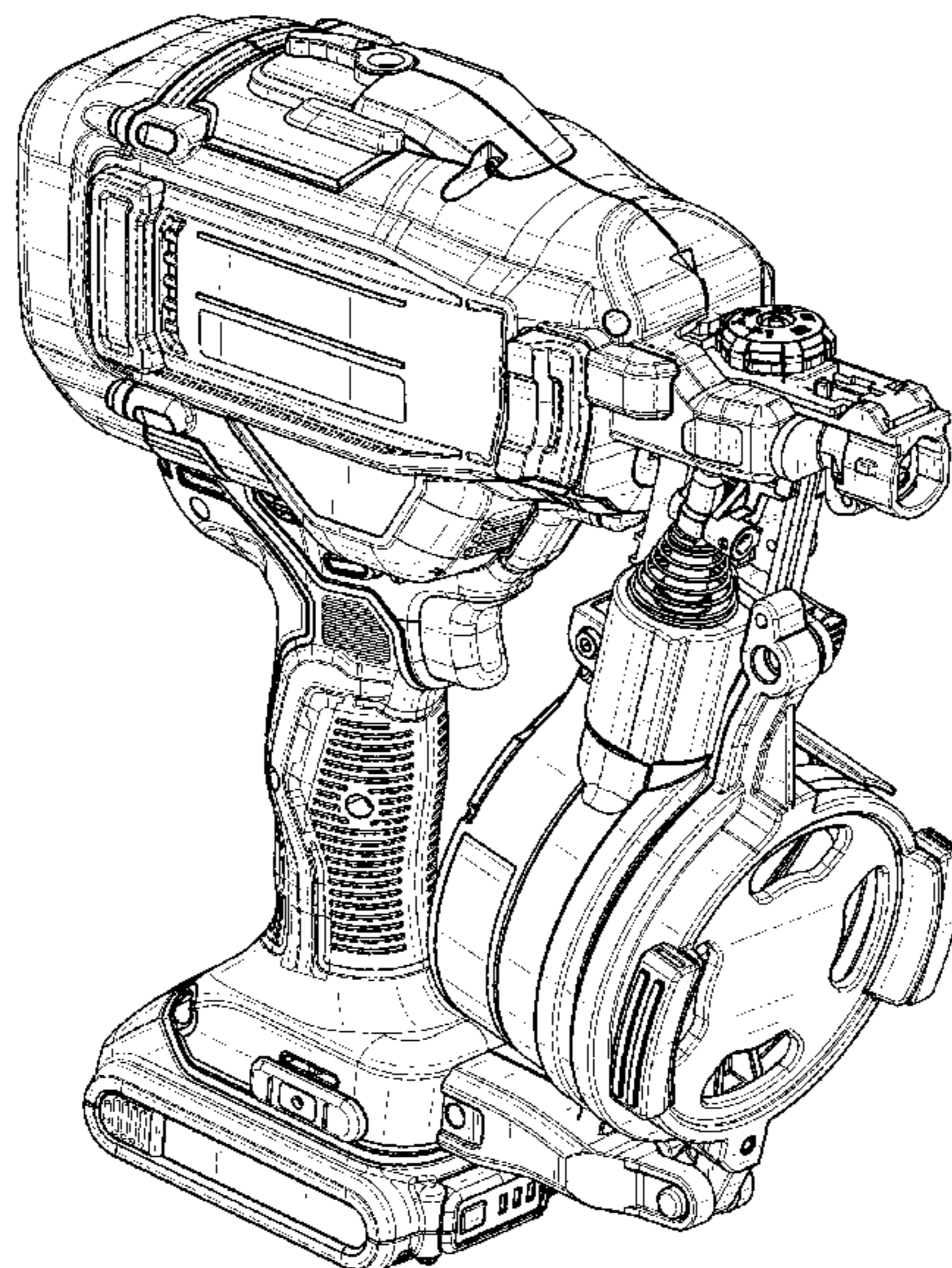
(57) **CLAIM**

The ornamental design for a cordless roofing nailer, as shown and described.

DESCRIPTION

FIG. 1 is a top and right-side perspective view of a cordless roofing nailer showing our new design; FIG. 2 is a top and left-side perspective view of the design of FIG. 1; FIG. 3 is a right-side elevation view thereof; FIG. 4 is a left-side elevation view thereof; FIG. 5 is a front elevation view thereof; FIG. 6 is a rear elevation view thereof; FIG. 7 is a top plan view thereof; and, FIG. 8 is a bottom plan view thereof.

1 Claim, 8 Drawing Sheets



(56)

References Cited

U.S. PATENT DOCUMENTS

D509,418	S *	9/2005	Leasure	D8/68
6,948,647	B1 *	9/2005	Niblett	B25F 5/006
					227/130
D520,321	S *	5/2006	Hattori	D8/69
D549,538	S *	8/2007	Lee	D8/69
D575,607	S *	8/2008	Buck	D8/69
D591,576	S *	5/2009	Buck	D8/68
9,577,493	B2 *	2/2017	Ekstrom	B25F 5/008
D817,734	S *	5/2018	Concari	D8/68
D852,013	S *	6/2019	Kirkpatrick	D8/68
D852,015	S *	6/2019	Kirkpatrick	D8/68
2005/0263560	A1 *	12/2005	Niblett	B25C 1/003
					227/135
2006/0081677	A1 *	4/2006	Yasuike	B25C 1/008
					227/8
2006/0208027	A1 *	9/2006	Hagan	B25C 1/003
					227/128
2006/0261128	A1 *	11/2006	Wen	B25C 1/003
					227/137

OTHER PUBLICATIONS

“Best Roofing Nailer 2019—Roofing Nailer Reviews.” Woodworking Tool Guide., Jun. 28, 2017 [online], [retrieved on Oct. 12, 2020]. Retrieved from the Internet <URL: <https://woodworking-tool-guide.com/best-roofing-nailer-reviews/>>.*

* cited by examiner

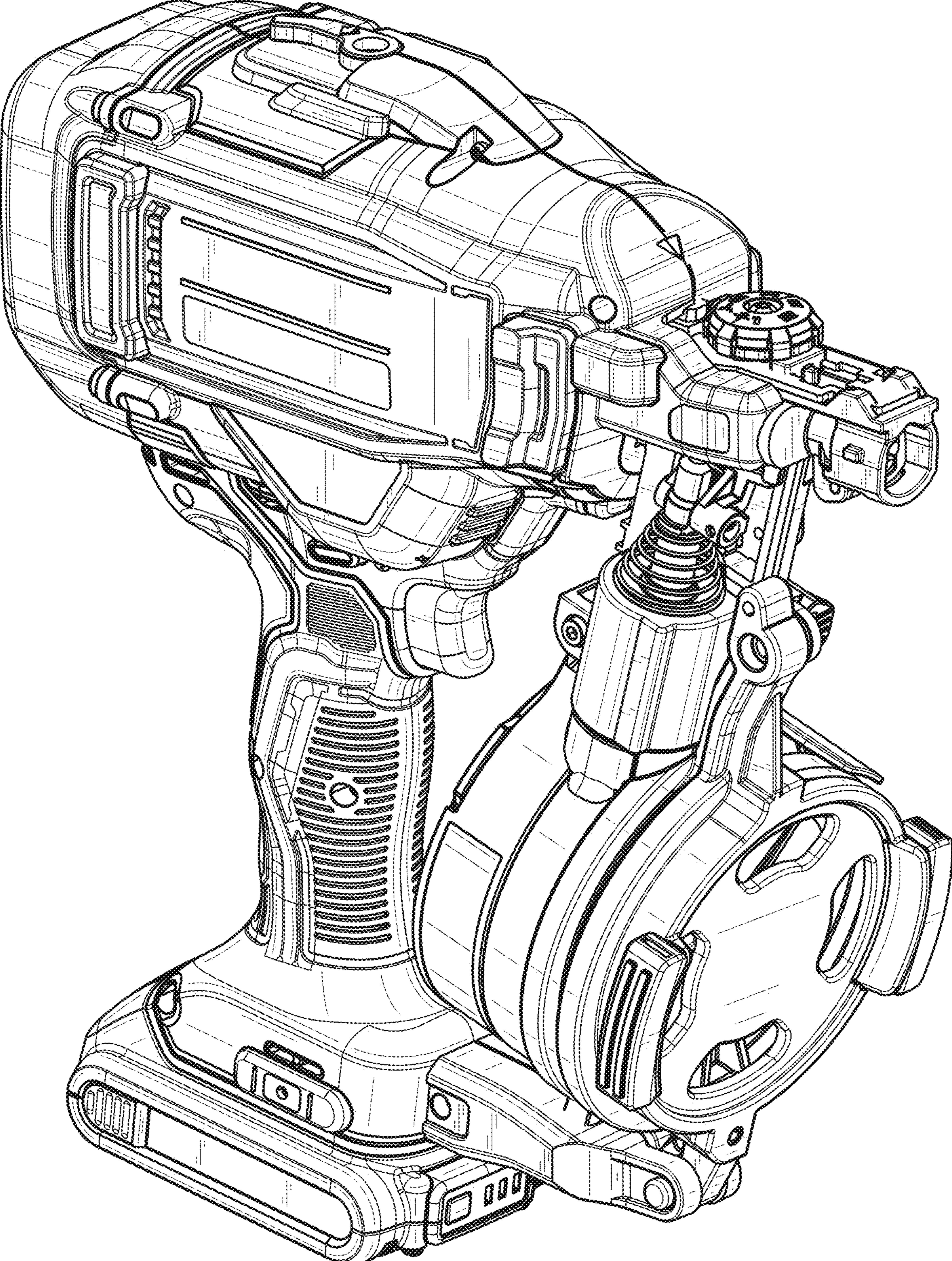


FIG. 1

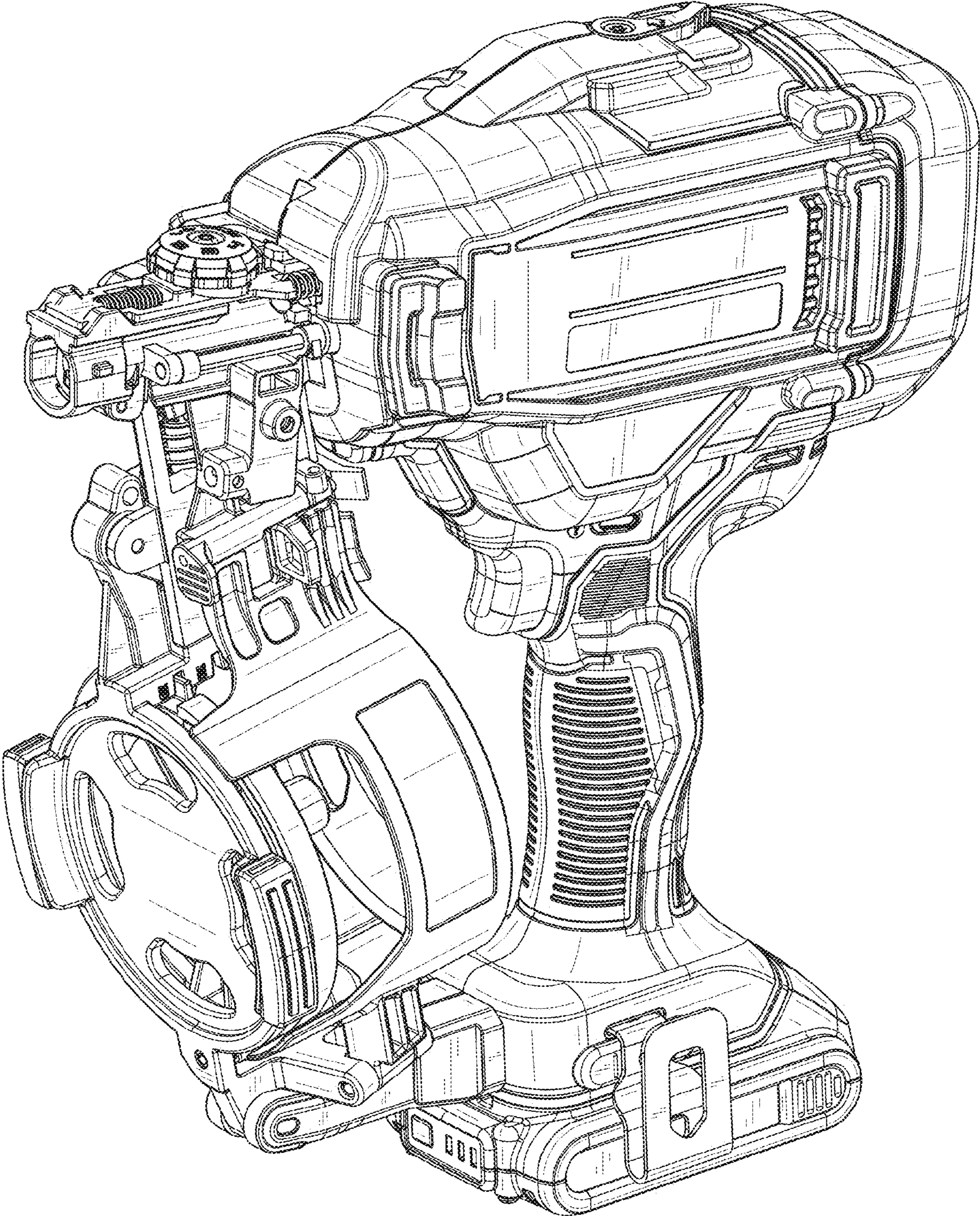


FIG. 2

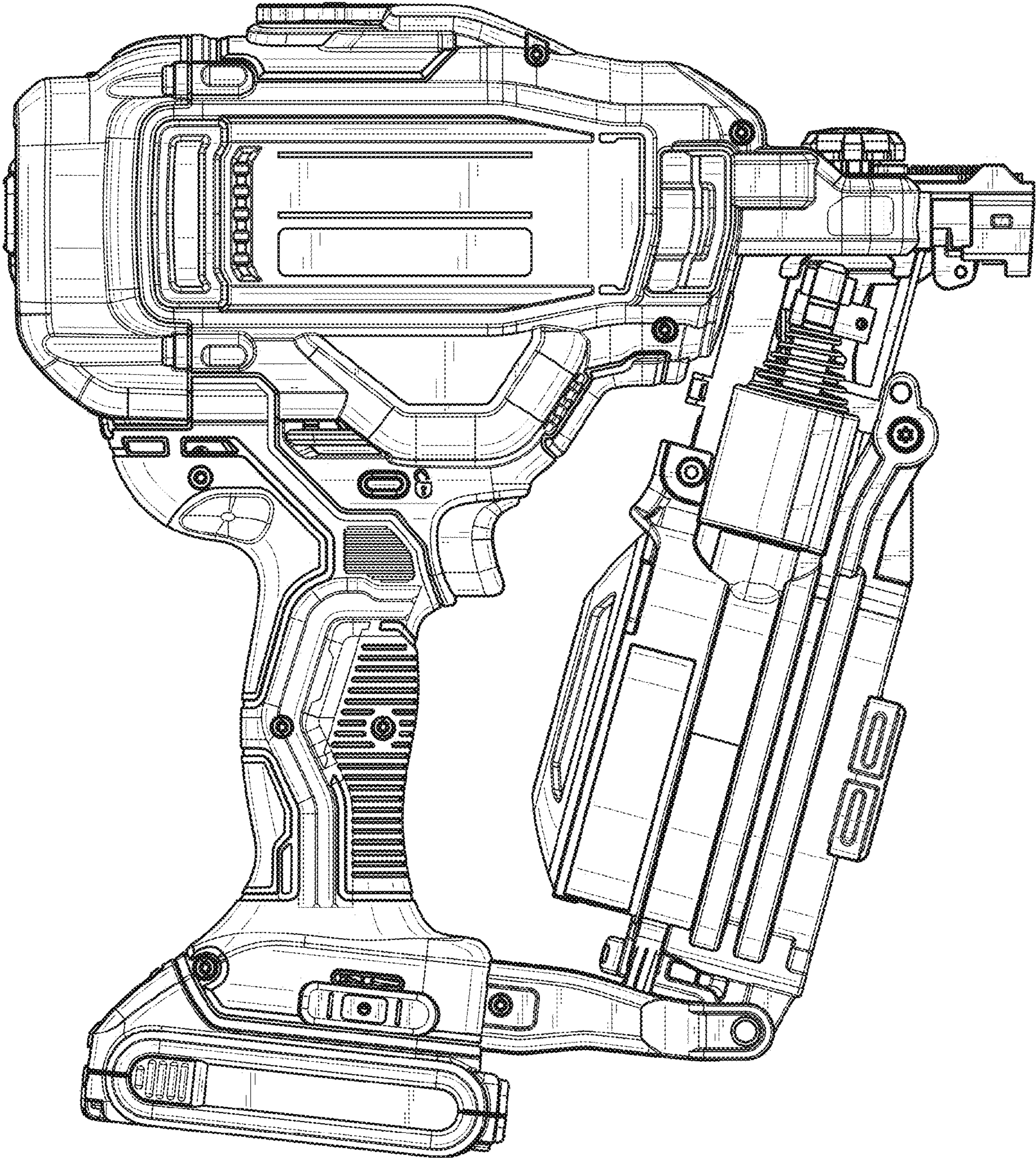


FIG. 3

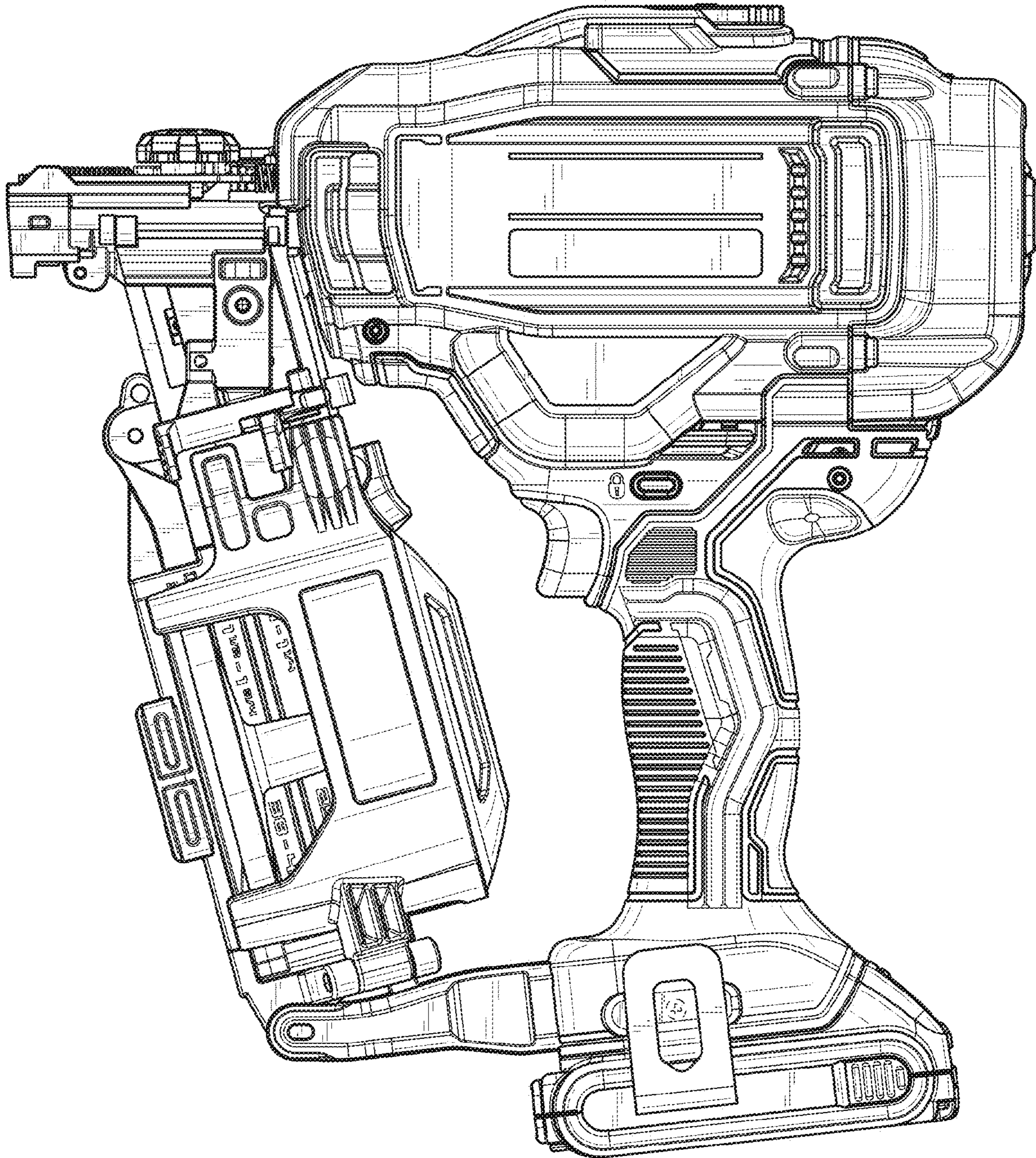


FIG. 4

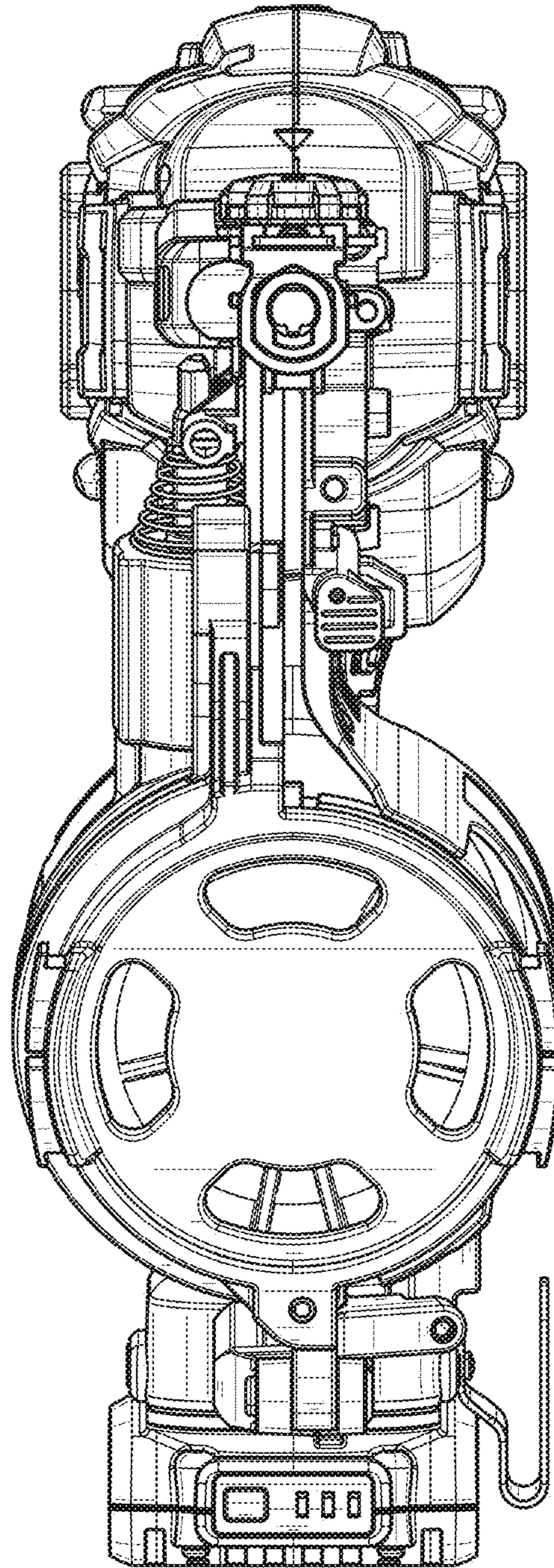


FIG. 5

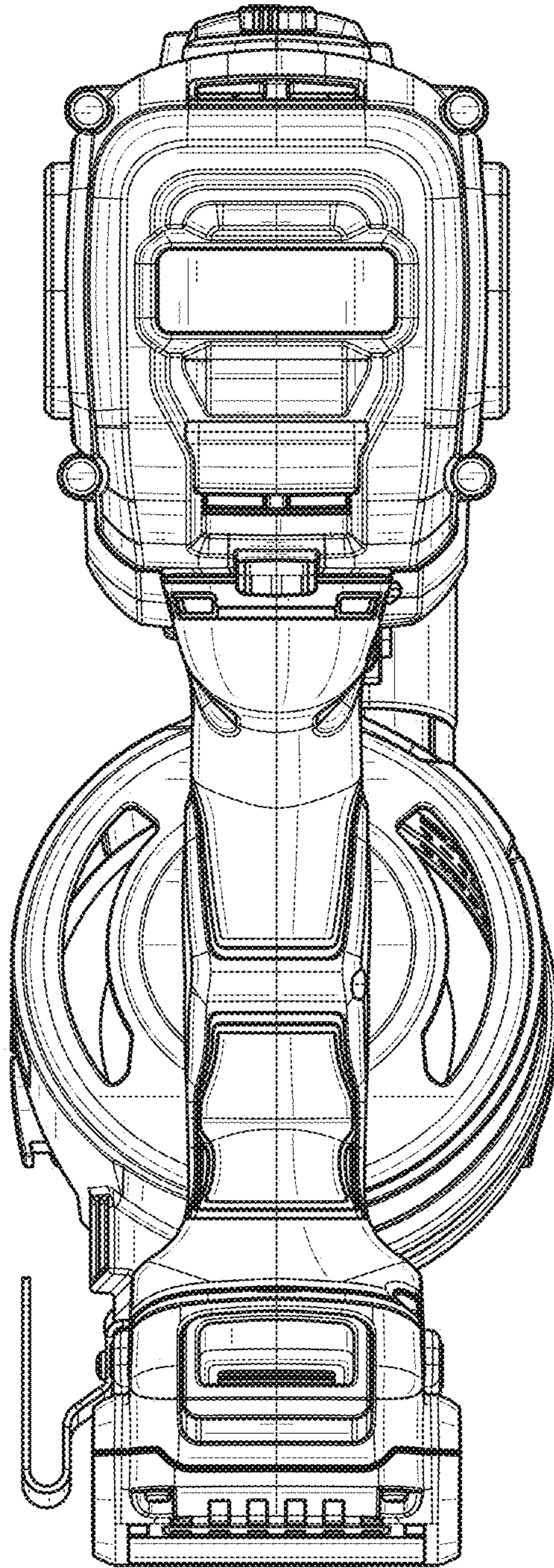


FIG. 6

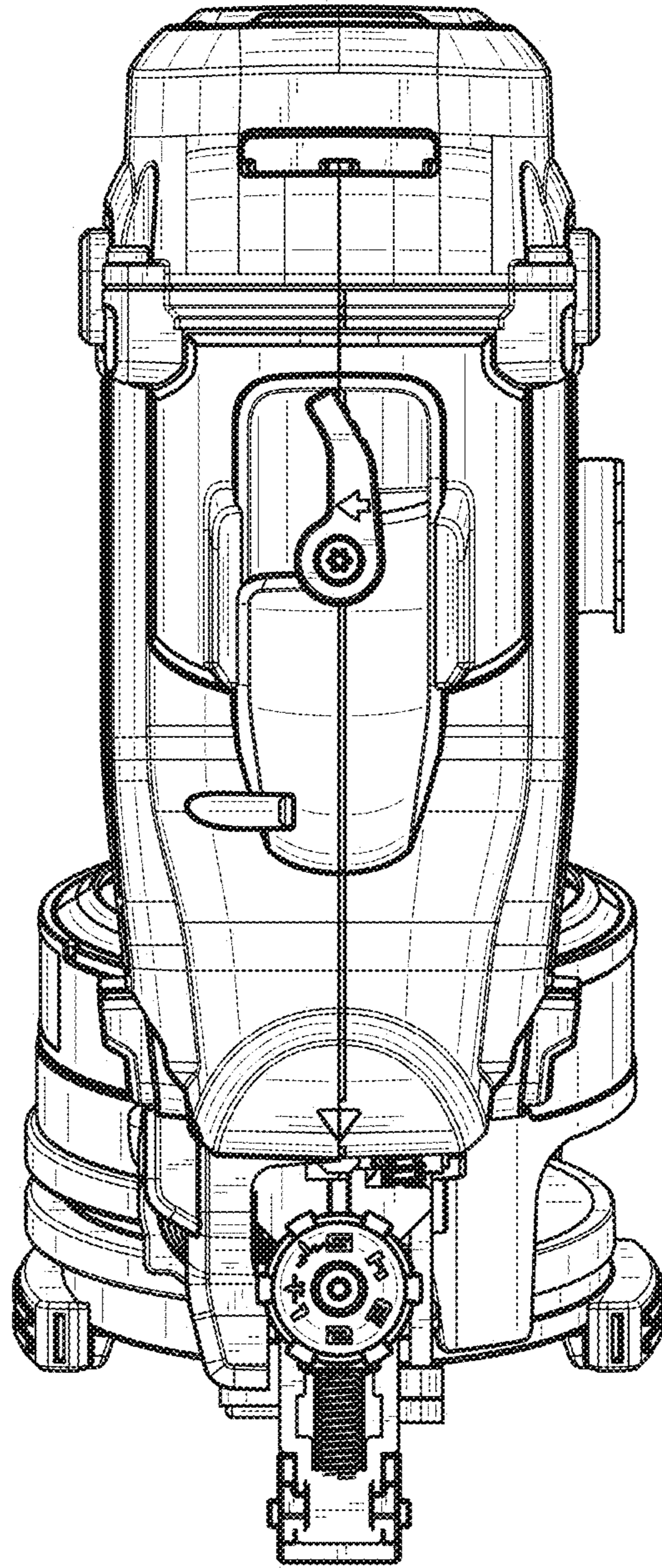


FIG. 7

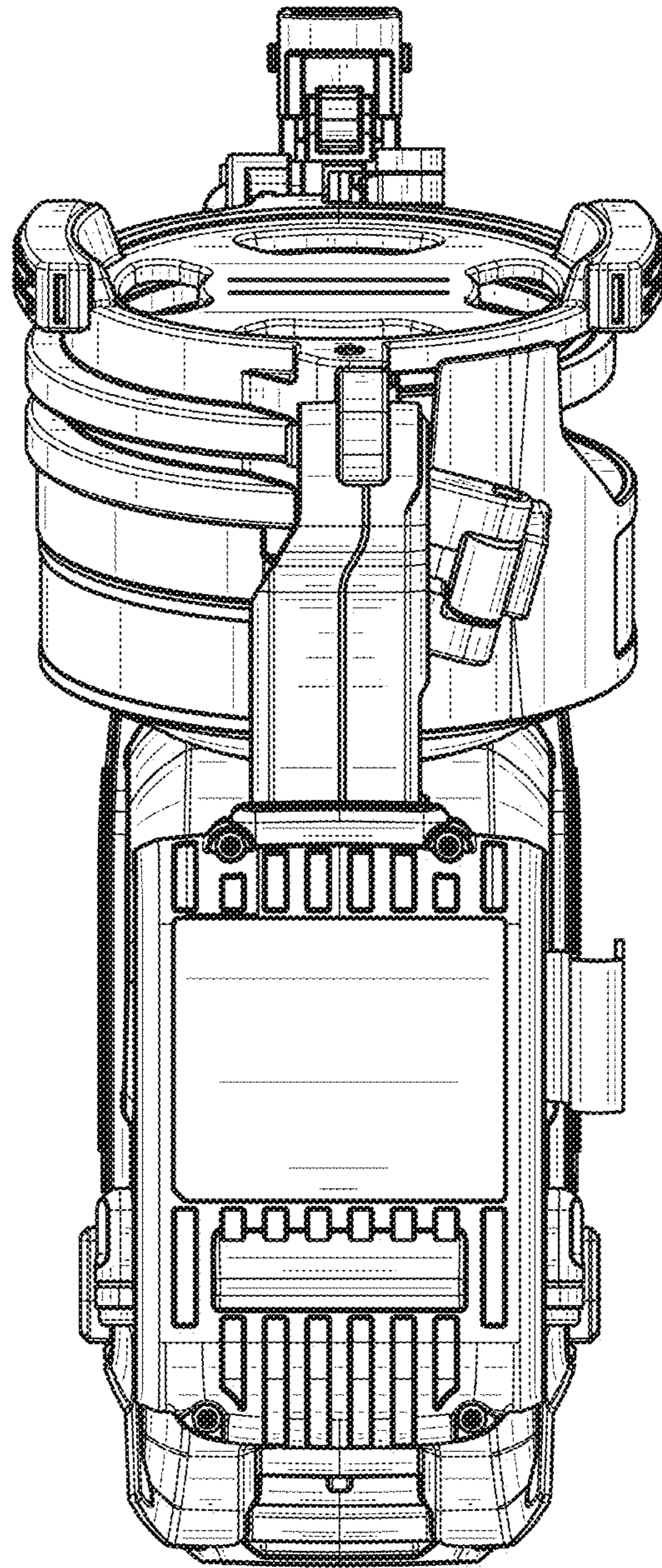


FIG. 8