



US00D911801S

(12) **United States Design Patent**
Thompson et al.

(10) **Patent No.:** **US D911,801 S**
(45) **Date of Patent:** **** Mar. 2, 2021**

- (54) **IMPACT WRENCH**
- (71) Applicant: **BLACK & DECKER INC.**, New Britain, CT (US)
- (72) Inventors: **Samuel P. Thompson**, Newcastle Upon Tyne (GB); **Chao Lien Liu**, Taichung (TW)
- (73) Assignee: **BLACK & DECKER INC.**, New Britain, CT (US)
- (**) Term: **15 Years**
- (21) Appl. No.: **29/678,679**
- (22) Filed: **Jan. 30, 2019**
- (51) **LOC (13) Cl.** **08-05**
- (52) **U.S. Cl.**
USPC **D8/68**
- (58) **Field of Classification Search**
USPC D8/61, 67, 68
CPC B62D 23/005; B62D 29/00; B62D 29/043;
B62D 31/00; B62D 33/046; B62D 35/00;
B62D 35/001; B60Q 1/0005
See application file for complete search history.

D606,376 S *	12/2009	Okuda	D8/68
D610,421 S *	2/2010	Taniguchi	D8/68
D614,468 S *	4/2010	Aglassinger	B25F 5/02
				D8/68
D617,622 S *	6/2010	Lopano	D8/68
D628,038 S *	11/2010	Aoki	D8/68
D656,804 S *	4/2012	Murray	D8/68
D672,627 S *	12/2012	Kawase	D8/68
D677,137 S *	3/2013	Kawase	D8/68
D678,024 S *	3/2013	Taniguchi	D8/68
D679,160 S *	4/2013	Okuda	D8/68
D679,161 S *	4/2013	Kawase	D8/68
D691,444 S *	10/2013	Tirone	B25F 5/02
				D8/68
D700,822 S *	3/2014	Tschopp	D8/68
D707,522 S *	6/2014	Naksen	D8/68
D721,938 S *	2/2015	Aoki	D8/68
D761,069 S *	7/2016	Aoki	D8/68
D777,545 S *	1/2017	Kosugi	D8/68

* cited by examiner

Primary Examiner — Darlington Ly

(74) *Attorney, Agent, or Firm* — Adan Ayala

(57) **CLAIM**

The ornamental design for an impact wrench, as shown and described.

DESCRIPTION

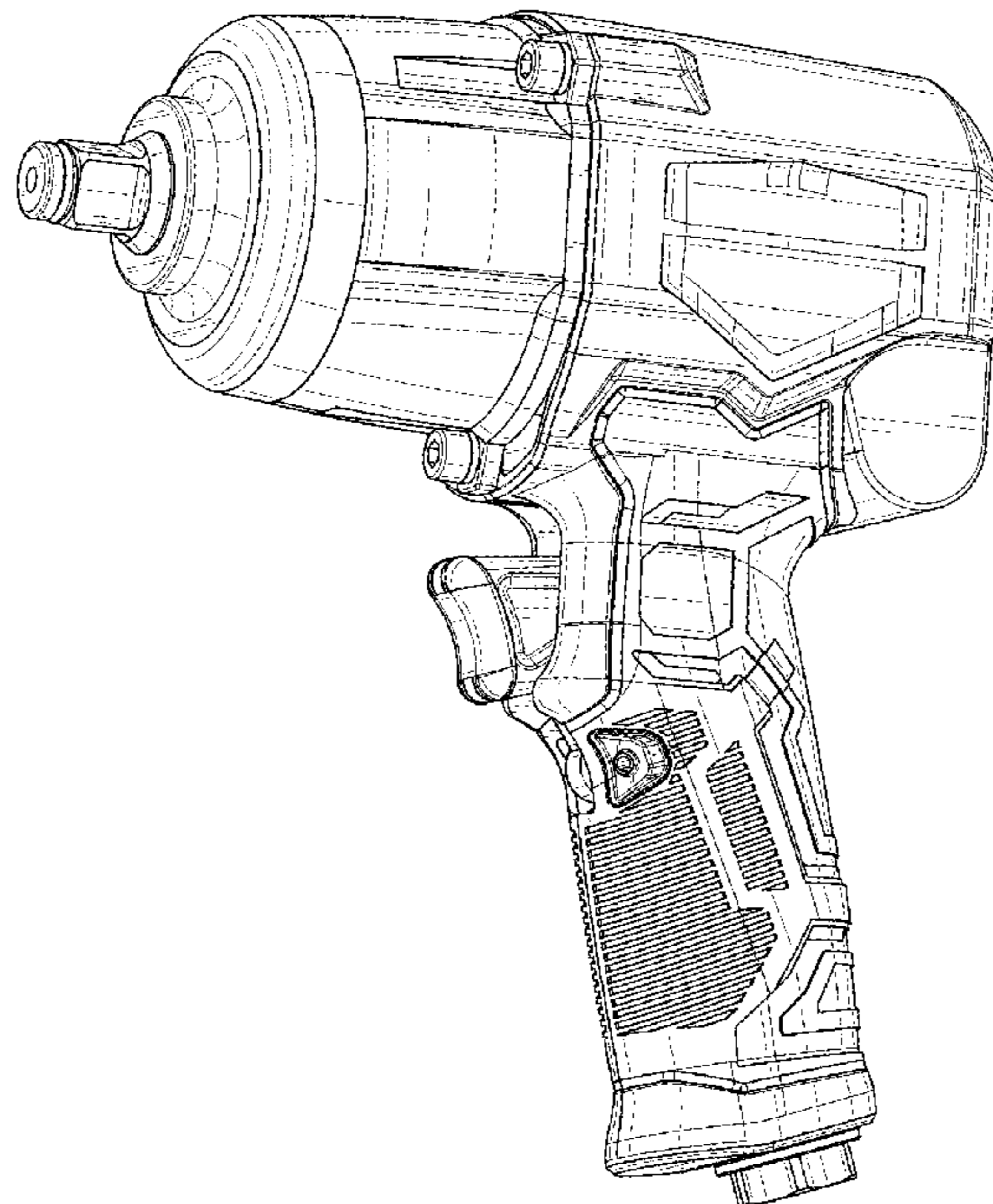
FIG. 1 is a front perspective view of an impact wrench embodying our new design;
 FIG. 2 is a front elevation view thereof;
 FIG. 3 is a rear elevation view thereof;
 FIG. 4 is a right side elevation view thereof;
 FIG. 5 is a left side elevation view thereof;
 FIG. 6 is a top plan view thereof;
 FIG. 7 is a bottom plan view thereof; and,
 FIG. 8 is a rear perspective view thereof.

1 Claim, 8 Drawing Sheets

(56) **References Cited**

U.S. PATENT DOCUMENTS

D524,136 S *	7/2006	Taniguchi	D8/68
D525,099 S *	7/2006	Nagasaka	D8/68
D556,002 S *	11/2007	Ino	D8/68
D567,615 S *	4/2008	Taniguchi	B25F 5/02
				D8/68
D577,558 S *	9/2008	Taniguchi	D8/68
D579,743 S *	11/2008	Lopano	D8/68
D584,123 S *	1/2009	Lopano	D8/68
D585,715 S *	2/2009	Okuda	D8/68
D585,716 S *	2/2009	Taniguchi	D8/68



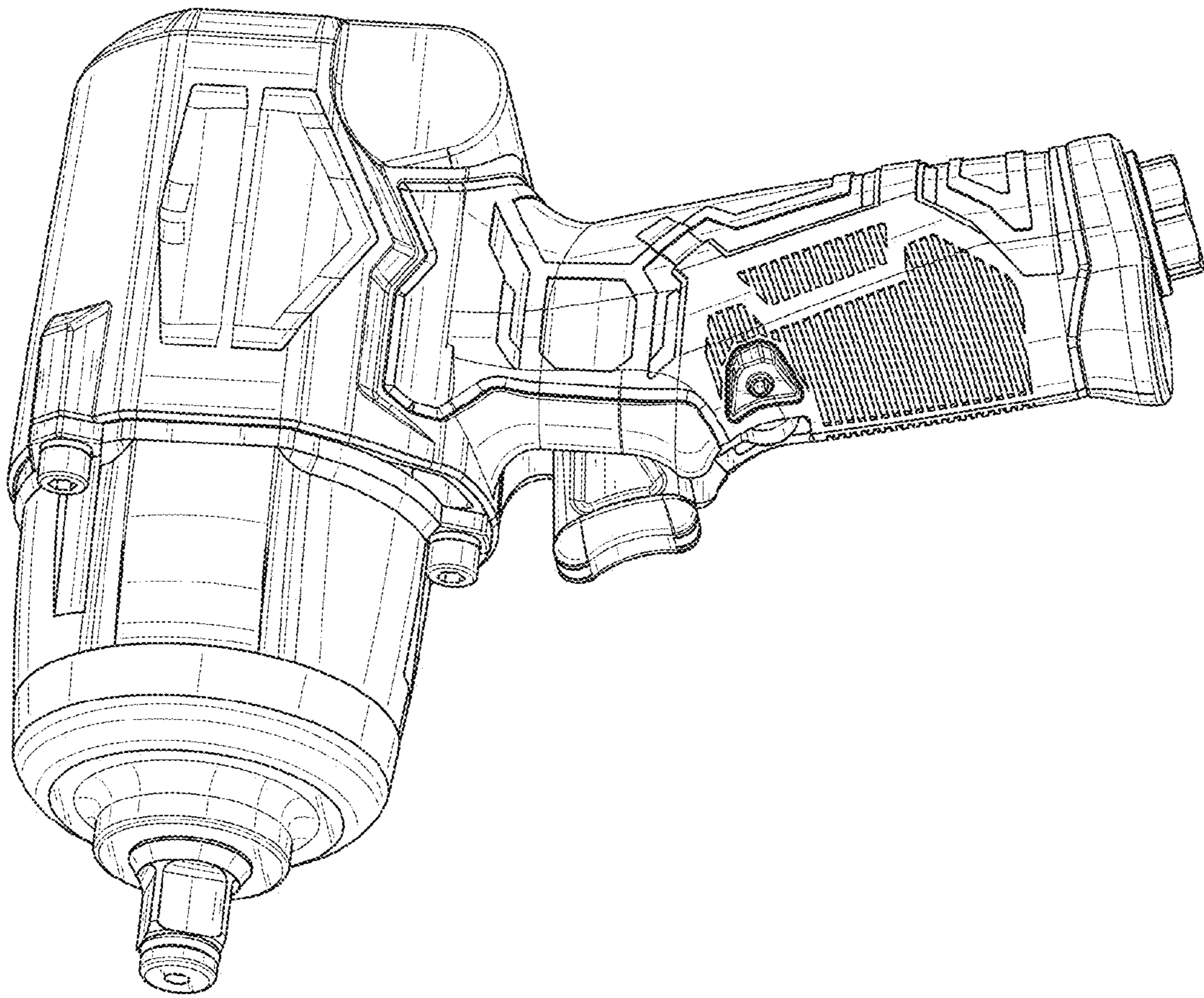


FIG. 1

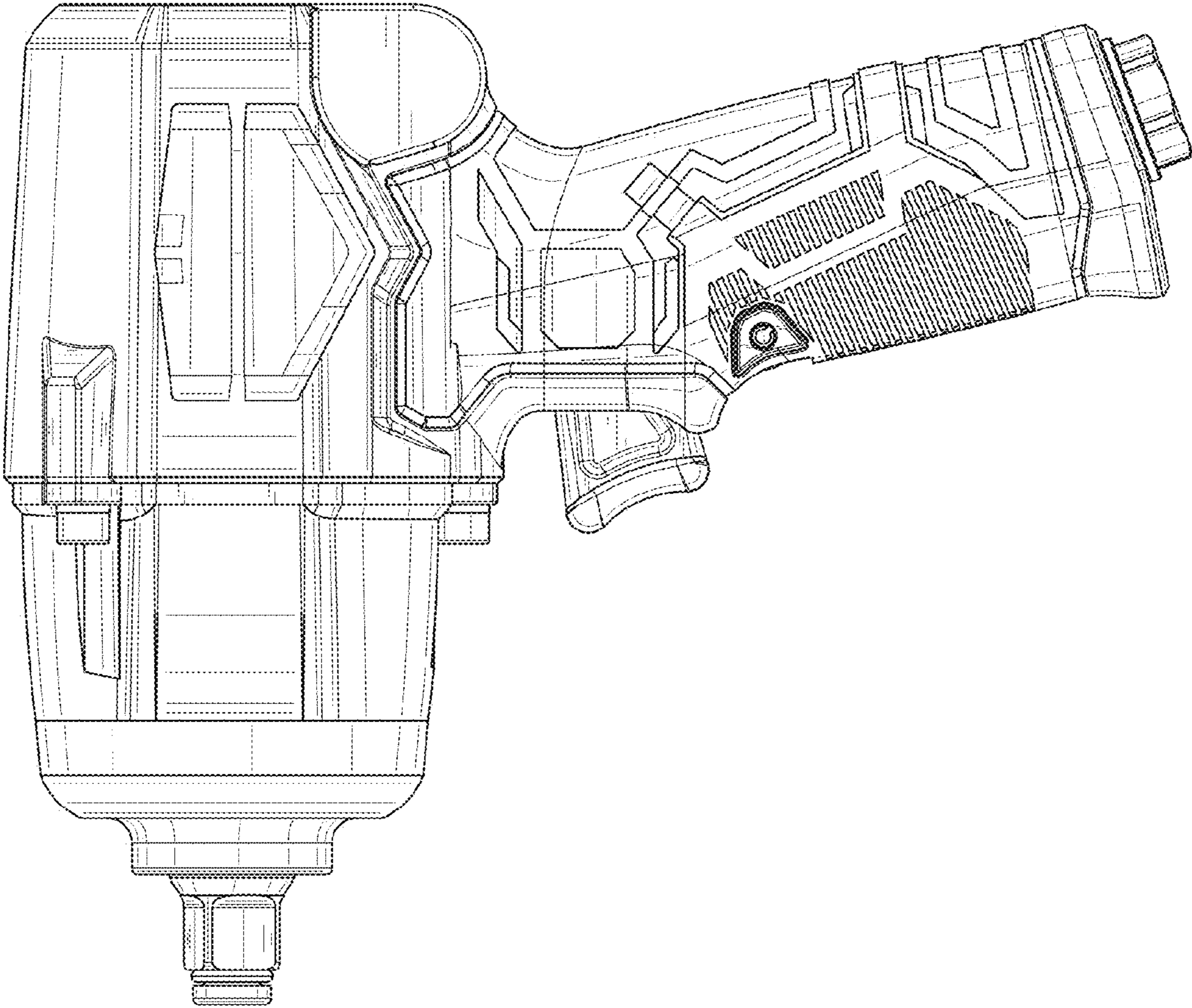


FIG. 2

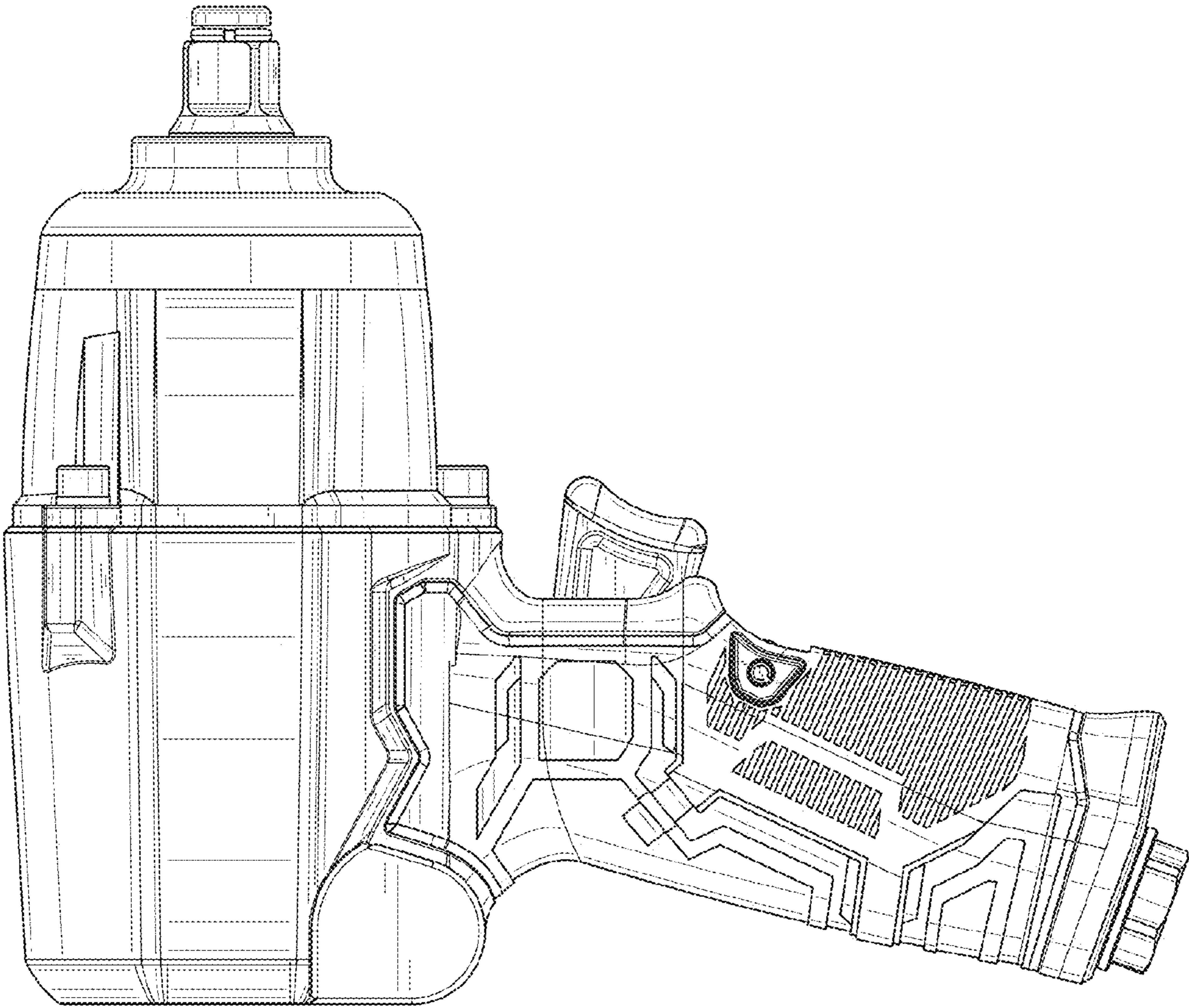


FIG. 3

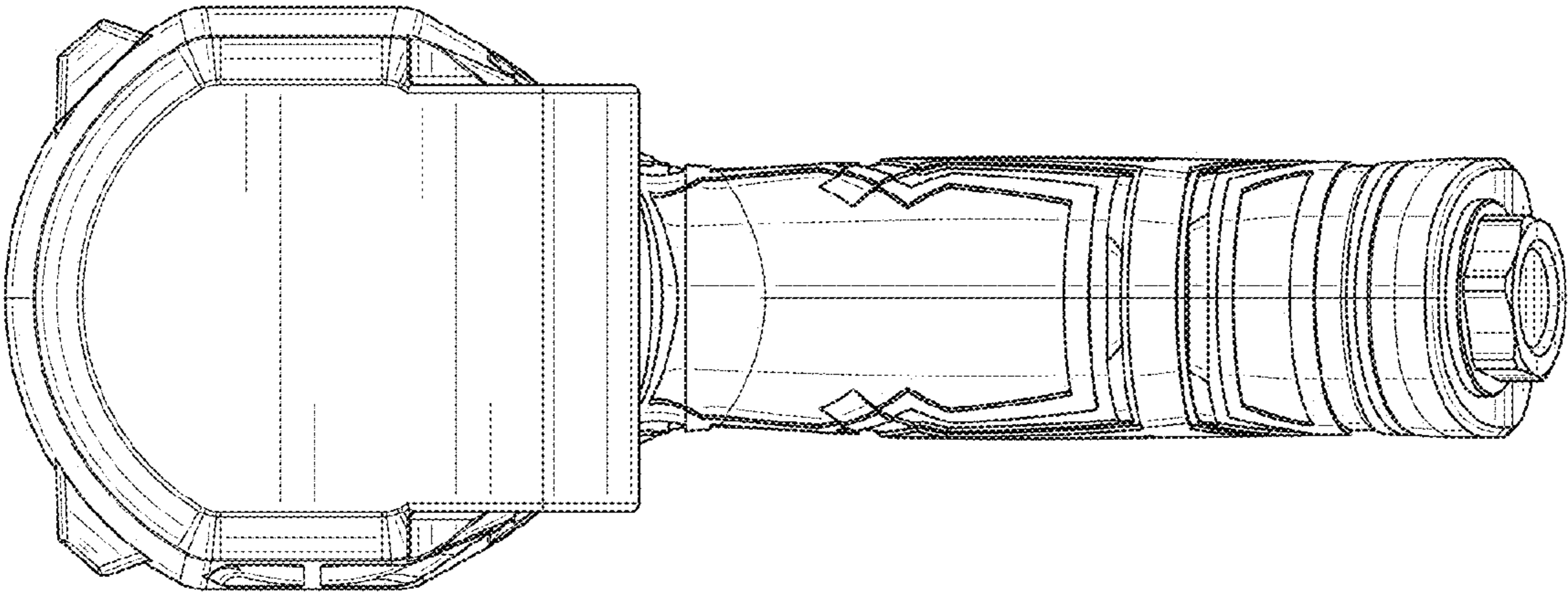


FIG. 4

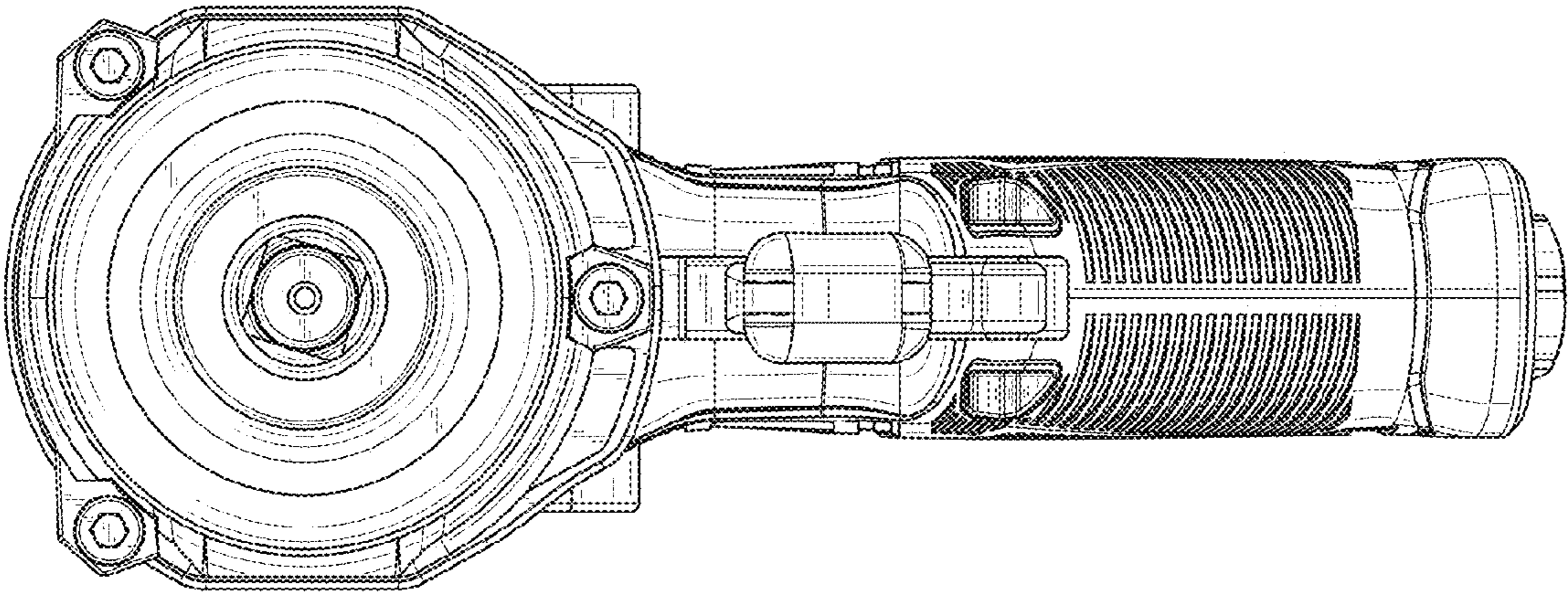


FIG. 5

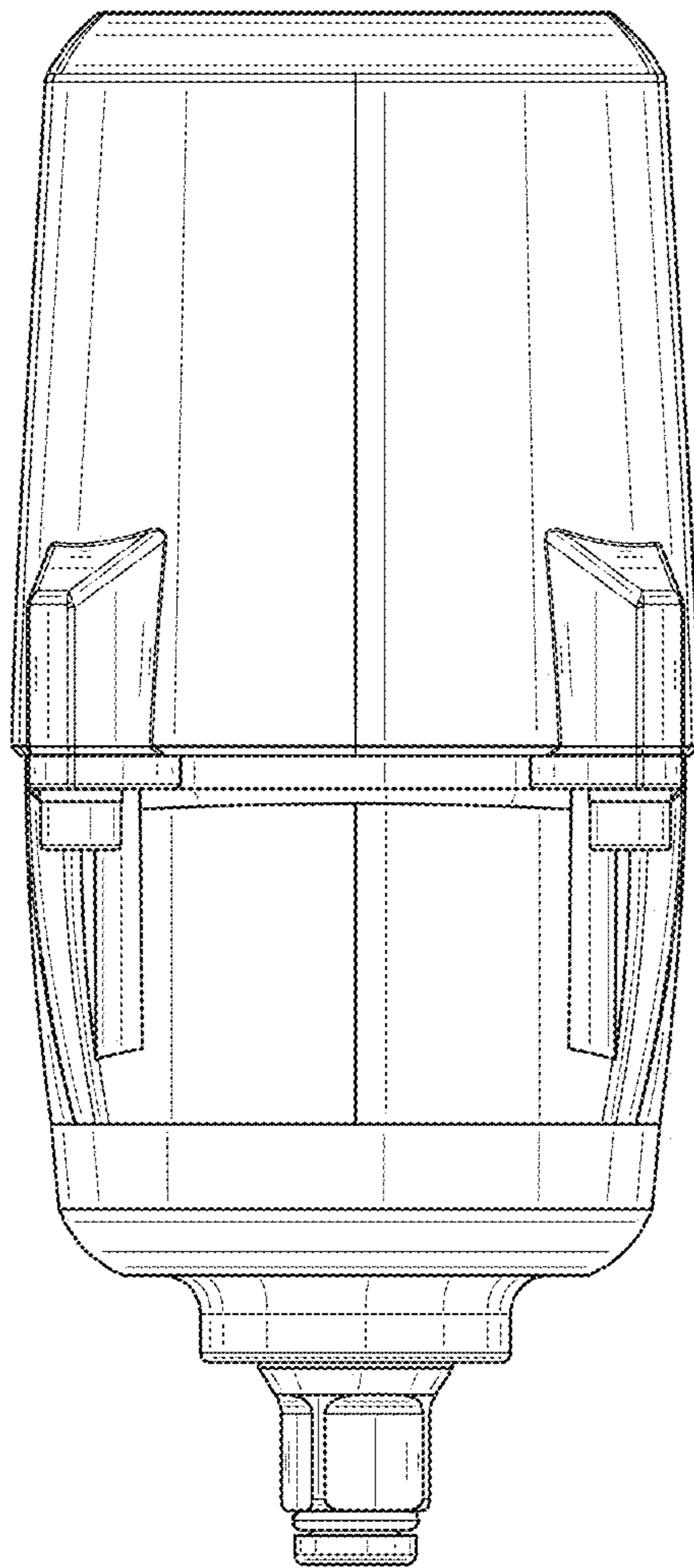


FIG. 6

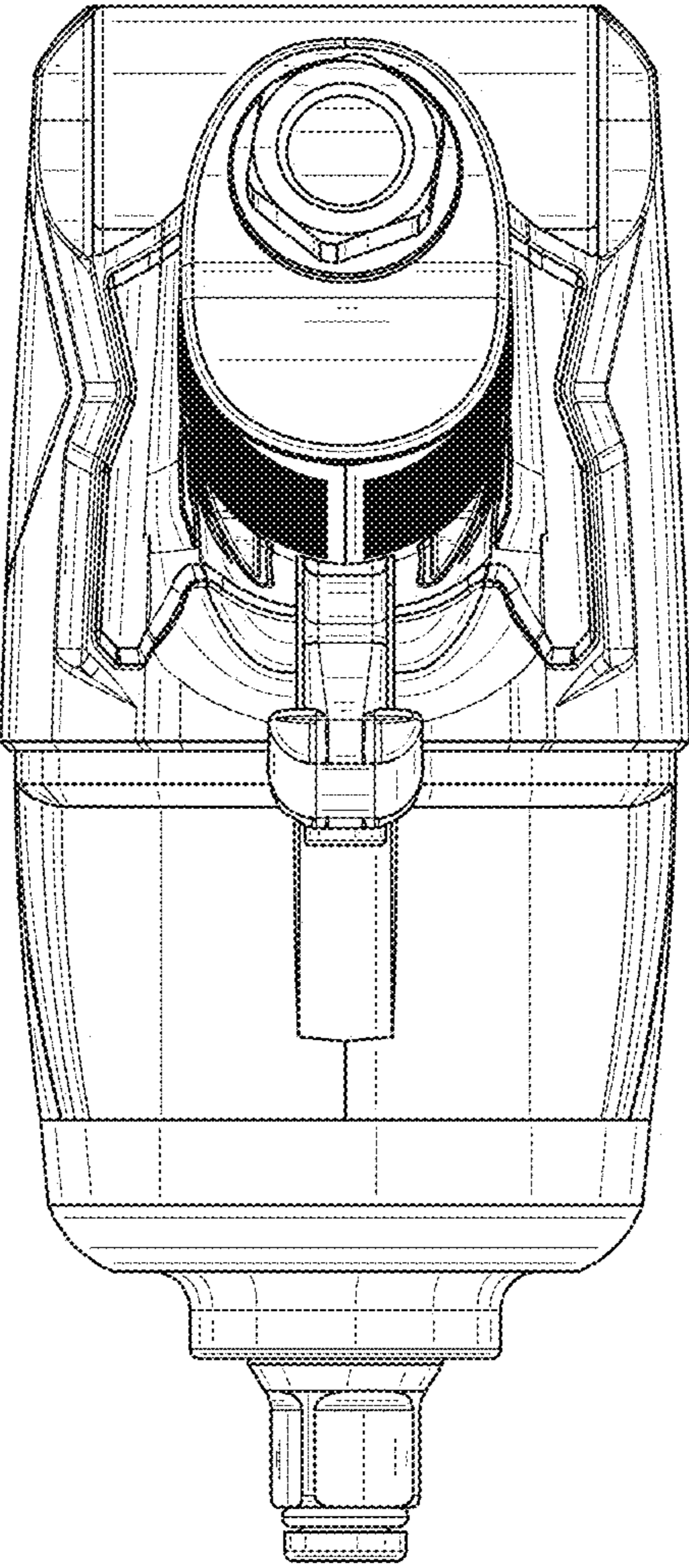


FIG. 7

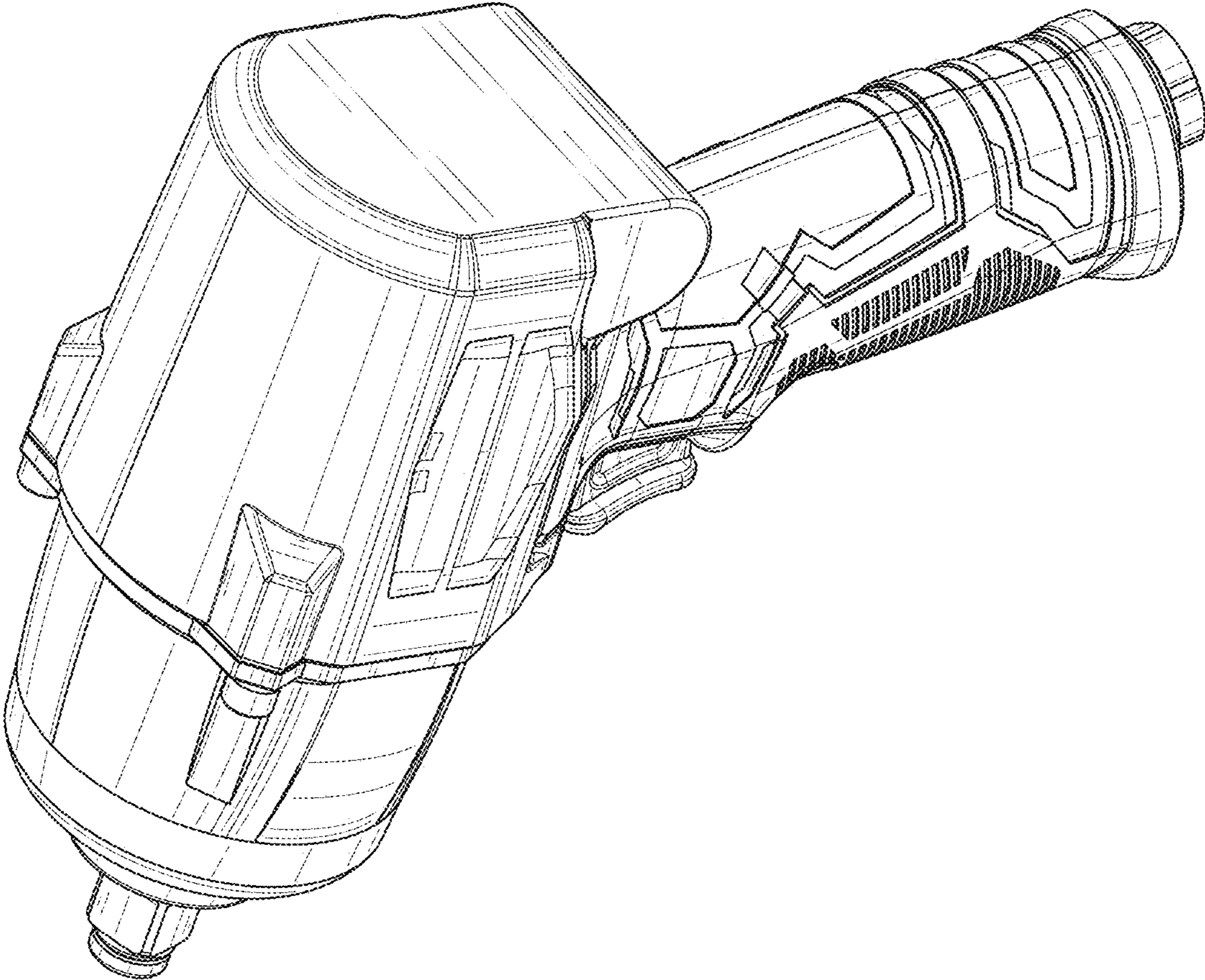


FIG. 8