



US00D911800S

(12) **United States Design Patent**
Ushakov

(10) **Patent No.:** **US D911,800 S**
(45) **Date of Patent:** **** Mar. 2, 2021**

(54) **SCREWDRIVER**
(71) Applicant: **SWEDEX GmbH Industrieprodukte,**
Neuss (DE)
(72) Inventor: **Andreas Ushakov,** Dormagen (DE)
(**) Term: **15 Years**

8,418,778 B2 * 4/2013 Eshleman B25B 21/00
173/1
D703,017 S * 4/2014 Concari B25B 23/14
D8/61
9,707,670 B2 * 7/2017 Hita B25B 21/00
D861,450 S * 10/2019 Mancini D8/61
D865,470 S * 11/2019 Houghton D8/61
D876,193 S * 2/2020 Zhao D8/61

* cited by examiner

(21) Appl. No.: **35/506,568**
(22) Filed: **Dec. 5, 2018**

Primary Examiner — Darlington Ly

(80) **Hague Agreement Data**
Int. Filing Date: **Dec. 5, 2018**
Int. Reg. No.: **DM/200552**
Int. Reg. Date: **Dec. 5, 2018**
Int. Reg. Pub. Date: **Apr. 12, 2019**

(57) **CLAIM**

The ornamental design for a screwdriver, as shown and described.

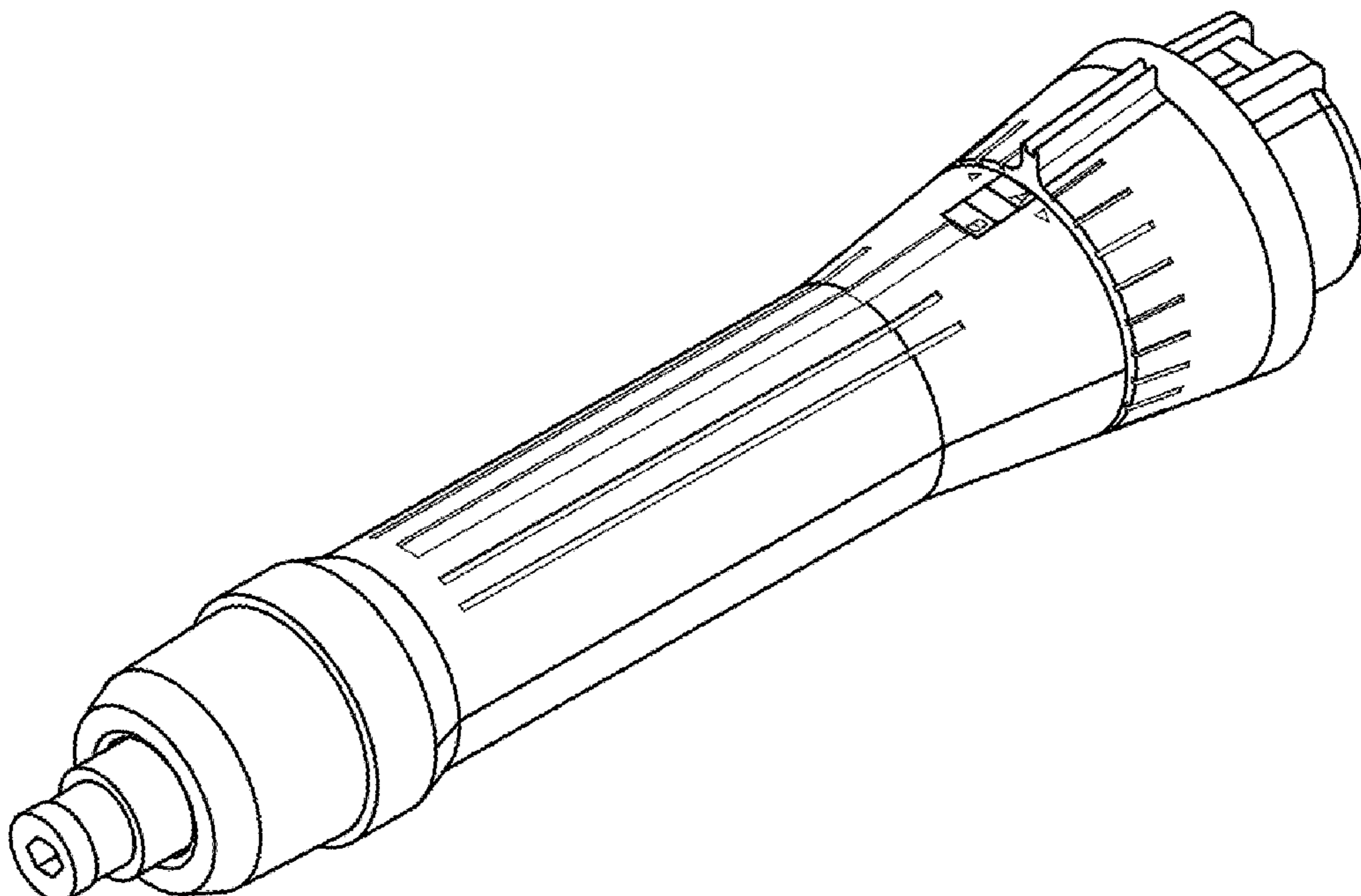
(51) **LOC (13) Cl.** **08-01**
(52) **U.S. Cl.**
USPC **D8/61**
(58) **Field of Classification Search**
USPC D8/61, 62, 67, 69
CPC B25B 21/02; B25B 21/008; B25B 23/16;
B25B 23/1405; A61B 17/1615
See application file for complete search history.

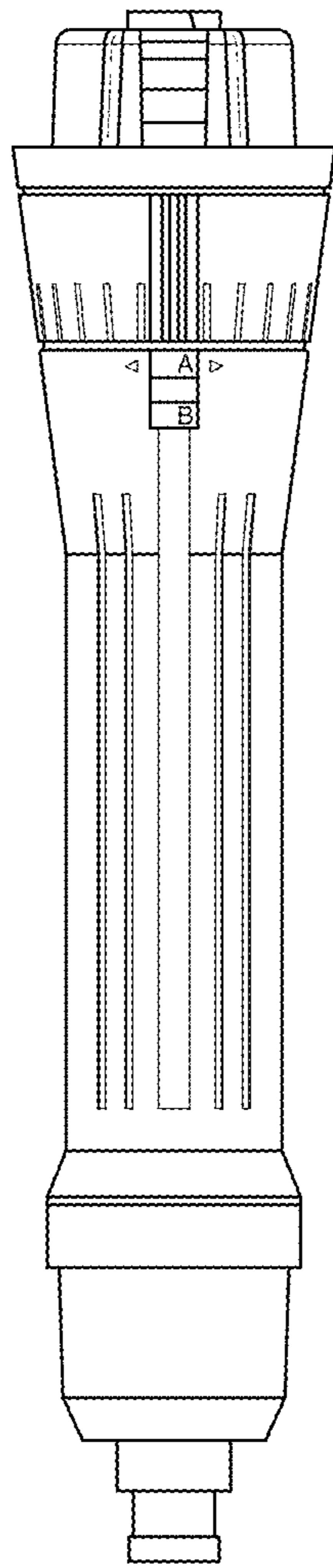
DESCRIPTION

1.-2. Screwdriver
1.1 is a front elevation view of a screwdriver showing embodying my new design in accordance with a first embodiment;
1.2 is a side elevation view thereof;
1.3 is an opposing side elevation view thereof;
1.4 is a top plan view thereof;
1.5 is a front perspective view thereof; and
1.6 is a rear perspective view thereof
2.1 is a front elevation view of a screwdriver showing embodying my new design in accordance with a second embodiment;
2.2 is a rear elevation view thereof;
2.3 is a top plan view thereof;
2.4 is a front perspective view thereof; and
2.5 is a rear perspective view thereof.
The broken lines in the drawings depict portions of the screwdriver that form no part of the claimed design.

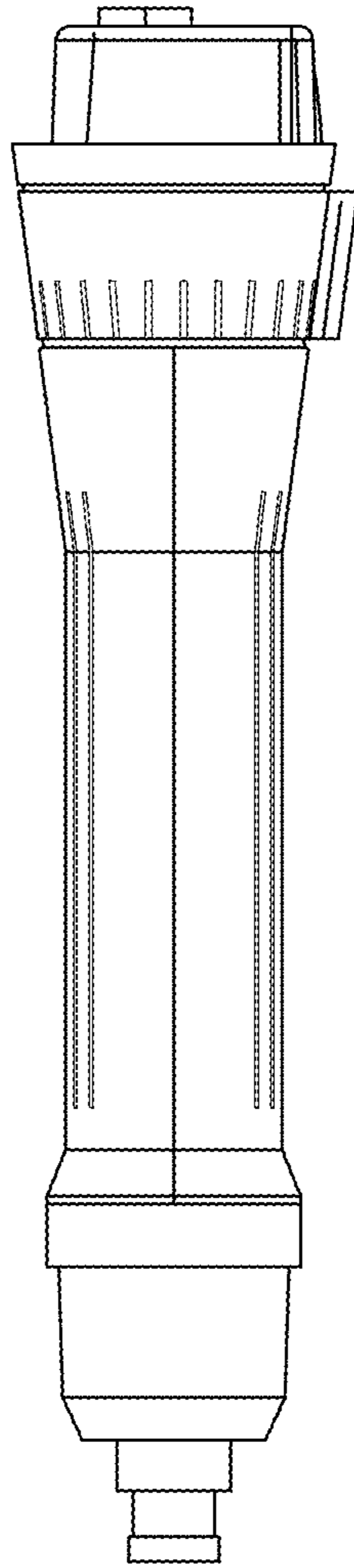
(56) **References Cited**
U.S. PATENT DOCUMENTS
D470,374 S * 2/2003 Murray D8/61
D502,071 S * 2/2005 Snider D8/61
D558,015 S * 12/2007 Aglassinger D8/61
D576,853 S * 9/2008 Aglassinger D8/61
D580,722 S * 11/2008 Chi D8/61
D600,991 S * 9/2009 Lai D8/83
D604,581 S * 11/2009 Edwards D8/61

1 Claim, 8 Drawing Sheets

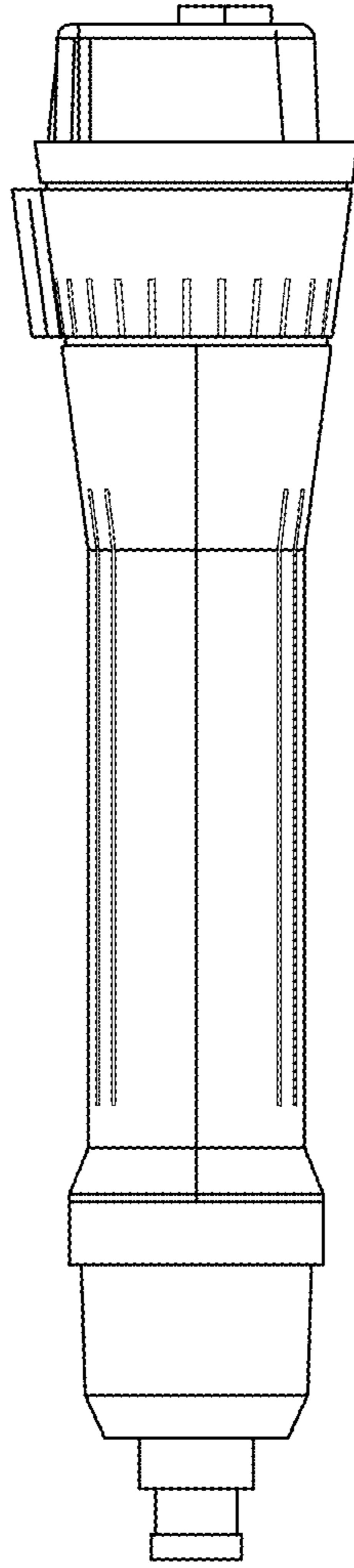




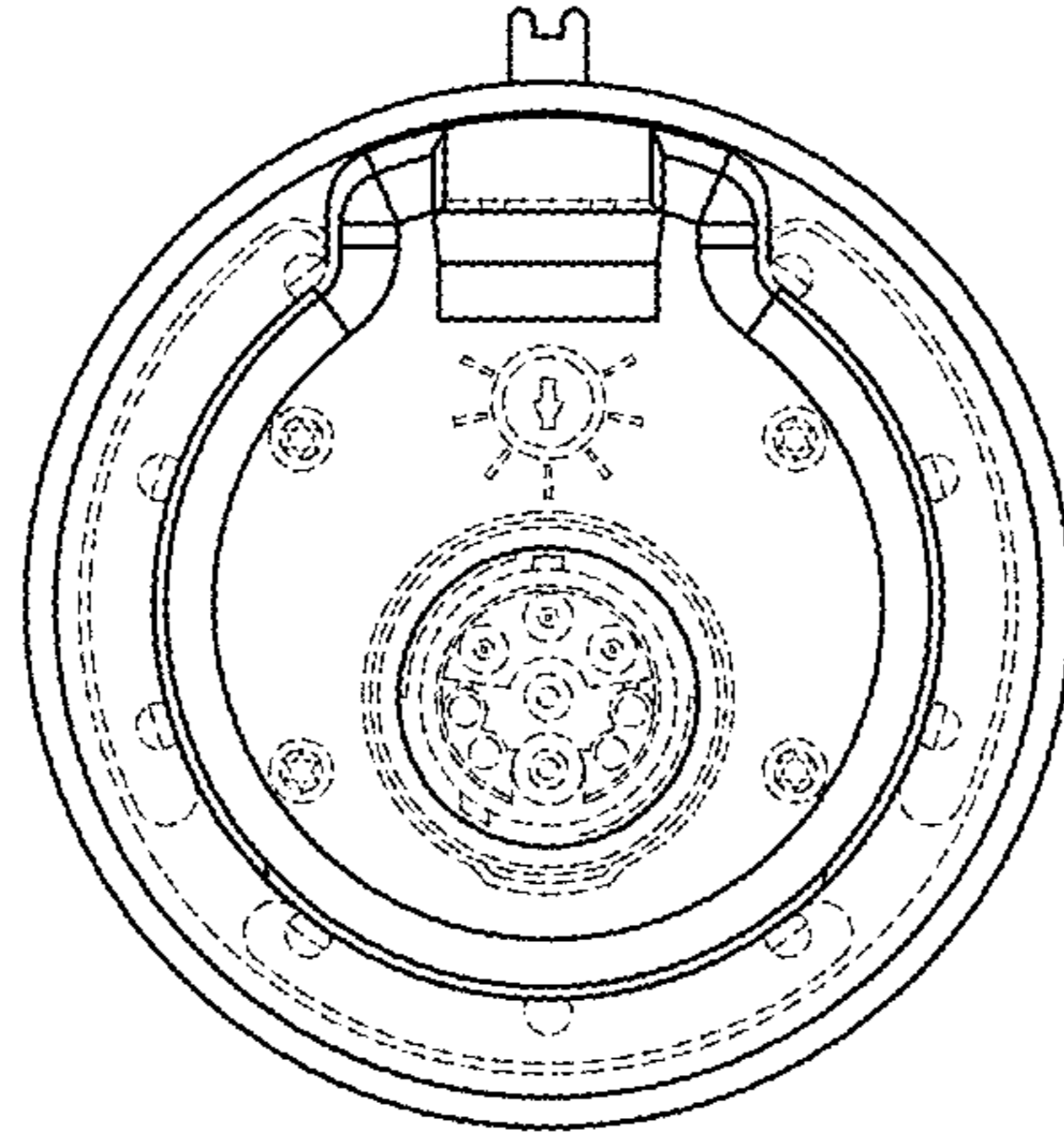
1.1



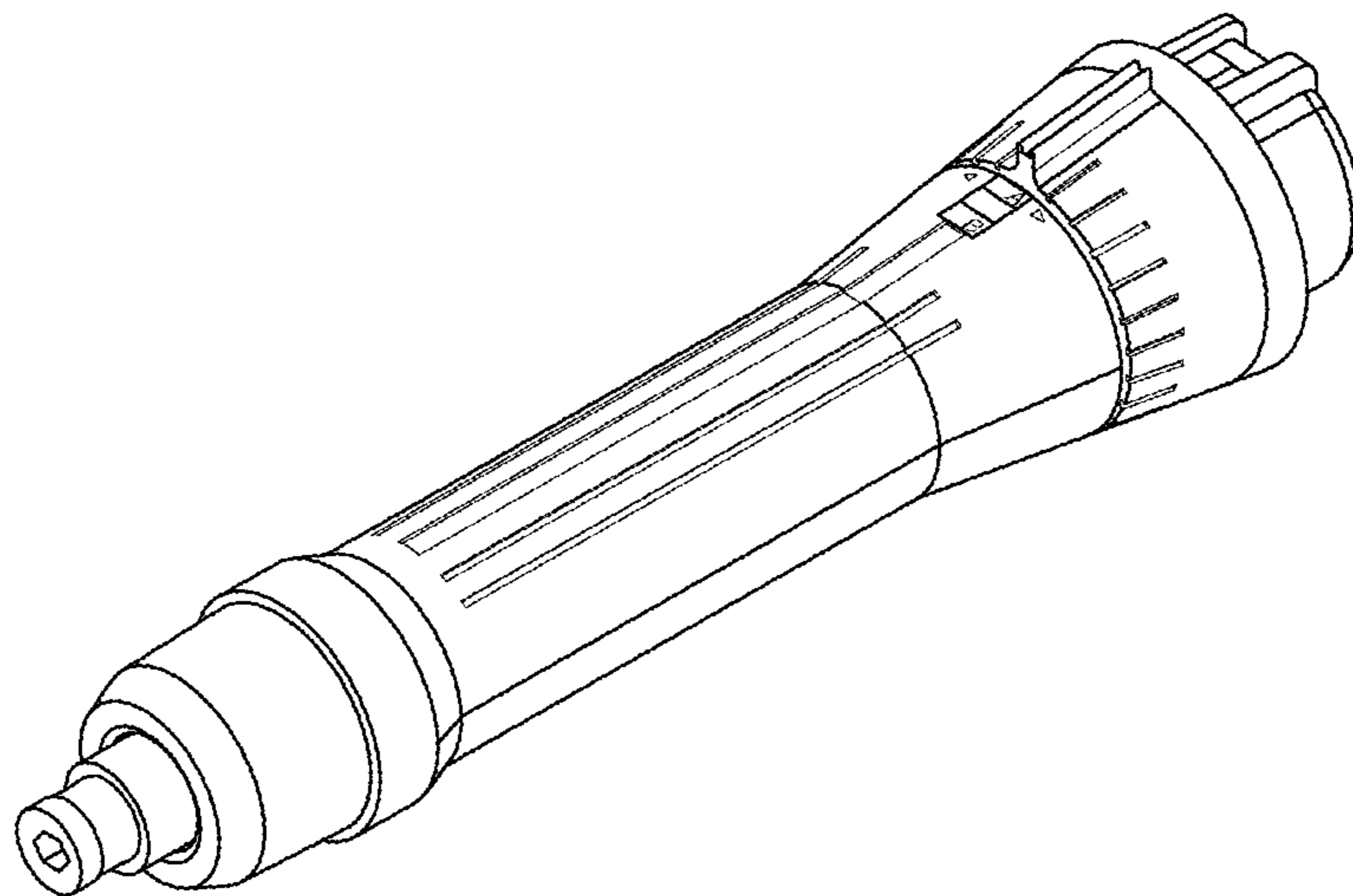
1.2



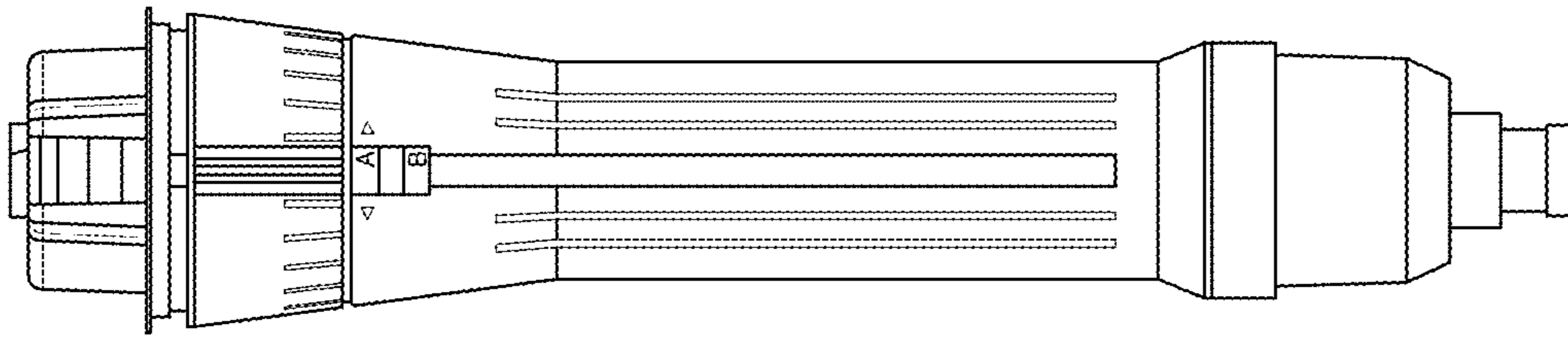
1.3



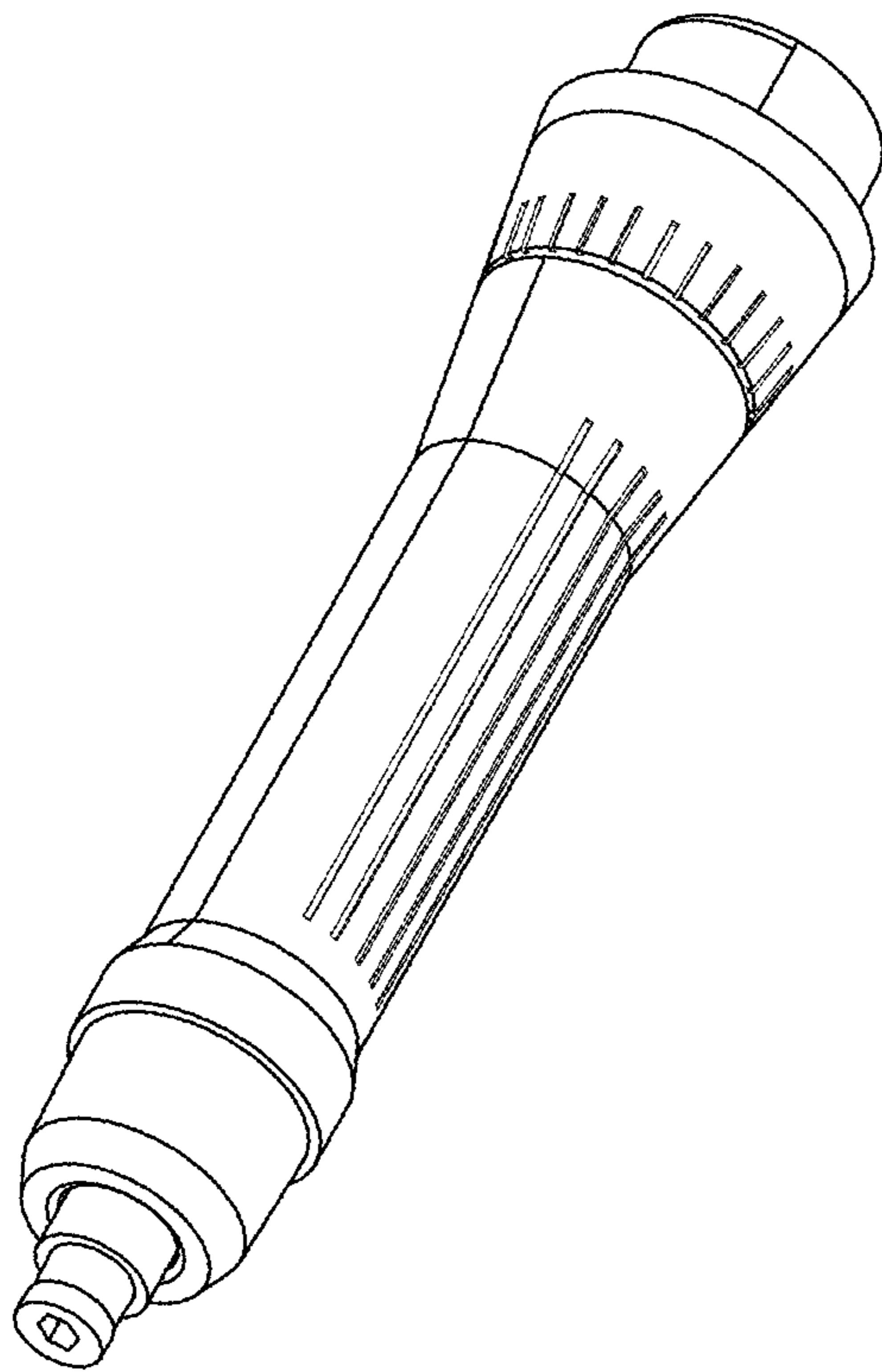
1.4



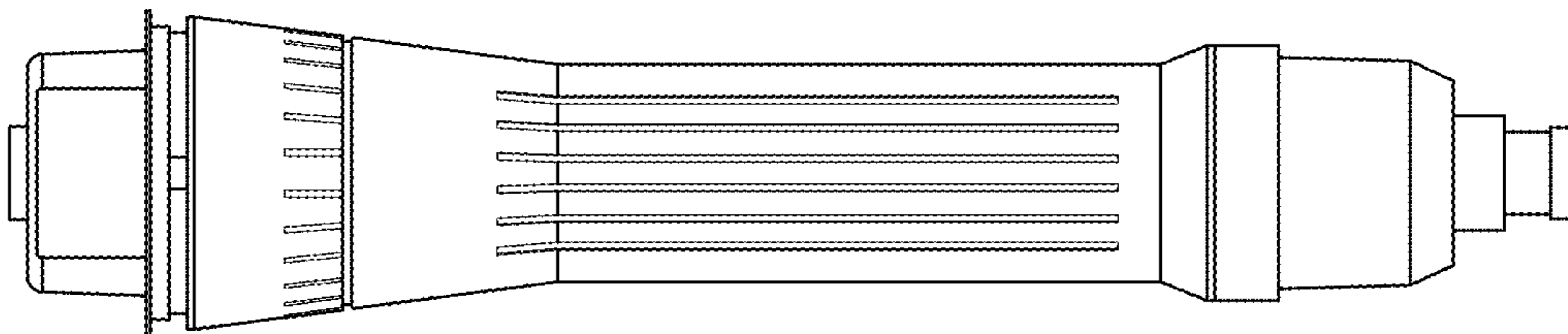
1.5



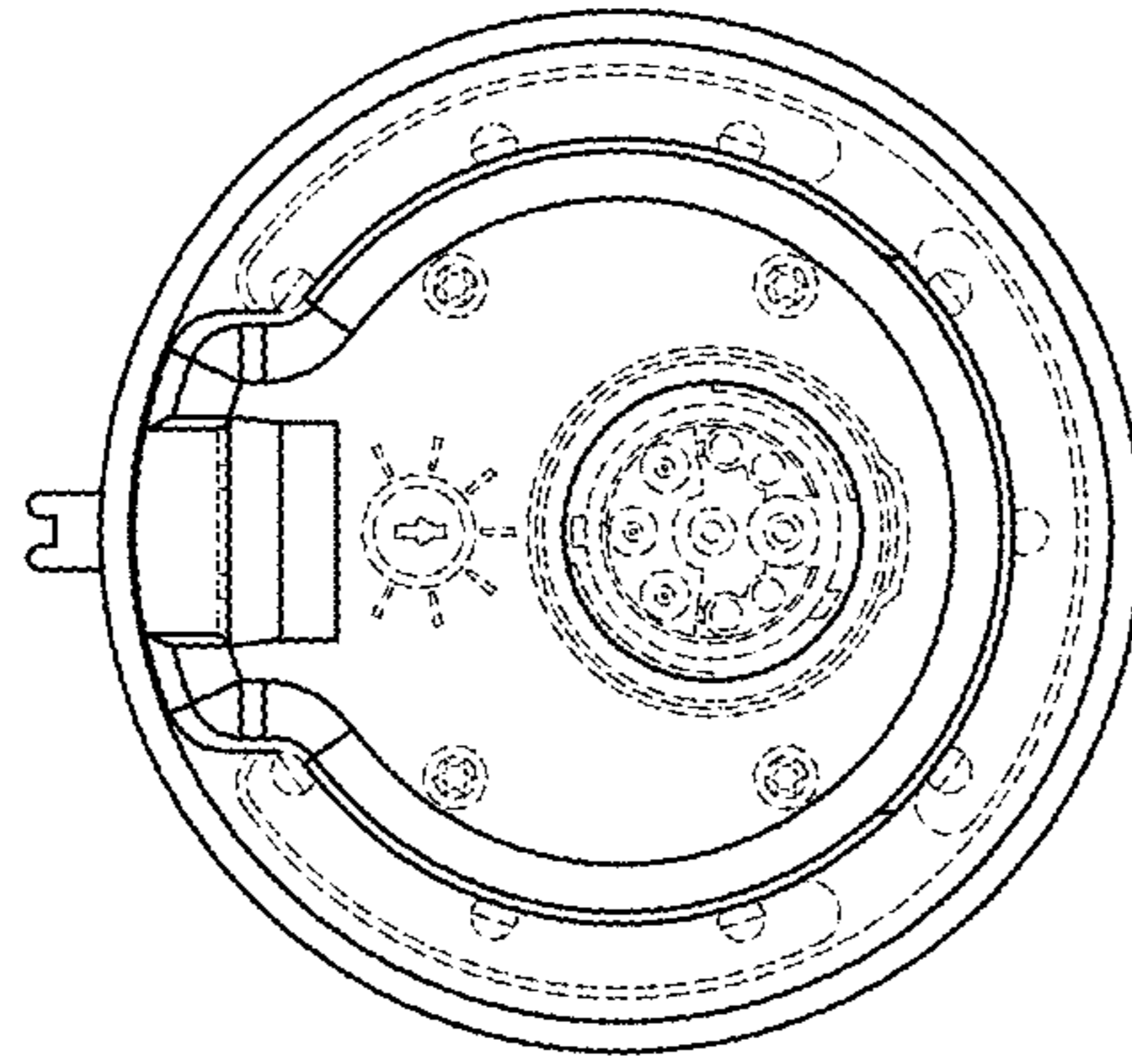
2.1



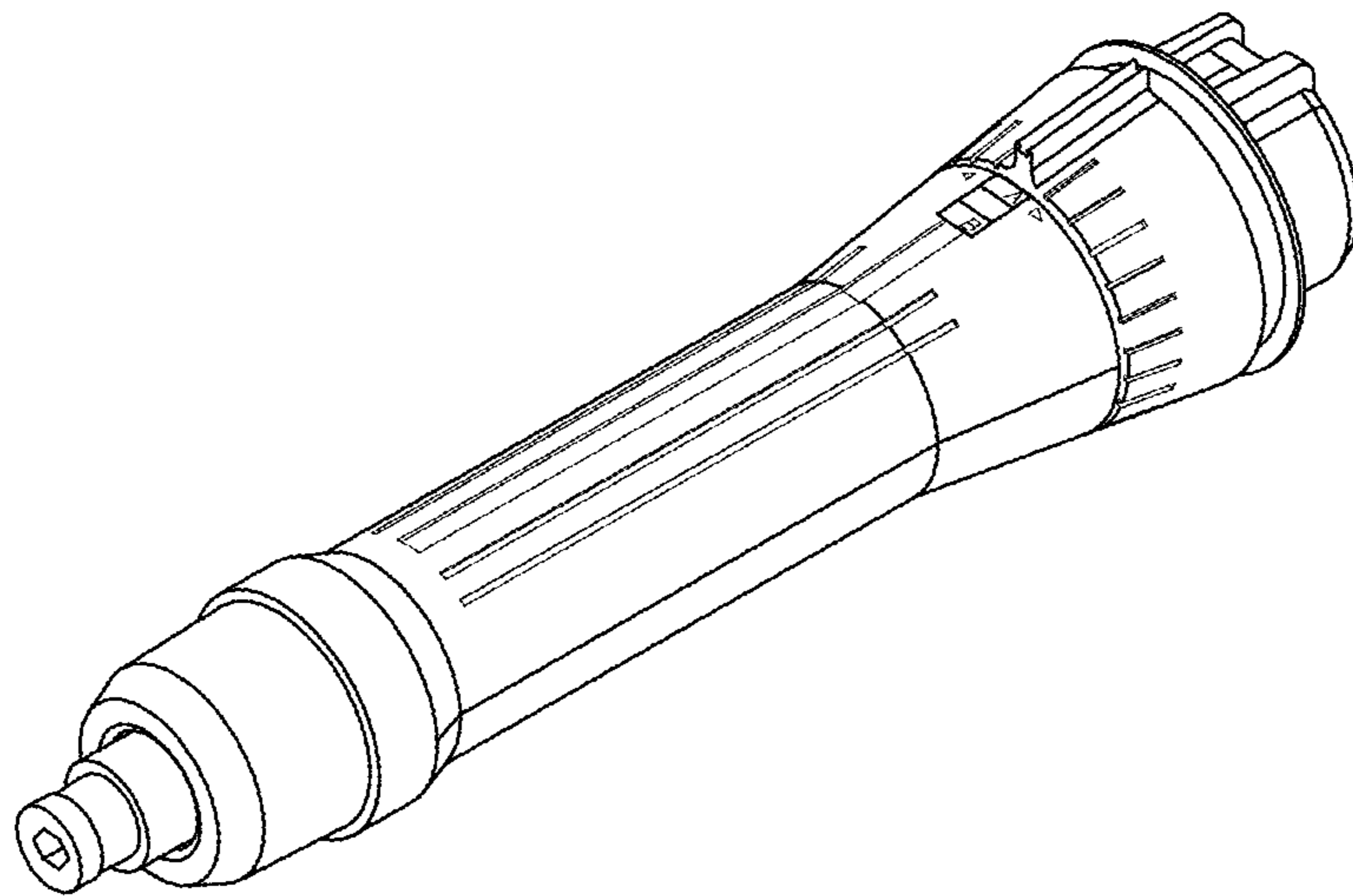
1.6



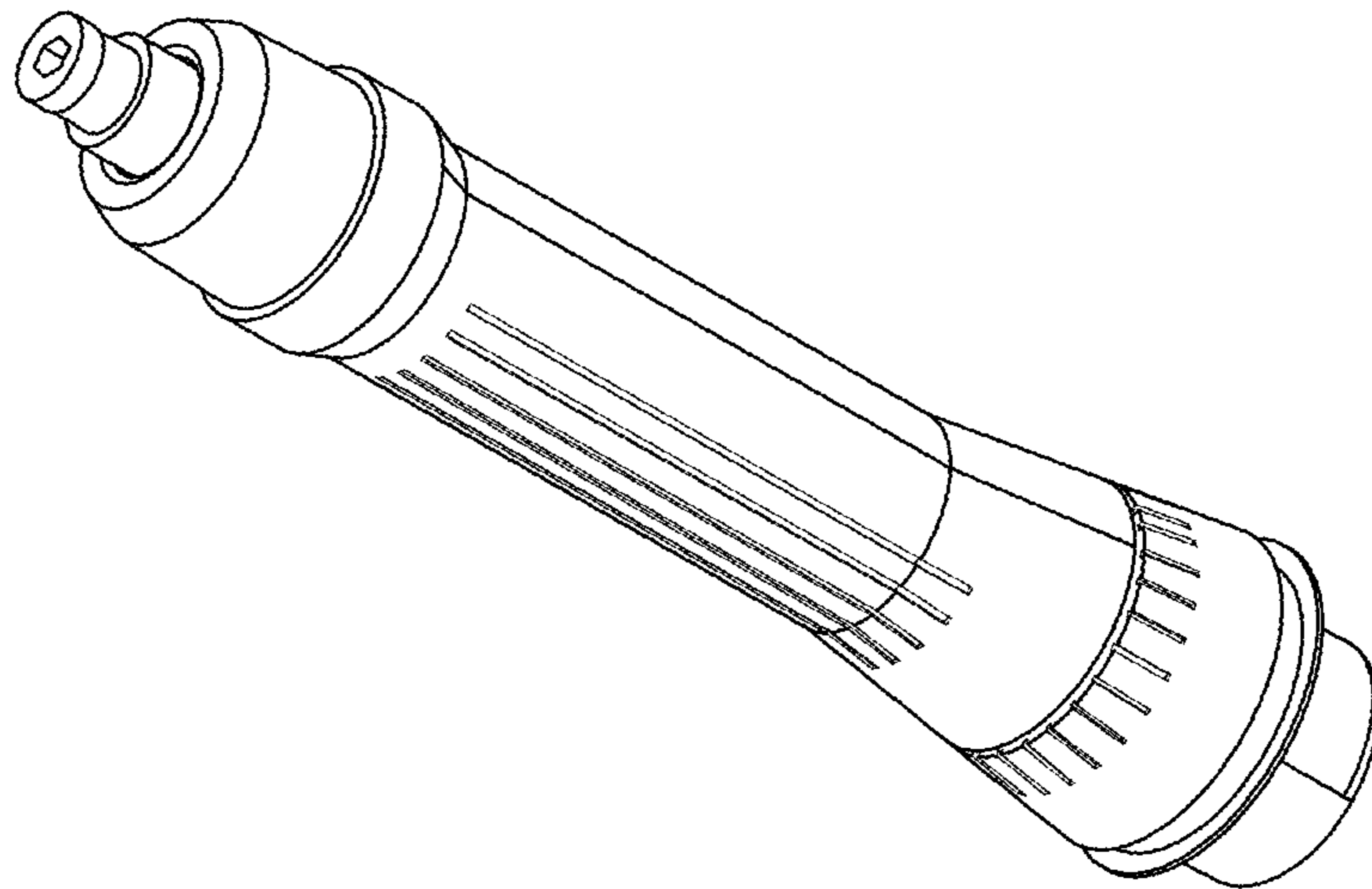
2.2



2.3



2.4



2.5