



US00D911799S

(12) **United States Design Patent**
Sweitzer et al.

(10) **Patent No.:** **US D911,799 S**
(45) **Date of Patent:** **** Mar. 2, 2021**

- (54) **UNIVERSAL BACK CHISEL**
- (71) Applicant: **Shukla Medical**, St. Petersburg, FL (US)
- (72) Inventors: **Zachary Robert Sweitzer**, Keyport, NJ (US); **Nicholas Christopher Keach**, Lutz, FL (US)
- (73) Assignee: **Shukla Medical**, St. Petersburg, FL (US)
- (**) Term: **15 Years**
- (21) Appl. No.: **29/707,960**
- (22) Filed: **Oct. 2, 2019**
- (51) **LOC (13) Cl.** **08-05**
- (52) **U.S. Cl.**
USPC **D8/47**
- (58) **Field of Classification Search**
USPC D8/14, 47, 88, 89, 105, 81; D13/148, D13/151
CPC .. B25G 1/105; B25G 1/00; B25G 1/10; Y10T 16/476; B25B 33/00; B25C 11/00; B66F 15/00
See application file for complete search history.

- 5,820,107 A * 10/1998 Hall B25C 11/00 254/25
 - D420,331 S * 2/2000 Martin D13/148
 - 6,471,186 B1 * 10/2002 Lawless B25C 11/00 254/25
 - 6,663,082 B1 * 12/2003 Ploeger B25C 11/00 254/129
 - 6,886,229 B1 * 5/2005 Wilson B25B 27/04 29/267
 - 7,048,255 B2 * 5/2006 Buch B25C 11/00 254/25
 - D571,517 S * 6/2008 Zion D32/49
 - 7,503,545 B2 * 3/2009 Verbowski B25G 1/10 254/21
 - D603,236 S * 11/2009 Weeks D8/38
- (Continued)

Primary Examiner — Philip S Hyder
(74) *Attorney, Agent, or Firm* — Kim IP Law Group LLC

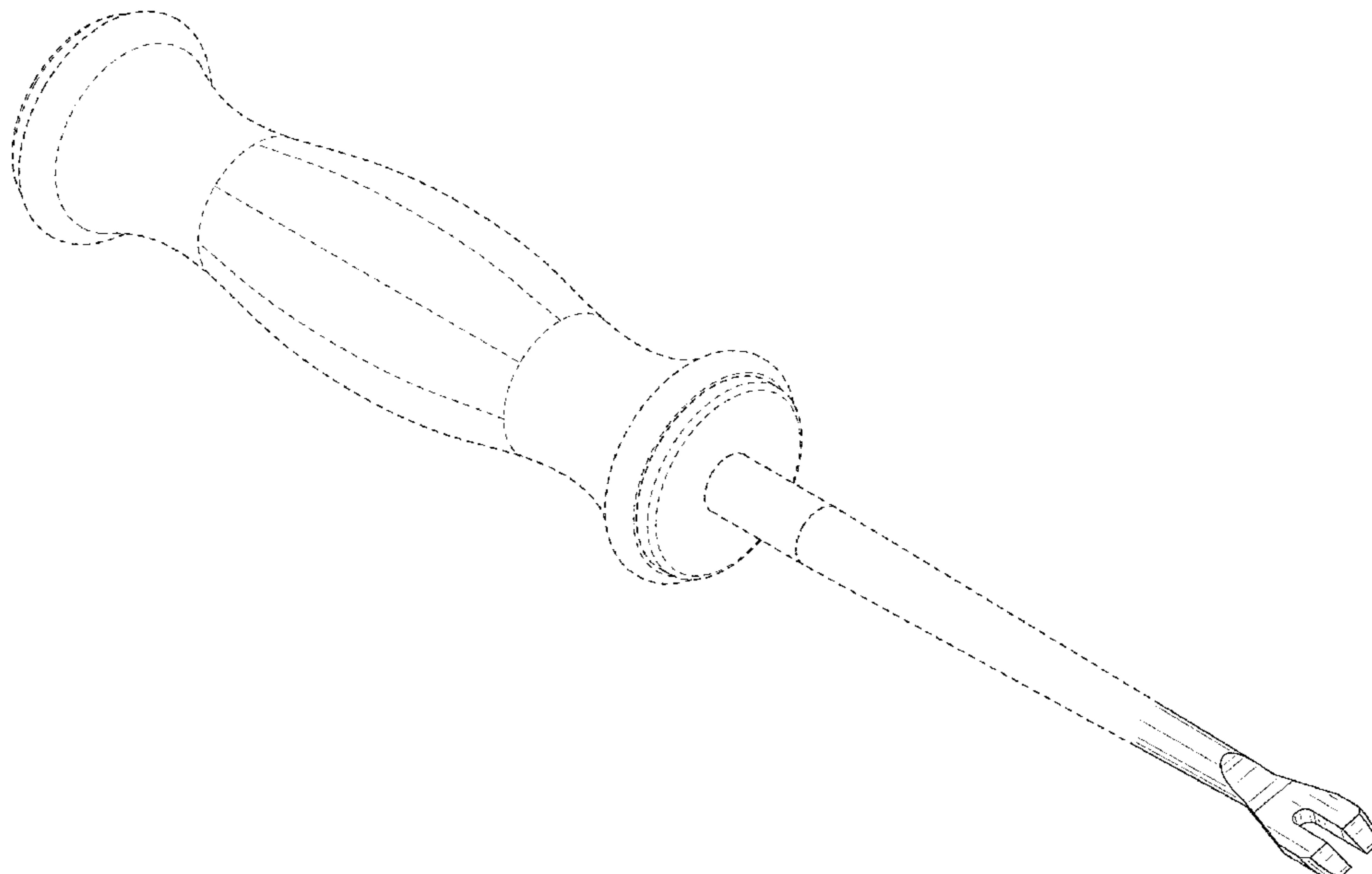
(57) **CLAIM**

The ornamental design for a universal back chisel, as shown and described.

DESCRIPTION

FIG. 1 is a perspective view of a universal back chisel in accordance with the new design;
FIG. 2 is a left side view of the universal back chisel of FIG. 1;
FIG. 3 is a right side view of the universal back chisel of FIG. 1;
FIG. 4 is a front view of the universal back chisel of FIG. 1;
FIG. 5 is a rear view of the universal back chisel of FIG. 1;
FIG. 6 is a top view of the universal back chisel of FIG. 1;
and,
FIG. 7 is a bottom view of the universal back chisel of FIG. 1.
The broken lines in the figures are directed to portions of the universal back chisel that form no part of the claimed design.

1 Claim, 4 Drawing Sheets



(56)

References Cited

U.S. PATENT DOCUMENTS

7,774,882 B2 * 8/2010 Liou B66F 15/00
7/166
D743,757 S * 11/2015 Combs D8/14
D821,843 S * 7/2018 Graykowski D8/89
D860,751 S * 9/2019 Groene D8/89
D870,531 S * 12/2019 Hartle D8/89
2004/0155229 A1 * 8/2004 Lawless B25G 1/10
254/25
2016/0144494 A1 * 5/2016 Sorkin B25B 33/00
29/426.5

* cited by examiner

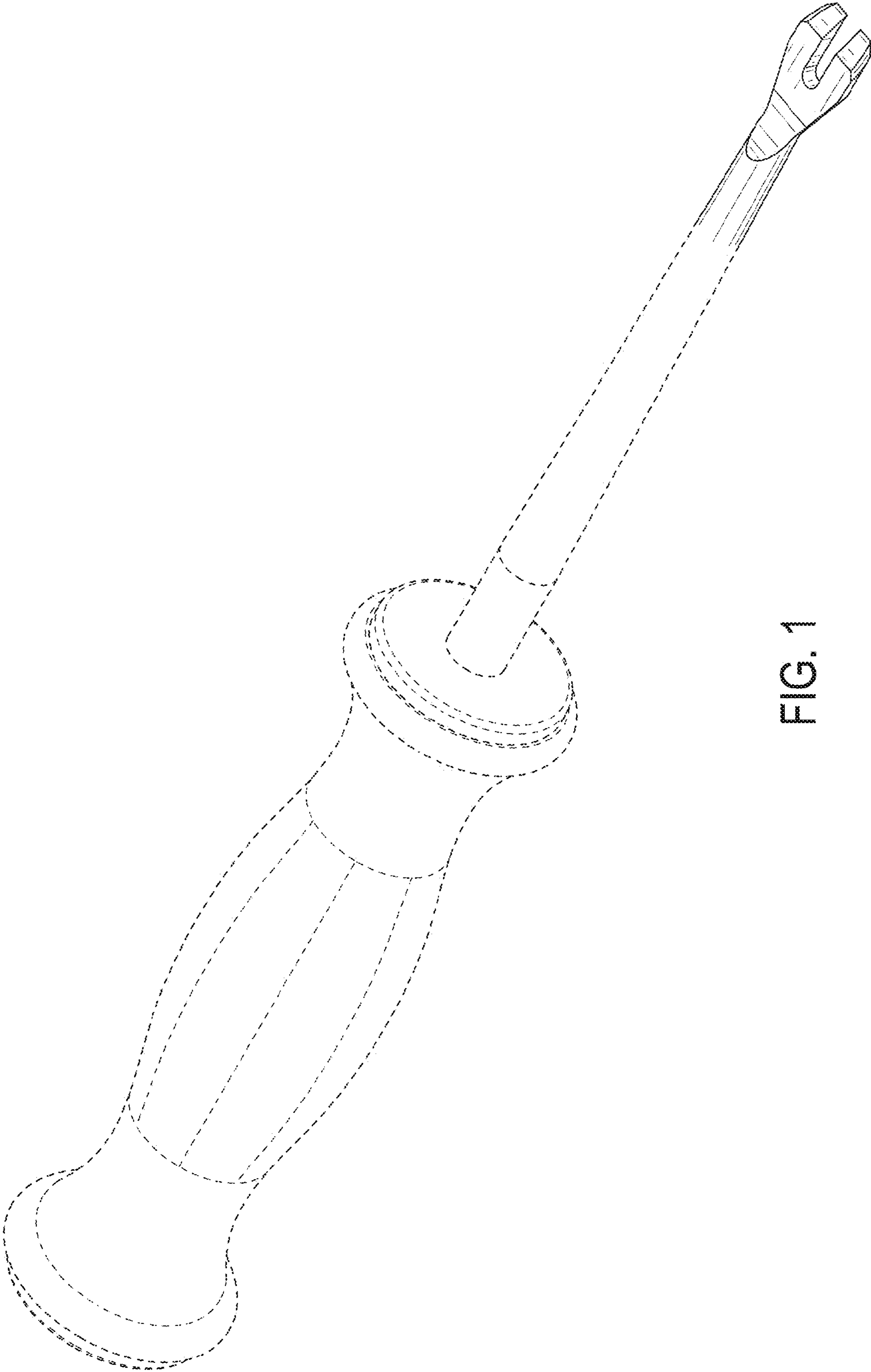


FIG. 1

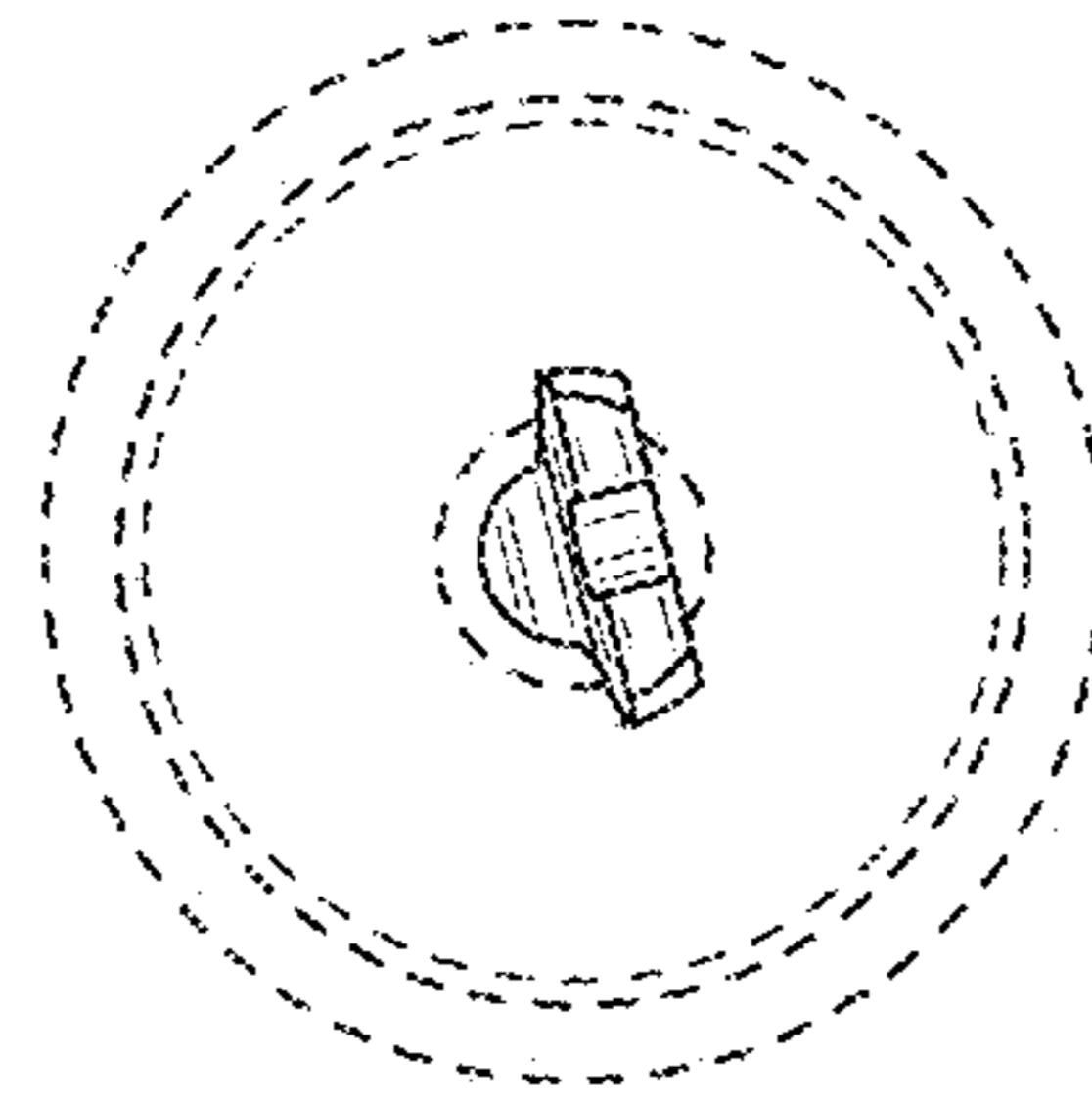


FIG. 3

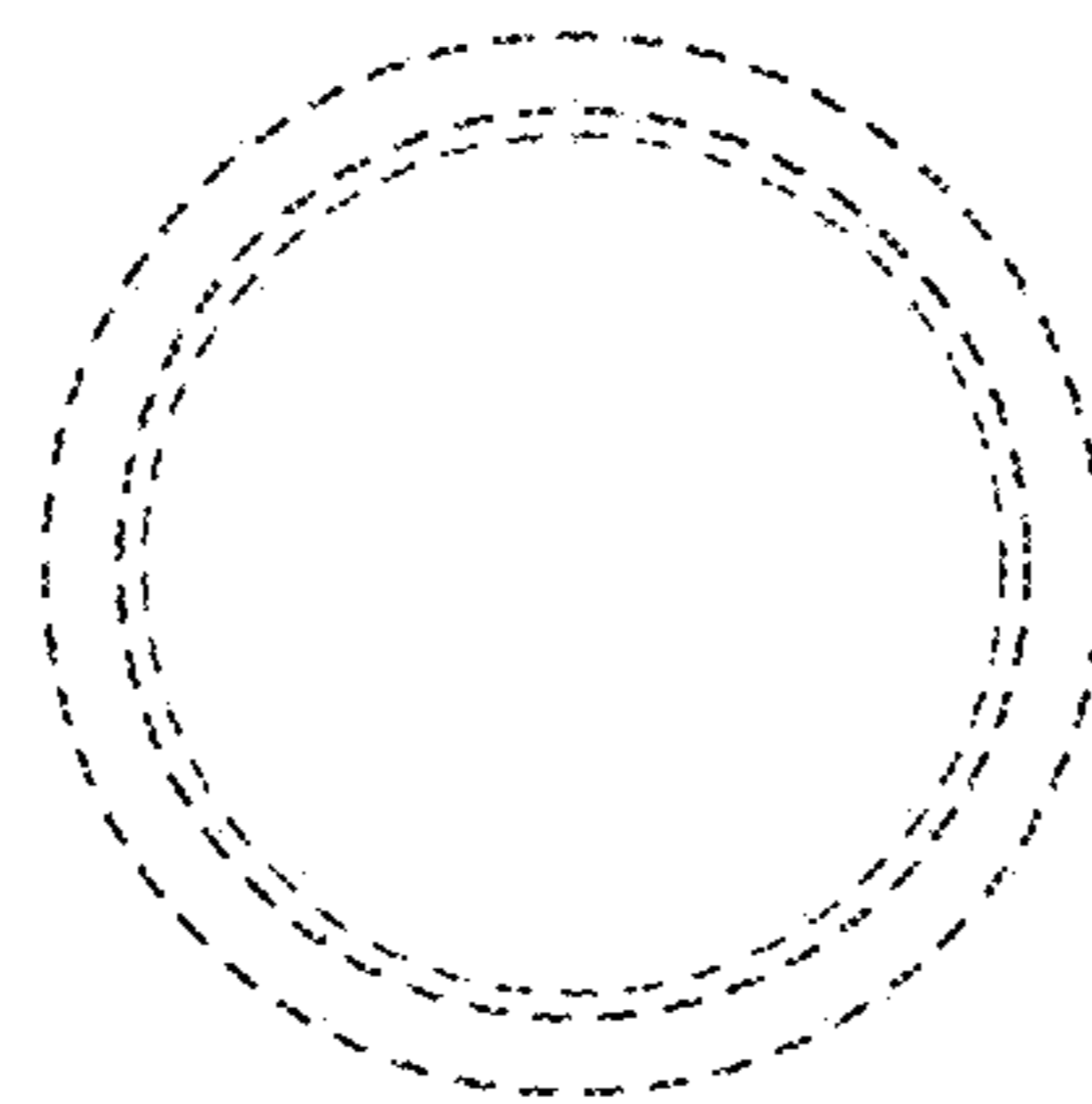


FIG. 2

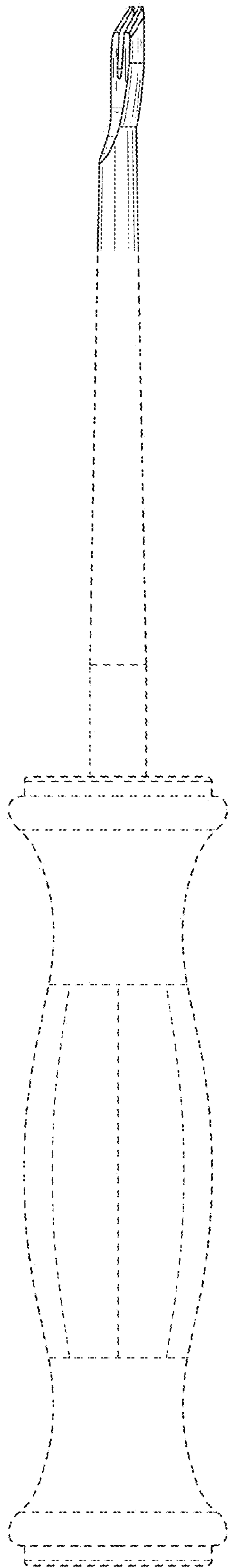


FIG. 4

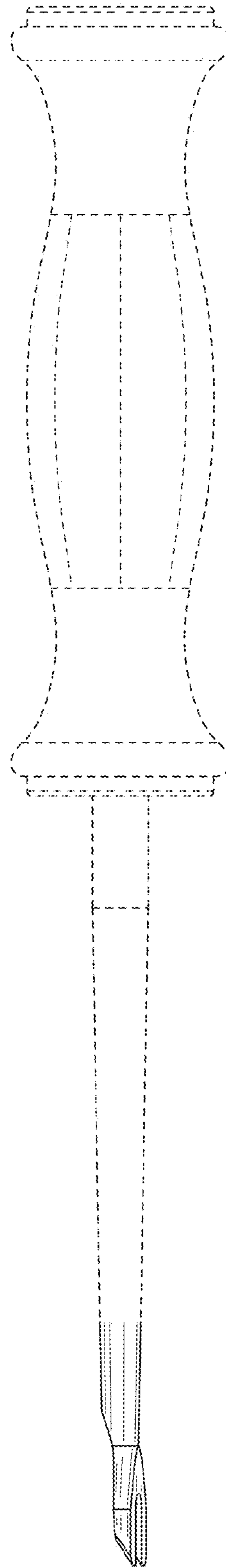


FIG. 5

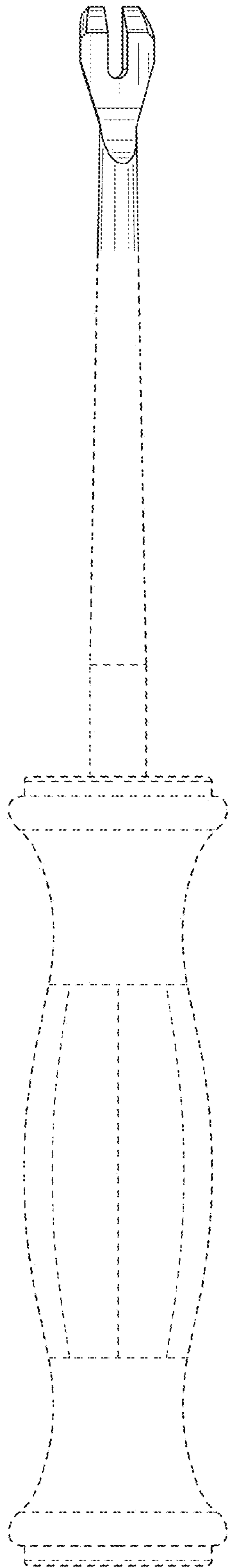


FIG. 6

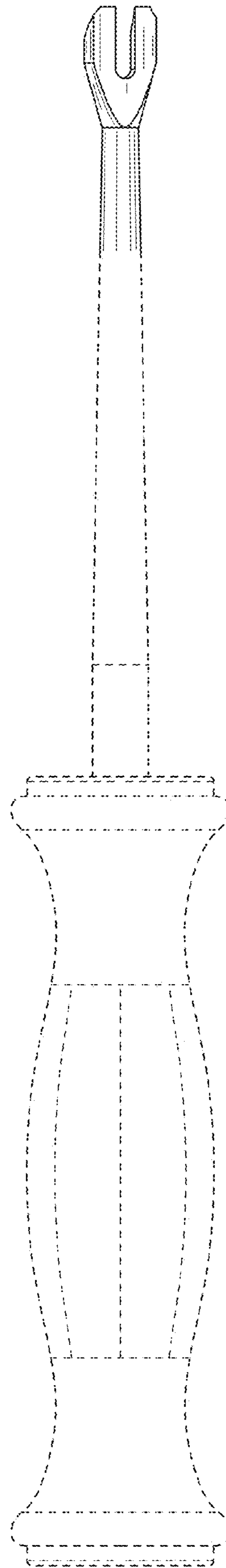


FIG. 7