



US00D911797S

(12) **United States Design Patent**
Chen

(10) **Patent No.:** **US D911,797 S**
(45) **Date of Patent:** **** Mar. 2, 2021**

(54) **ONE-HANDED PIPE WRENCH**

(71) Applicant: **JS Products, Inc.**, Las Vegas, NV (US)
(72) Inventor: **Chungeng Chen**, Las Vegas, NV (US)
(73) Assignee: **JS Products, Inc.**, Las Vegas, NV (US)
(**) Term: **15 Years**

(21) Appl. No.: **29/705,003**

(22) Filed: **Sep. 9, 2019**

(51) **LOC (13) Cl.** **08-05**

(52) **U.S. Cl.**
USPC **D8/23; D8/22**

(58) **Field of Classification Search**

USPC D8/14, 16-19, 21-29, 51, 52, 54-59;
81/125.1, 177.1, 119, 124.7, 124.3, 186,
81/431, 176.15, 461.1, 99, 98, 100, 147,
81/185.1

CPC B25B 13/14; B25B 13/06; B25B 13/04;
B25B 13/46; B25B 13/00; B25B 7/02;
B25B 13/48; B25B 13/16; B25B 13/505;
B25B 13/5058; B25B 23/0007; B25B
13/28

See application file for complete search history.

(56) **References Cited**

U.S. PATENT DOCUMENTS

542,592 A * 7/1895 Morey B25B 13/5058
81/106
706,042 A 8/1902 Fields
739,316 A 9/1903 Irland
831,750 A 9/1906 Smith
868,126 A 10/1907 Richards et al.
868,127 A 10/1907 Richards
897,665 A 9/1908 Rugg
1,382,832 A 6/1921 Hill
1,482,223 A 1/1924 Ellison
1,627,035 A 5/1927 Jahn

(Continued)

FOREIGN PATENT DOCUMENTS

CN 3460062 * 7/2005
CN 302070240 * 5/2012

(Continued)

OTHER PUBLICATIONS

Zenith Industries Store, ZN501400 RATCHET Pipe Wrench 8In, 1/8 to 3/4, Date first available Sep. 11, 2019, [online] retrieved Oct. 5, 2020, available from internet, www.amazon.com (Year: 2019).*

(Continued)

Primary Examiner — Keli L Hill

Assistant Examiner — Sara S Sahneh

(74) *Attorney, Agent, or Firm* — Weide & Miller, Ltd.

(57) **CLAIM**

The ornamental design for a one-handed pipe wrench, as shown and described.

DESCRIPTION

FIG. 1 is a front, top, right perspective view of a one-handed pipe wrench showing the new design;

FIG. 2 is a rear, top, left perspective view of the one-handed pipe wrench shown in FIG. 1;

FIG. 3 is a top view of the one-handed pipe wrench shown in FIG. 1;

FIG. 4 is a left-side view of the one-handed pipe wrench shown in FIG. 1;

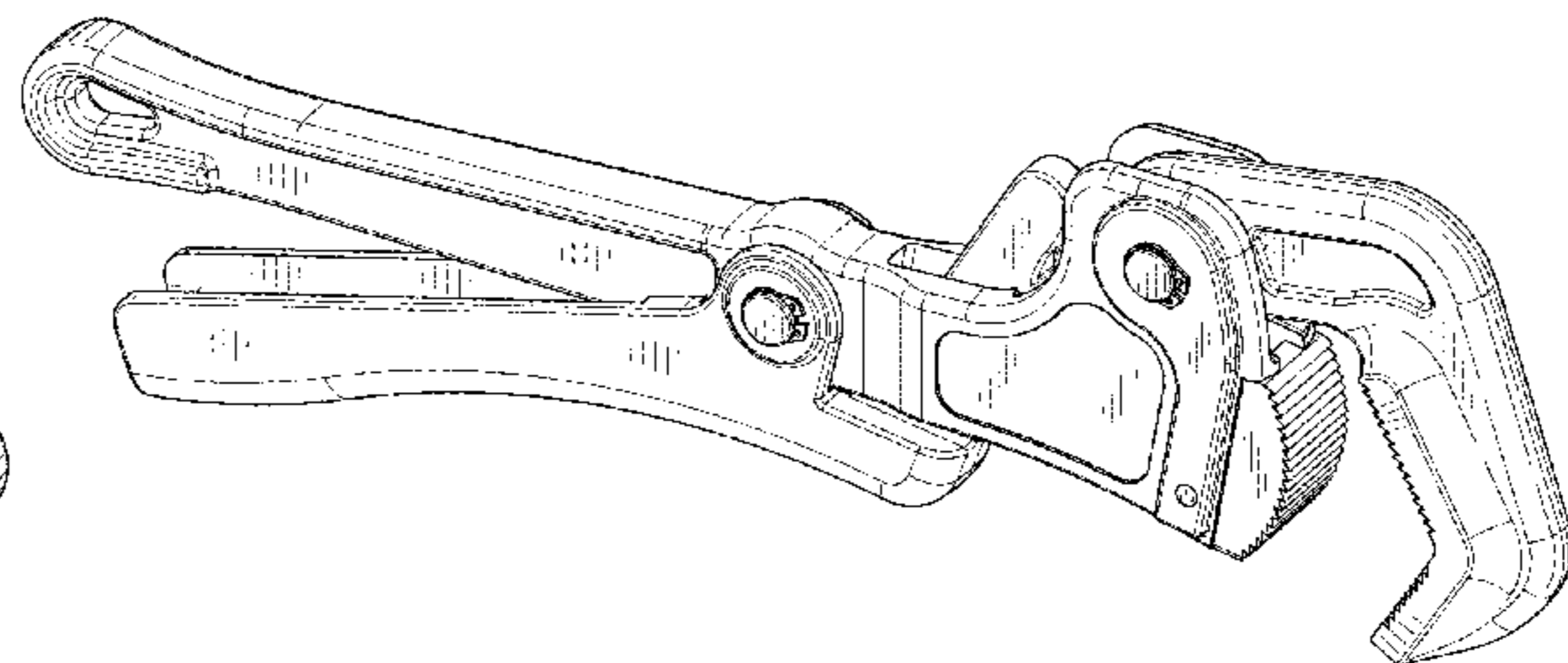
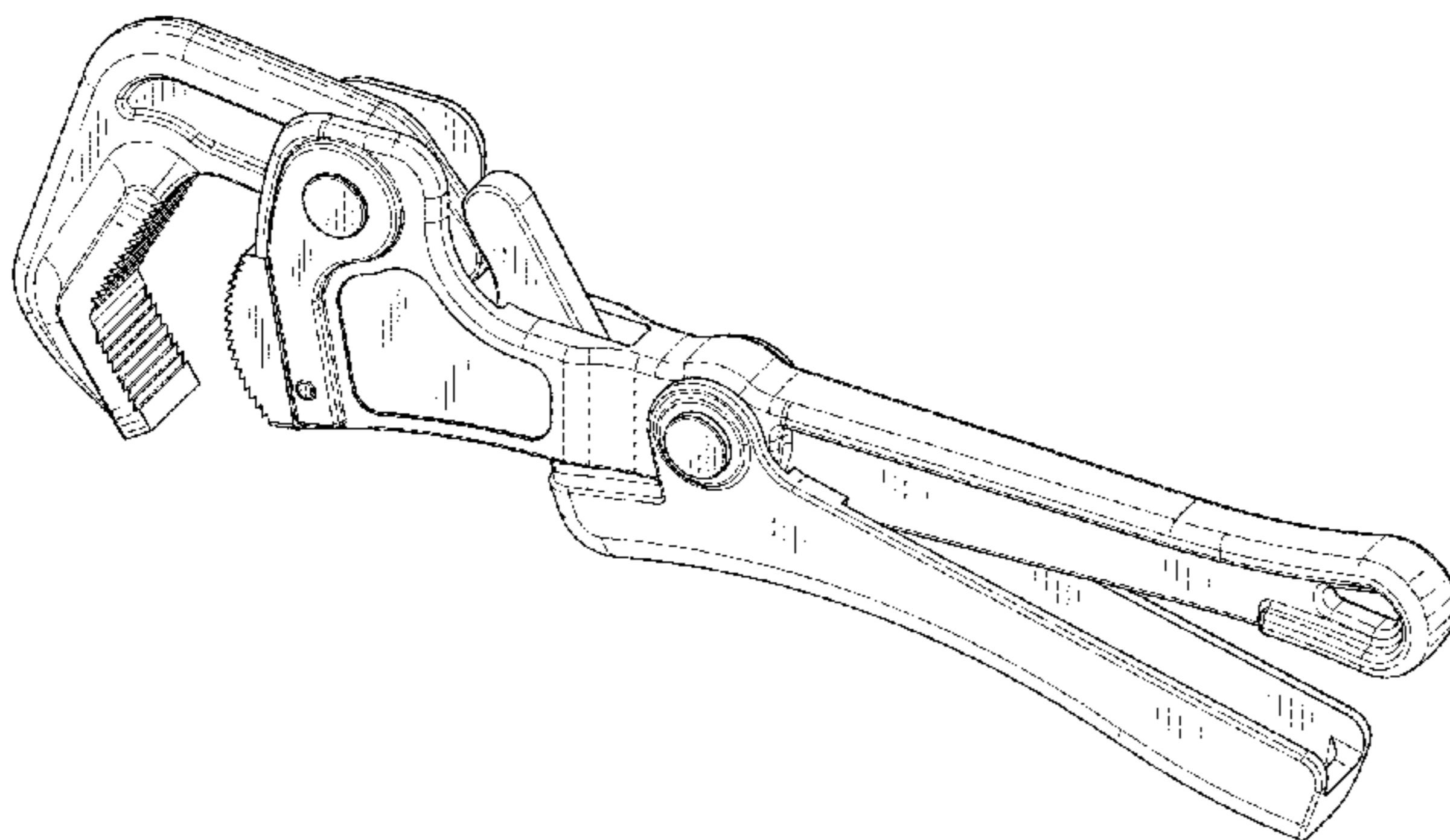
FIG. 5 is a front view of the one-handed pipe wrench shown in FIG. 1;

FIG. 6 is a right-side view of the one-handed pipe wrench shown in FIG. 1;

FIG. 7 is a rear view of the one-handed pipe wrench shown in FIG. 1; and,

FIG. 8 is a bottom view of the one-handed pipe wrench shown in FIG. 1.

1 Claim, 3 Drawing Sheets



(56)

References Cited

U.S. PATENT DOCUMENTS

1,833,790 A * 11/1931 Monzroll B25B 7/22
81/384

2,713,803 A 7/1955 Schwaiger

4,616,534 A 10/1986 Park et al.

6,155,142 A * 12/2000 Bally B25B 7/10
81/389

6,311,586 B1 11/2001 Hirse

D474,380 S * 5/2003 Chartier D8/23

6,742,419 B2 6/2004 Chartier et al.

6,971,288 B2 12/2005 Wei

7,044,030 B2 5/2006 Chartier et al.

7,096,764 B2 8/2006 Zhingang

7,143,671 B1 * 12/2006 Lai B25B 7/123
81/368

D564,848 S * 3/2008 Salazar D8/23

D571,172 S * 6/2008 Yu D8/22

7,546,784 B1 6/2009 Yu

7,882,768 B2 2/2011 Urquizu Osa

9,248,554 B2 2/2016 Cheng

D758,814 S * 6/2016 Jiang D8/22

2002/0121162 A1 * 9/2002 Dong B25B 13/28
81/99

2008/0190248 A1 * 8/2008 Urquizu Osa B25B 13/28
81/100

2009/0133540 A1 * 5/2009 Yu B25B 13/505
81/100

2010/0242686 A1 9/2010 Gower

2015/0360350 A1 12/2015 Jiang

2020/0061793 A1 * 2/2020 Chen B25B 13/14

2020/0269394 A1 * 8/2020 Chen B25B 23/16

FOREIGN PATENT DOCUMENTS

CN 305817120 * 12/2019

EM 000558564-0002 * 7/2006

EM 003124627-0001 * 5/2016

KR 300967712.0000 * 11/2017

KR 301034625.0000 * 9/2019

OTHER PUBLICATIONS

GETUHAND, 10-Inch Self-Adjusting Rapid Grip Pipe Wrench, Ratchet Plumbing Wrench, Heavy Duty Quick Multifunction Wrench Forceps for craftsma, Date first available Apr. 18, 2020, [online]retrieved Oct. 6, 2020, available from internet, www.amazon.com (Year: 2020).*

GEDORE Store, 320000 Wrench for Plumbing Fittings 275 mm, Date first available Oct. 17, 2014, [online]retrieved Oct. 6, 2020, available from internet, www.amazon.com (Year: 2014).*

* cited by examiner

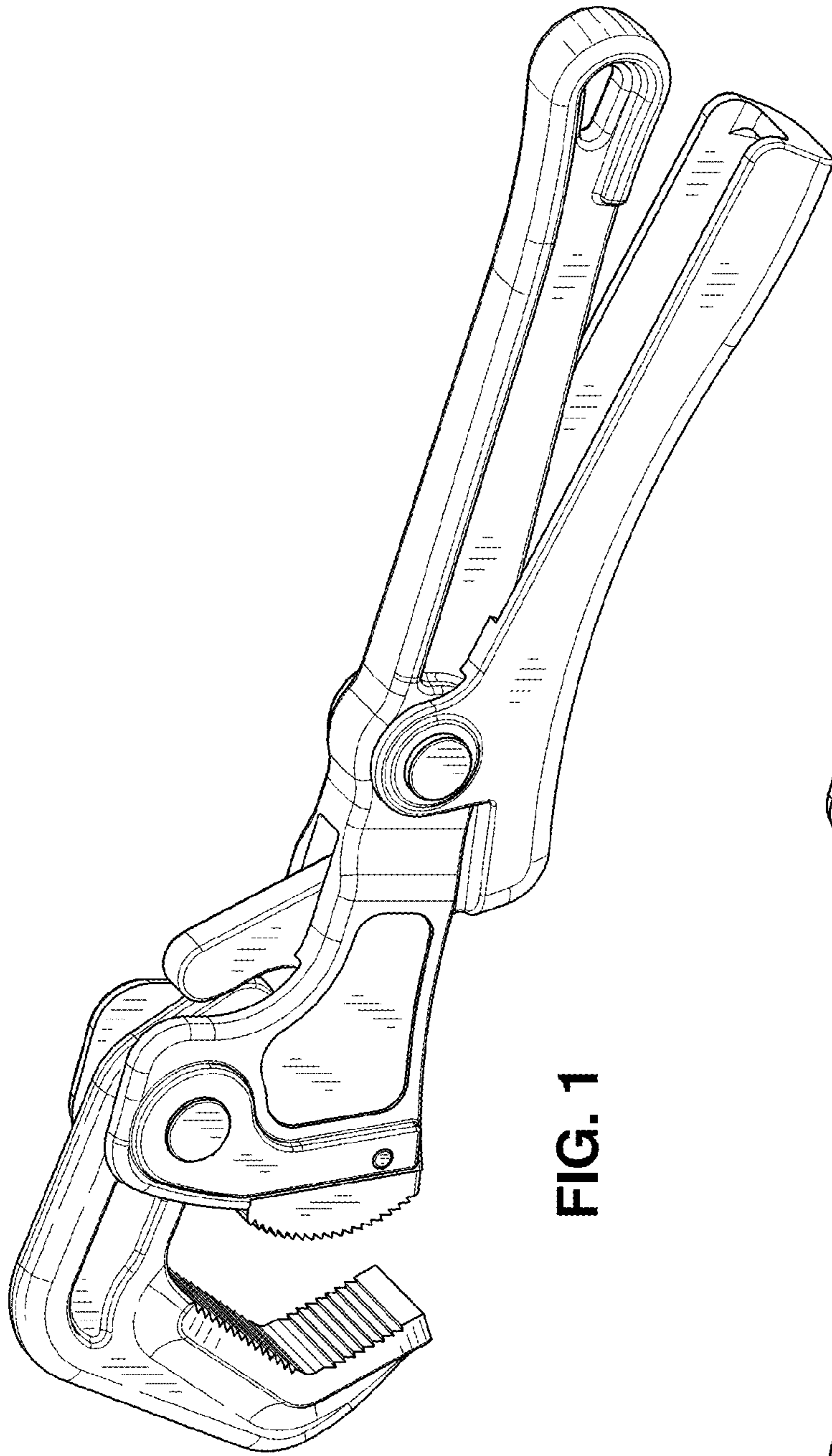


FIG. 1

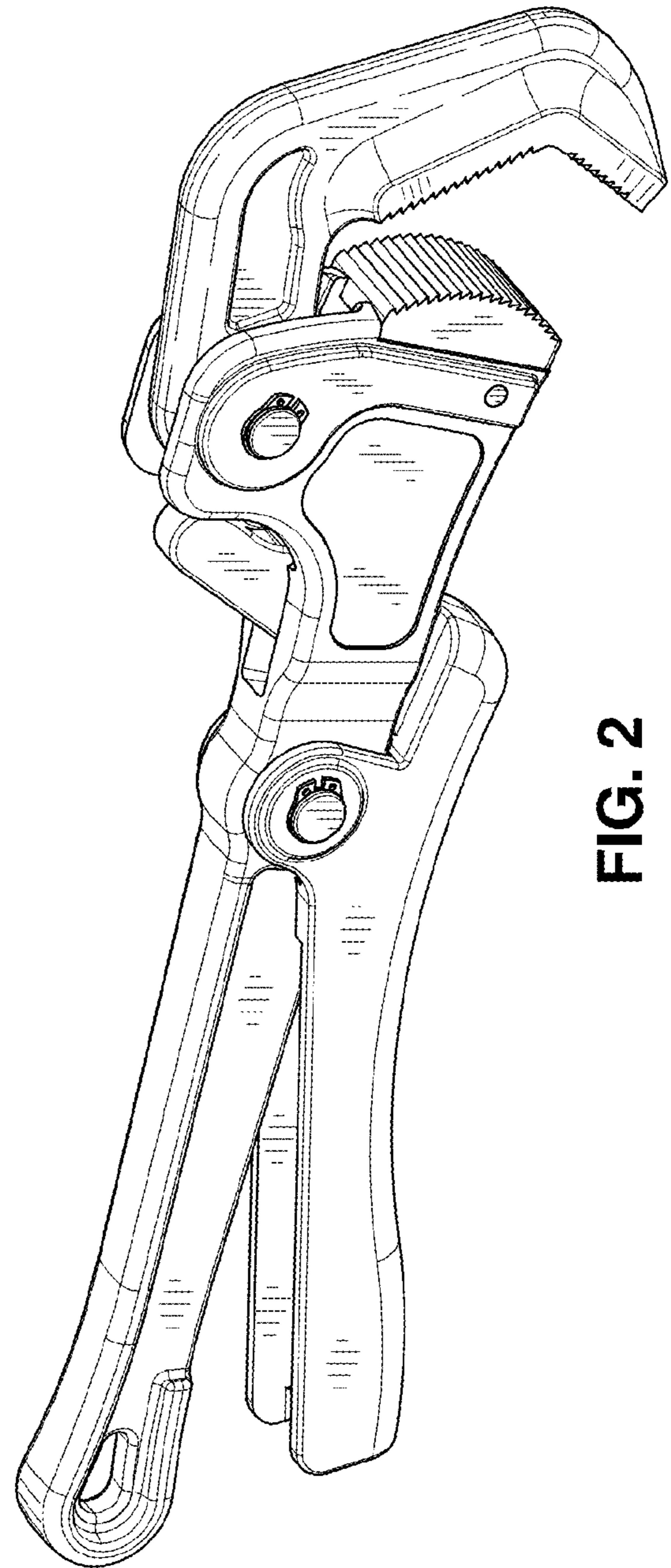


FIG. 2

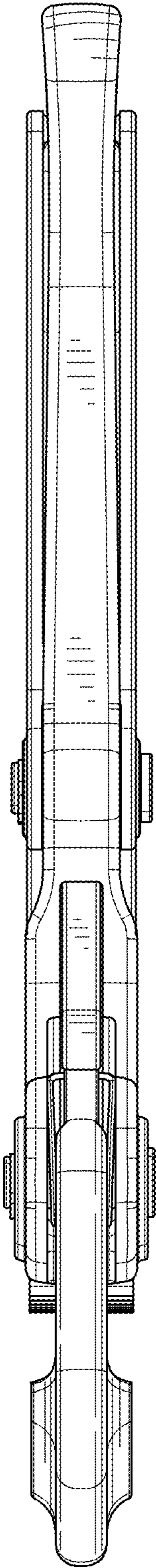


FIG. 3

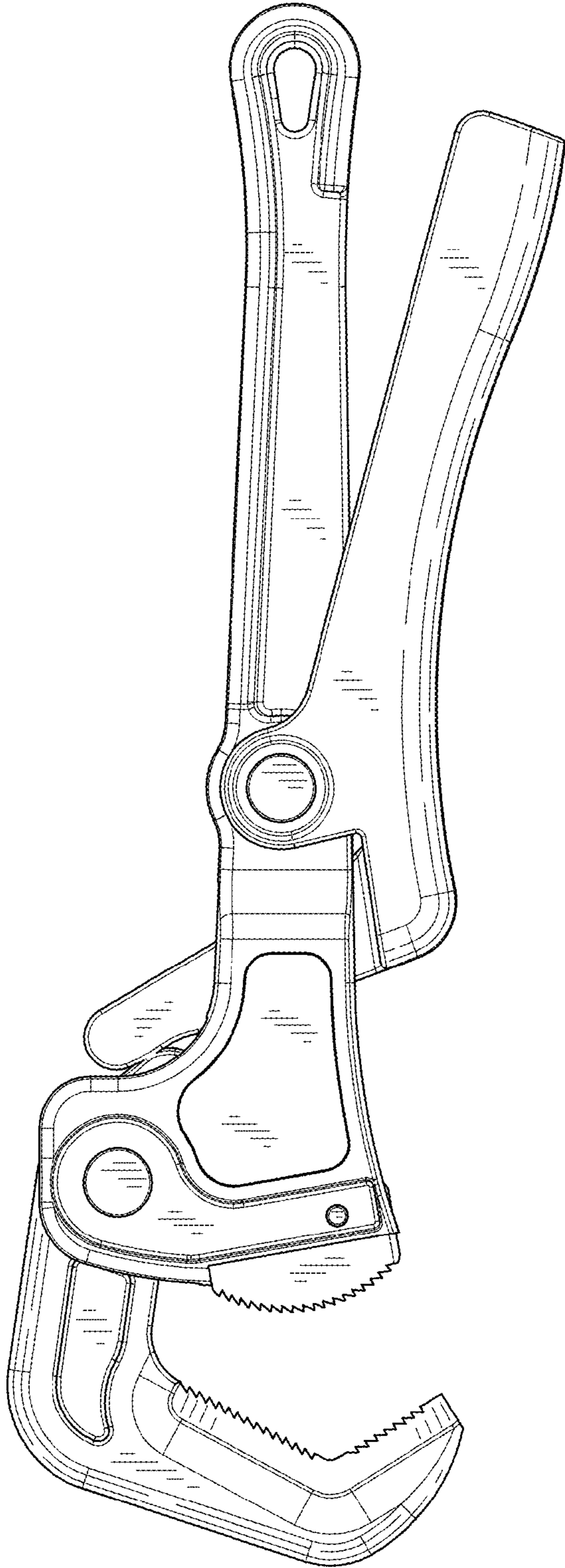


FIG. 5

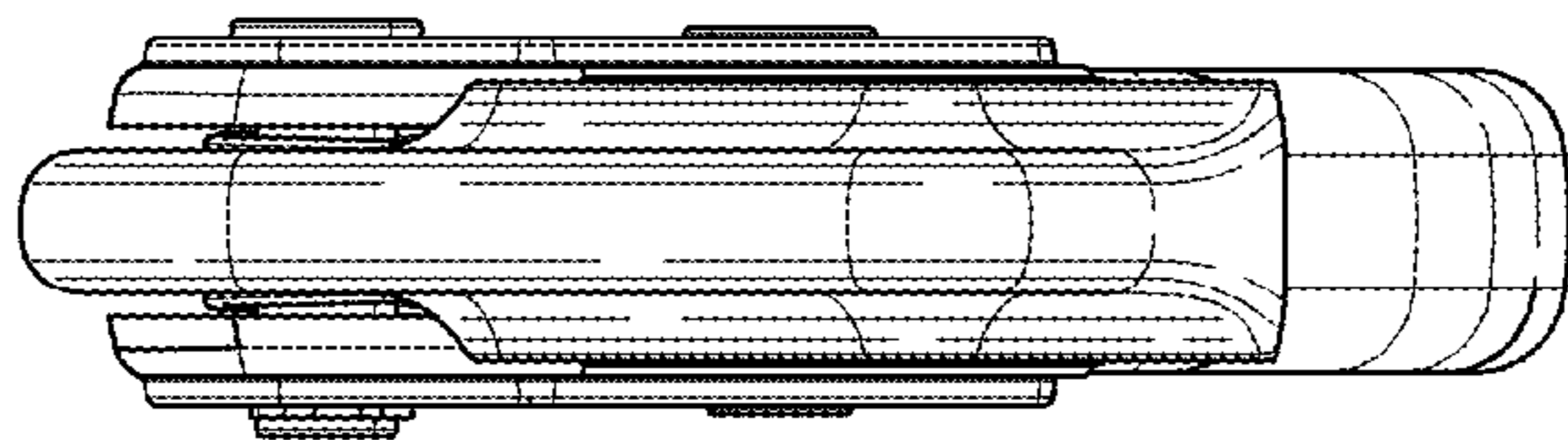


FIG. 4

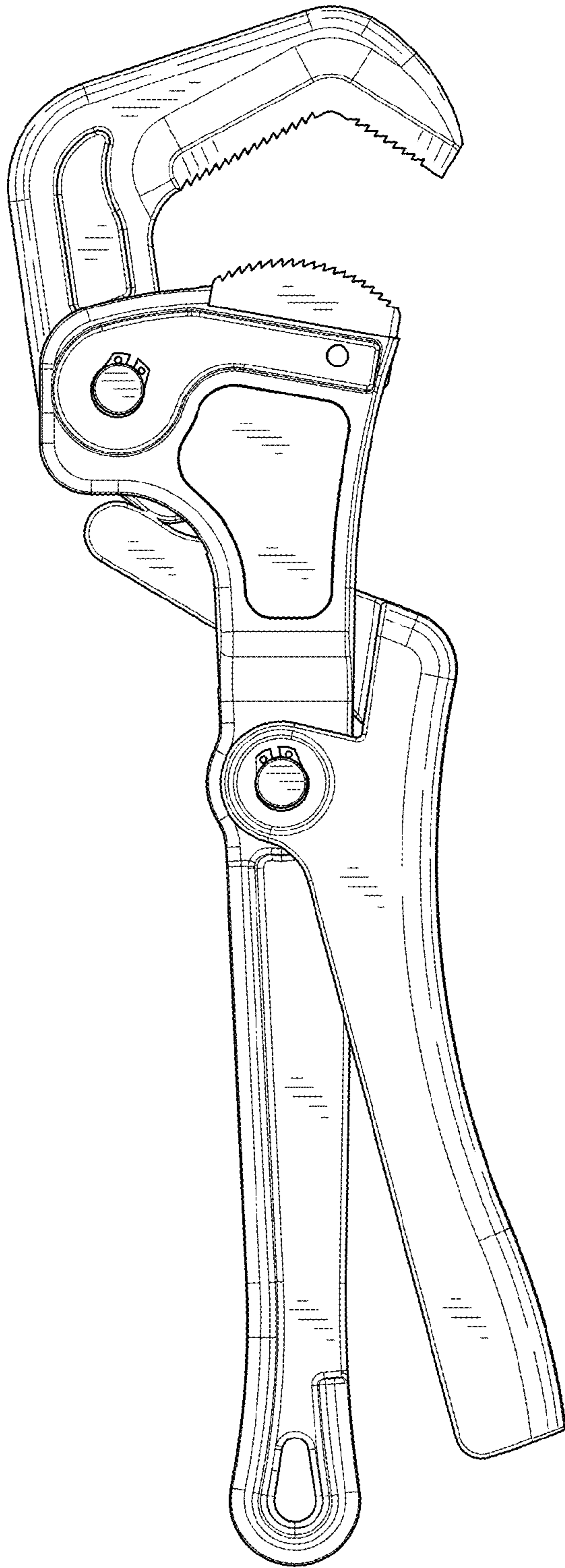


FIG. 7

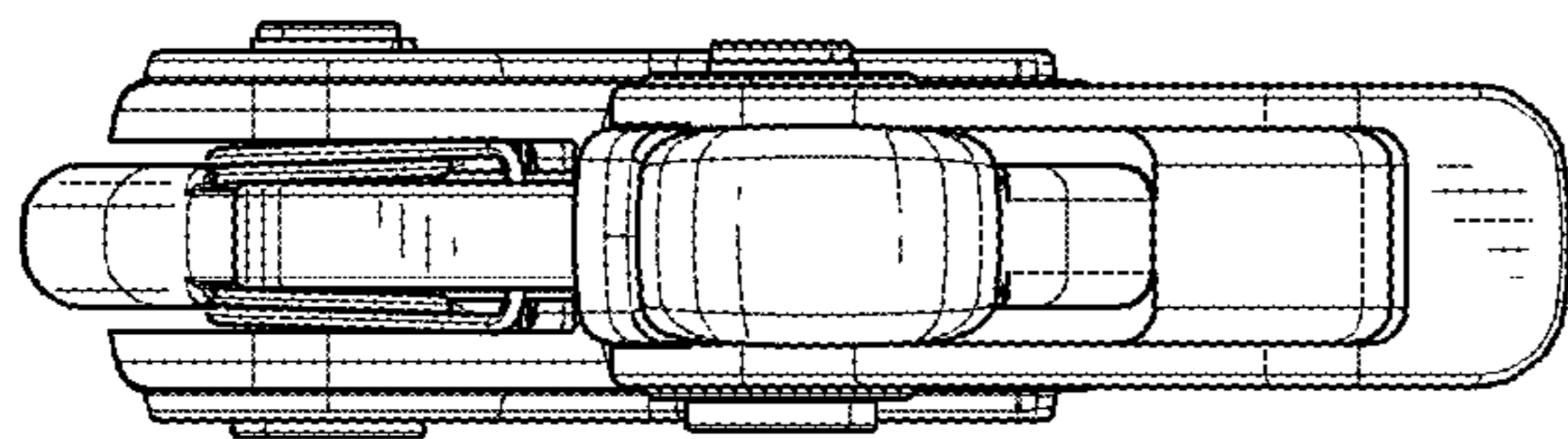


FIG. 6

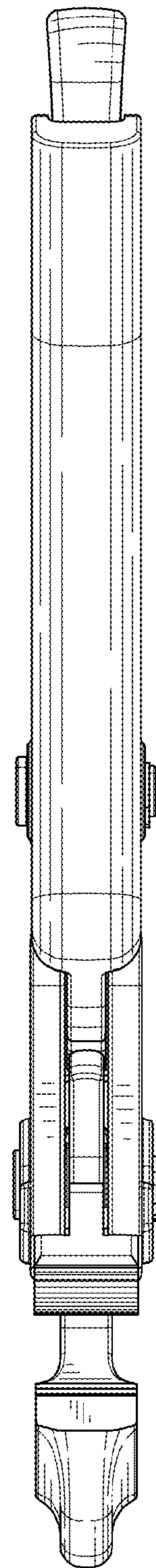


FIG. 8