



US00D911793S

(12) **United States Design Patent**
Kratish

(10) **Patent No.:** **US D911,793 S**
(45) **Date of Patent:** **** Mar. 2, 2021**

(54) **LIGHT BULB REMOVER**
(71) Applicant: **Lawrence Kratish**, Panama City, FL
(US)
(72) Inventor: **Lawrence Kratish**, Panama City, FL
(US)
(**) Term: **15 Years**
(21) Appl. No.: **29/709,974**

6,739,219 B1 * 5/2004 Cuevas B25B 9/00
81/452
7,270,031 B1 * 9/2007 Huls H01J 9/003
81/436
D664,011 S * 7/2012 Affonso D7/665
9,070,544 B1 * 6/2015 Shaps H01J 9/003
9,093,241 B1 * 7/2015 Gatski H01J 9/003
D811,835 S * 3/2018 Katzmann D8/14
D817,124 S * 5/2018 Gurwicz D8/14
D836,409 S * 12/2018 Silsby D7/665
D873,082 S * 1/2020 Barbu D7/602
2010/0024606 A1 * 2/2010 Becker H01K 3/32
81/53.11

(22) Filed: **Oct. 18, 2019**
(51) **LOC (13) Cl.** **08-05**
(52) **U.S. Cl.**
USPC **D8/14**
(58) **Field of Classification Search**
USPC D8/14, 47, 51, 70, 98; D7/665
CPC H01J 9/003; H01K 3/32
See application file for complete search history.

* cited by examiner

Primary Examiner — Philip S Hyder
(74) *Attorney, Agent, or Firm* — Laurence A. Greenberg;
Werner H. Stemer; Ralph E. Locher

(56) **References Cited**

U.S. PATENT DOCUMENTS

2,117,017 A * 5/1938 Chadsey H01K 3/32
81/53.11
D297,499 S * 9/1988 Whitney 81/53.11
5,317,939 A * 6/1994 Marinescu H01K 3/32
294/100
5,440,867 A * 8/1995 Strus A01D 46/253
56/332
5,490,438 A * 2/1996 Zupo H01J 3/32
81/448
5,829,324 A * 11/1998 Secor H01K 3/32
81/53.11

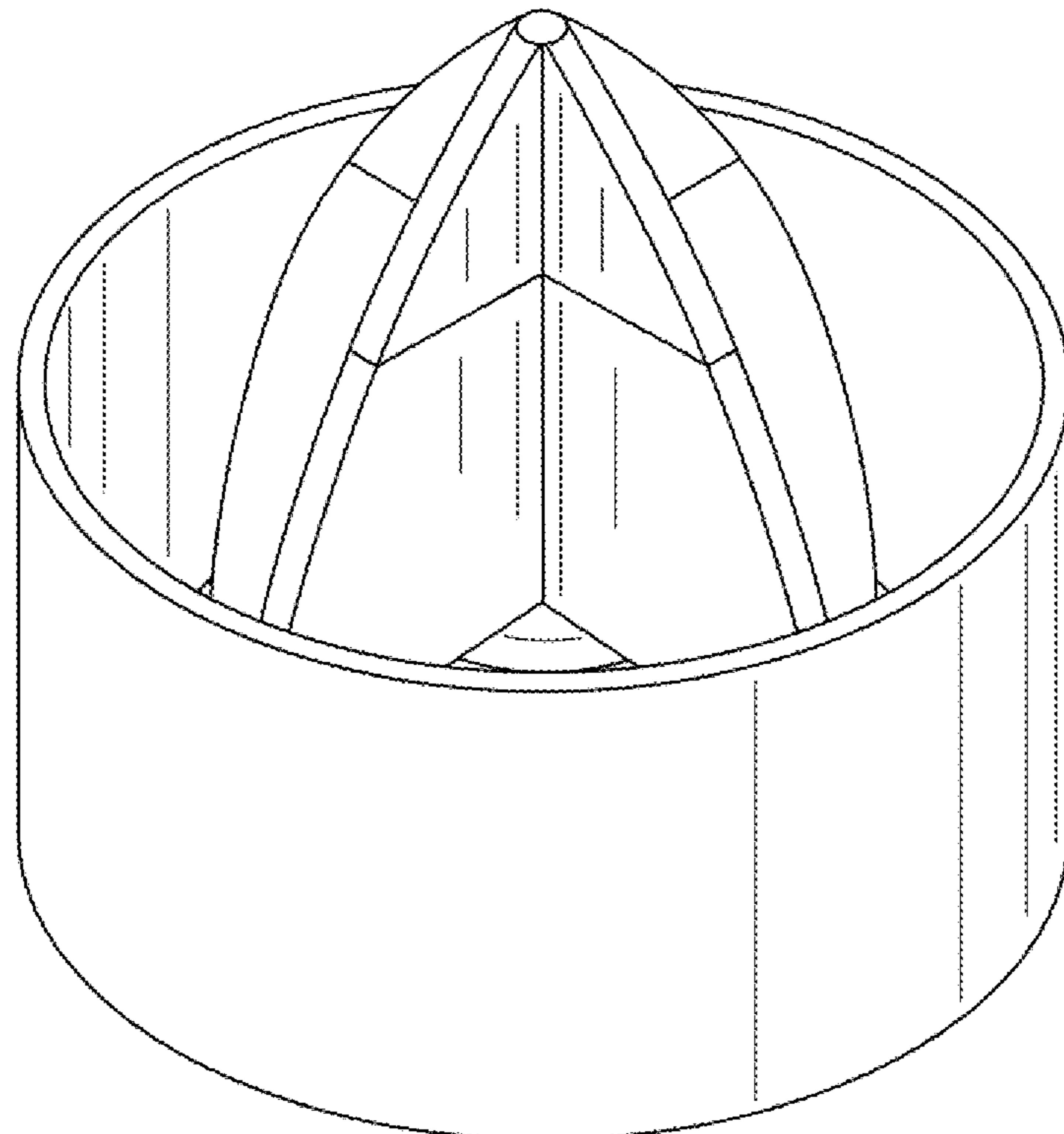
(57) **CLAIM**

The ornamental design for a light bulb remover, as shown and described.

DESCRIPTION

FIG. 1 is a perspective view of a light bulb remover showing my new invention;
FIG. 2 is a top plan view thereof;
FIG. 3 is bottom plan view thereof;
FIG. 4 is a right-side view thereof;
FIG. 5 is a sectional view thereof; and,
FIG. 6 is a left side view thereof.

1 Claim, 2 Drawing Sheets



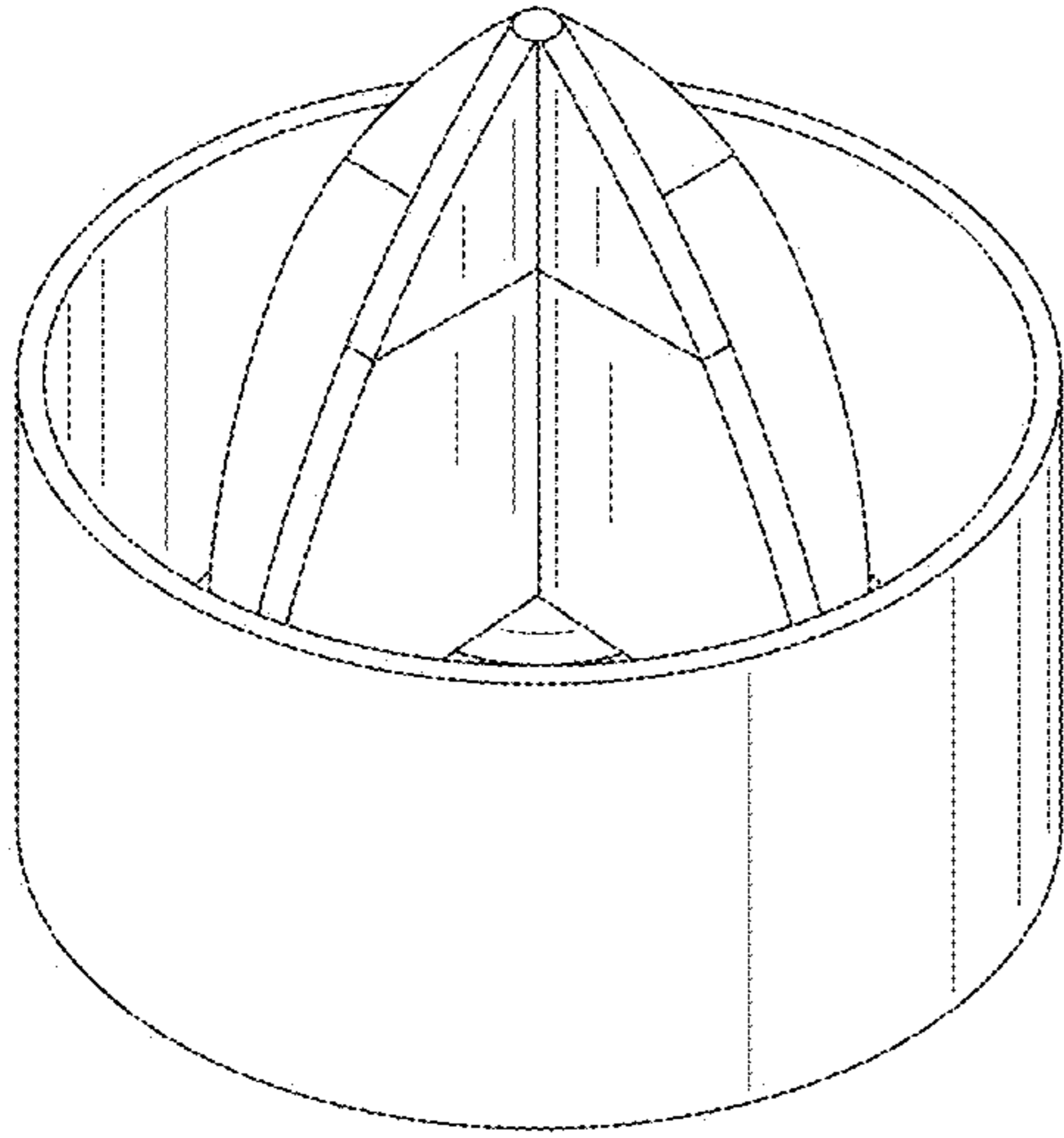


Fig. 1

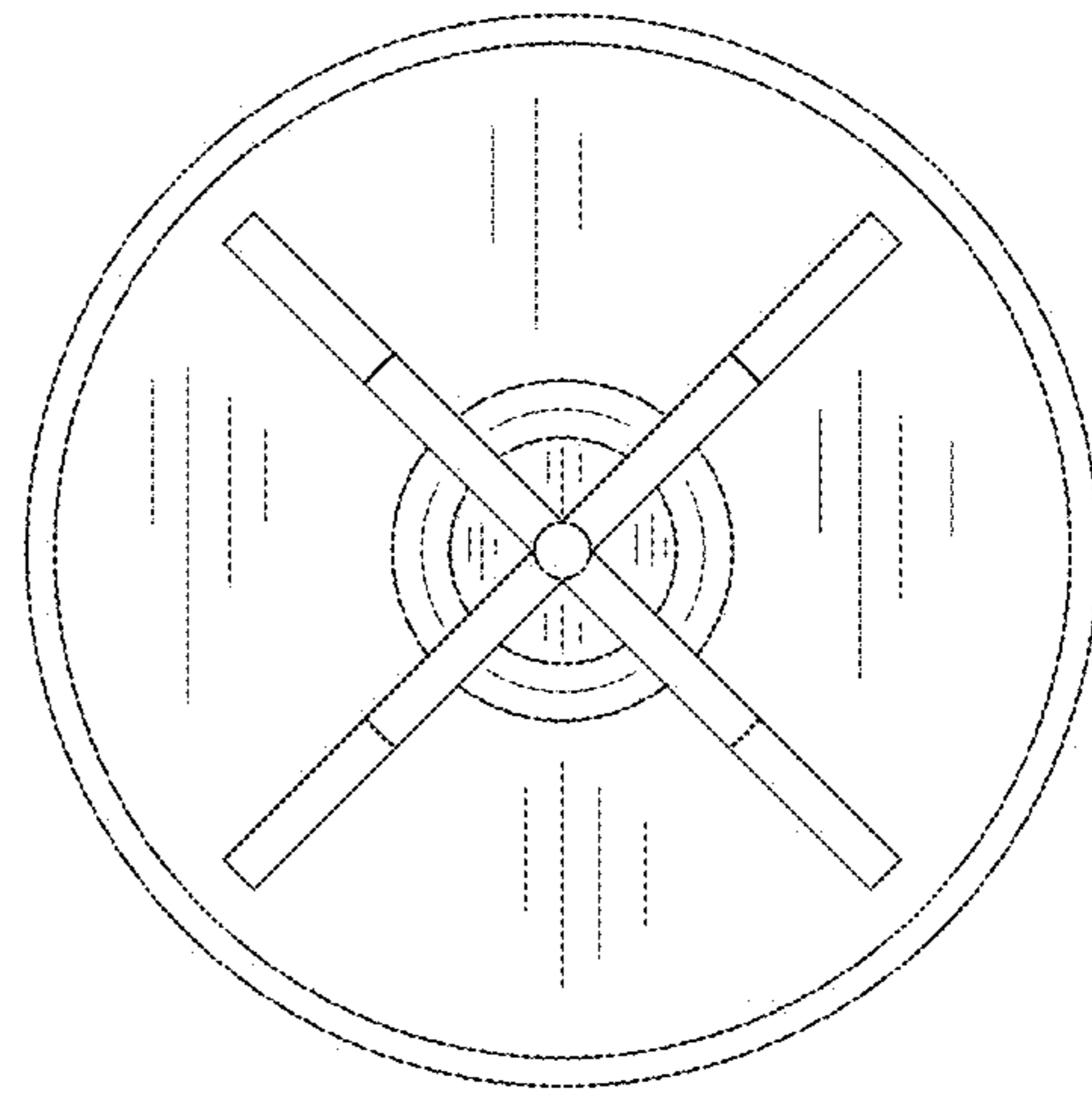


Fig. 2

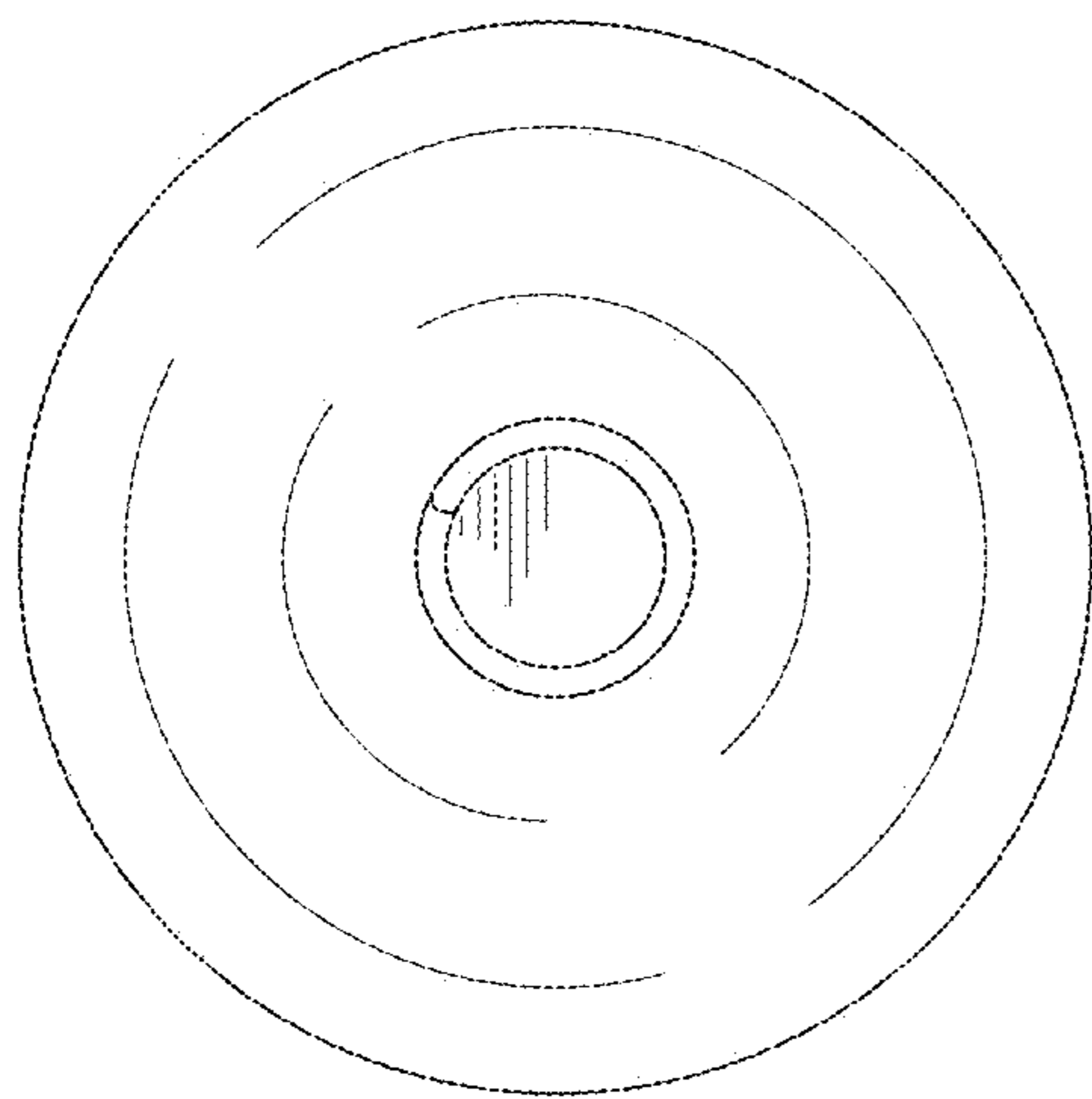


Fig. 3

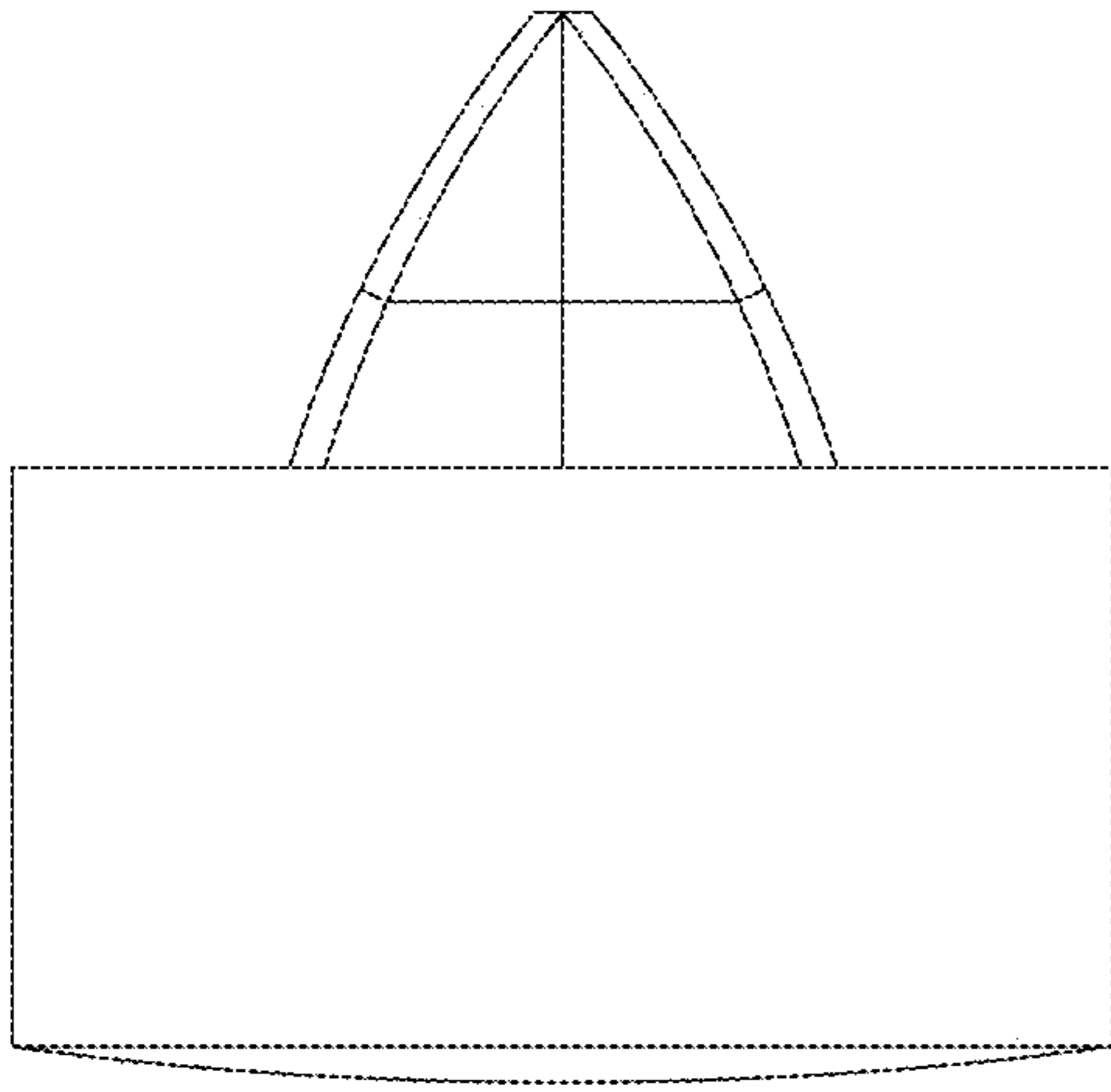


Fig. 4

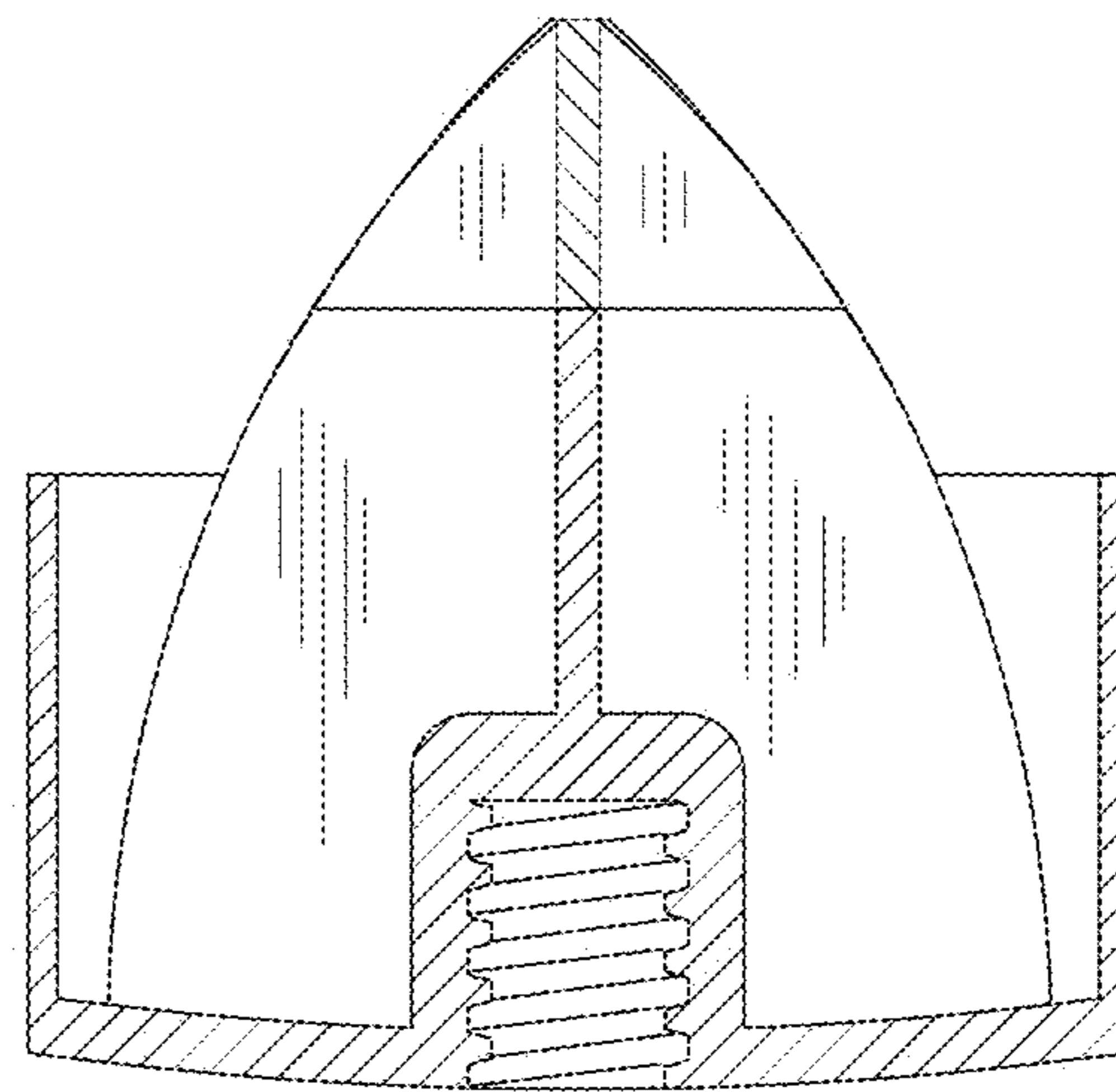


Fig. 5

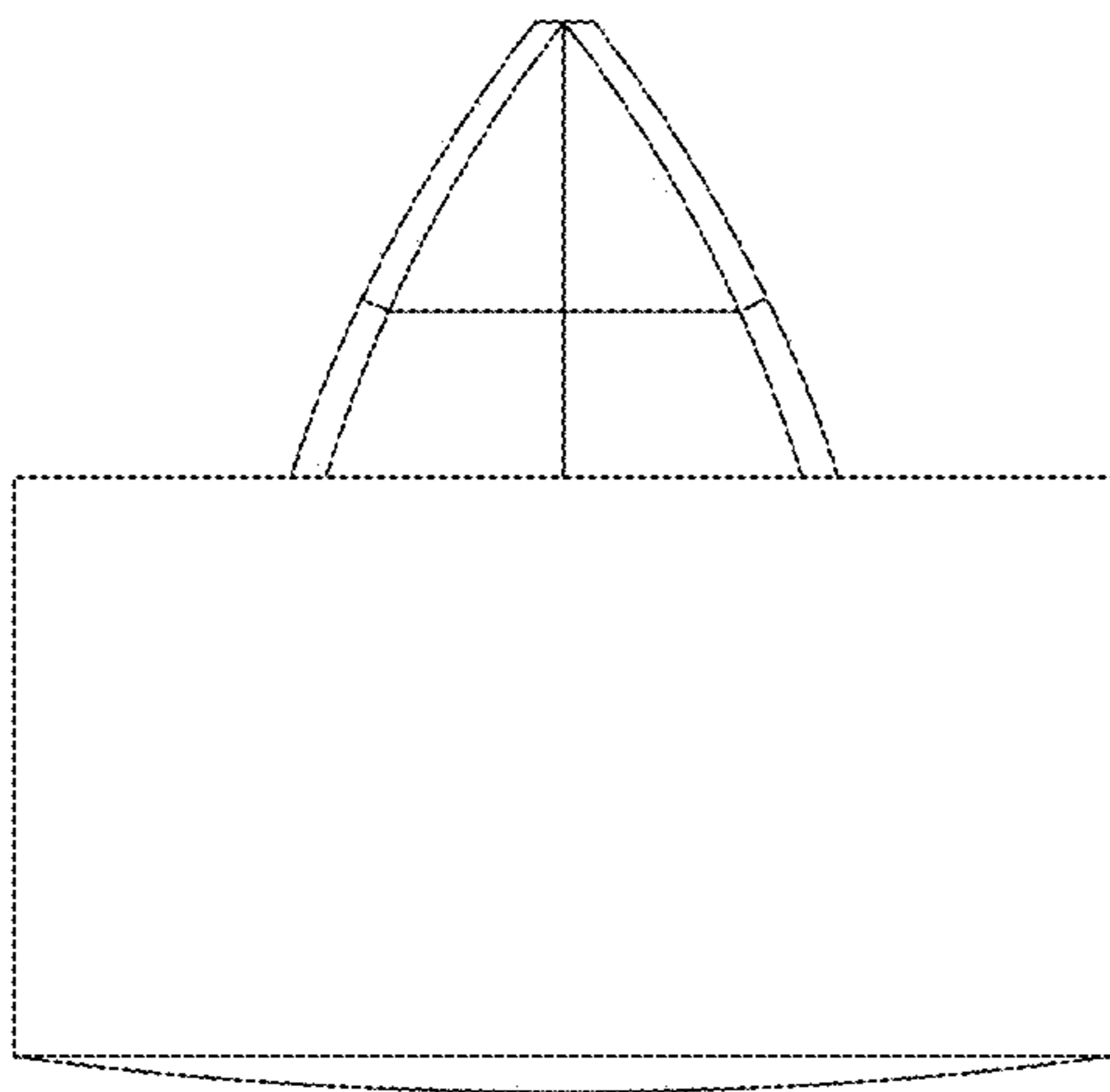


Fig. 6