



US00D911791S

(12) **United States Design Patent** (10) **Patent No.:** **US D911,791 S**  
**Xie** (45) **Date of Patent:** **\*\* Mar. 2, 2021**

(54) **WINE RACK**

(71) Applicant: **Jingxian Xie**, Issaquah, WA (US)

(72) Inventor: **Jingxian Xie**, Issaquah, WA (US)

(\*\*) Term: **15 Years**

(21) Appl. No.: **29/633,854**

(22) Filed: **Jan. 16, 2018**

D541,605 S	5/2007	Chen	
D544,792 S *	6/2007	Camarella .....	D9/434
D559,679 S *	1/2008	Findon .....	D9/434
D571,138 S *	6/2008	Riley .....	D6/552
D612,691 S *	3/2010	Barnes, Jr. ....	D7/620
D616,271 S	5/2010	Goodman et al.	
D624,406 S *	9/2010	Cronican .....	D9/434
D628,451 S *	12/2010	Nodolf .....	D6/300
D631,714 S	2/2011	Chen	
D662,434 S *	6/2012	Hill .....	D11/26
D682,094 S *	5/2013	Lester, III .....	D9/434
D703,040 S *	4/2014	White .....	D9/434

(Continued)

**Related U.S. Application Data**

(63) Continuation of application No. 29/575,623, filed on Aug. 26, 2016, now Pat. No. Des. 811,178.

(51) **LOC (13) Cl.** ..... **07-06**

(52) **U.S. Cl.**  
USPC ..... **D7/708**; D7/602

(58) **Field of Classification Search**  
USPC ..... D7/601, 602, 609, 619.1, 620, 624.1,  
D7/701-704, 707, 708; D9/414-416,  
D9/418, 434, 499, 427, 428, 443,  
D9/455-457, 753; D3/313; D6/552, 672;  
D11/3, 4; D32/58  
CPC ..... A47B 73/002  
See application file for complete search history.

(56) **References Cited**

**U.S. PATENT DOCUMENTS**

D262,417 S *	12/1981	Kim .....	D11/79
D334,316 S *	3/1993	Daniel .....	D6/315
D334,500 S *	4/1993	LaLonde .....	D6/526
D356,002 S *	3/1995	Morgan .....	D6/552
D380,920 S *	7/1997	Uffner .....	D6/552
D466,014 S *	11/2002	Le Roux .....	D9/434
D467,127 S	12/2002	Wright	
D472,432 S	4/2003	Goodman et al.	
D487,862 S *	3/2004	Tincher .....	D7/620
D512,307 S *	12/2005	Ahrens .....	D9/434
6,991,117 B2 *	1/2006	McCain .....	A47B 73/002

211/75

**OTHER PUBLICATIONS**

YouTube. Wine Rack Innovation De Vine HeARTist Studio, LLC by HeARTist Studio. Jul. 23, 2018. <https://www.youtube.com/watch?v=hoJP0X4iLOQ> (Year: 2018).\*

(Continued)

*Primary Examiner* — Darcey E Gottschalk  
(74) *Attorney, Agent, or Firm* — Davis Wright Tremaine LLP

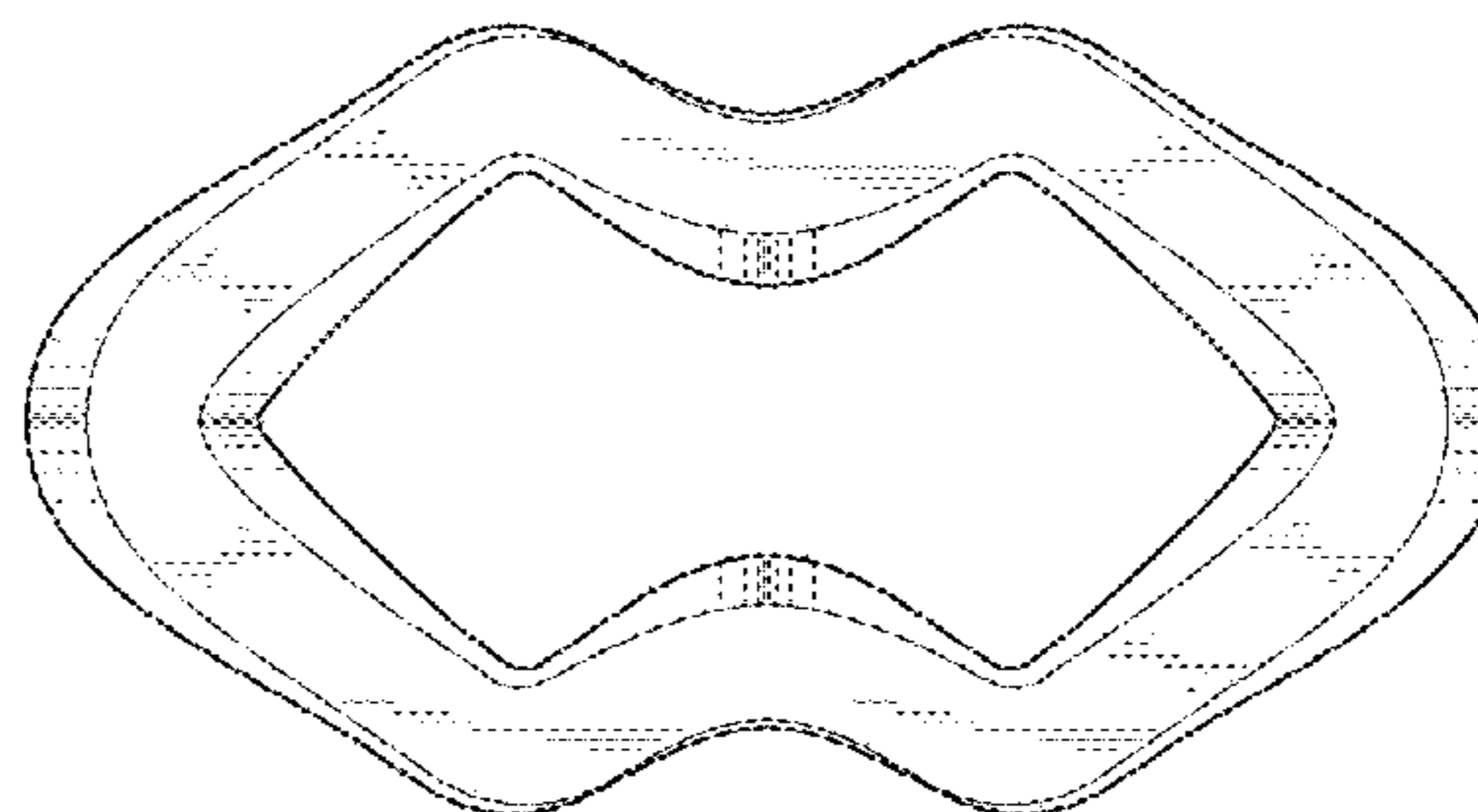
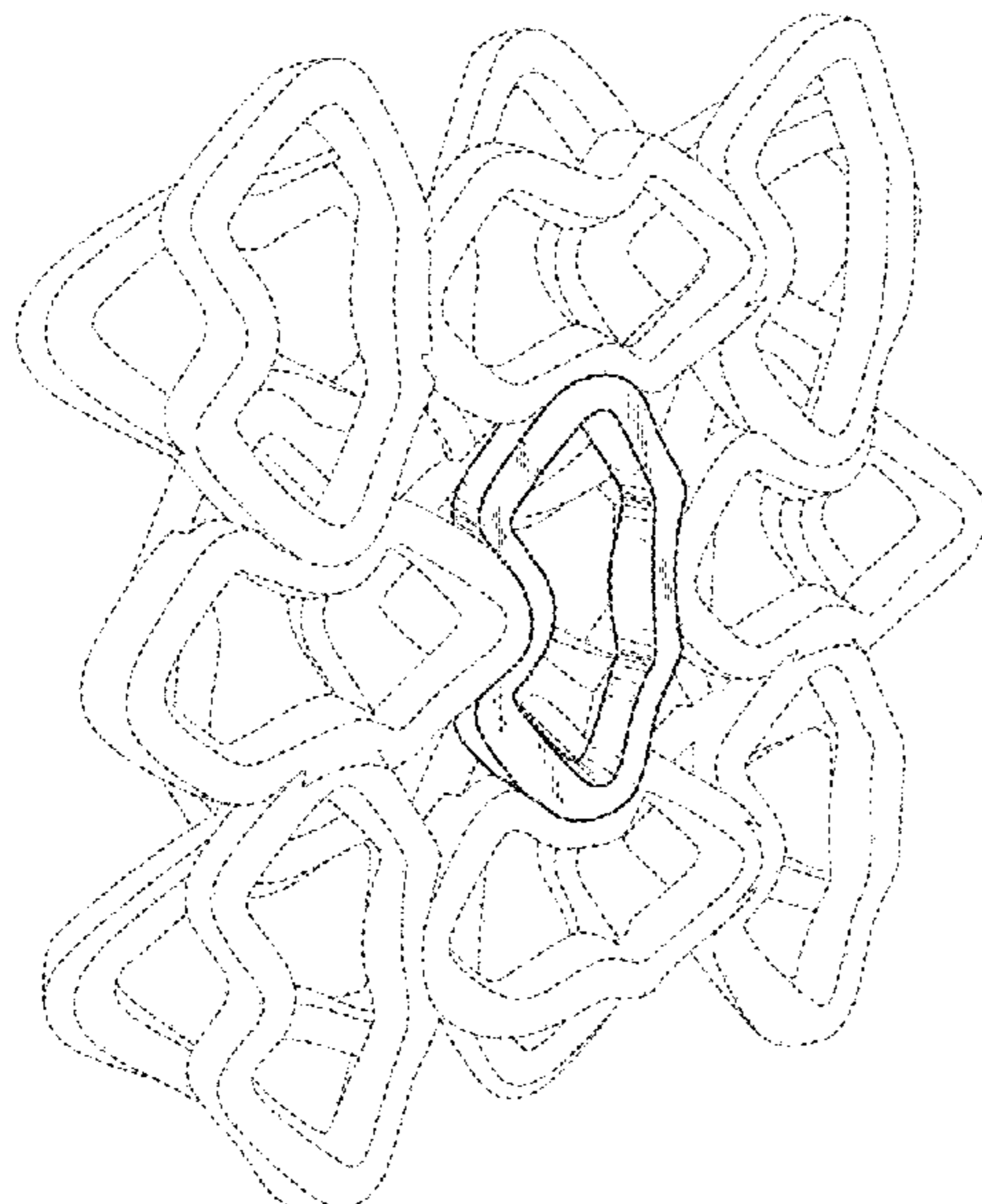
(57) **CLAIM**

The ornamental design for a wine rack, as shown and described.

**DESCRIPTION**

FIG. 1 is a perspective view of the wine rack;  
FIG. 2 is a front view thereof;  
FIG. 3 is a rear view thereof;  
FIG. 4 is front view of the wine rack shown removed for clarity of disclosure;  
FIG. 5 is rear view thereof;  
FIG. 6 is a first side view thereof; and,  
FIG. 7 is a second side view thereof.  
Any details shown in broken lines form no part of the claimed design.

**1 Claim, 5 Drawing Sheets**



(56)

**References Cited**

U.S. PATENT DOCUMENTS

D742,776 S	*	11/2015	Guichot .....	D11/27
D750,447 S	*	3/2016	Tincher .....	D7/620
D772,017 S	*	11/2016	Tsai .....	D7/409
D778,198 S	*	2/2017	Verdeille .....	D11/4
D789,757 S	*	6/2017	Phillips .....	D7/704
D801,724 S	*	11/2017	Atkins .....	D6/552
D811,178 S	*	2/2018	Xie .....	D7/708
D831,437 S	*	10/2018	Boyden .....	D7/620

OTHER PUBLICATIONS

HeARTist Studio. De Vine. No date specified. <http://www.heartiststudio.com/product/de-vine/> (Year: 0).\*

"Small Flames Wine Rack," Home Portfolio, copyright 1997-2017 [retrieved Jul. 18, 2017], <http://www.homeportfolio.com/catalog/Product.jhtml?prodId=115001>, two pages.

"Stainless Steel Wine Racks & Cabinets," Wayfair, copyright 2002-2007 [retrieved Jul. 18, 2017], <https://www.wayfair.com/kitchen-tabletop/sb1/stainless-steel-wine-racks-cabinets-c413237-a6766-274876.html>, eight pages.

\* cited by examiner

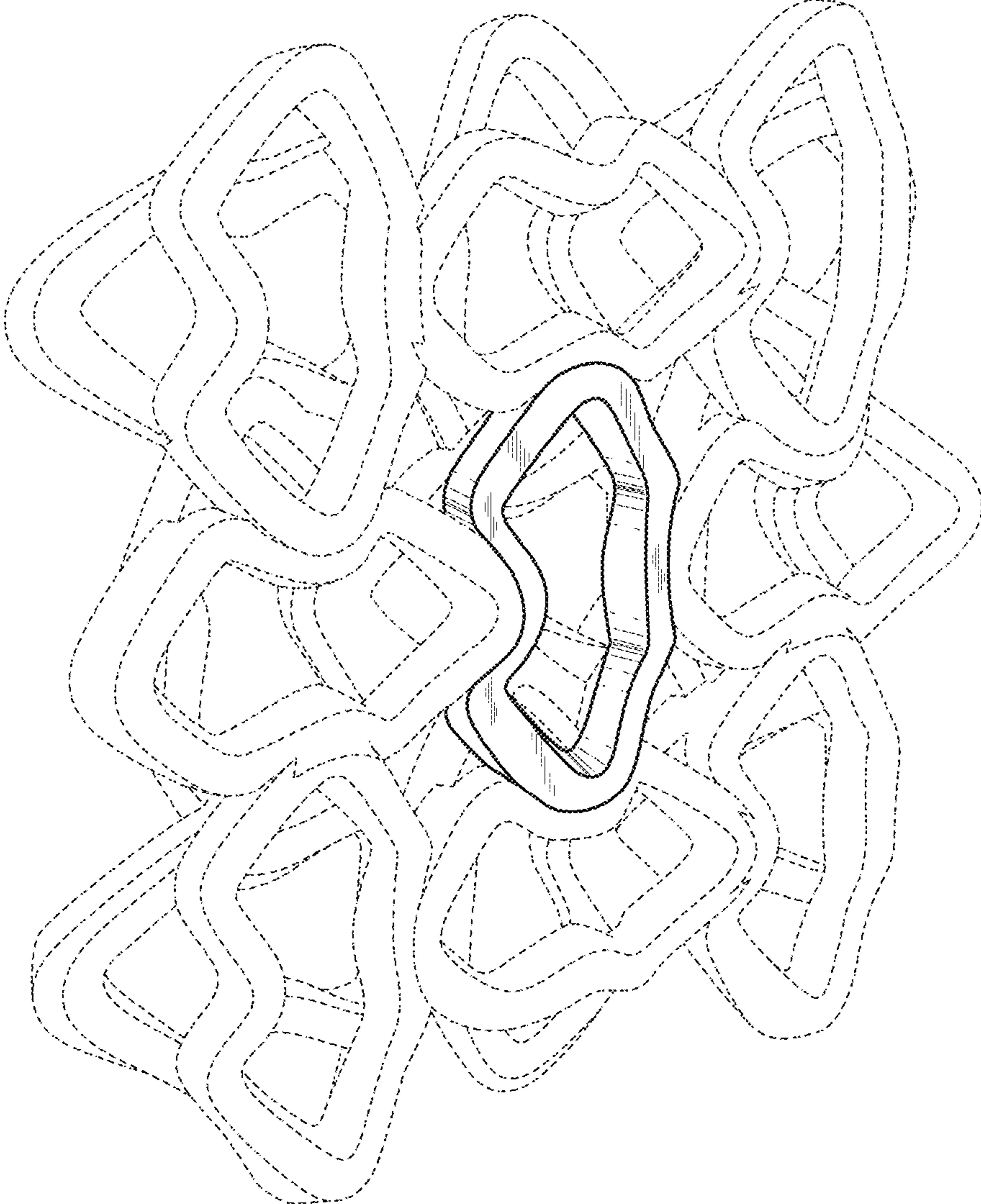


Fig. 1

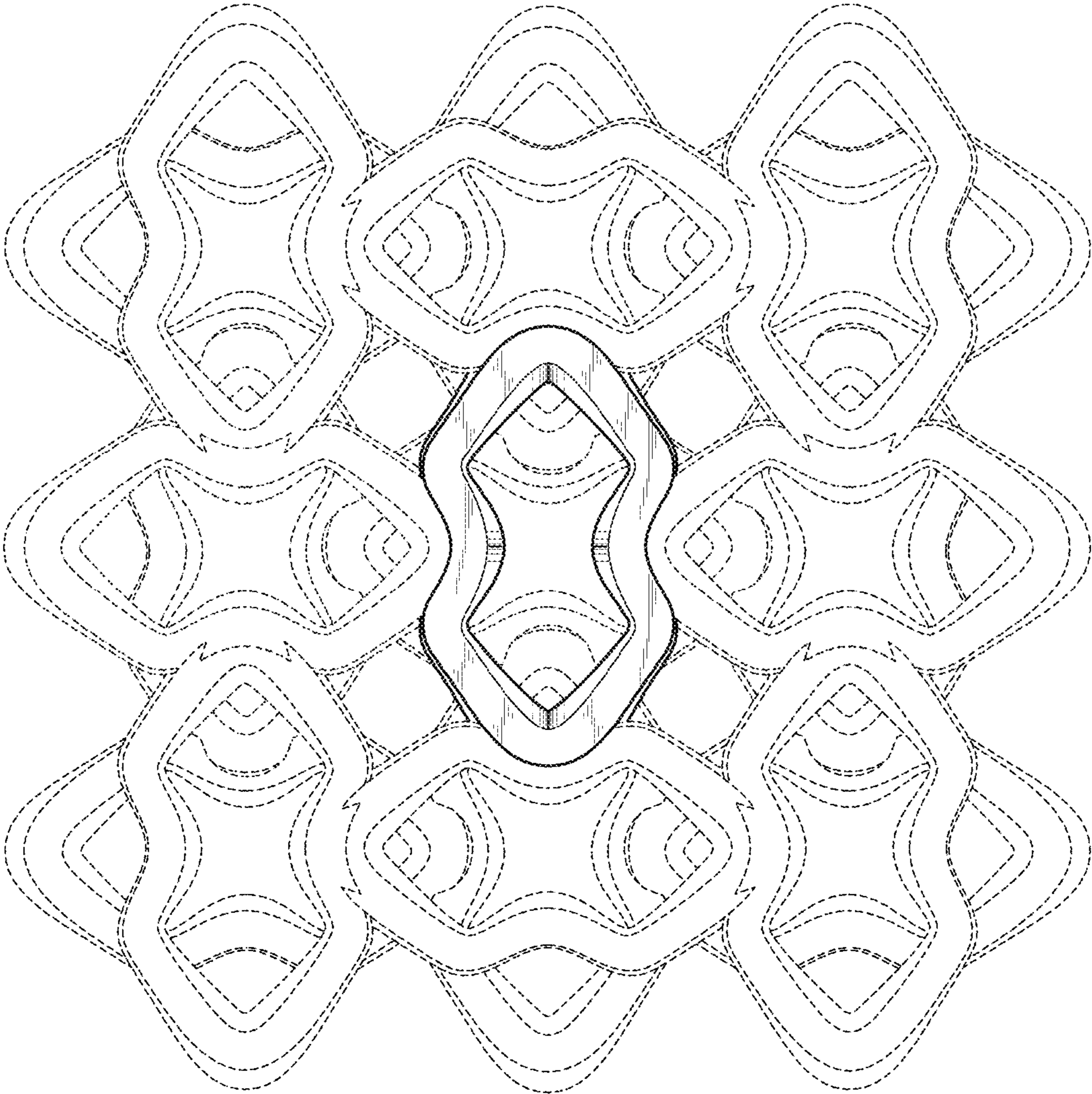


Fig. 2

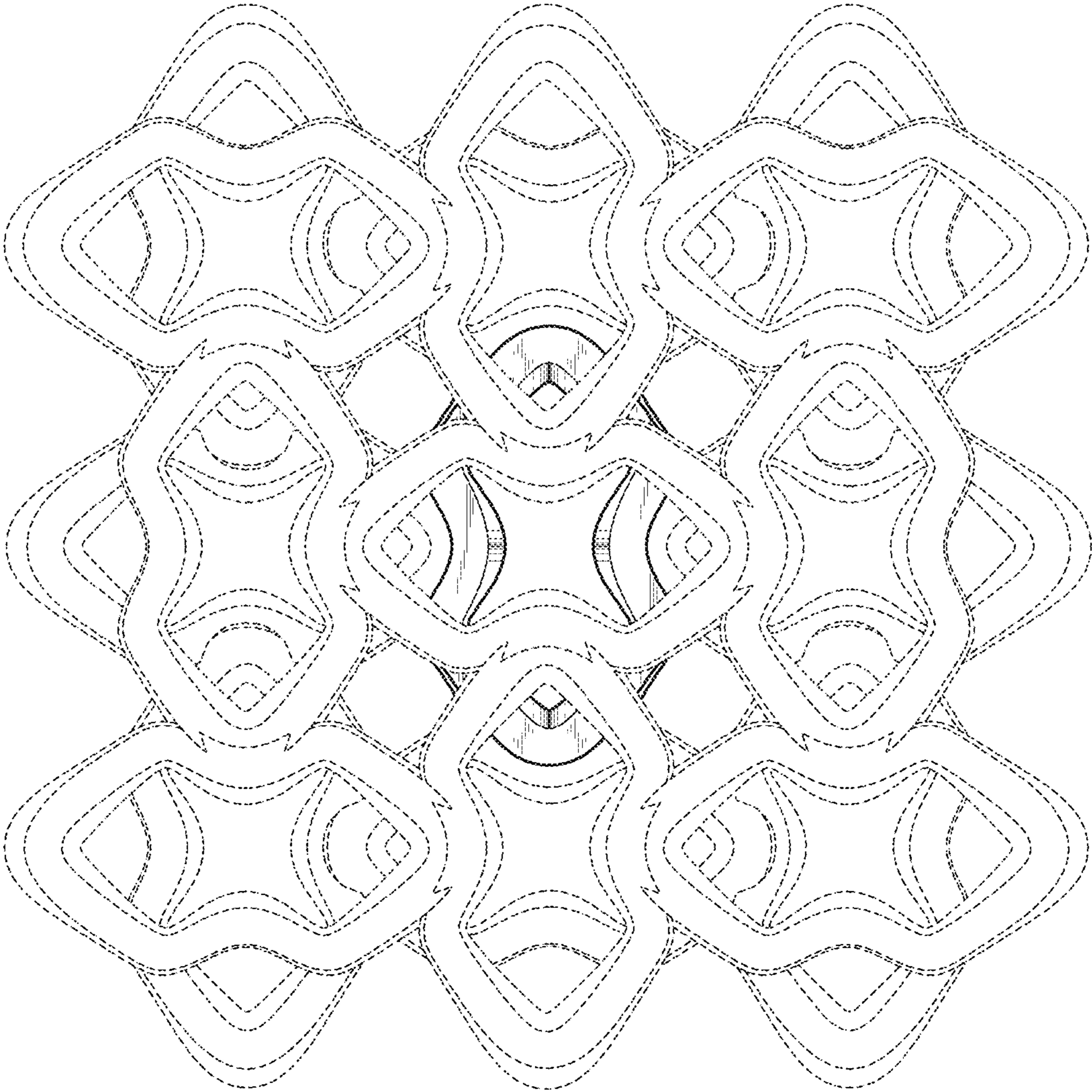


Fig. 3

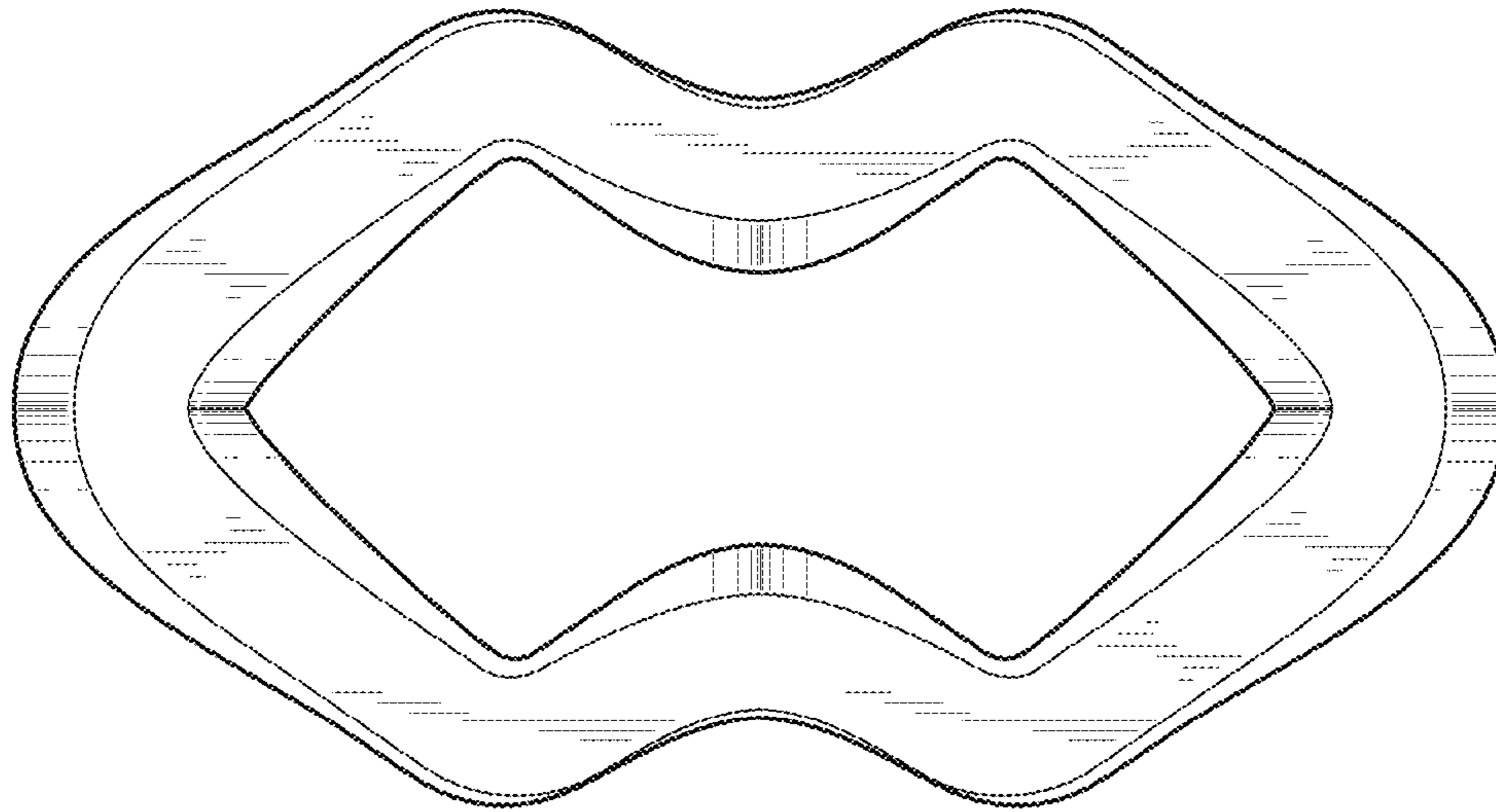


Fig. 4

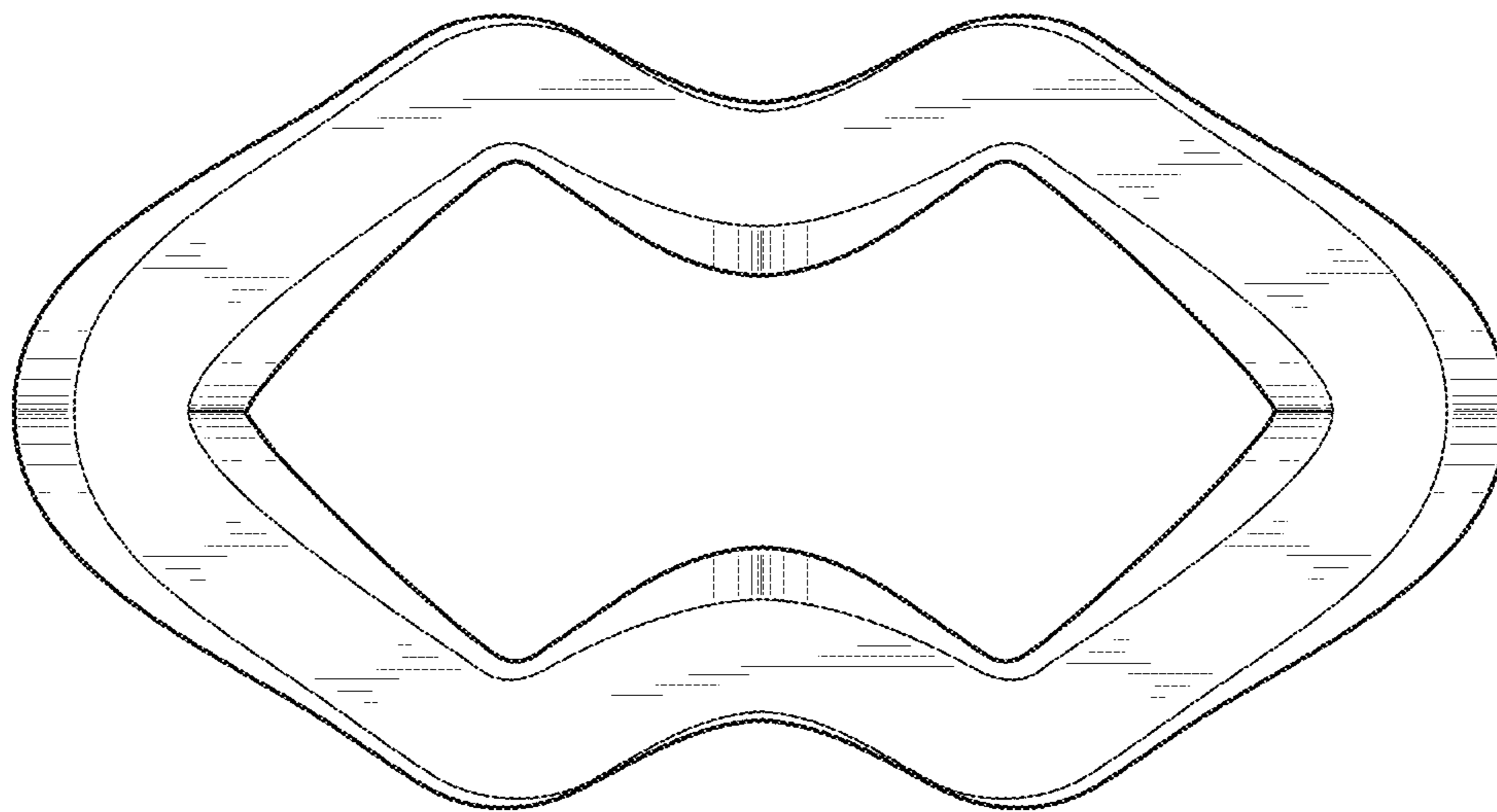


Fig. 5

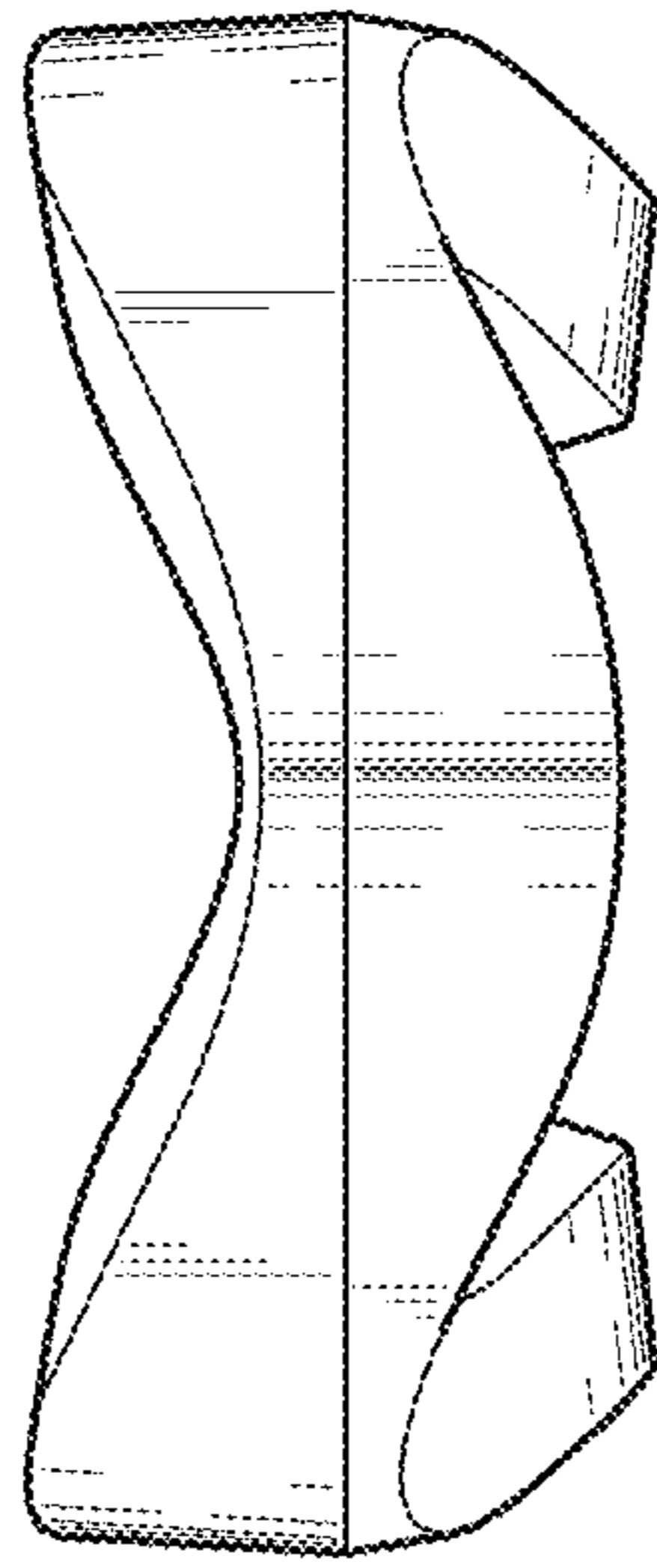


Fig. 6

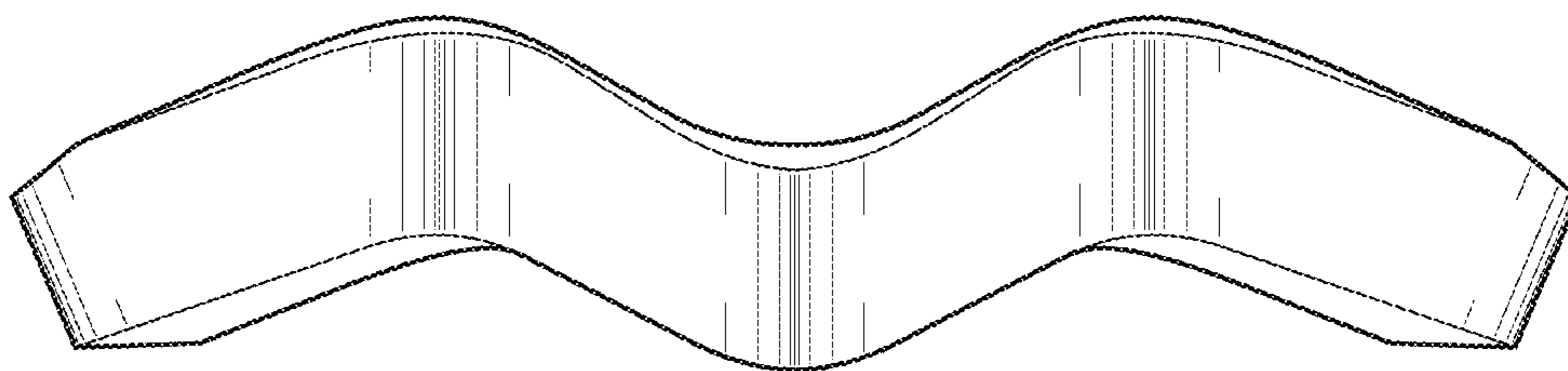


Fig. 7