



US00D911790S

(12) **United States Design Patent**  
**Wang**

(10) **Patent No.:** **US D911,790 S**

(45) **Date of Patent:** **\*\* Mar. 2, 2021**

(54) **WINE GLASS HOLDER**

(71) Applicant: **Qing Wang**, Lvtan Town (CN)

(72) Inventor: **Qing Wang**, Lvtan Town (CN)

(\*\*) Term: **15 Years**

(21) Appl. No.: **29/730,264**

(22) Filed: **Apr. 2, 2020**

(51) **LOC (13) Cl.** ..... **06-04**

(52) **U.S. Cl.**  
USPC ..... **D7/701**

(58) **Field of Classification Search**  
USPC .... D7/701, 707, 708; D6/682.2, 552.2, 525,  
D6/527, 528, 534, 535  
CPC ..... A47B 73/00; A47B 73/006; A47B 73/004;  
A47B 13/16; A47G 23/0641; A47G  
23/06; A47G 23/02; A47G 23/0208;  
A47G 23/0241; A47F 5/16; A47F 7/28;  
A47F 7/283; B25H 3/04  
See application file for complete search history.

(56) **References Cited**

**U.S. PATENT DOCUMENTS**

- 1,885,483 A \* 11/1932 Samuelson ..... A47G 23/0608  
206/553
- 2,723,037 A \* 11/1955 Matesic ..... A47B 13/16  
211/74
- D231,594 S \* 5/1974 Demers ..... D7/701
- 3,893,569 A \* 7/1975 Hoch ..... A47B 31/06  
211/74
- D247,660 S \* 4/1978 Tortorici ..... D6/553
- D304,401 S \* 11/1989 Wagner ..... D7/705
- 4,947,991 A \* 8/1990 Snell ..... A47B 13/16  
206/427
- D313,132 S \* 12/1990 Masacek ..... D6/682.2

- D348,995 S \* 7/1994 Dore ..... D6/680.2
- D399,710 S \* 10/1998 Brown ..... D7/708
- D414,991 S \* 10/1999 Brown ..... D7/701
- D495,530 S \* 9/2004 Marsden ..... D6/682.2
- D505,841 S \* 6/2005 Fiedeler ..... D6/525
- D530,128 S \* 10/2006 Doran ..... D6/571
- D568,697 S \* 5/2008 Allen ..... D7/708
- D602,314 S \* 10/2009 Stravitz ..... D7/701
- D621,182 S \* 8/2010 Farley ..... D6/682.2
- D649,416 S \* 11/2011 Tietjen ..... D7/707
- D786,029 S \* 5/2017 Pannell ..... D7/708
- D796,277 S \* 9/2017 Stiffel ..... D7/701
- 2016/0120349 A1 \* 5/2016 Boyatt ..... A47G 23/0641  
206/562

\* cited by examiner

*Primary Examiner* — Terry A Wallace

(74) *Attorney, Agent, or Firm* — Law Offices of Steven W. Weinreib

(57) **CLAIM**

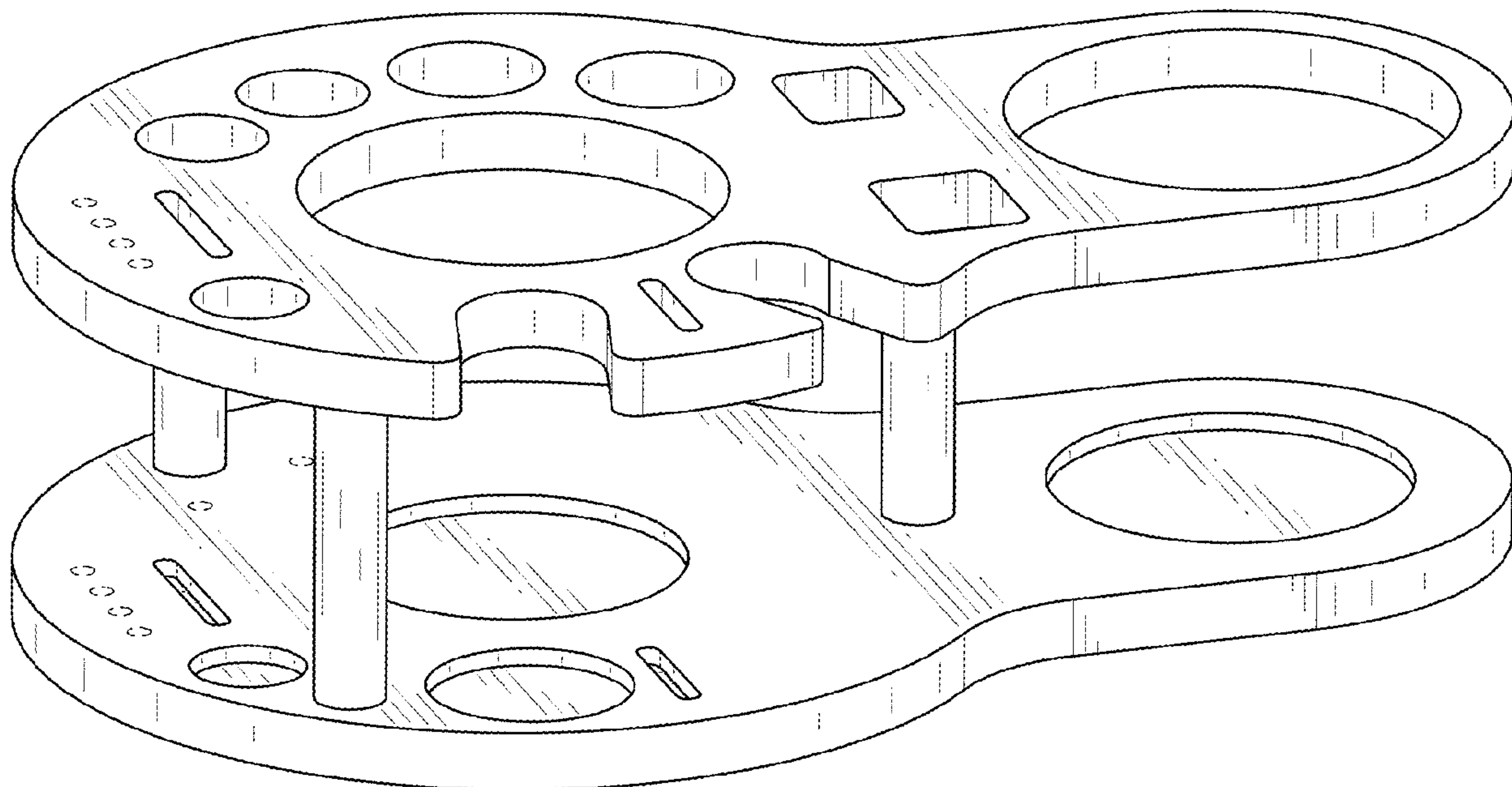
The ornamental design for a wine glass holder, as shown and described.

**DESCRIPTION**

FIG. 1 is a front, left side, top perspective view of a wine glass holder showing my new design; FIG. 2 is a rear, left side, bottom perspective view thereof; FIG. 3 is a front elevational view thereof; FIG. 4 is a rear elevational view thereof; FIG. 5 is a left side elevational view thereof; FIG. 6 is a right side elevational view thereof; FIG. 7 is a top plan view thereof; and, FIG. 8 is a bottom plan view thereof.

The broken lines depict environment that forms no part of the claimed design for the wine glass holder.

**1 Claim, 8 Drawing Sheets**



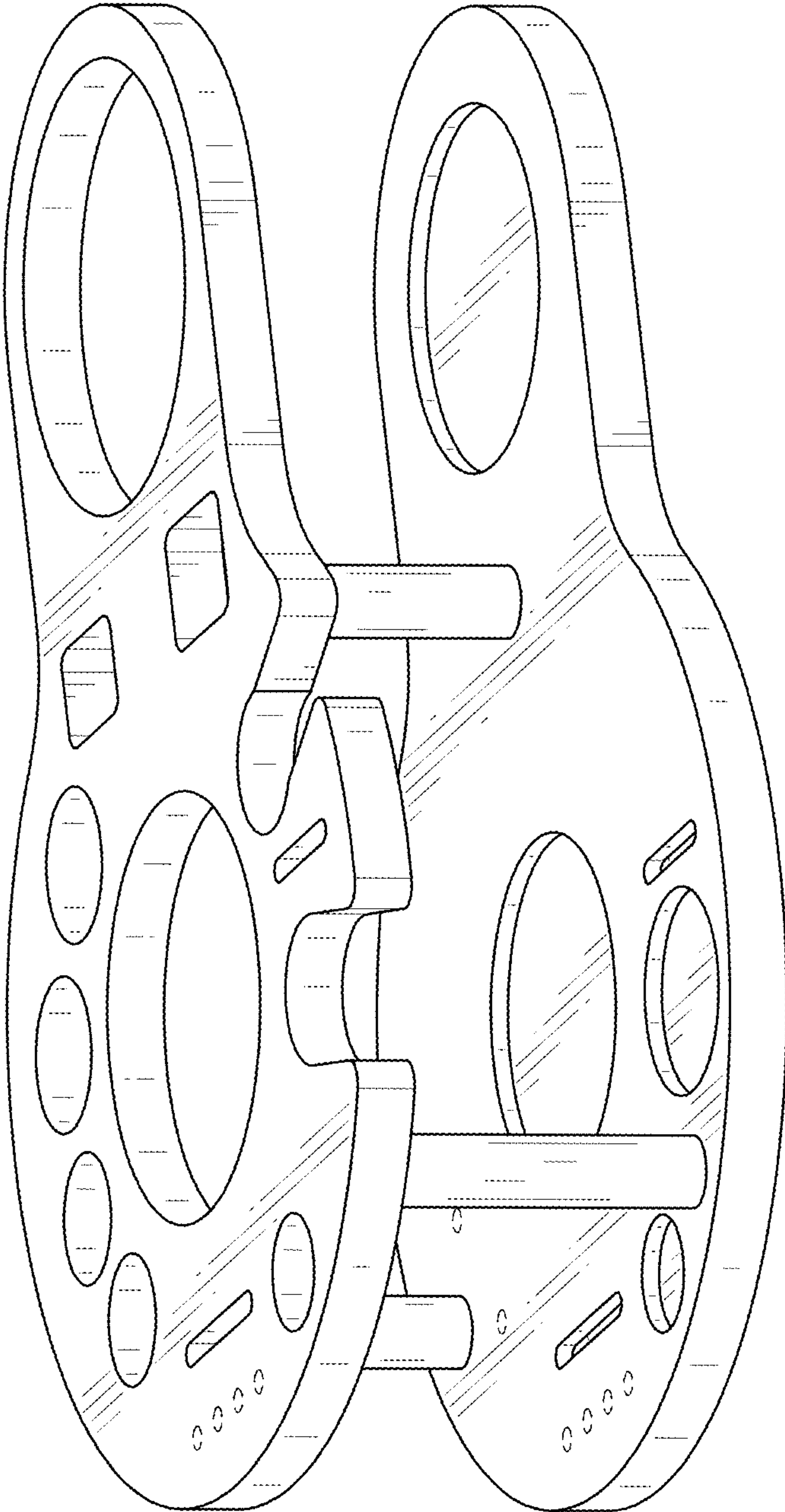


FIG. 1

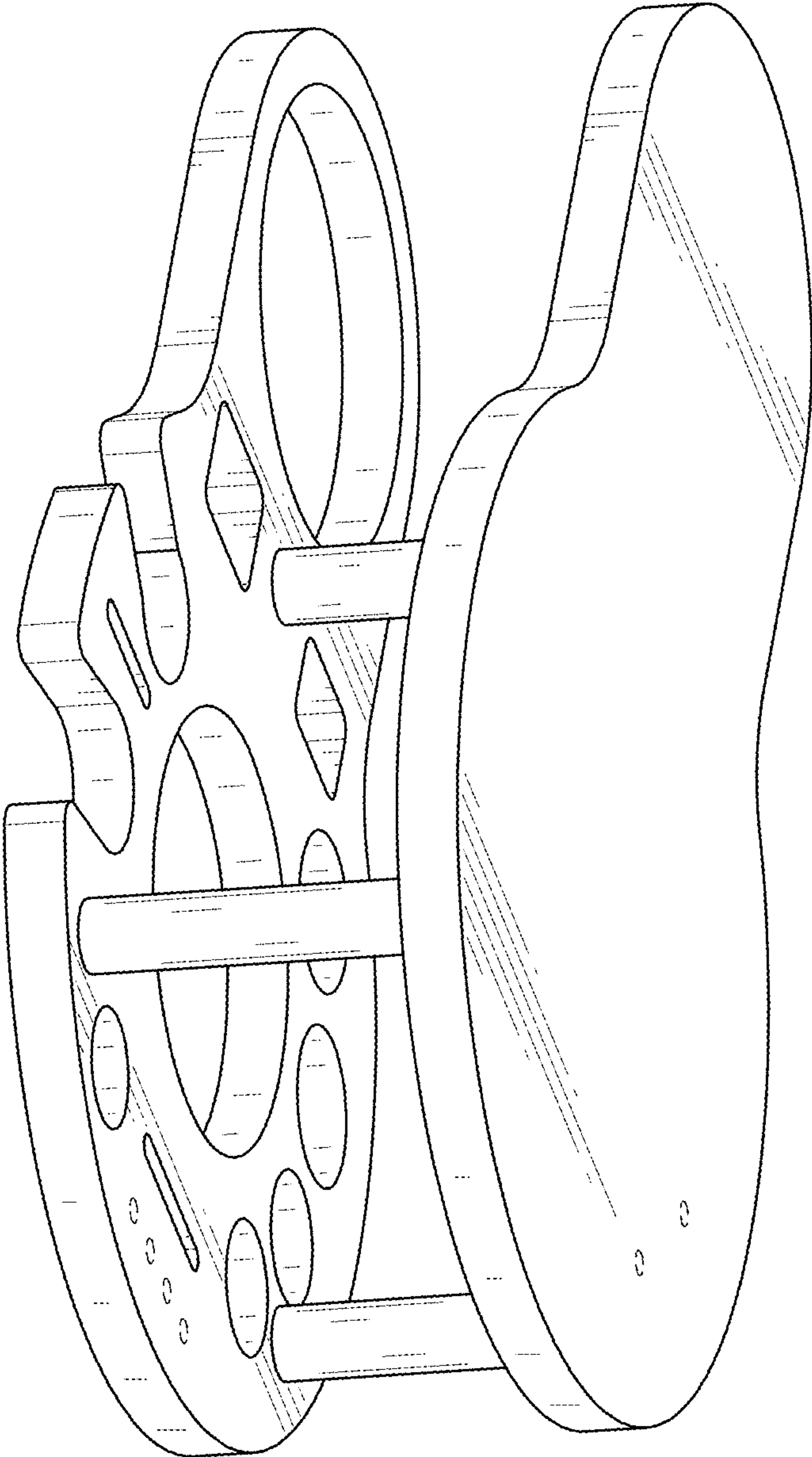


FIG.2

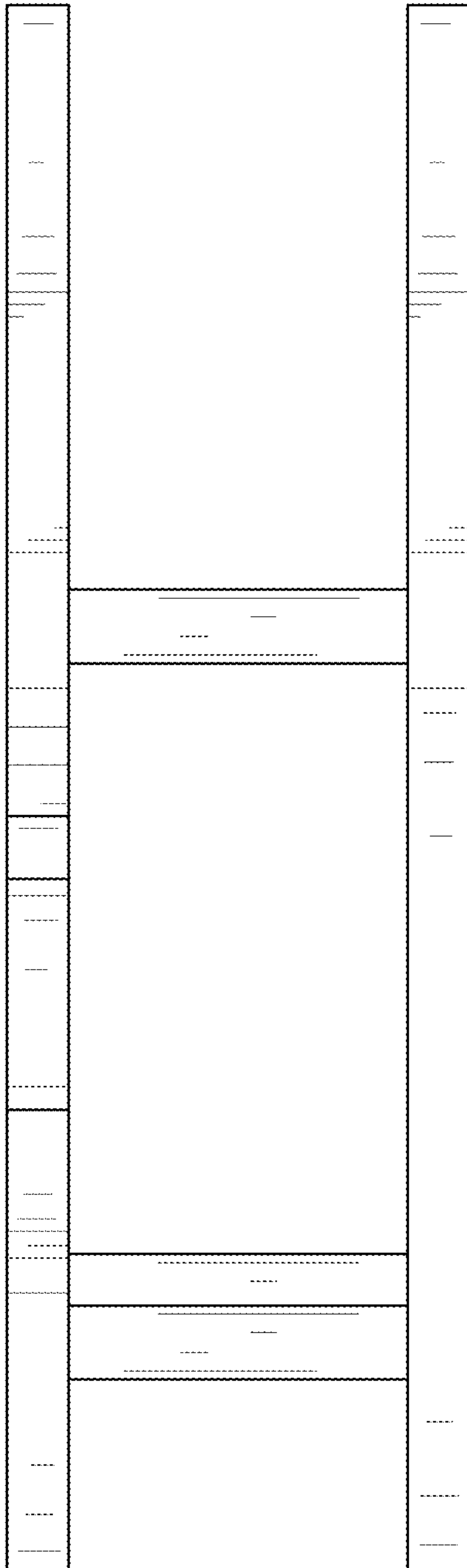


FIG.3

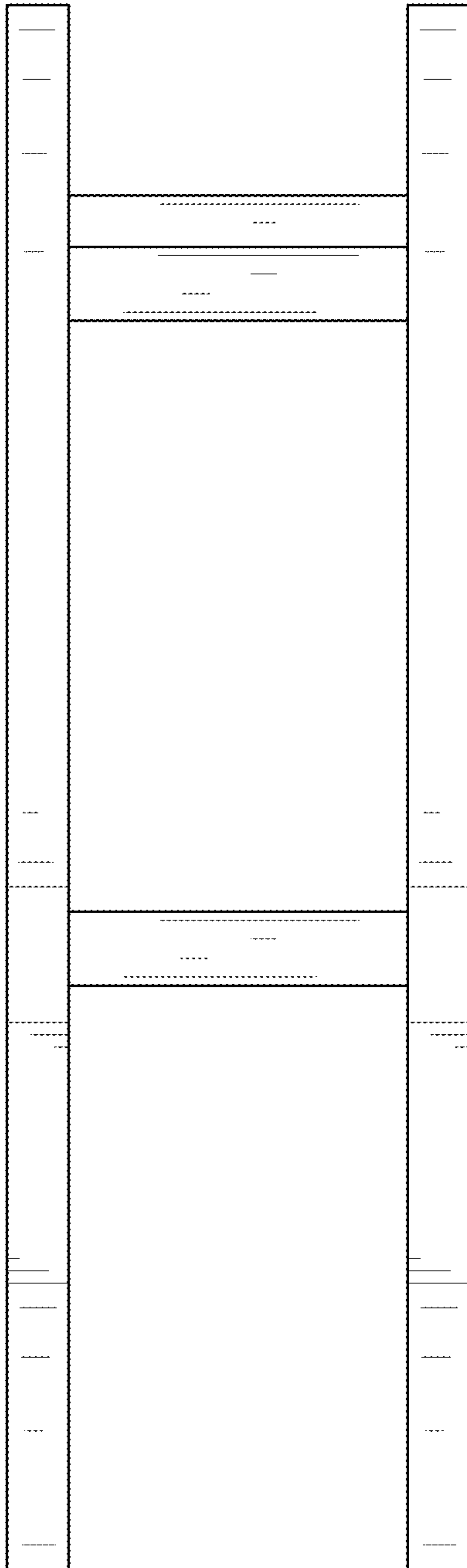


FIG.4

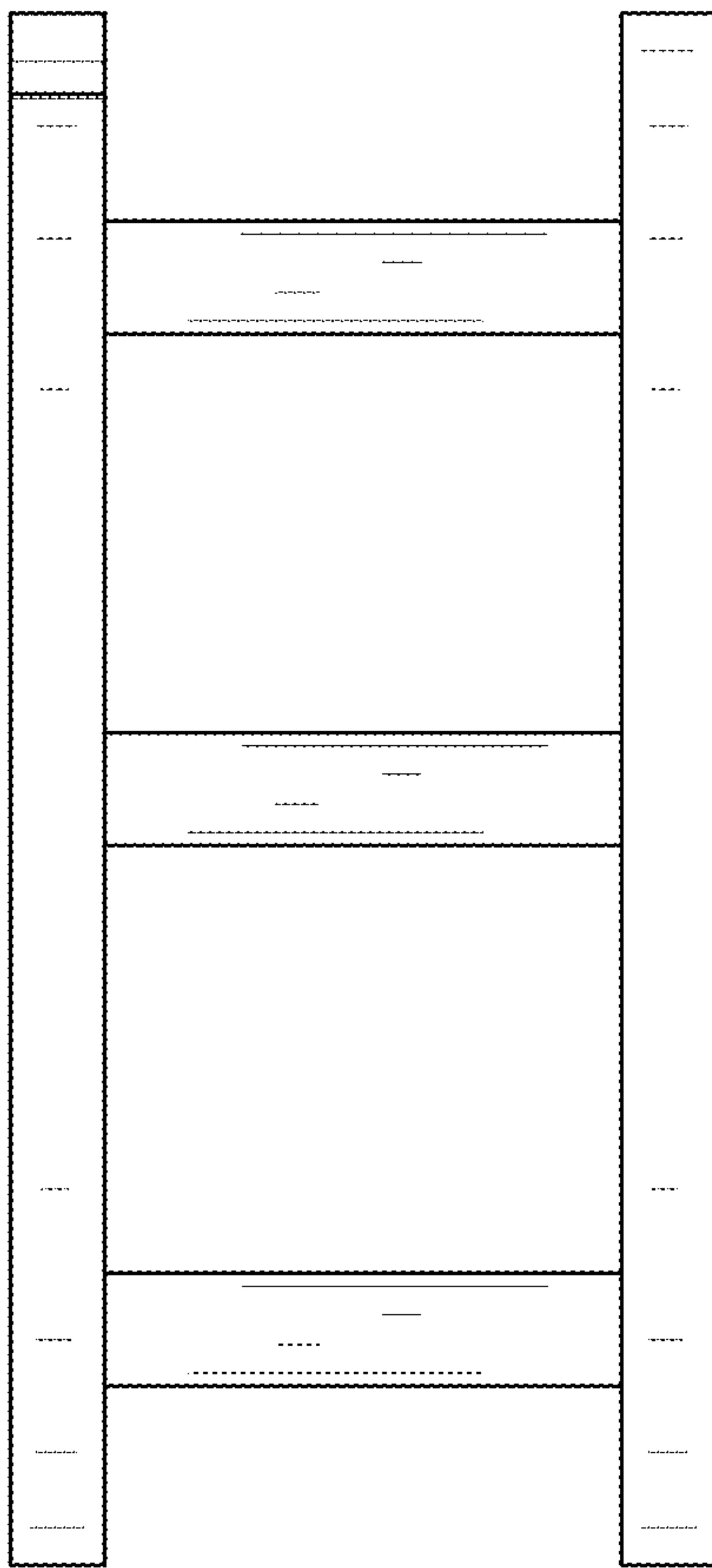


FIG. 5



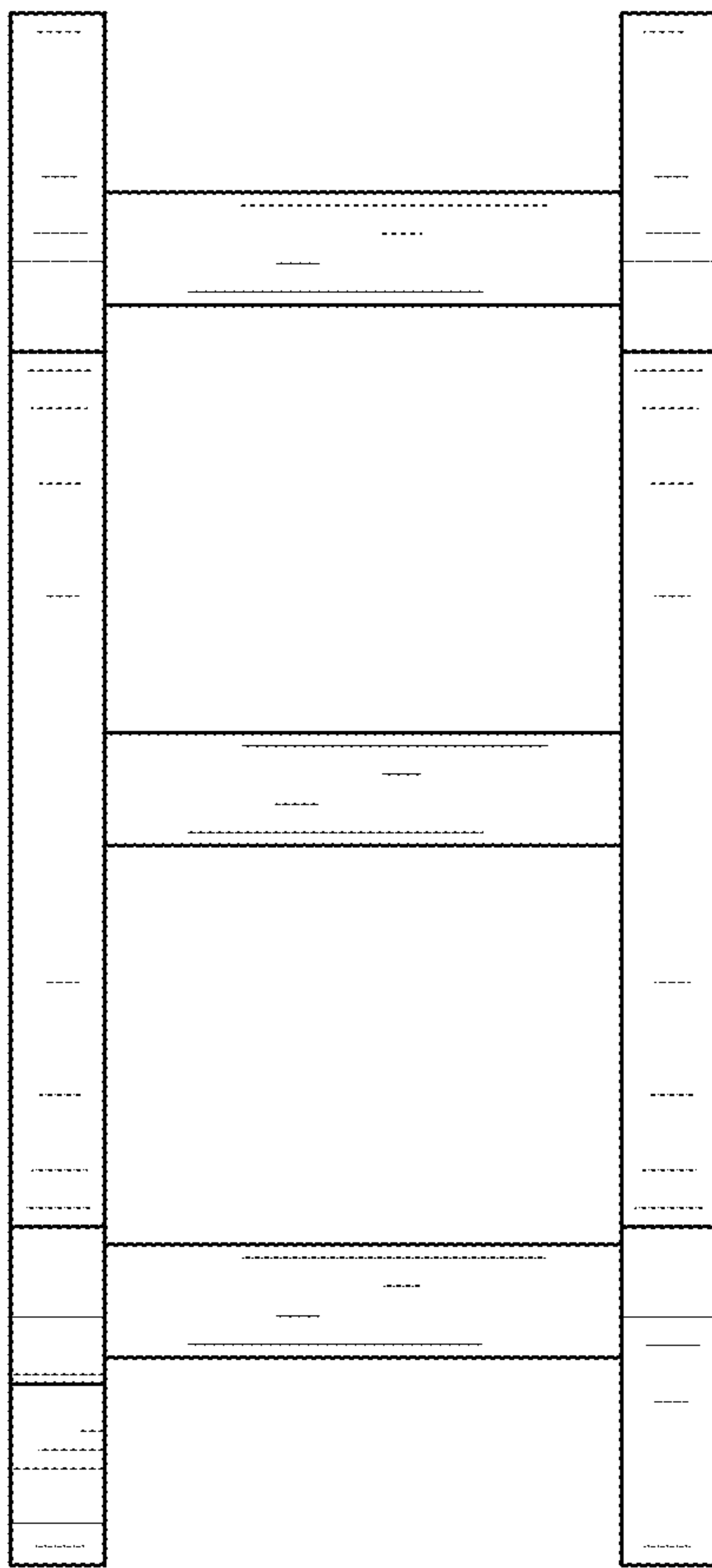


FIG.6

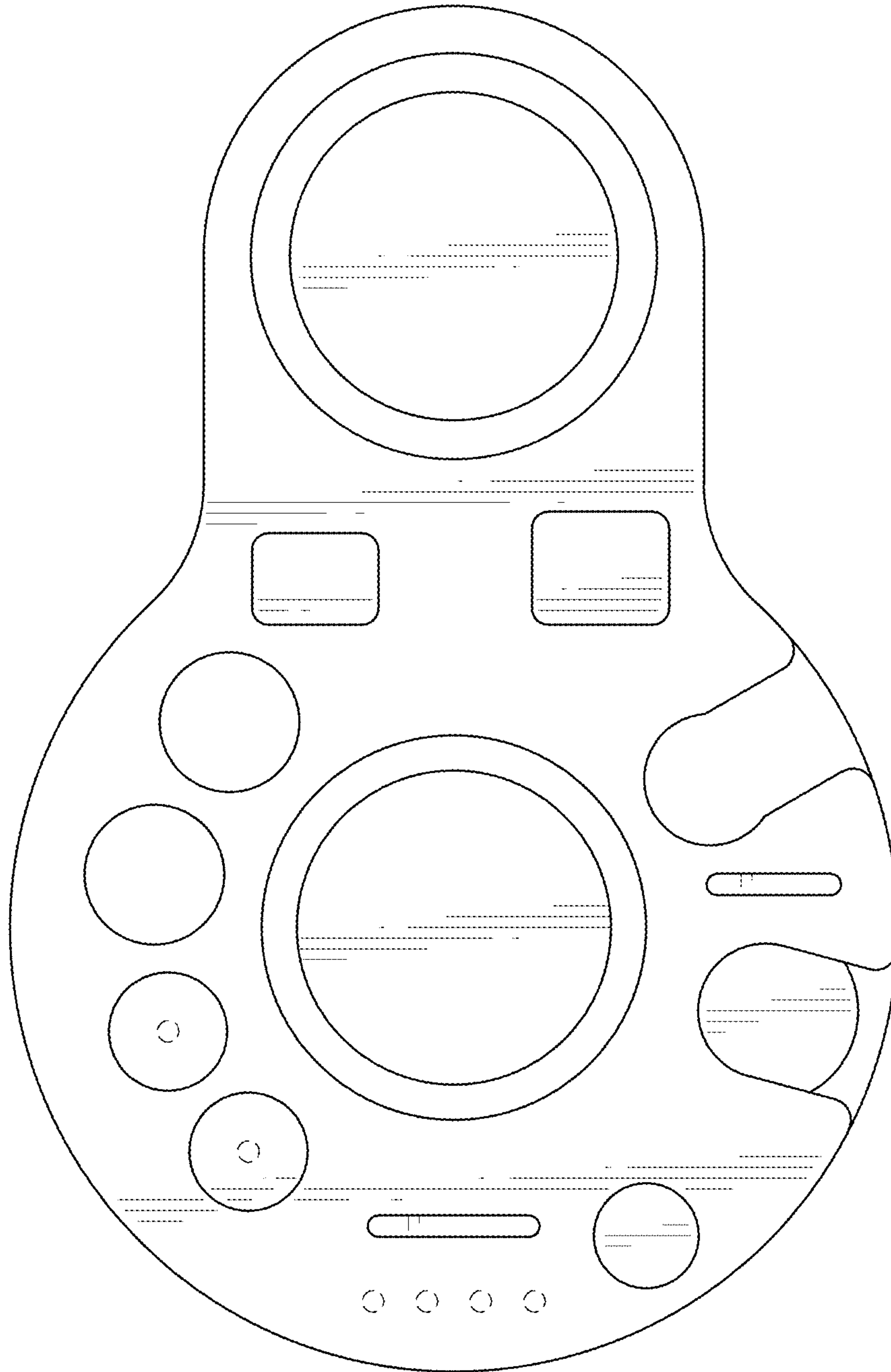


FIG. 7



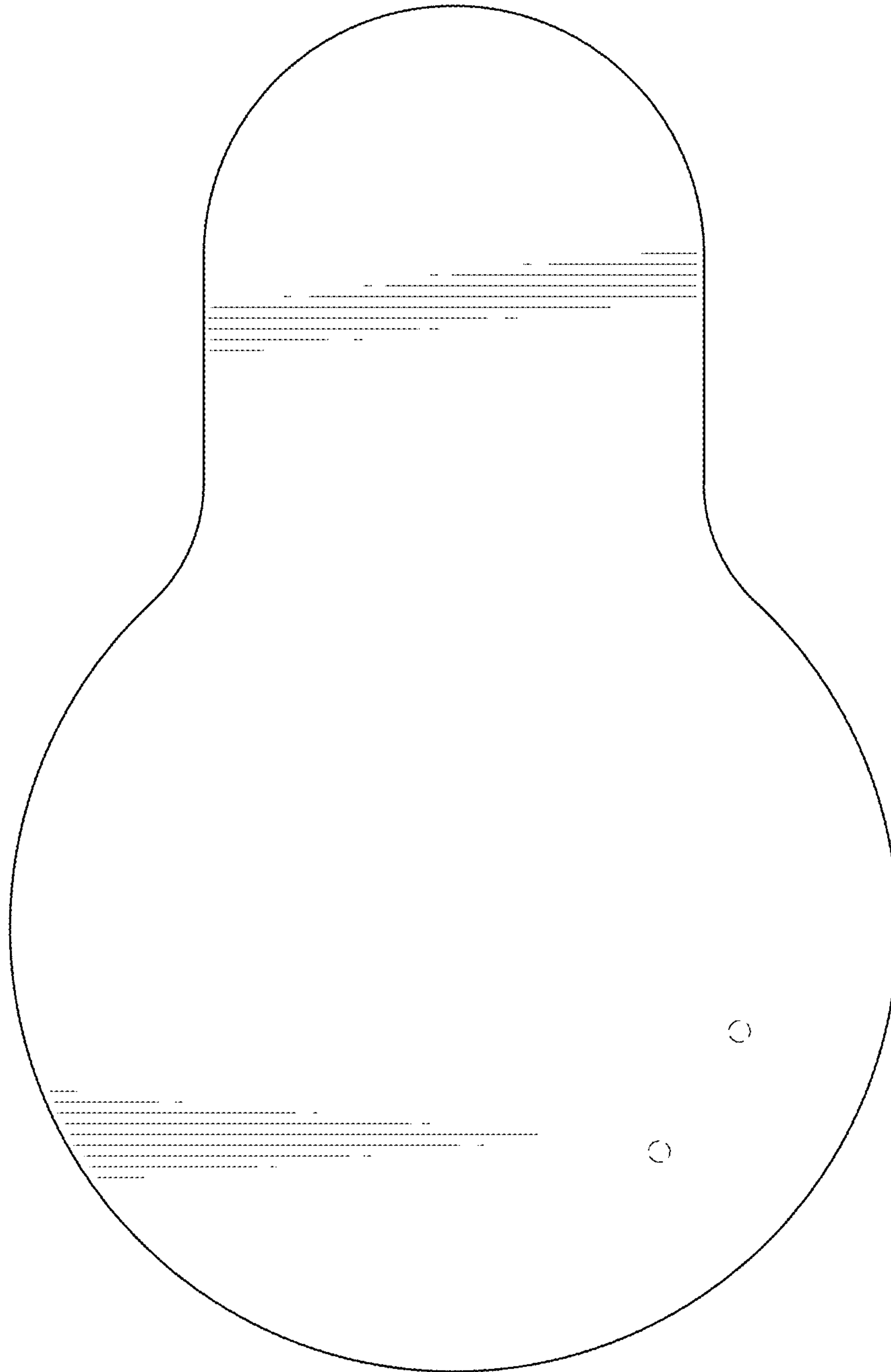


FIG. 8