



US00D911789S

(12) **United States Design Patent** (10) **Patent No.:** **US D911,789 S**
Wang (45) **Date of Patent:** **** Mar. 2, 2021**

(54) **WINE GLASS HOLDER**
(71) Applicant: **Qing Wang**, Lvtan Town (CN)
(72) Inventor: **Qing Wang**, Lvtan Town (CN)
(**) Term: **15 Years**
(21) Appl. No.: **29/730,012**
(22) Filed: **Mar. 31, 2020**
(51) **LOC (13) Cl.** **06-04**
(52) **U.S. Cl.**
USPC **D7/701**
(58) **Field of Classification Search**
USPC D7/701, 707, 708; D6/682.2, 552.2, 525,
D6/527, 528, 534, 535
CPC A47B 73/00; A47B 73/006; A47B 73/004;
A47B 13/16; A47G 23/0641; A47G
23/06; A47G 23/02; A47G 23/0208;
A47G 23/0241; A47F 5/16; A47F 7/28;
A47F 7/283; B25H 3/04
See application file for complete search history.

D399,710 S 10/1998 Brown
D414,991 S 10/1999 Brown
D495,530 S 9/2004 Marsden et al.
D505,841 S * 6/2005 Fiedeler D6/525
D530,128 S 10/2006 Doran
D568,697 S 5/2008 Allen
D602,314 S 10/2009 Stravitz
D621,182 S 8/2010 Farley
D649,416 S * 11/2011 Tietjen D7/707
D786,029 S * 5/2017 Pannell D7/708
D796,277 S 9/2017 Stiffel
2016/0120349 A1* 5/2016 Boyatt A47G 23/0641
206/562

* cited by examiner

Primary Examiner — Terry A Wallace
(74) *Attorney, Agent, or Firm* — Law Offices of Steven
W. Weinrieb

(57) **CLAIM**

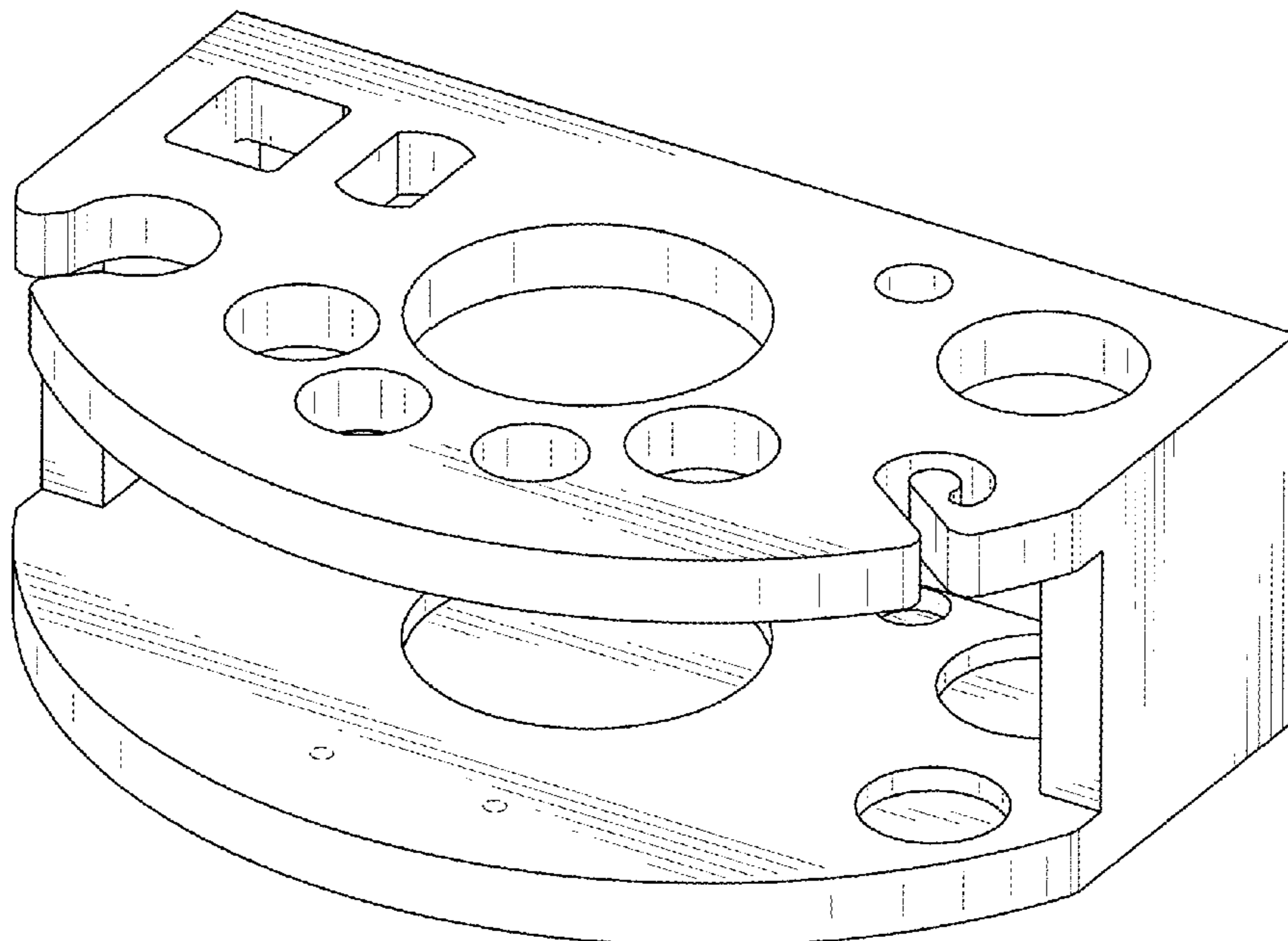
The ornamental design for a wine glass holder, as shown and described.

DESCRIPTION

FIG. 1 is a front, right side, top perspective view of a wine glass holder showing my new design;
FIG. 2 is a rear, left side, bottom perspective view thereof;
FIG. 3 is a front elevational view thereof;
FIG. 4 is a rear elevational view thereof;
FIG. 5 is a left side elevational view thereof;
FIG. 6 is a right side elevational view thereof;
FIG. 7 is a top plan view thereof;
FIG. 8 is a bottom plan view thereof; and,
FIG. 9 is a cross-sectional view thereof as taken along the plane defined by means of the arrows 9-9 in FIG. 3.
The broken lines depict environment that forms no part of the claimed design for the wine glass holder.

1 Claim, 9 Drawing Sheets

(56) **References Cited**
U.S. PATENT DOCUMENTS
1,885,483 A * 11/1932 Samuelson A47G 23/0608
206/553
2,723,037 A * 11/1955 Matesic A47B 13/16
211/74
D231,594 S * 5/1974 Demers D7/701
3,893,569 A * 7/1975 Hoch A47B 31/06
211/74
D247,660 S 4/1978 Tortorici
D304,401 S 11/1989 Wagner
4,947,991 A * 8/1990 Snell A47B 13/16
206/427
D313,132 S 12/1990 Masacek
D348,995 S 7/1994 Dore



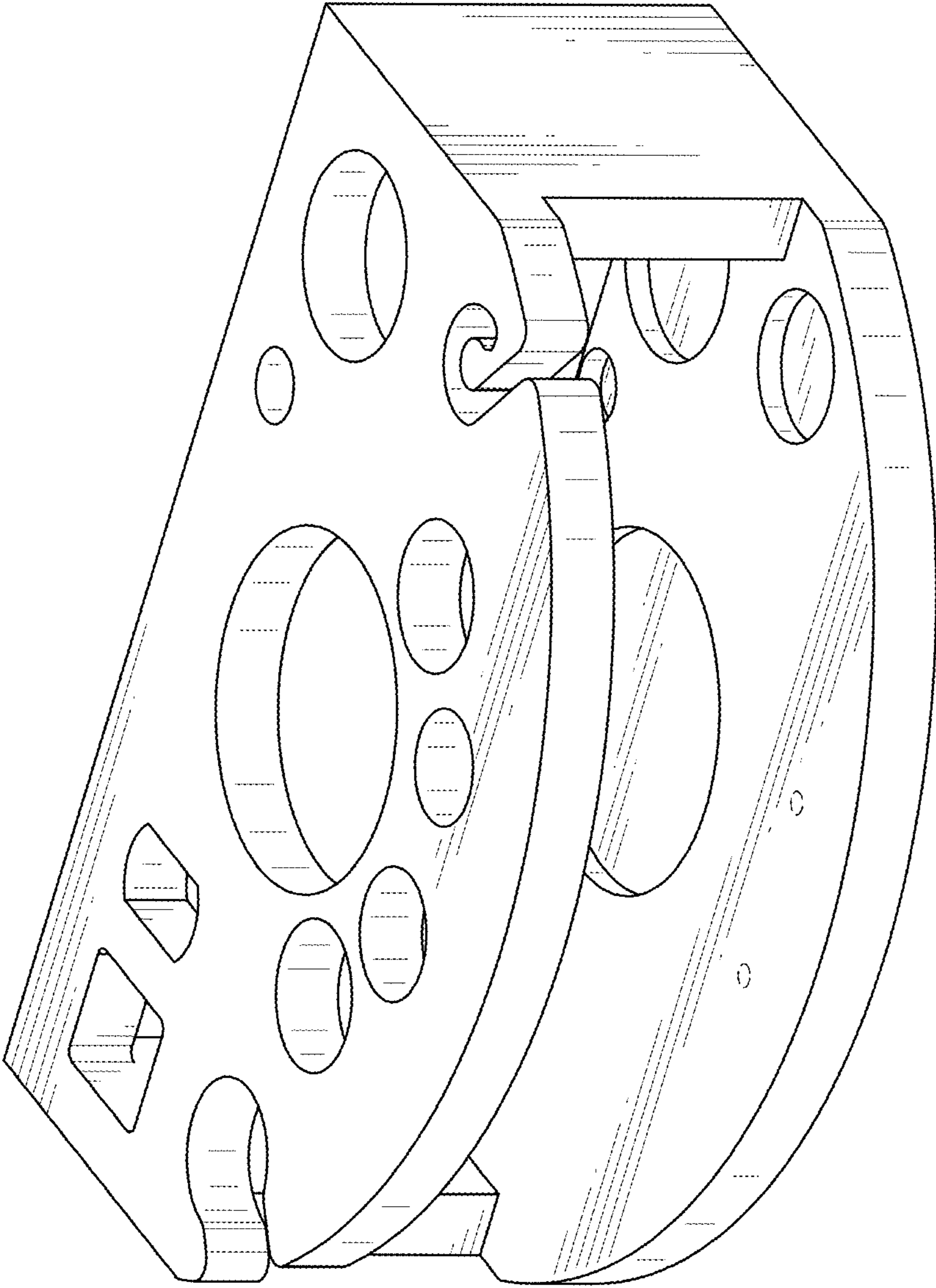


FIG.1

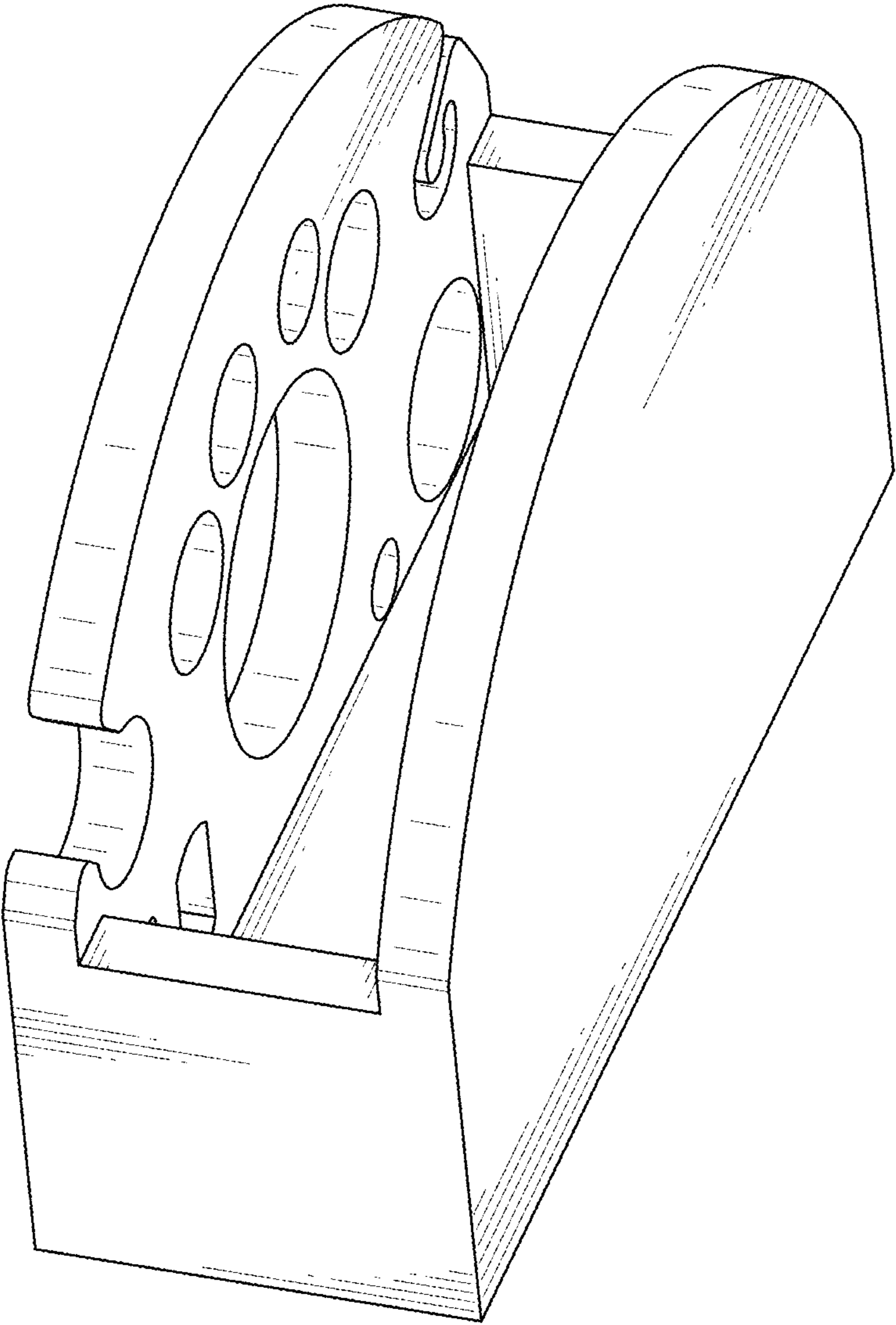


FIG.2

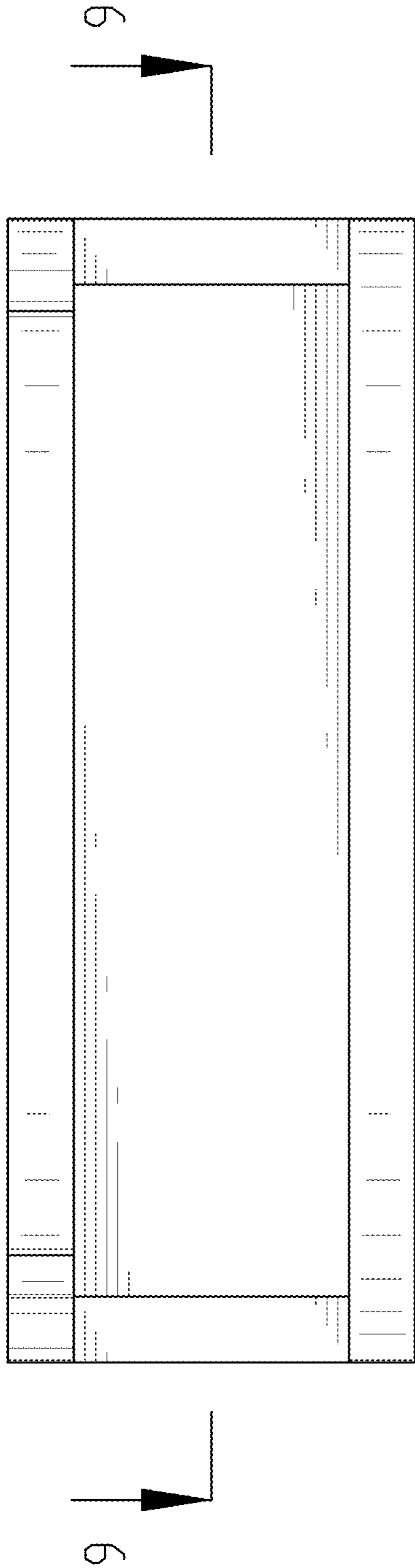


FIG.3

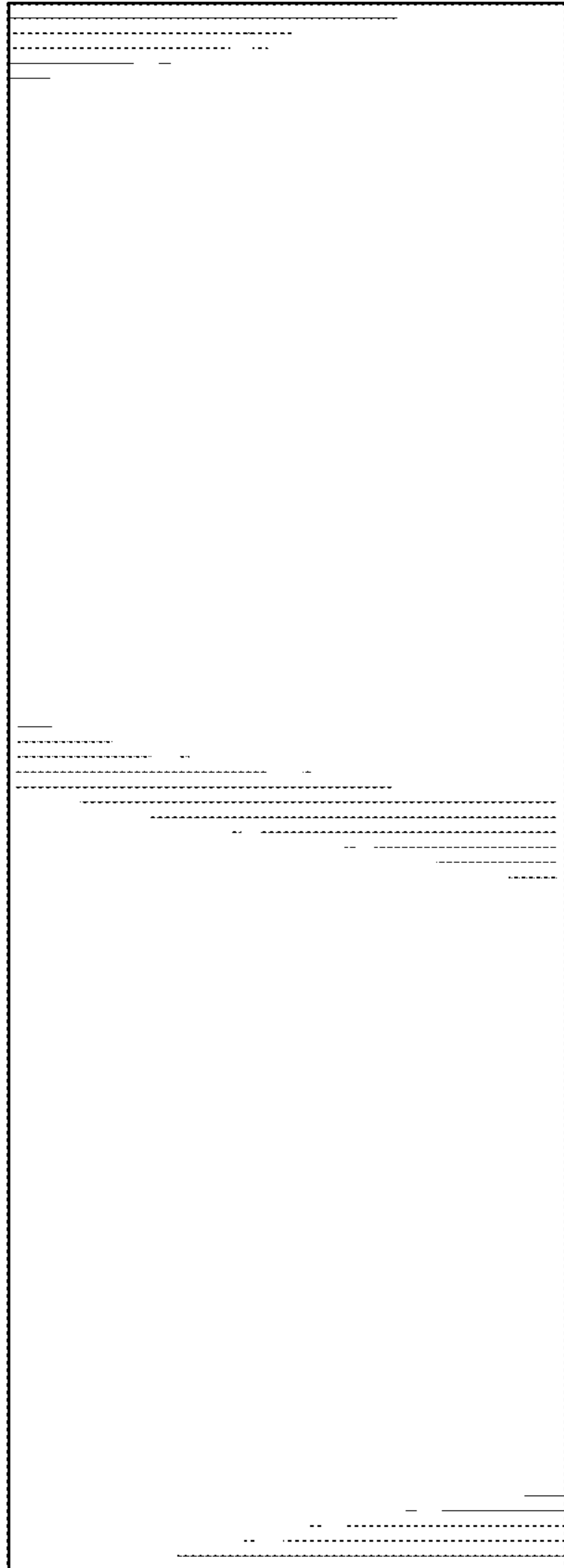


FIG. 4

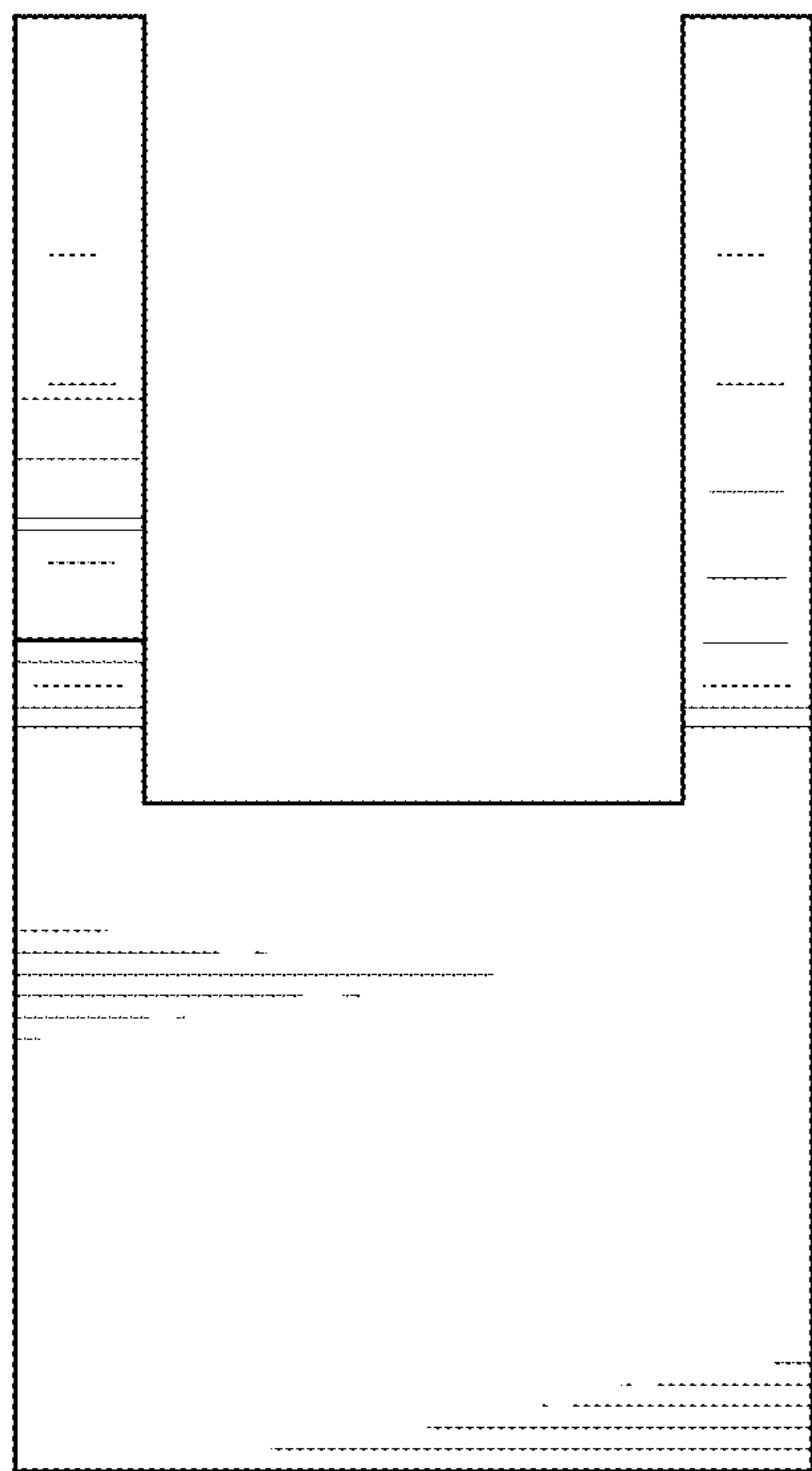


FIG. 5

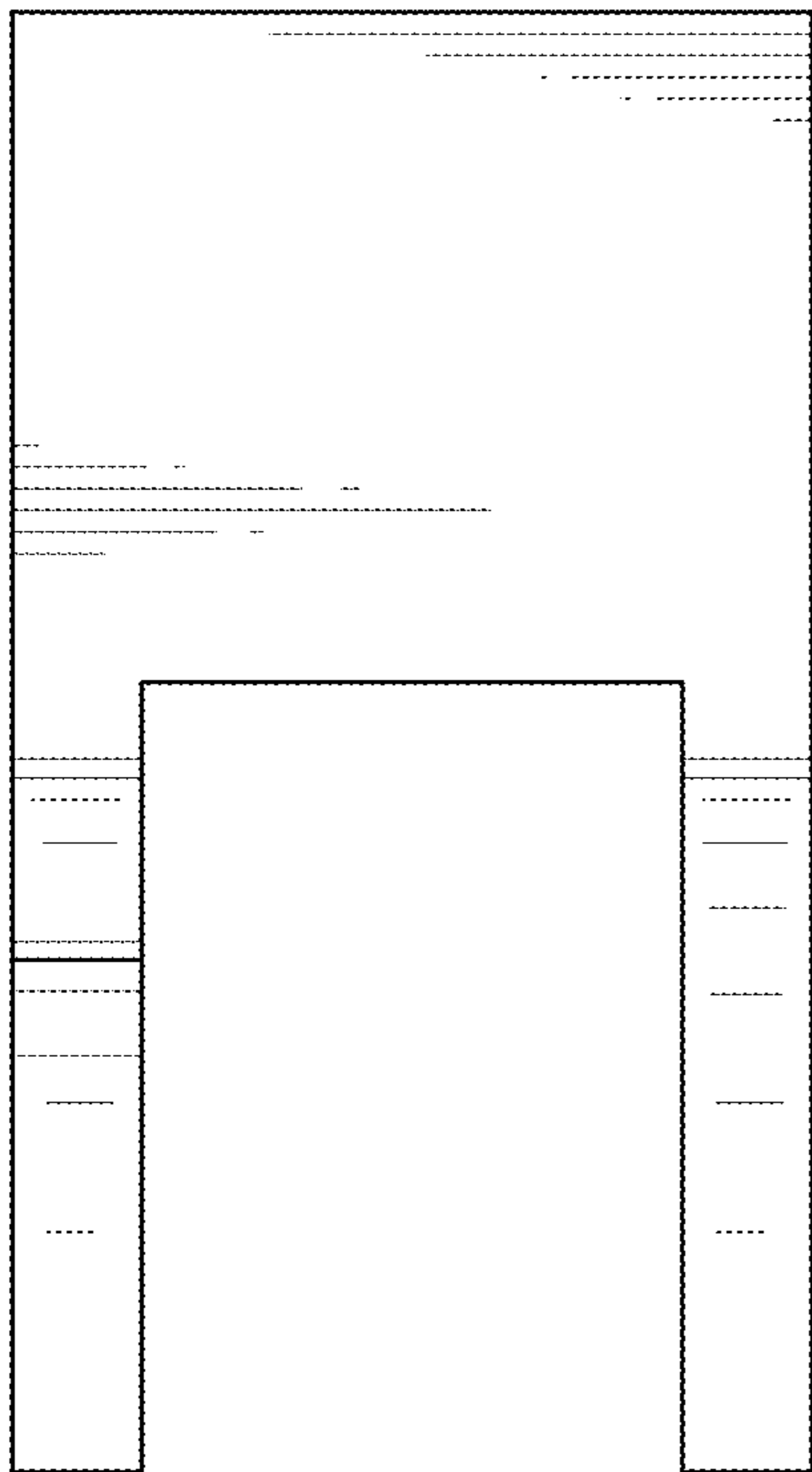


FIG.6

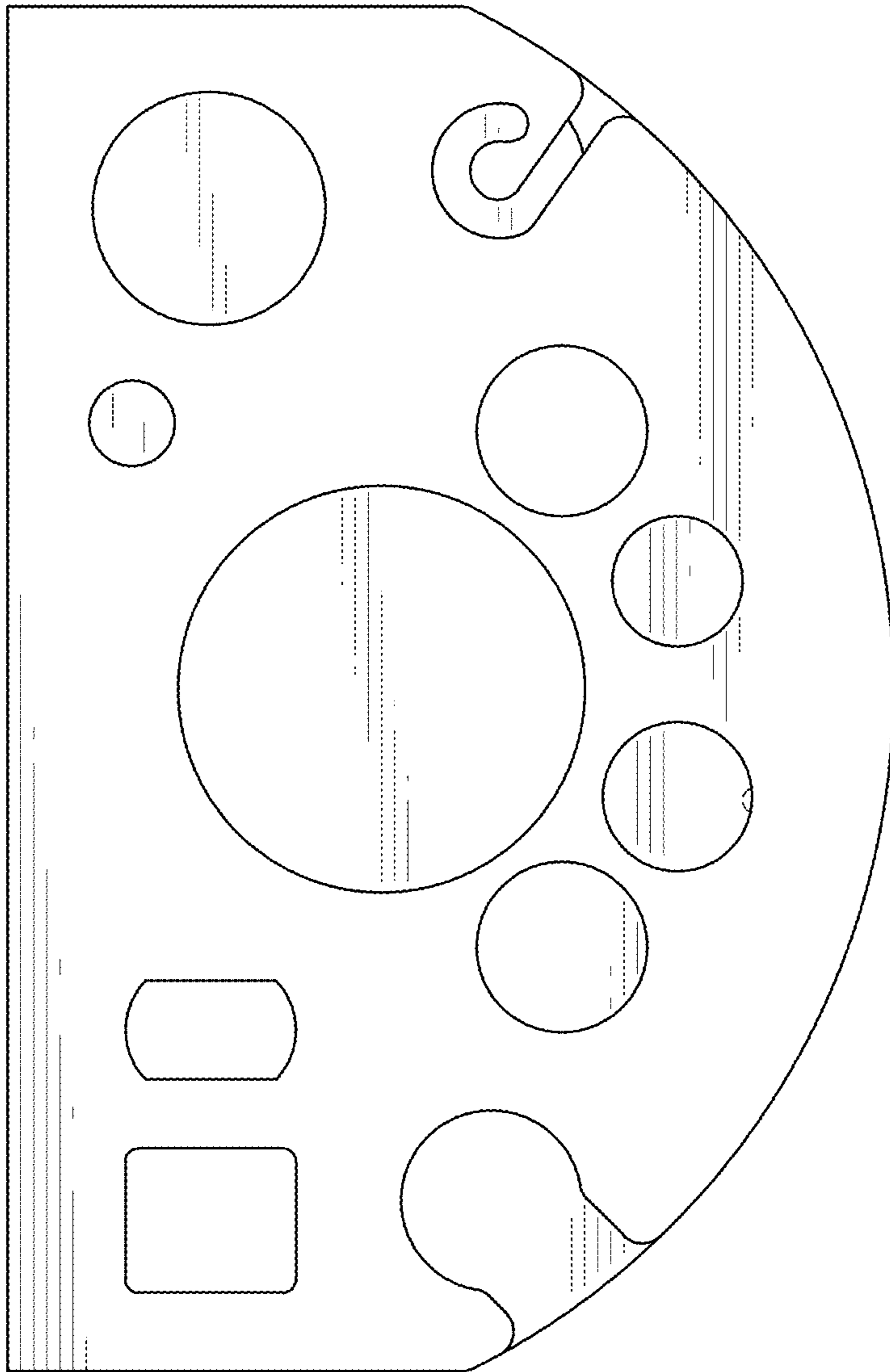


FIG. 7

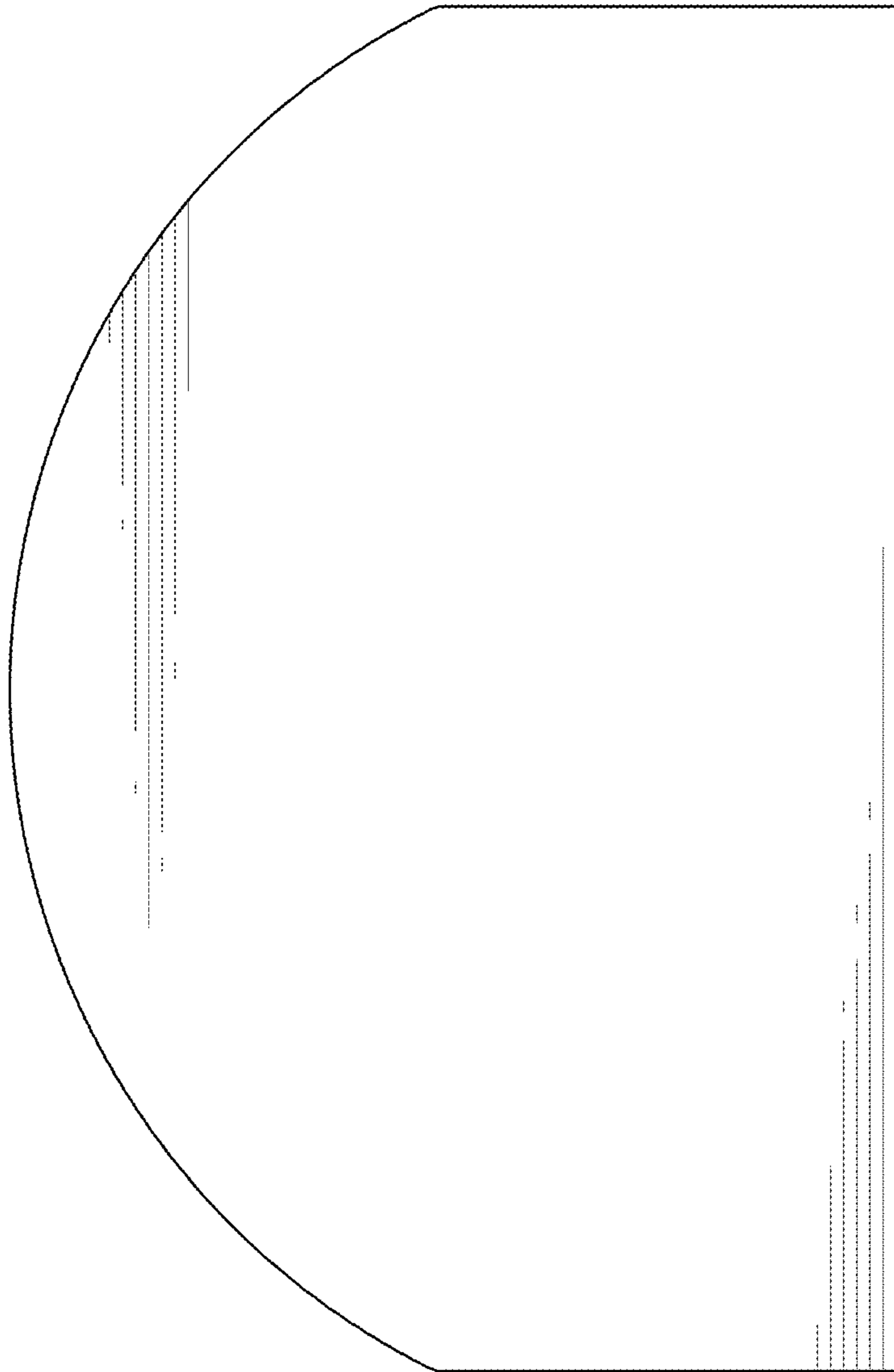


FIG. 8

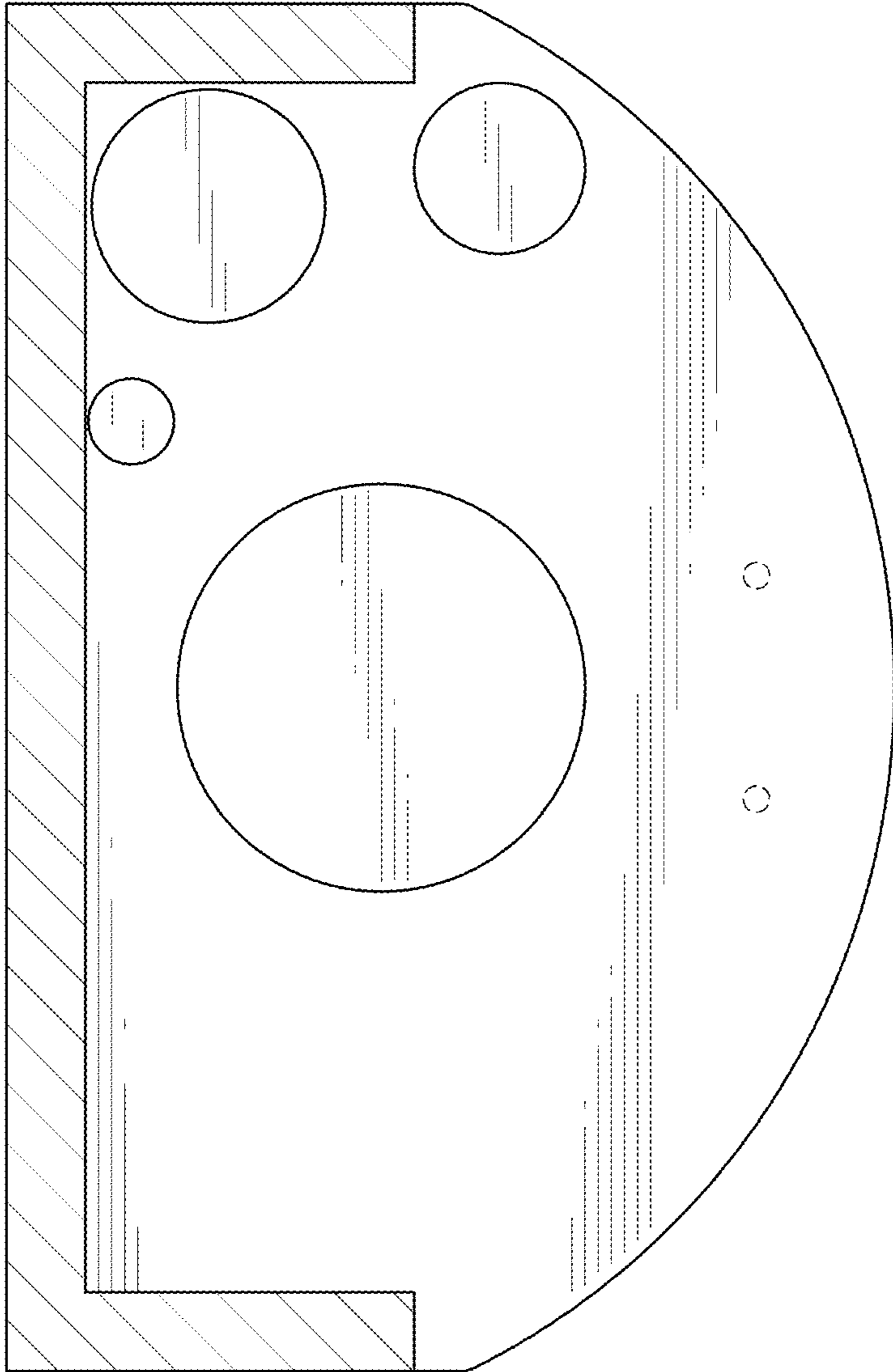


FIG.9