



US00D911788S

(12) **United States Design Patent**
Shen

(10) **Patent No.:** **US D911,788 S**
(45) **Date of Patent:** **** Mar. 2, 2021**

- (54) **JUICER**
- (71) Applicant: **Lihua Shen**, Los Angeles, CA (US)
- (72) Inventor: **Lihua Shen**, Los Angeles, CA (US)
- (**) Term: **15 Years**
- (21) Appl. No.: **29/703,465**
- (22) Filed: **Aug. 27, 2019**
- (51) **LOC (13) Cl.** **31-00**
- (52) **U.S. Cl.**
USPC **D7/665**
- (58) **Field of Classification Search**
USPC D7/665, 378, 370, 384, 386, 412
CPC A47J 19/023; A47J 19/02; A47J 19/027;
A47J 19/06; A47J 19/00; A47J 19/025;
A47J 43/00; A47J 43/042; A47J 43/07;
A47J 2043/04454; A23N 1/02; A23N
1/003; A23N 1/00; A23N 1/006
See application file for complete search history.

- 2013/0255511 A1* 10/2013 Steiner A23N 1/02
99/513
- 2016/0066616 A1* 3/2016 Yamaguchi A47J 19/027
99/510
- 2017/0280912 A1* 10/2017 Han A47J 43/075
- * cited by examiner

Primary Examiner — Terry A Wallace
(74) *Attorney, Agent, or Firm* — Che-Yang Chen; Law
Office of Michael Chen

(57) **CLAIM**
The ornamental design for a juicer, as shown and described.

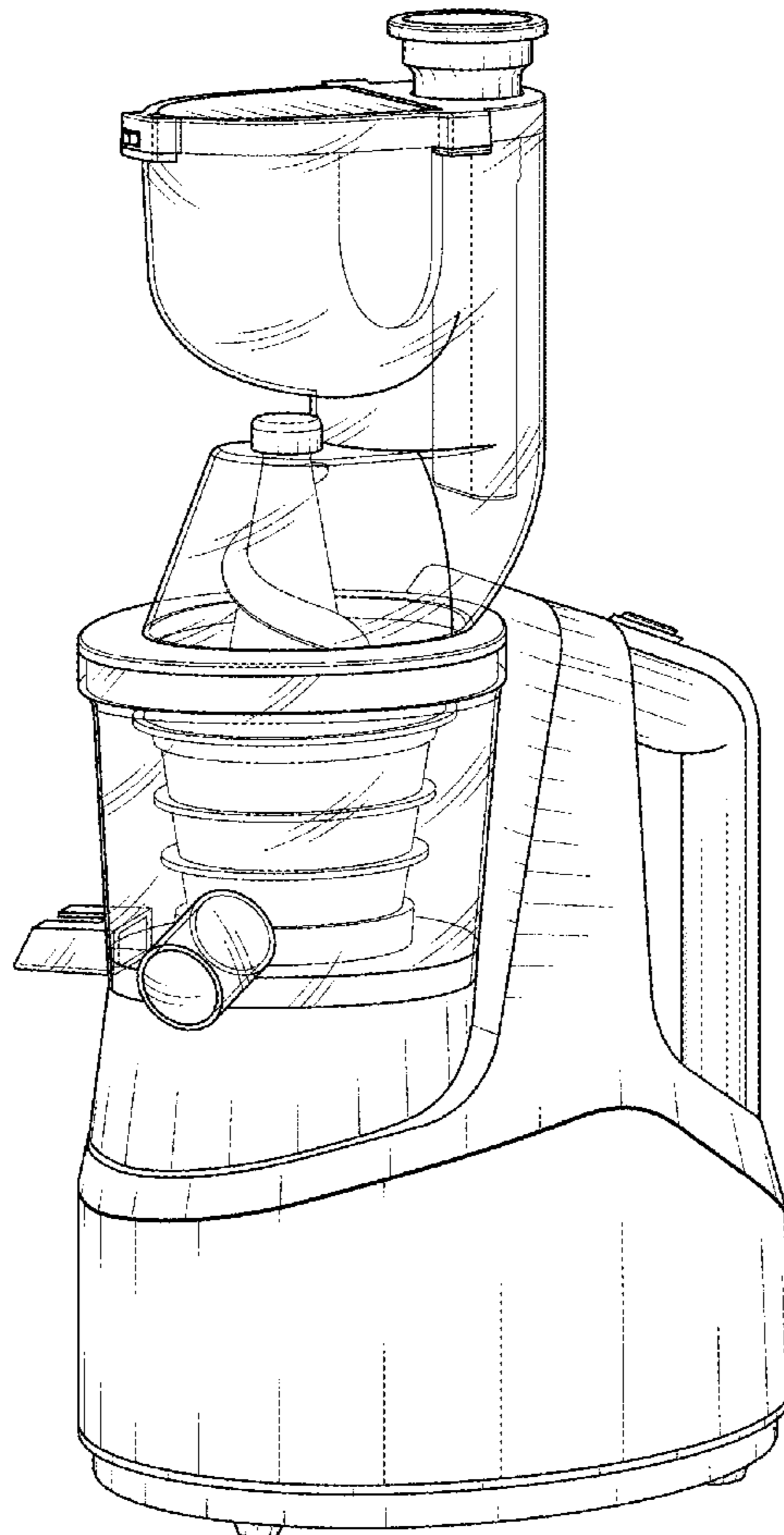
DESCRIPTION

FIG. 1 is a perspective view of the juicer showing my new design;
FIG. 2 is a front elevational view thereof;
FIG. 3 is a right elevational view thereof;
FIG. 4 is a left elevational view thereof;
FIG. 5 is a rear elevational view thereof;
FIG. 6 is a top plan view thereof; and,
FIG. 7 is a bottom plan view thereof.
The broken lines are for illustrative purposes only and form no part of the claimed design.

(56) **References Cited**
U.S. PATENT DOCUMENTS

- D742,183 S * 11/2015 Kim D7/665
- D778,127 S * 2/2017 Chen D7/665

1 Claim, 6 Drawing Sheets



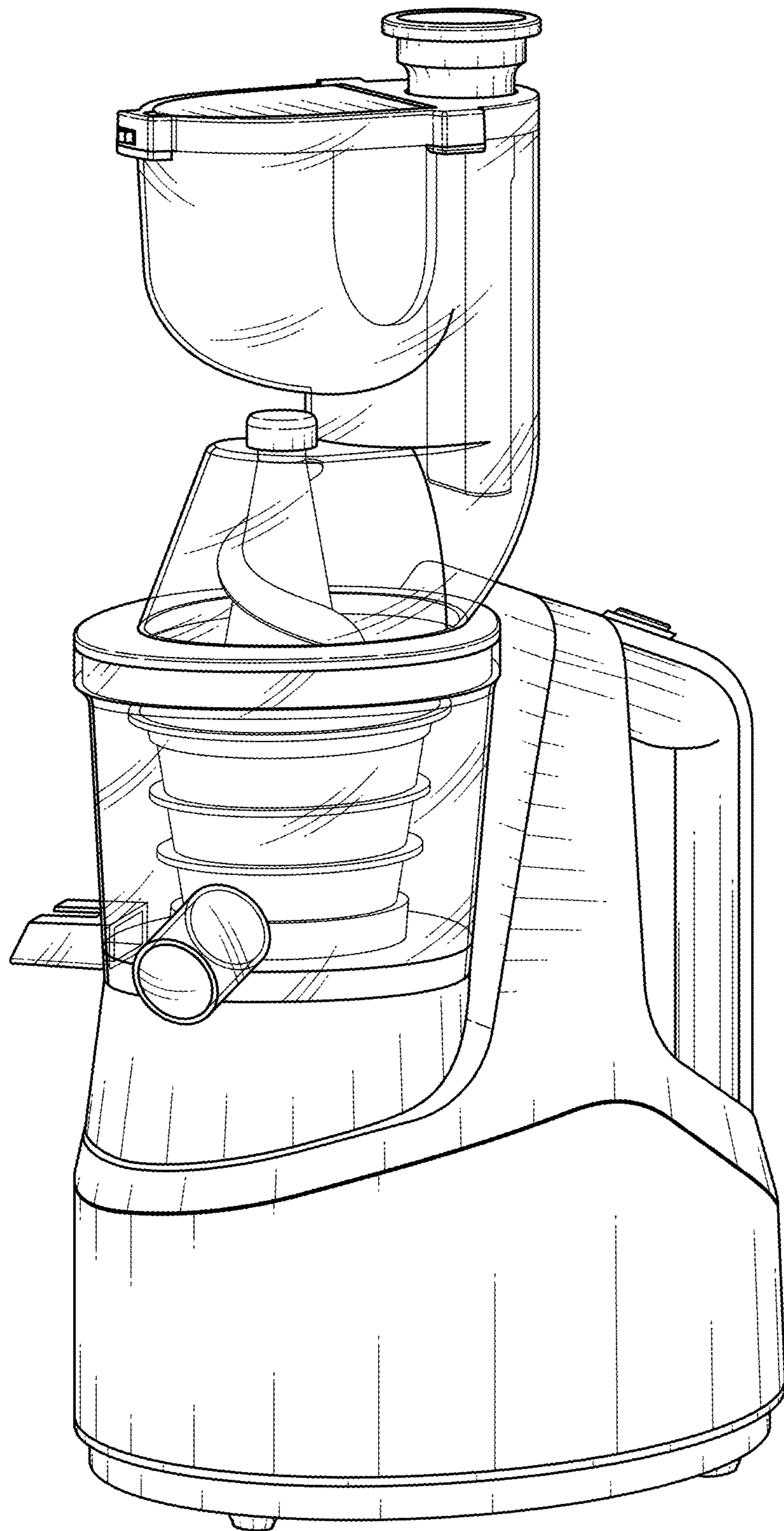


FIG. 1

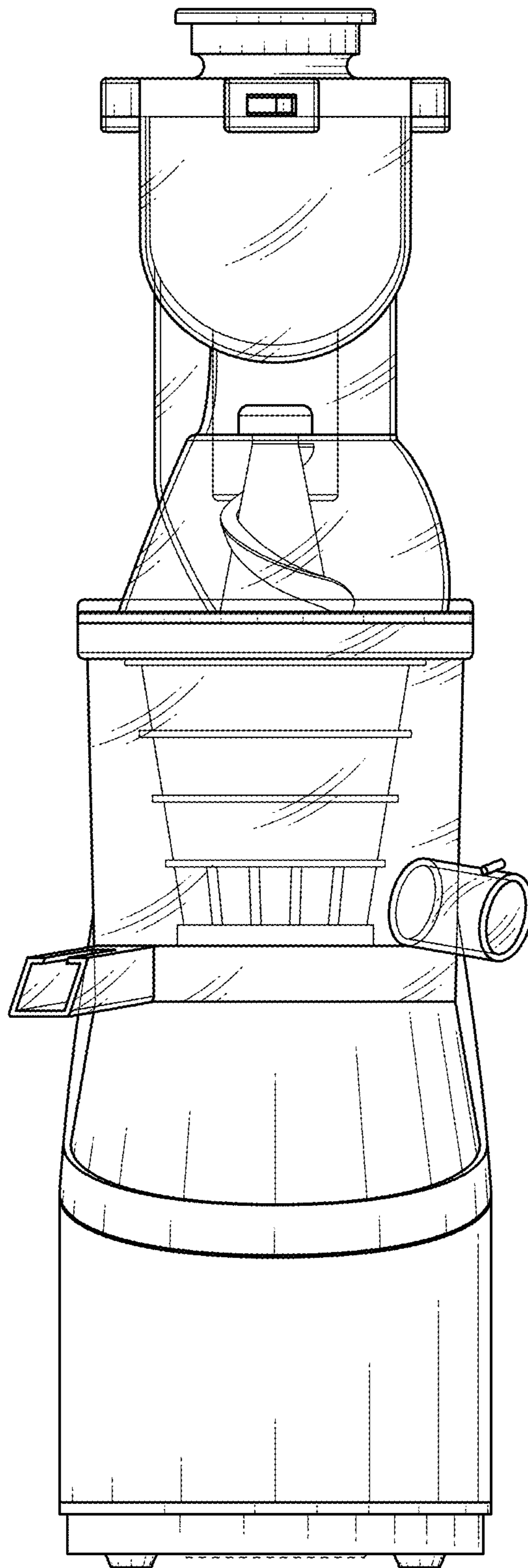


FIG. 2

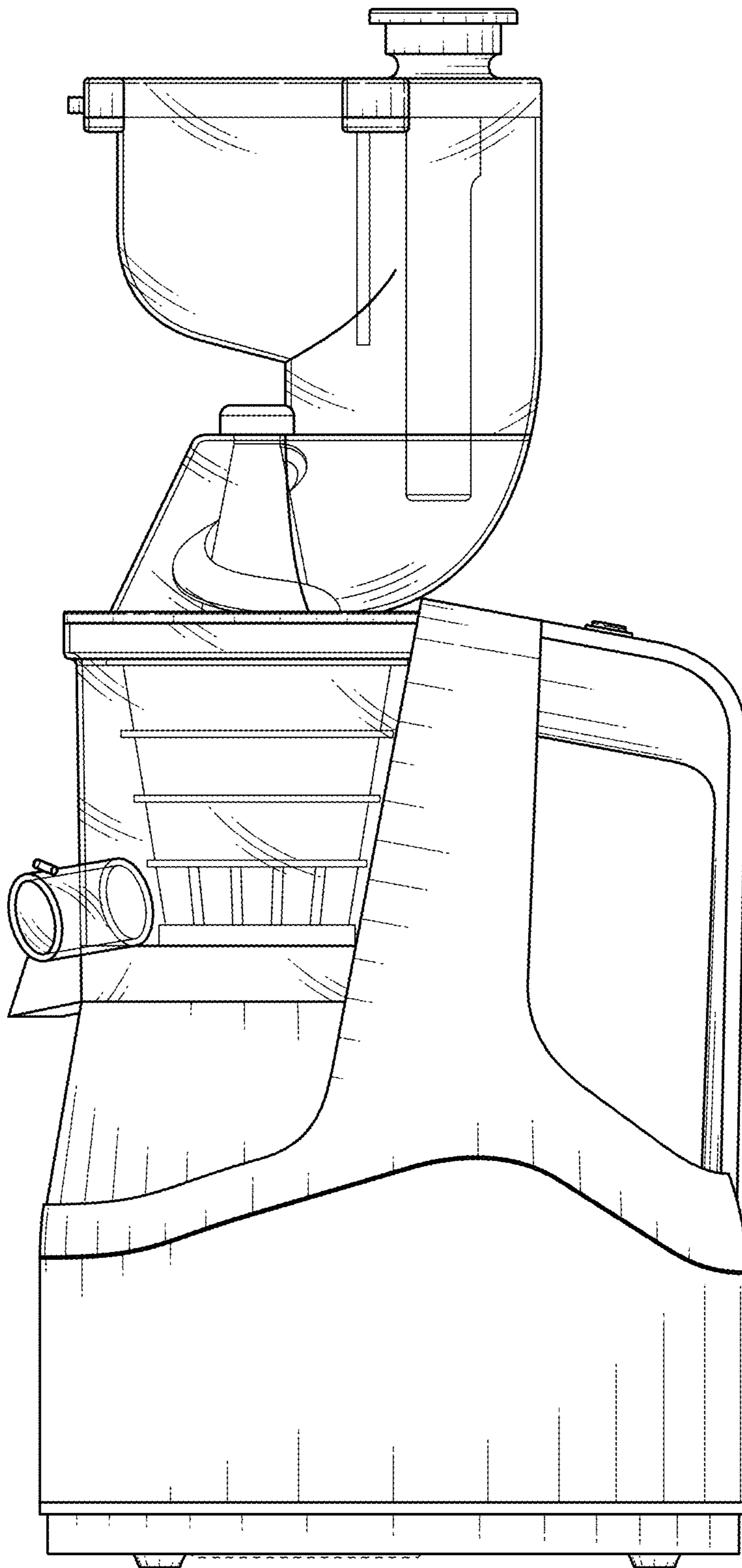


FIG. 3

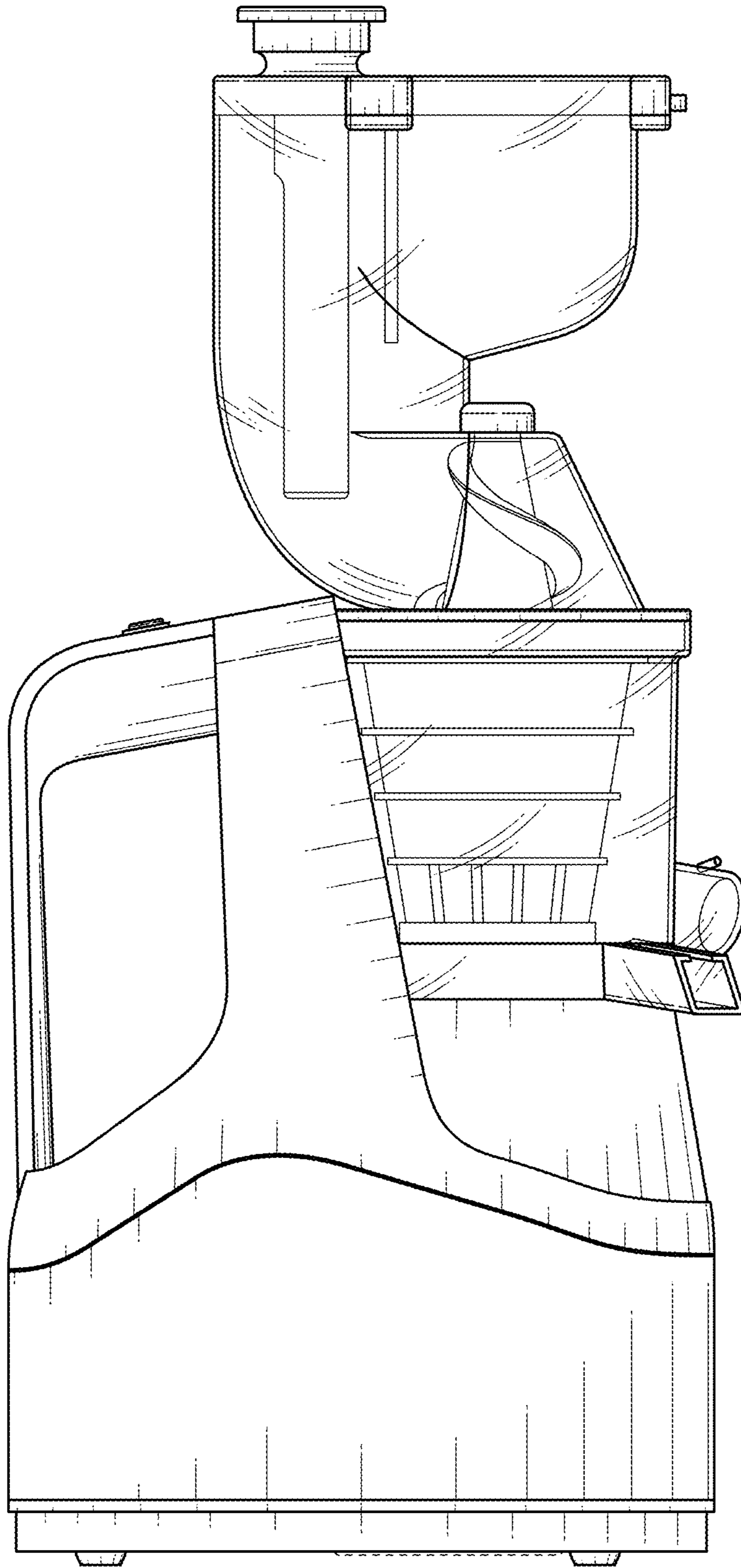


FIG. 4

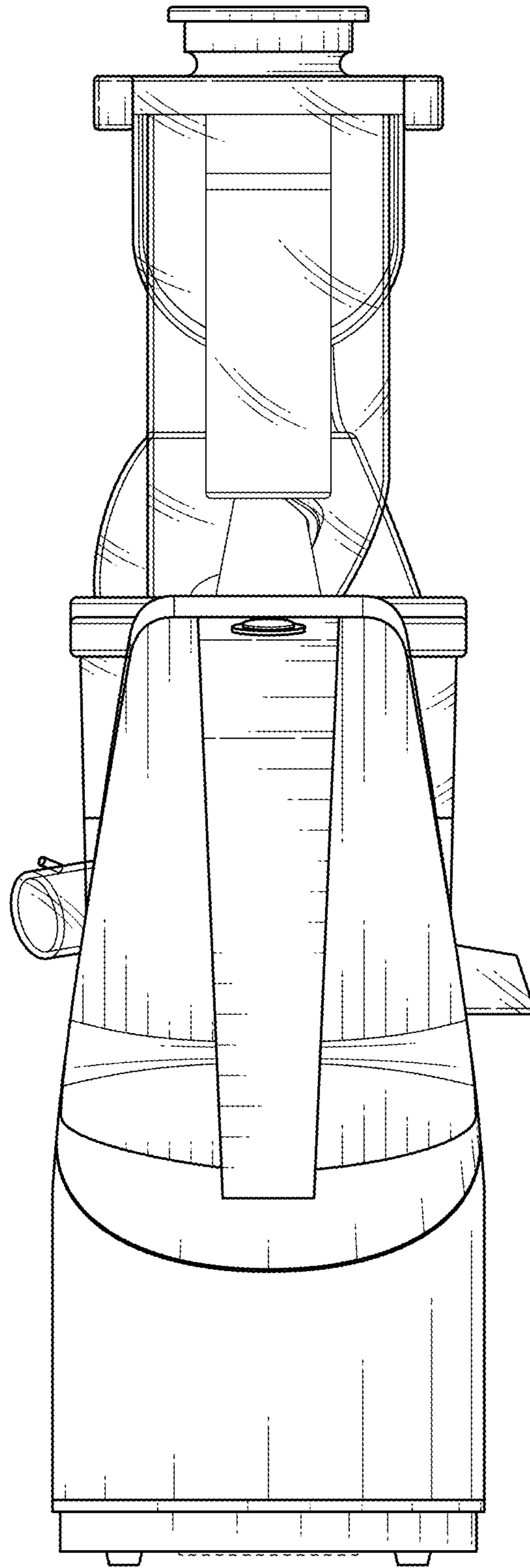


FIG. 5

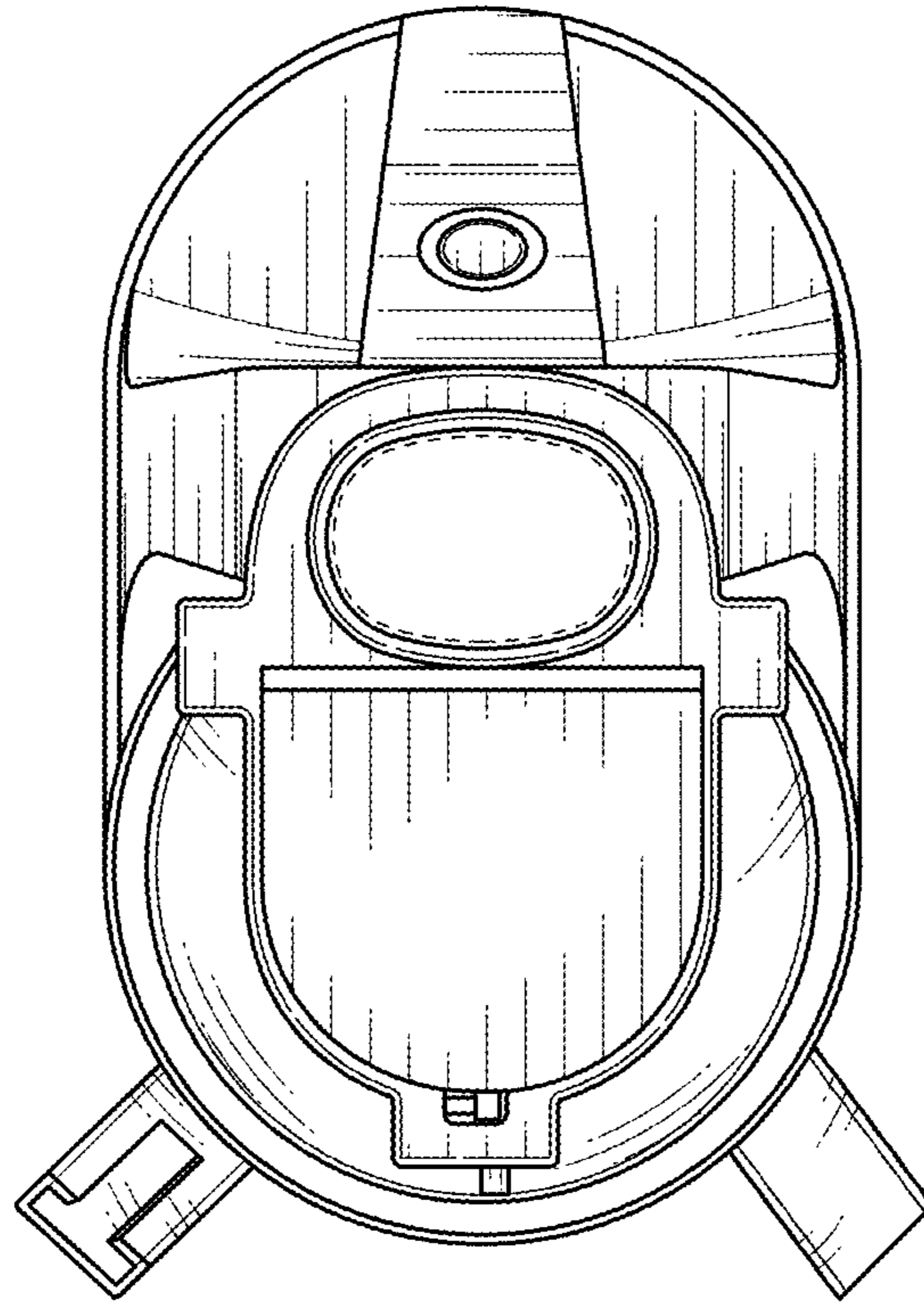


FIG. 6

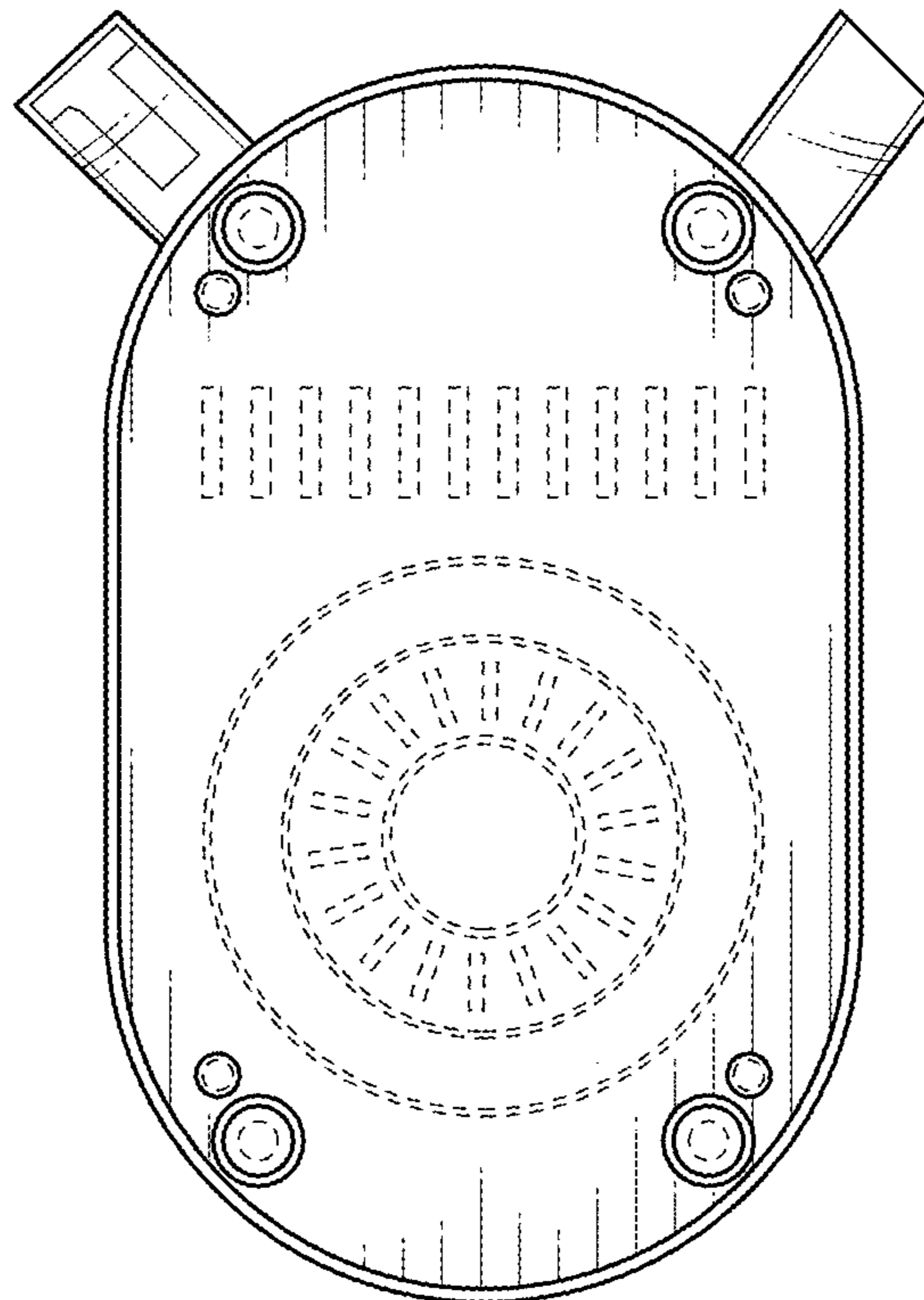


FIG. 7