



US00D911787S

(12) **United States Design Patent** (10) **Patent No.:** **US D911,787 S**
Kim et al. (45) **Date of Patent:** **** Mar. 2, 2021**

(54) **SERVING SPOON**

(71) Applicants: **Min Kim**, Jersey City, NJ (US);
Edward Lee, Brooklyn, NY (US);
Mason Adam Umholtz, Sunnyvale, CA
(US); **Marc-Aurelien Vivant**,
Brooklyn, NY (US)

(72) Inventors: **Min Kim**, Jersey City, NJ (US);
Edward Lee, Brooklyn, NY (US);
Mason Adam Umholtz, Sunnyvale, CA
(US); **Marc-Aurelien Vivant**,
Brooklyn, NY (US)

(73) Assignee: **Helen of Troy Limited**, St. Michael
(BB)

(**) Term: **15 Years**

(21) Appl. No.: **29/702,277**

(22) Filed: **Aug. 18, 2019**

(51) **LOC (13) Cl.** **07-03**

(52) **U.S. Cl.**
USPC **D7/653**

(58) **Field of Classification Search**
USPC D7/395, 368, 401.2, 642-647, 653-664,
D7/669, 675-677, 682-683, 688-689,
D7/691-692; D8/107, 300-301;
D22/117-118
CPC ... A01D 9/02; A01D 9/04; A01D 9/06; A47G
21/00; A47G 21/004; A47G 21/005;
A47G 21/02; A47G 21/023; A47G 21/04;
A47G 21/06; A47G 21/08; A47J 43/28;
A47J 43/281; A47J 43/282; A47J 43/288;
A61F 13/10; A61J 7/0023; B25G 1/00;
B25G 1/01; B25G 1/02; B25G 3/00;
B65D 75/56; B65D 75/563; B65D
75/566; B67B 7/00; B67B 7/724; B67B
7/73

See application file for complete search history.

(56) **References Cited**

U.S. PATENT DOCUMENTS

| | | | |
|--------------|--------|------------------------|----------|
| D408,217 S * | 4/1999 | LoGiudice | D7/401.2 |
| D477,192 S * | 7/2003 | Bull | D7/692 |
| D520,295 S * | 5/2006 | Schreiber-Pethan | D7/395 |
| D722,838 S * | 2/2015 | Donovan | D7/653 |
| D723,869 S * | 3/2015 | Joseph | D7/401.2 |
| D753,965 S * | 4/2016 | Schuler | D7/692 |
| D765,470 S * | 9/2016 | Schuler | D7/395 |
| D885,855 S * | 6/2020 | Schopf | D7/689 |
| D885,856 S * | 6/2020 | Schopf | D7/689 |

OTHER PUBLICATIONS

OXO Good Grips Stainless Steel Spoon. Date first available on
AMazom.com Jan. 2, 2020. [https://www.amazon.com/OXO-Grips-
Stainless-Steel-Spoon/dp/B083FLHBPW/](https://www.amazon.com/OXO-Grips-Stainless-Steel-Spoon/dp/B083FLHBPW/) Helen of Troy Limited,
parent corporation of OXO International Ltd (Year: 2020).*
<https://www.oxo.com/polished-stainless-steel-spoon-621.html>, pub-
licly available prior to Aug. 18, 2019.

* cited by examiner

Primary Examiner — Ricky Pham

(74) *Attorney, Agent, or Firm* — Rankin, Hill & Clark
LLP

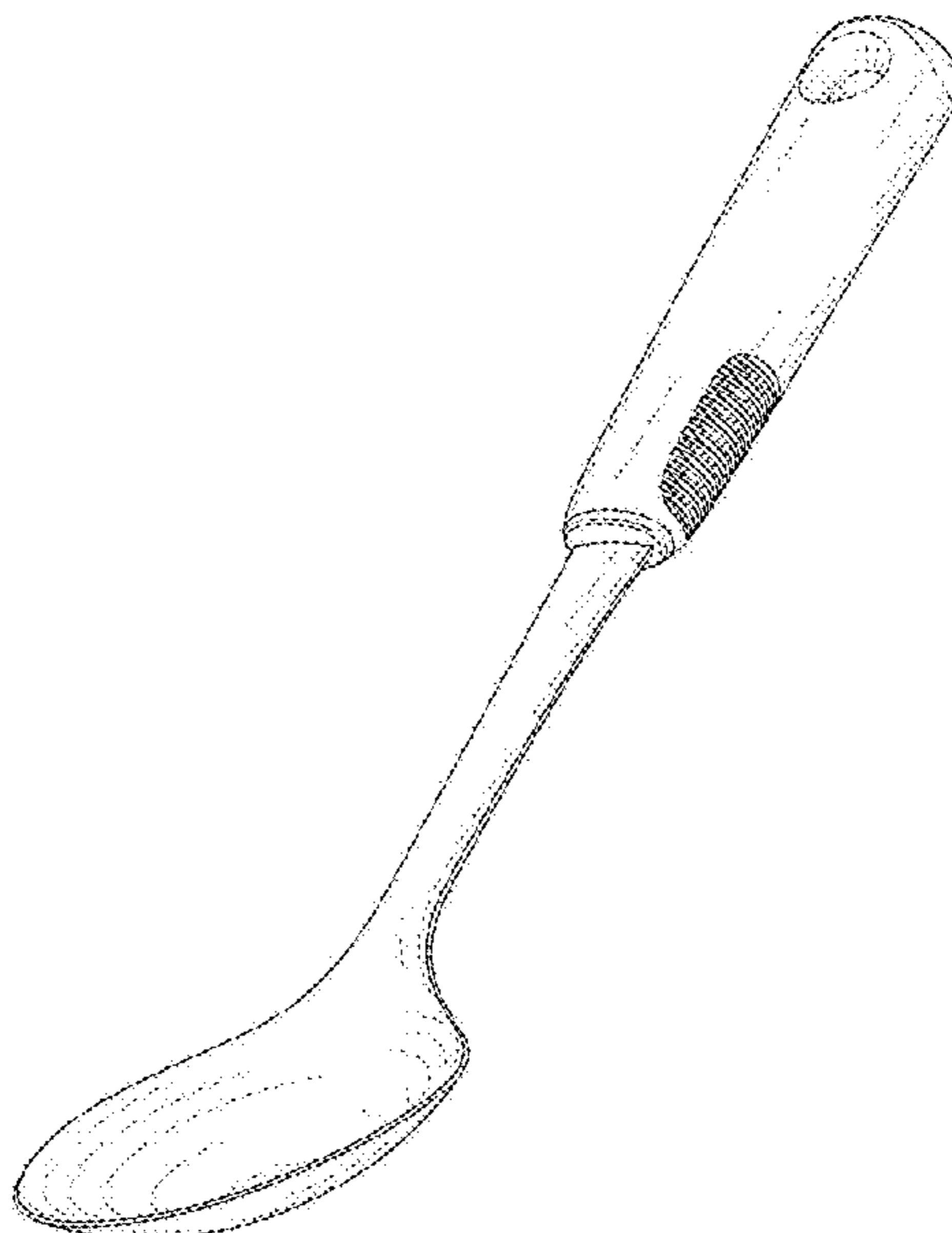
(57) **CLAIM**

The ornamental design for a serving spoon, as shown, and
described.

DESCRIPTION

FIG. 1 is a perspective view of a serving spoon;
FIG. 2 is a front view thereof;
FIG. 3 is a rear view thereof;
FIG. 4 is a right elevation view thereof, the left elevation
view being a mirror image thereof;
FIG. 5 is a top plan view thereof; and,
FIG. 6 is a bottom plan view thereof.

1 Claim, 6 Drawing Sheets



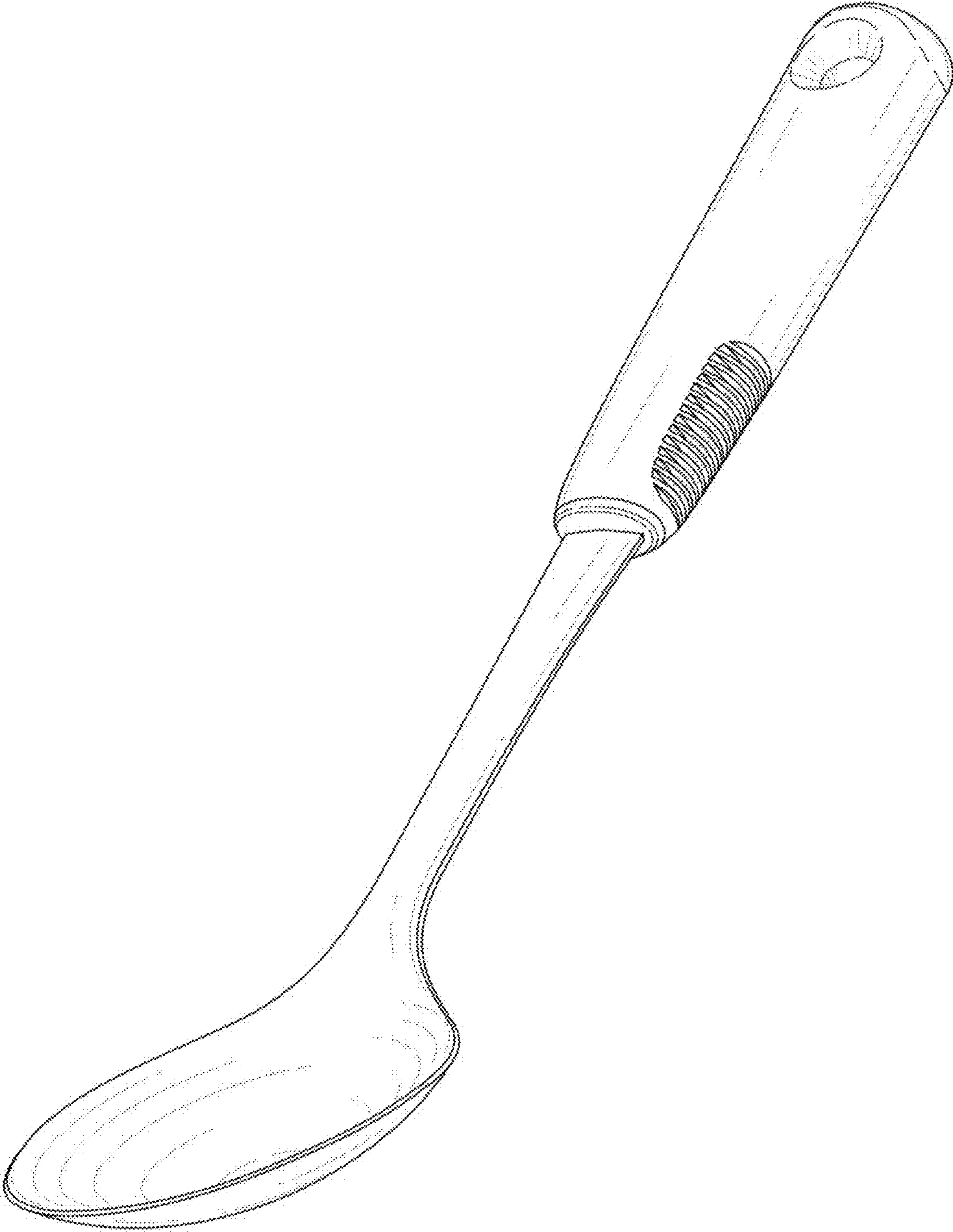


FIG. 1

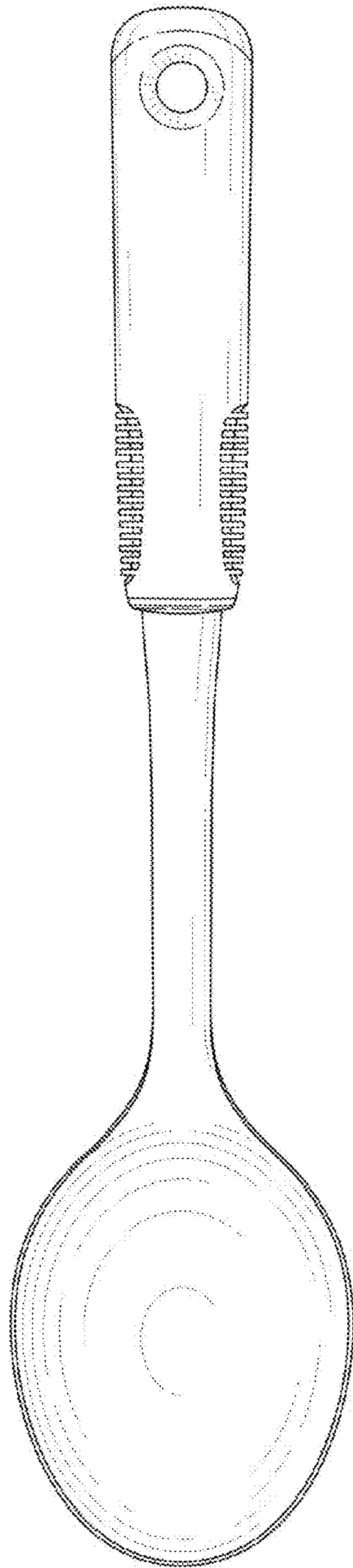


FIG. 2

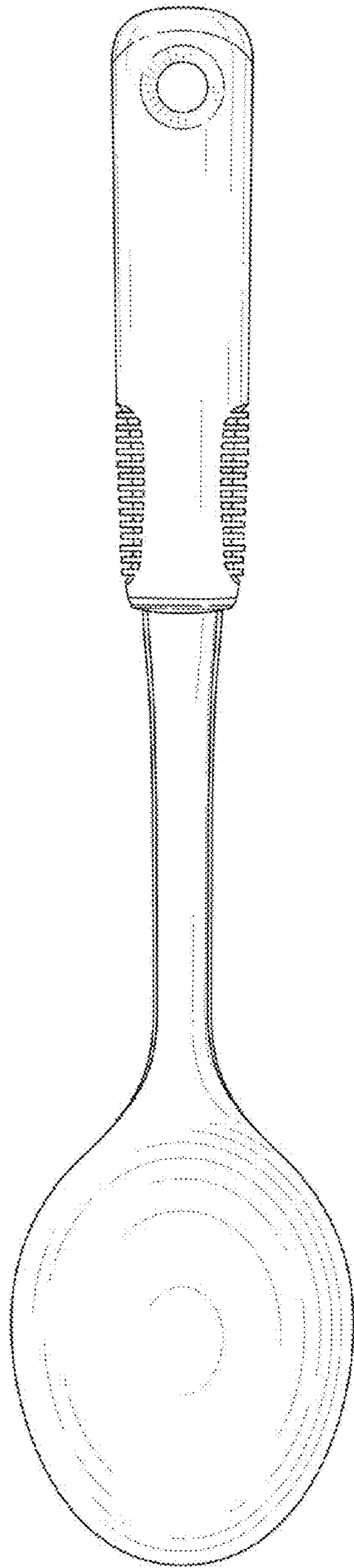


FIG. 3

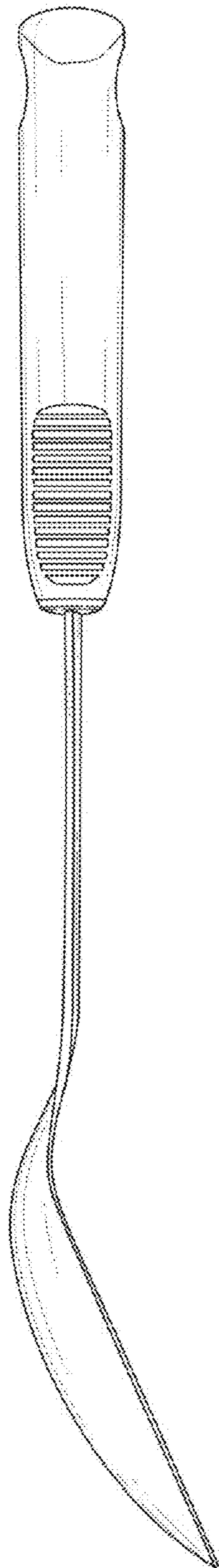


FIG. 4

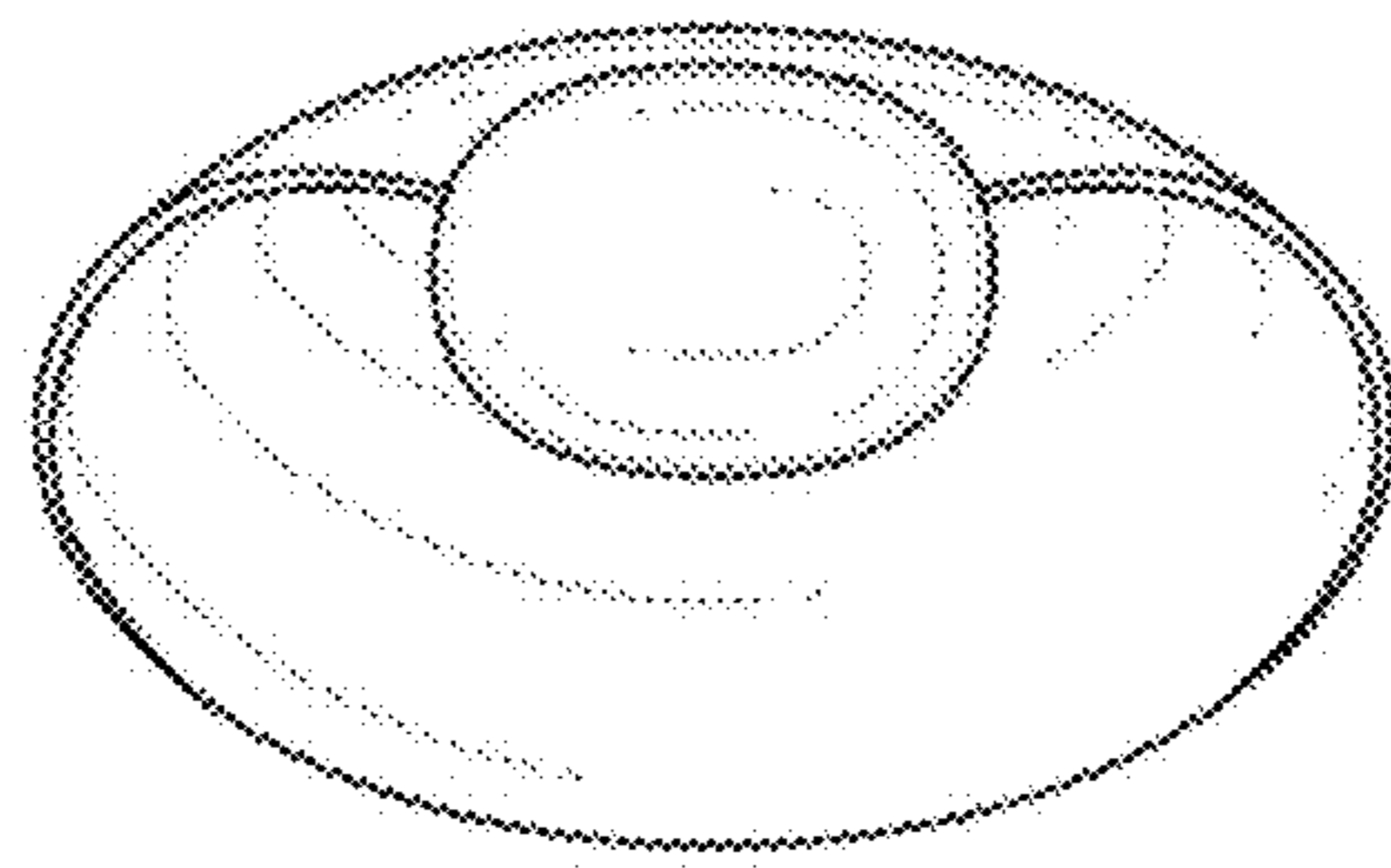


FIG. 5

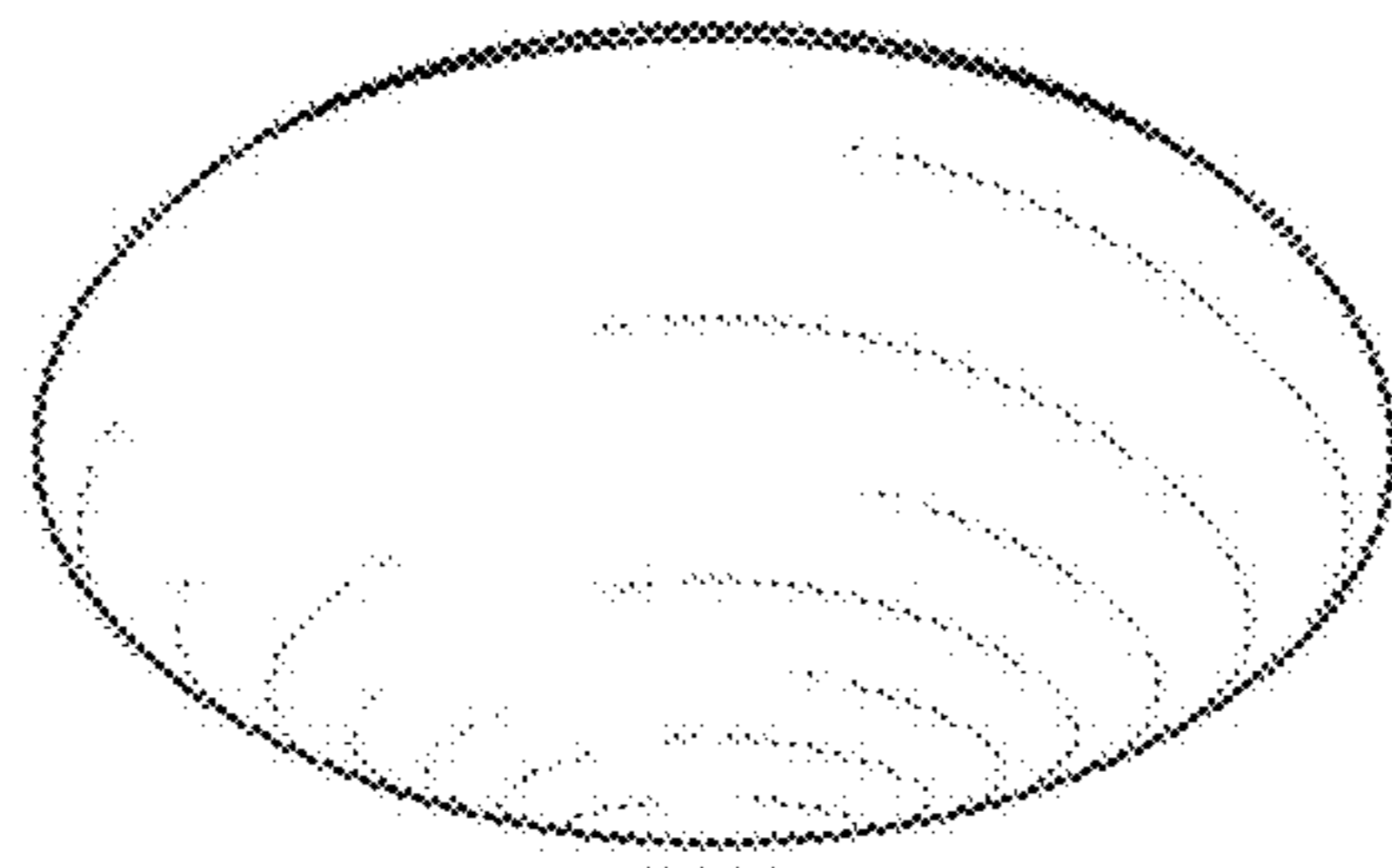


FIG. 6