



US00D911786S

(12) **United States Design Patent**  
**Kim et al.**

(10) **Patent No.:** **US D911,786 S**  
(45) **Date of Patent:** **\*\* Mar. 2, 2021**

(54) **SPOON**

(56) **References Cited**

(71) Applicants: **Min Kim**, Jersey City, NJ (US);  
**Edward Lee**, Brooklyn, NY (US);  
**Mason Adam Umholtz**, Sunnyvale, CA  
(US); **Marc-Aurelien Vivant**,  
Brooklyn, NY (US)

U.S. PATENT DOCUMENTS

D140,265 S *	2/1945	Farber .....	D7/647
D202,916 S *	11/1965	Bliss .....	D7/692
D206,548 S *	12/1966	Latham .....	D7/647
D301,533 S *	6/1989	Zimmerman .....	D7/647
D306,115 S *	2/1990	Zimmerman .....	D7/669
4,969,268 A *	11/1990	Kelly, III .....	A47J 43/288 16/110.1
D489,584 S *	5/2004	Cohen .....	D7/692
D507,725 S *	7/2005	White .....	D7/647
D545,151 S *	6/2007	Lion .....	D7/691
D588,420 S *	3/2009	Waldman .....	D7/647
D618,523 S *	6/2010	Jalet .....	D7/692
D644,893 S *	9/2011	Jossem .....	D7/682
D744,300 S *	12/2015	Genatossio .....	D7/692

(72) Inventors: **Min Kim**, Jersey City, NJ (US);  
**Edward Lee**, Brooklyn, NY (US);  
**Mason Adam Umholtz**, Sunnyvale, CA  
(US); **Marc-Aurelien Vivant**,  
Brooklyn, NY (US)

(73) Assignee: **Helen of Troy Limited**, St. Michael  
(BB)

(\*\*) Term: **15 Years**

OTHER PUBLICATIONS

KitchenAid KO004OH0BA Gourmet Nylon Slotted Spoon. Date first available on AMazon.com Jun. 27, 2019 <https://www.amazon.com/dp/B07TLNSYSC/> (Year: 2019).\*  
<https://www.oxo.com/polished-stainless-steel-slotted-spoon-622.html>, publicly available prior to Aug. 18, 2019.

(21) Appl. No.: **29/702,276**

(22) Filed: **Aug. 18, 2019**

\* cited by examiner

(51) **LOC (13) Cl.** ..... **07-03**

(52) **U.S. Cl.**  
USPC ..... **D7/653**

*Primary Examiner* — Ricky Pham

(58) **Field of Classification Search**  
USPC ..... D7/395, 368, 401.2, 642–647, 653–664,  
D7/669, 675–677, 682–683, 688–689,  
D7/691–692; D8/107, 300–301;  
D22/117–118

(74) *Attorney, Agent, or Firm* — Rankin, Hill & Clark  
LLP

CPC ... A01D 9/02; A01D 9/04; A01D 9/06; A47G  
21/00; A47G 21/004; A47G 21/005;  
A47G 21/02; A47G 21/023; A47G 21/04;  
A47G 21/06; A47G 21/08; A47J 43/28;  
A47J 43/281; A47J 43/282; A47J 43/288;  
A61F 13/10; A61J 7/0023; B25G 1/00;  
B25G 1/01; B25G 1/02; B25G 3/00;  
B65D 75/56; B65D 75/563; B65D  
75/566; B67B 7/00; B67B 7/724; B67B  
7/73

(57) **CLAIM**

The ornamental design for a spoon, as shown, and described.

**DESCRIPTION**

FIG. 1 is a perspective view of a spoon;  
FIG. 2 is a front view thereof;  
FIG. 3 is a rear view thereof;  
FIG. 4 is a right elevation view thereof, the left elevation  
view being a mirror image thereof;

(Continued)

See application file for complete search history.

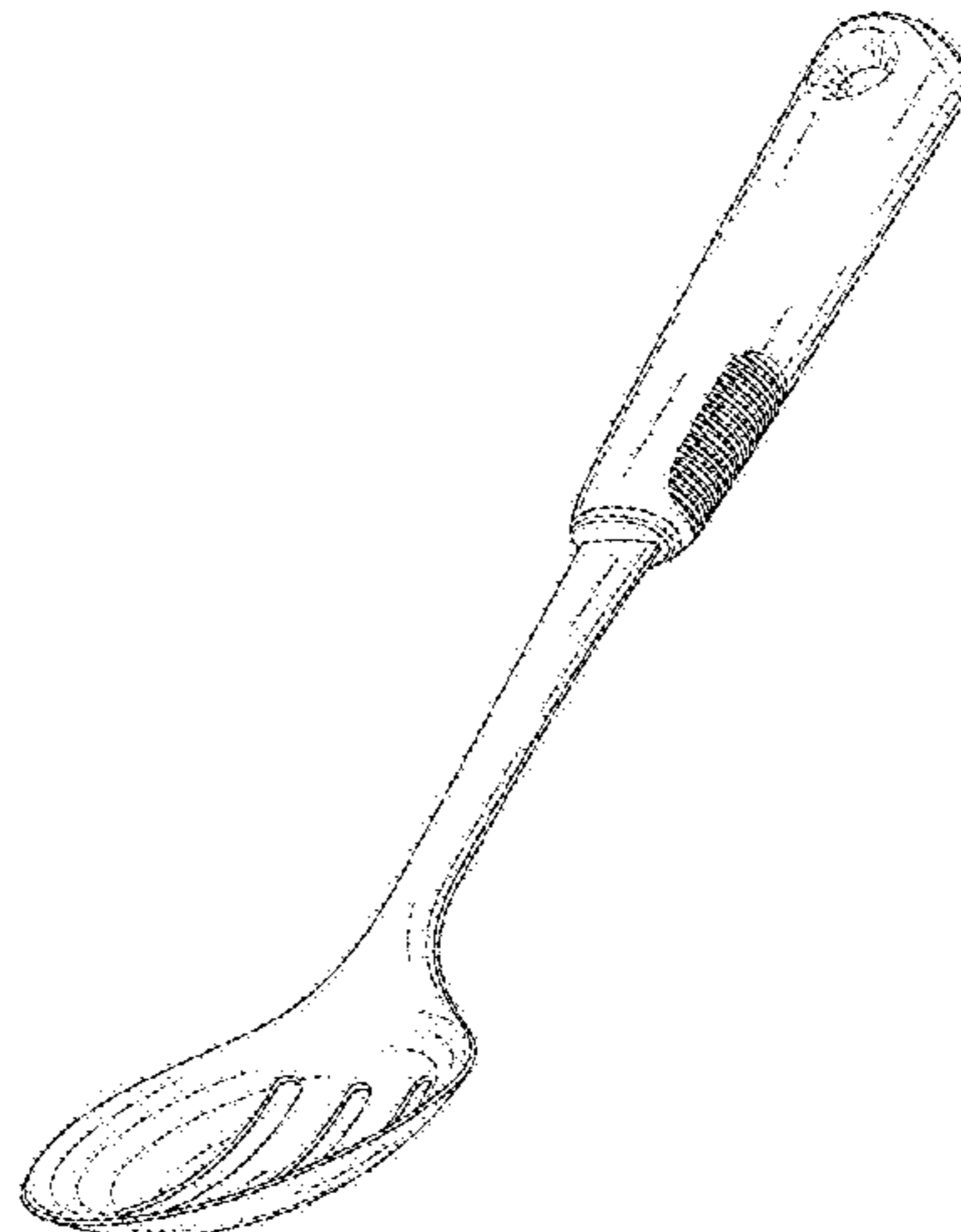


FIG. **5** is a top plan view thereof; and,  
FIG. **6** is a bottom plan view thereof.

**1 Claim, 6 Drawing Sheets**

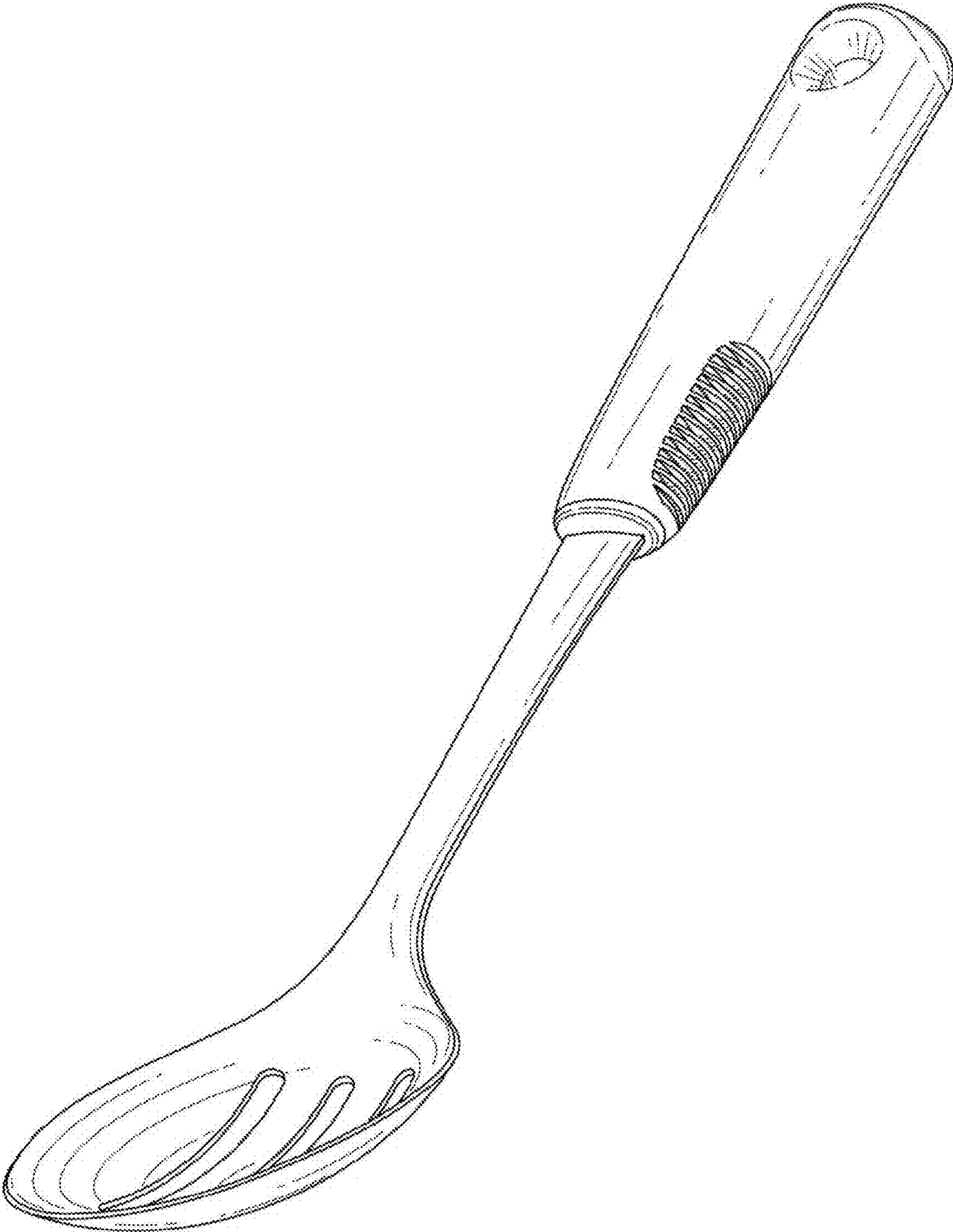


FIG. 1

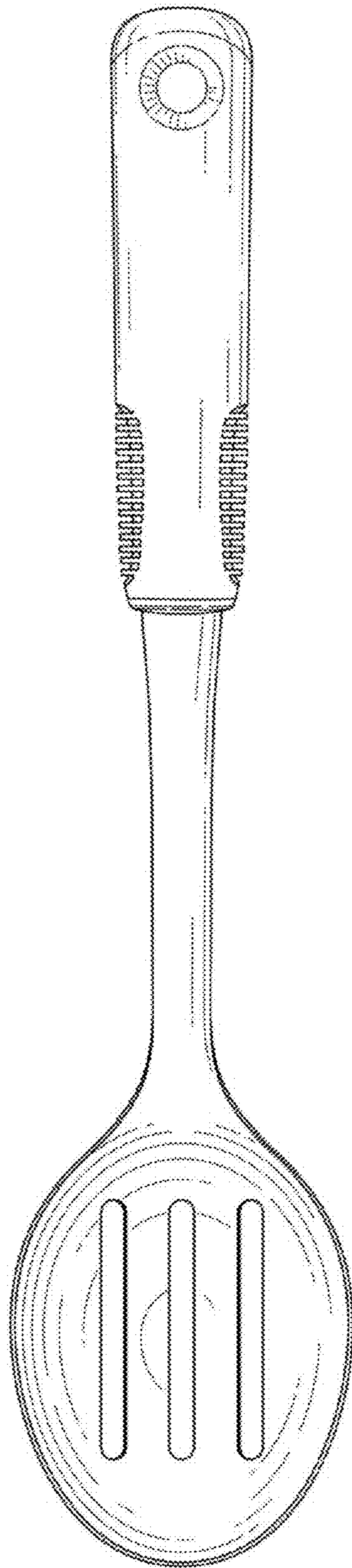


FIG. 2

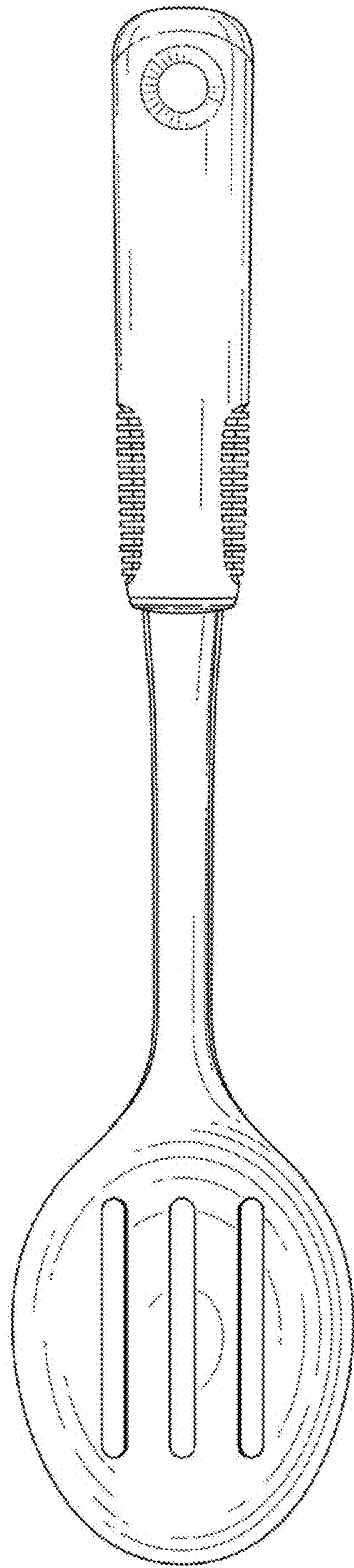


FIG. 3

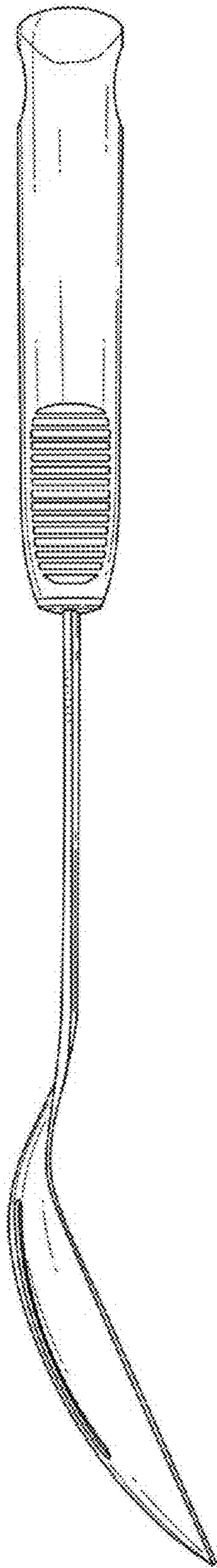


FIG. 4

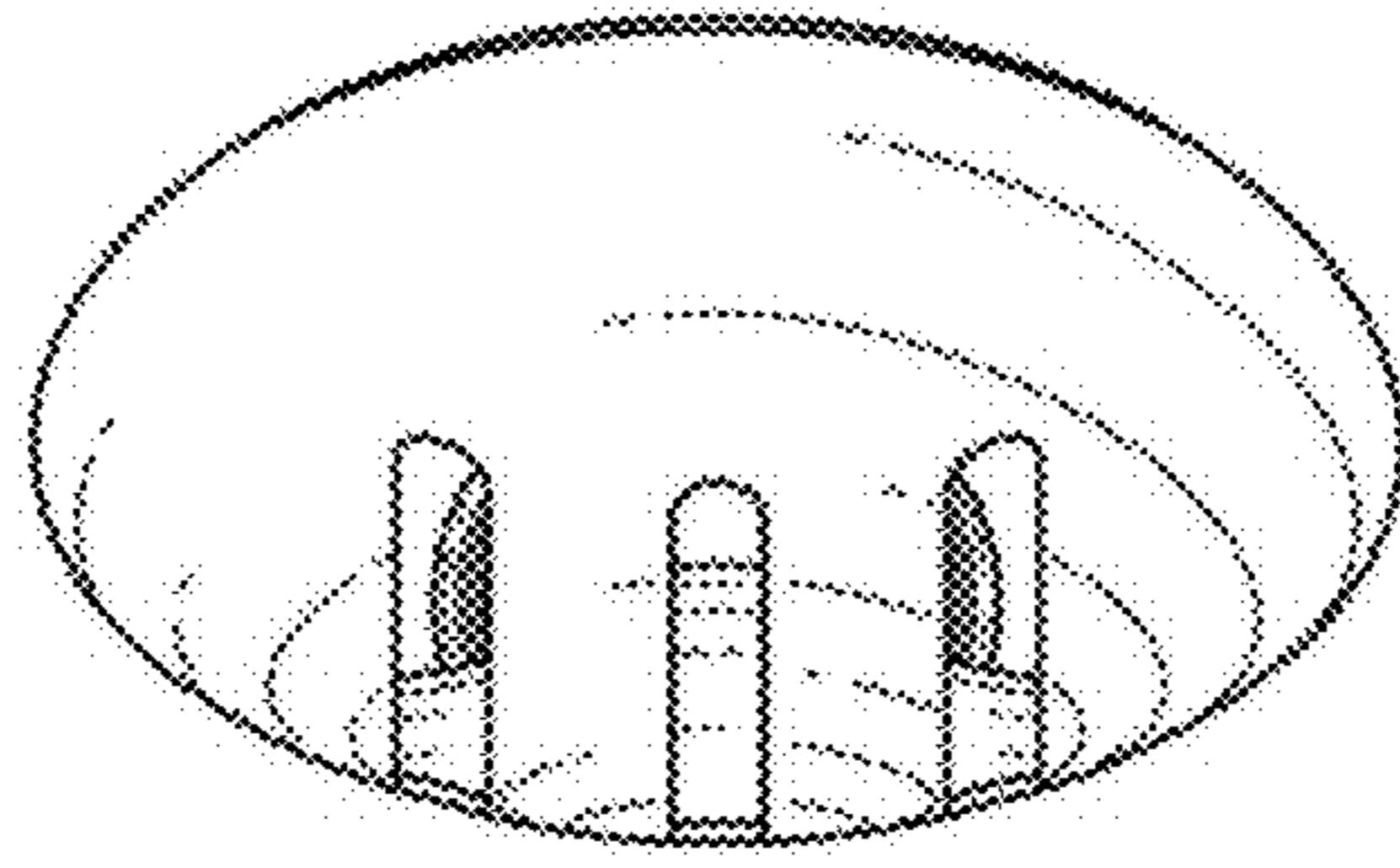


FIG. 5

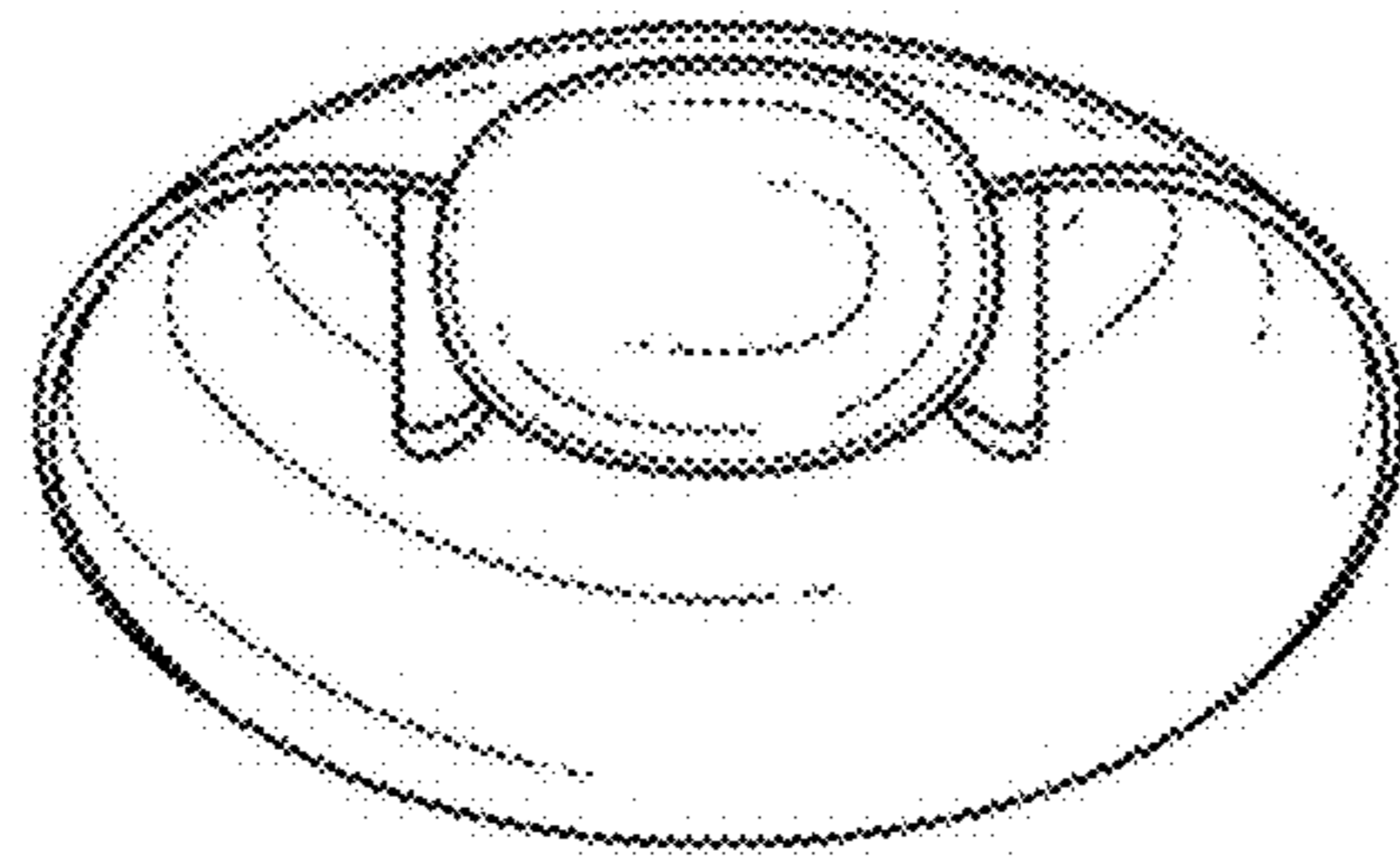


FIG. 6