



US00D911783S

(12) **United States Design Patent** (10) **Patent No.:** **US D911,783 S**  
**Wahl** (45) **Date of Patent:** **\*\* Mar. 2, 2021**

(54) **FOOD CONTAINER**  
(71) Applicant: **Pacific Market International, LLC**,  
Seattle, WA (US)  
(72) Inventor: **Andrew C. F. Wahl**, Seattle, WA (US)  
(73) Assignee: **Pacific Market International, LLC**,  
Seattle, WA (US)  
(\*\*) Term: **15 Years**  
(21) Appl. No.: **29/691,996**  
(22) Filed: **May 21, 2019**  
(51) **LOC (13) Cl.** ..... **07-07**  
(52) **U.S. Cl.**  
USPC ..... **D7/605; D7/601**  
(58) **Field of Classification Search**  
USPC ..... D7/601, 602, 603, 605, 607, 624.2, 703;  
D3/202  
CPC ..... B65D 77/24  
See application file for complete search history.

(56) **References Cited**

U.S. PATENT DOCUMENTS

D261,593 S \* 11/1981 Miyazaki ..... D7/603  
D266,391 S \* 10/1982 Jordon ..... D7/608  
D432,367 S \* 10/2000 Segura ..... D7/608  
D442,833 S \* 5/2001 Shuman ..... D7/608  
D557,076 S 12/2007 Wahl  
D557,994 S 12/2007 Wahl  
D629,657 S \* 12/2010 Carreno ..... D7/629  
D658,944 S \* 5/2012 Gilbert ..... D7/511  
D660,084 S \* 5/2012 Gilbert ..... D7/538  
D660,655 S \* 5/2012 Wahl ..... D7/629  
D704,006 S \* 5/2014 Gonzales ..... D7/624.2  
D727,688 S \* 4/2015 Hewitt ..... D7/624.2  
D774,362 S \* 12/2016 Wahl ..... A47J 33/00  
D779,891 S \* 2/2017 Seiders ..... D7/624.2  
D780,533 S \* 3/2017 Seiders ..... D7/624.2  
D786,025 S \* 5/2017 Seiders ..... D7/624.2

D806,566 S \* 1/2018 Pisarevsky ..... D9/717  
D809,924 S \* 2/2018 Miros ..... D9/532  
D817,114 S 5/2018 Beckman

OTHER PUBLICATIONS

L.L. Bean website, Stanley All-in-One Food Jar and Spork, Publication date unknown, [site visited Aug. 16, 2020], Available on the Internet URL <https://www.llbean.com/llb/shop/124981> (Year: 2020).\*  
Guthrie, Emily Claire, Pending US. Appl. No. 29/577,671, filed Sep. 14, 2016, 37 pages.  
"Food Thermos" Available on the Internet URL <http://item.gmarket.co.kr/DetailView/Item.asp?goodscode=8714264638&GoodsSale=Y&jaeuid=200001169&NaPm=ct%3Dkd8d8dxc%7Cci%3D261a2a2ae6860dfd05285db331db9554da1608a4%7Ctr%3Dsl%7Csn%3D24%7Chk%3Dc03da252b6bdcf2e44e14ba047e1b979b0519e2e>; Publication date Nov. 30, 2016, 1 page screenshot.

\* cited by examiner

*Primary Examiner* — Karen S Acker  
*Assistant Examiner* — Steven B Reinholdt, Jr.  
(74) *Attorney, Agent, or Firm* — Davis Wright Tremaine, LLP; George C. Rondeau, Jr.

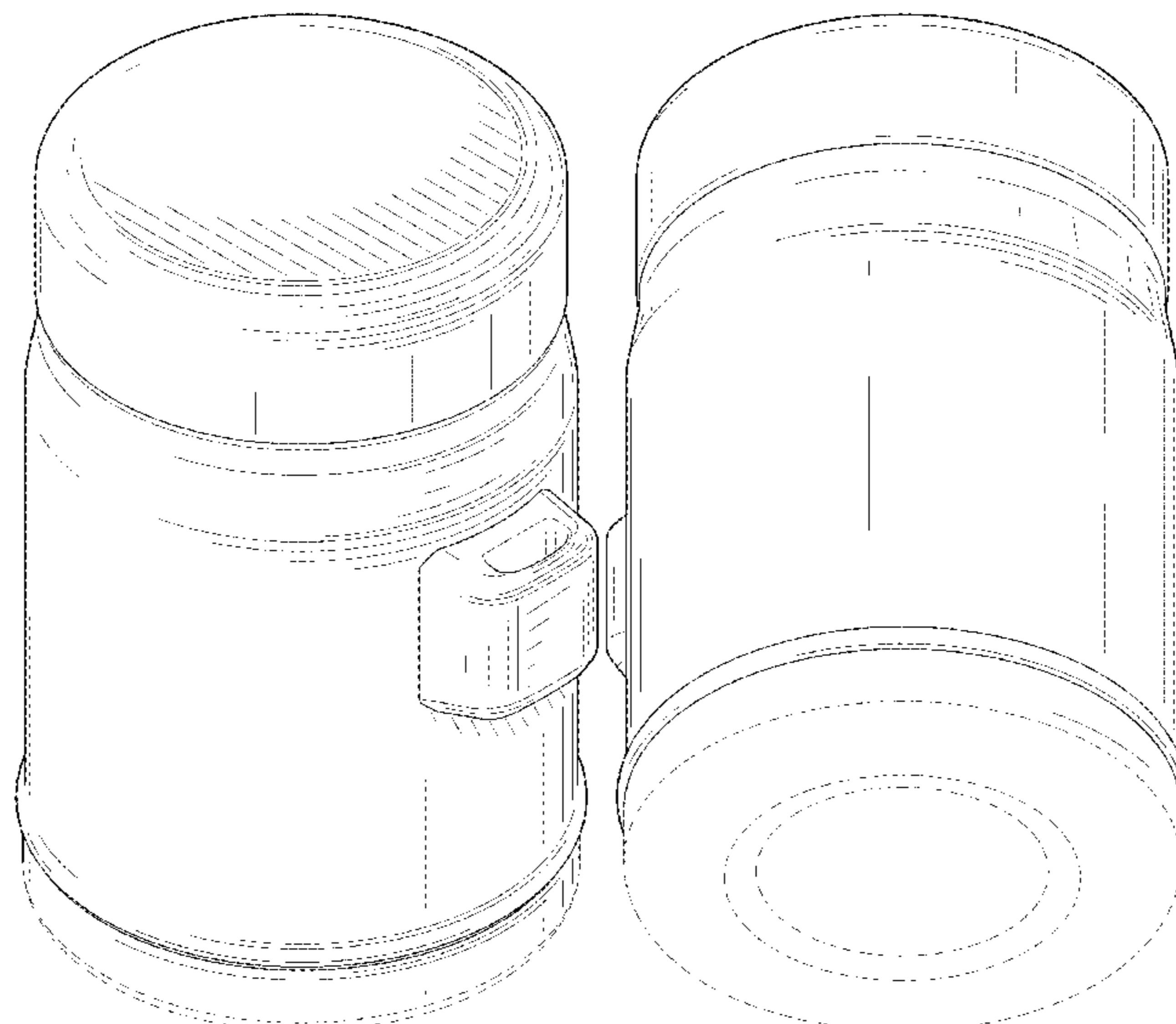
(57) **CLAIM**

The ornamental design for a food container, as shown and described.

**DESCRIPTION**

FIG. 1 is a top perspective view of a food container showing my new design.  
FIG. 2 is a bottom perspective view thereof.  
FIG. 3 is a front elevational view thereof.  
FIG. 4 is a right side elevational view thereof.  
FIG. 5 is a rear elevational view thereof.  
FIG. 6 is a left side elevational view thereof.  
FIG. 7 is a top plan view thereof; and,  
FIG. 8 is a bottom plan view thereof.  
The broken lines depict portions of the food container that form no part of the claimed design.

**1 Claim, 8 Drawing Sheets**



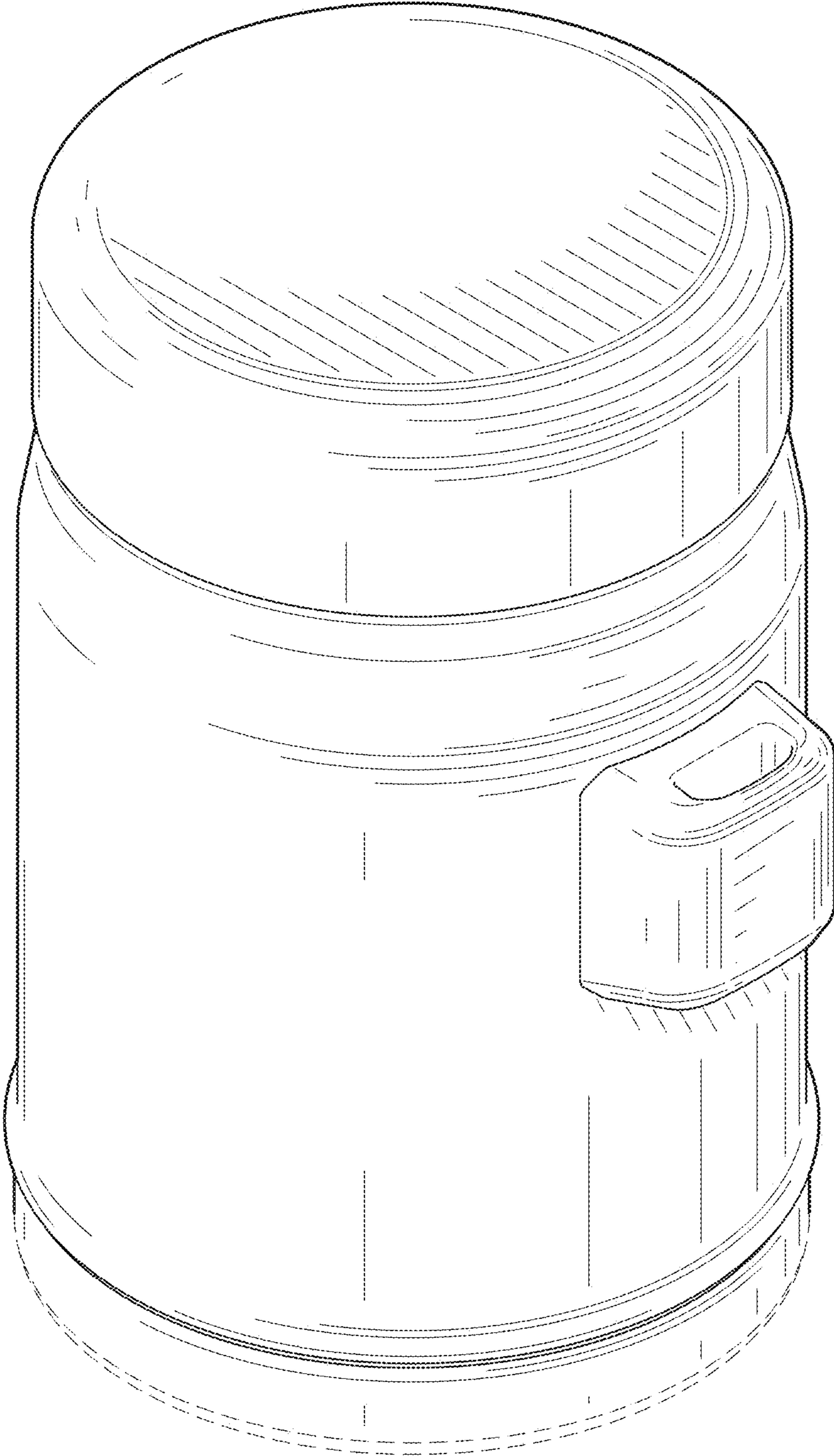


FIG. 1

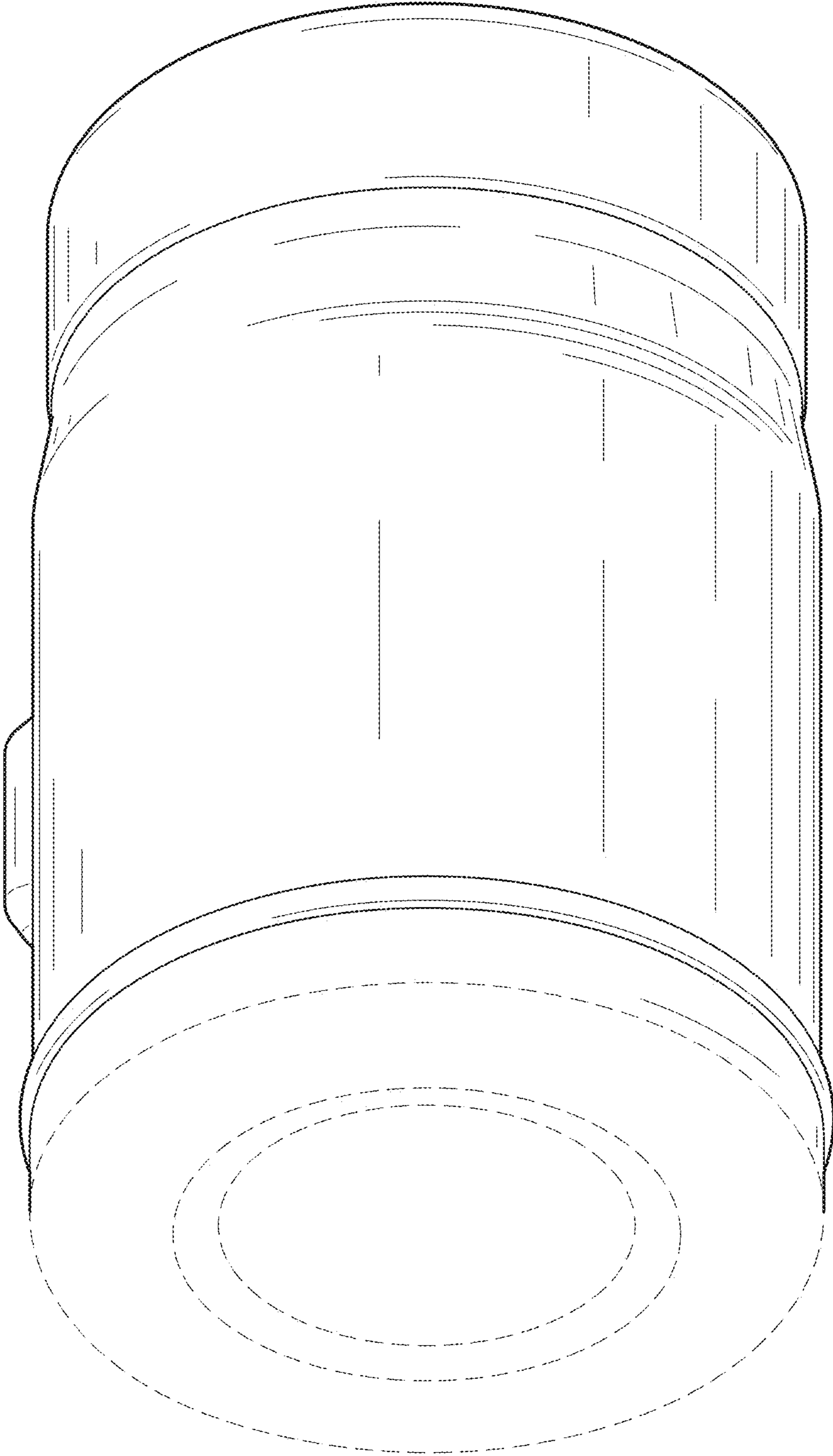


FIG. 2

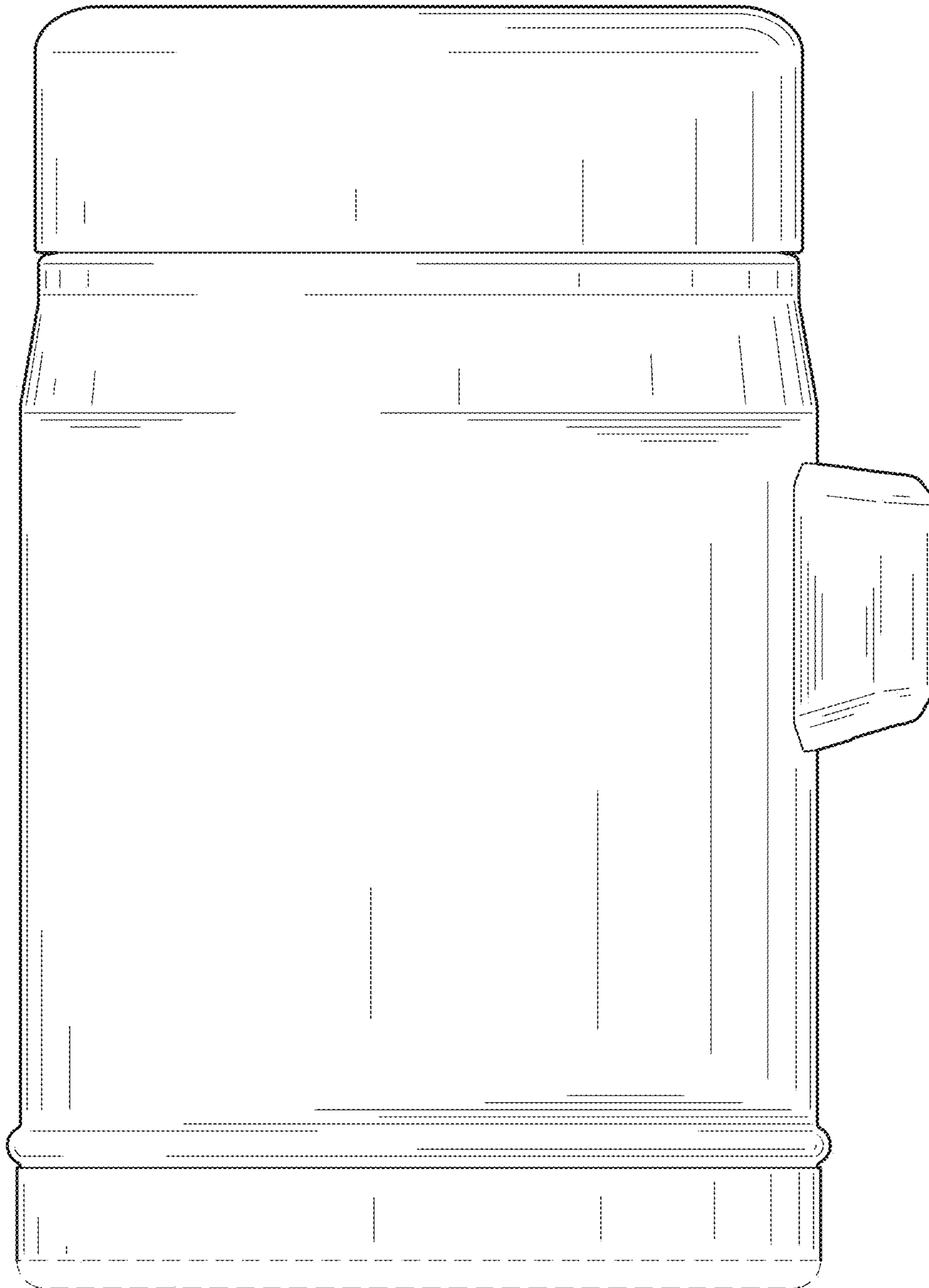


FIG. 3

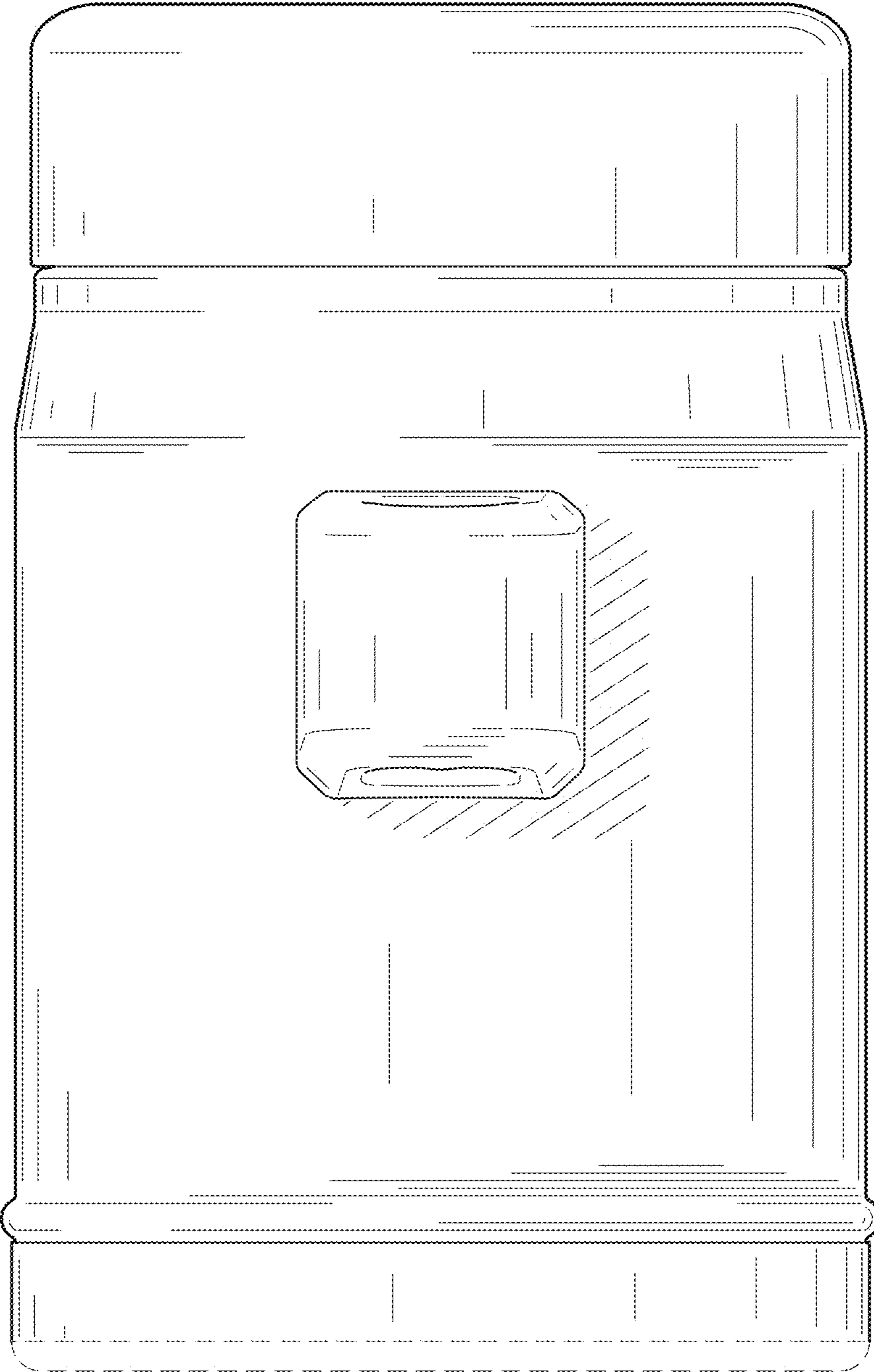


FIG. 4

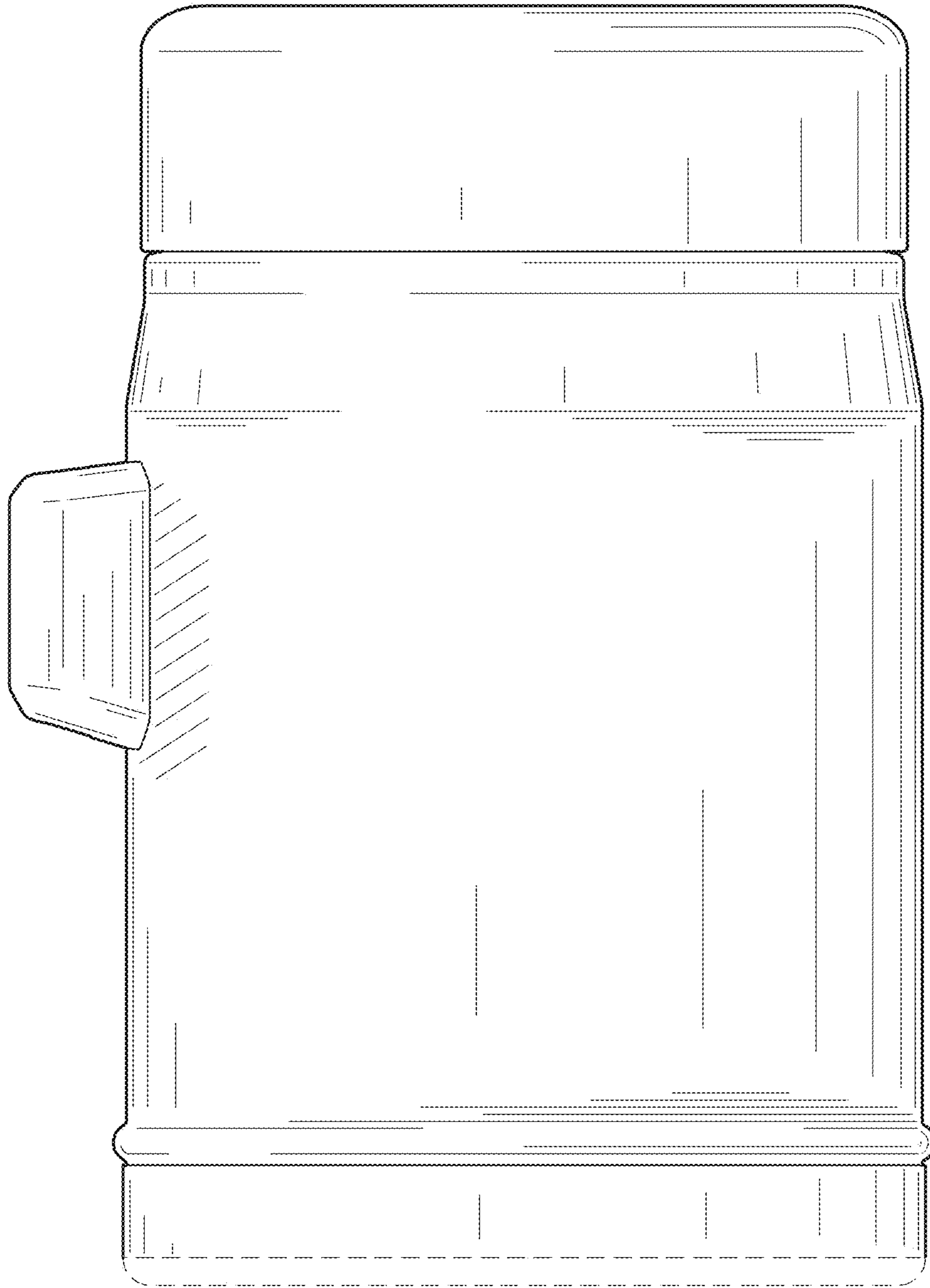


FIG. 5

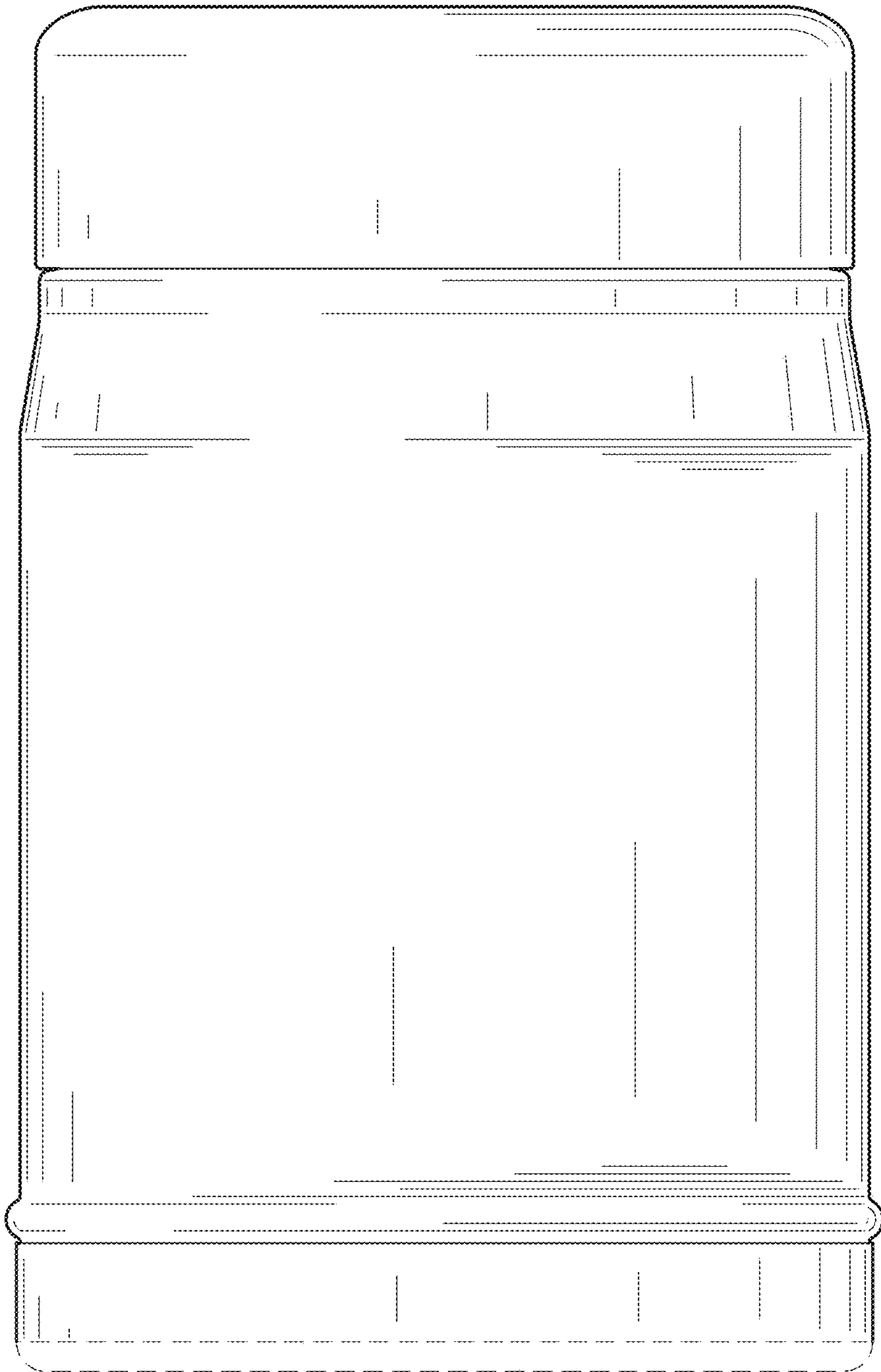


FIG. 6

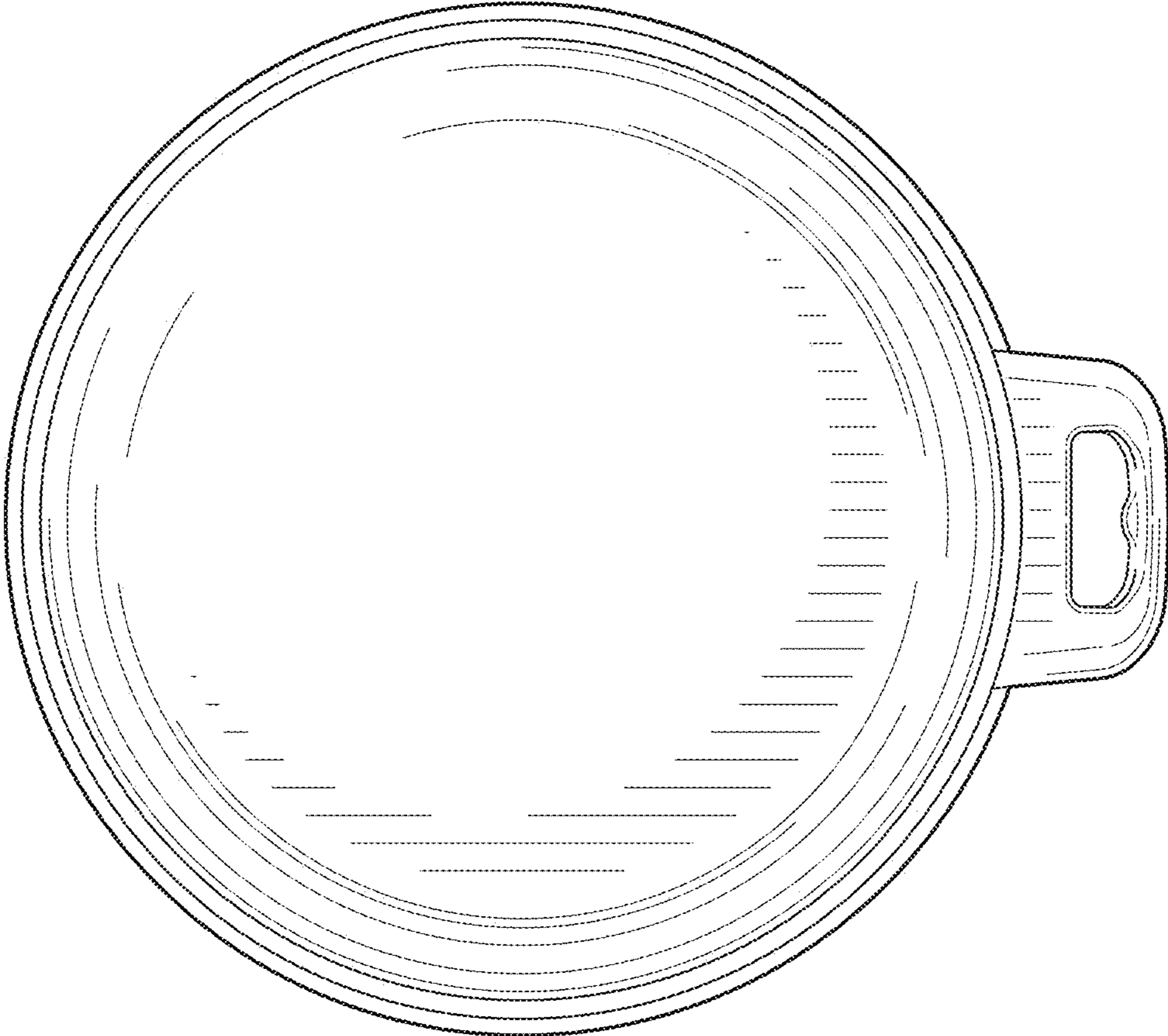


FIG. 7



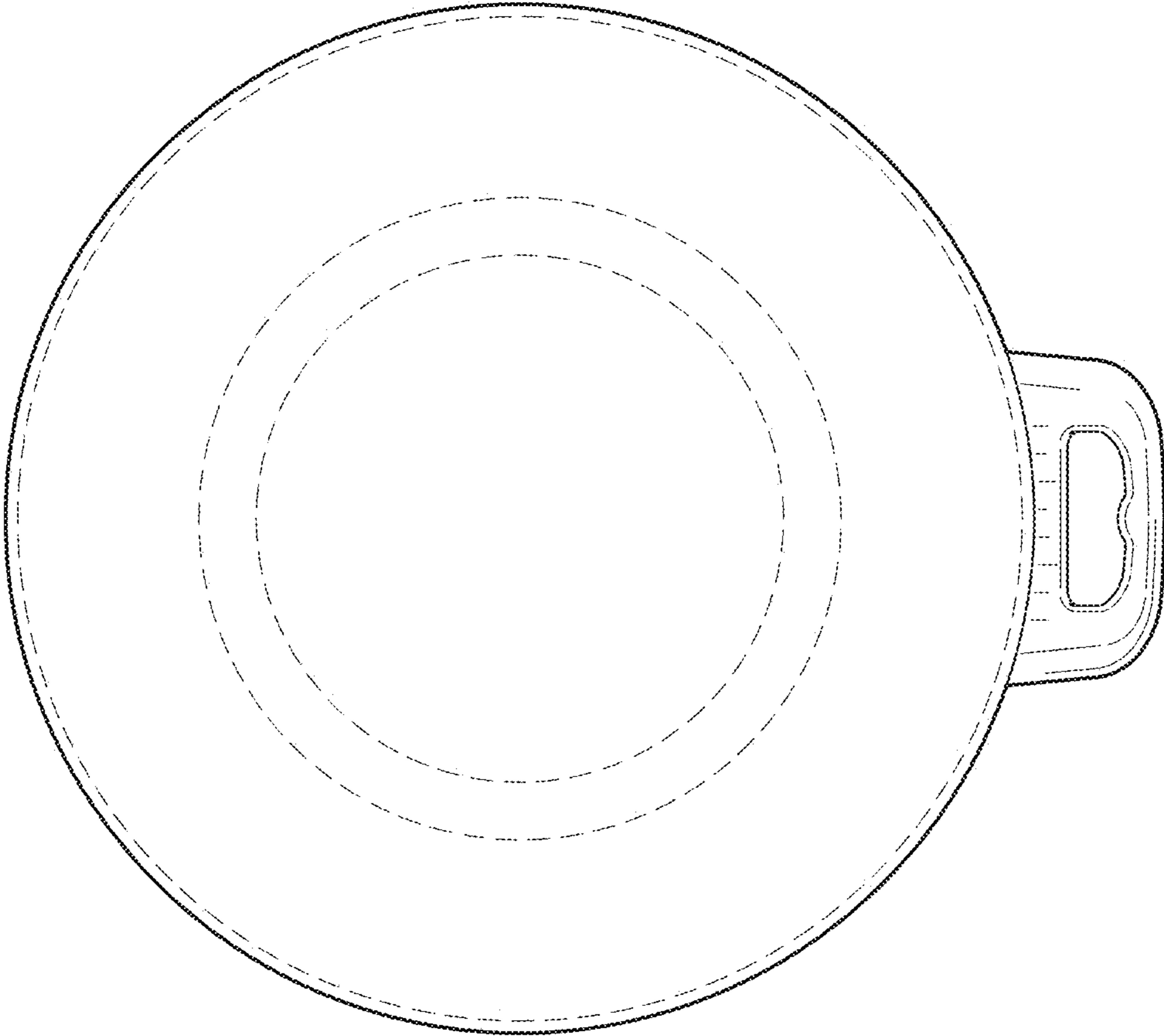


FIG. 8