



US00D911782S

(12) **United States Design Patent**  
**Li**

(10) **Patent No.:** **US D911,782 S**  
(45) **Date of Patent:** **\*\* Mar. 2, 2021**

- (54) **EXPANDABLE SPICE RACK**
- (71) Applicant: **DONGGUAN HUIQICHENG HOUSEHOLD PRODUCTS CO., LTD.**, Dongguan (CN)
- (72) Inventor: **Xuewen Li**, Dongguan (CN)
- (73) Assignee: **DONGGUAN HUIQICHENG HOUSEHOLD PRODUCTS CO., LTD.**, Dongguan (CN)
- (\*\*) Term: **15 Years**
- (21) Appl. No.: **29/752,487**
- (22) Filed: **Sep. 28, 2020**
- (51) **LOC (13) Cl.** ..... **06-04**
- (52) **U.S. Cl.**  
USPC ..... **D7/600.4**
- (58) **Field of Classification Search**  
USPC .... D7/600.1–600.4; D6/675.3, 676.3, 677.3, D6/678.3, 524, 552  
CPC . A47F 7/00; A47F 5/0018; A47F 5/16; A47B 73/00; A47B 46/00; A47J 47/16  
See application file for complete search history.

D747,629 S \* 1/2016 Goodman ..... D7/600.4  
 D802,370 S 11/2017 Tsai  
 2012/0111815 A1\* 5/2012 Berry ..... A47J 47/16  
 211/74

\* cited by examiner

*Primary Examiner* — Terry A Wallace

(57) **CLAIM**

The ornamental design for an expandable spice rack, as shown and described.

**DESCRIPTION**

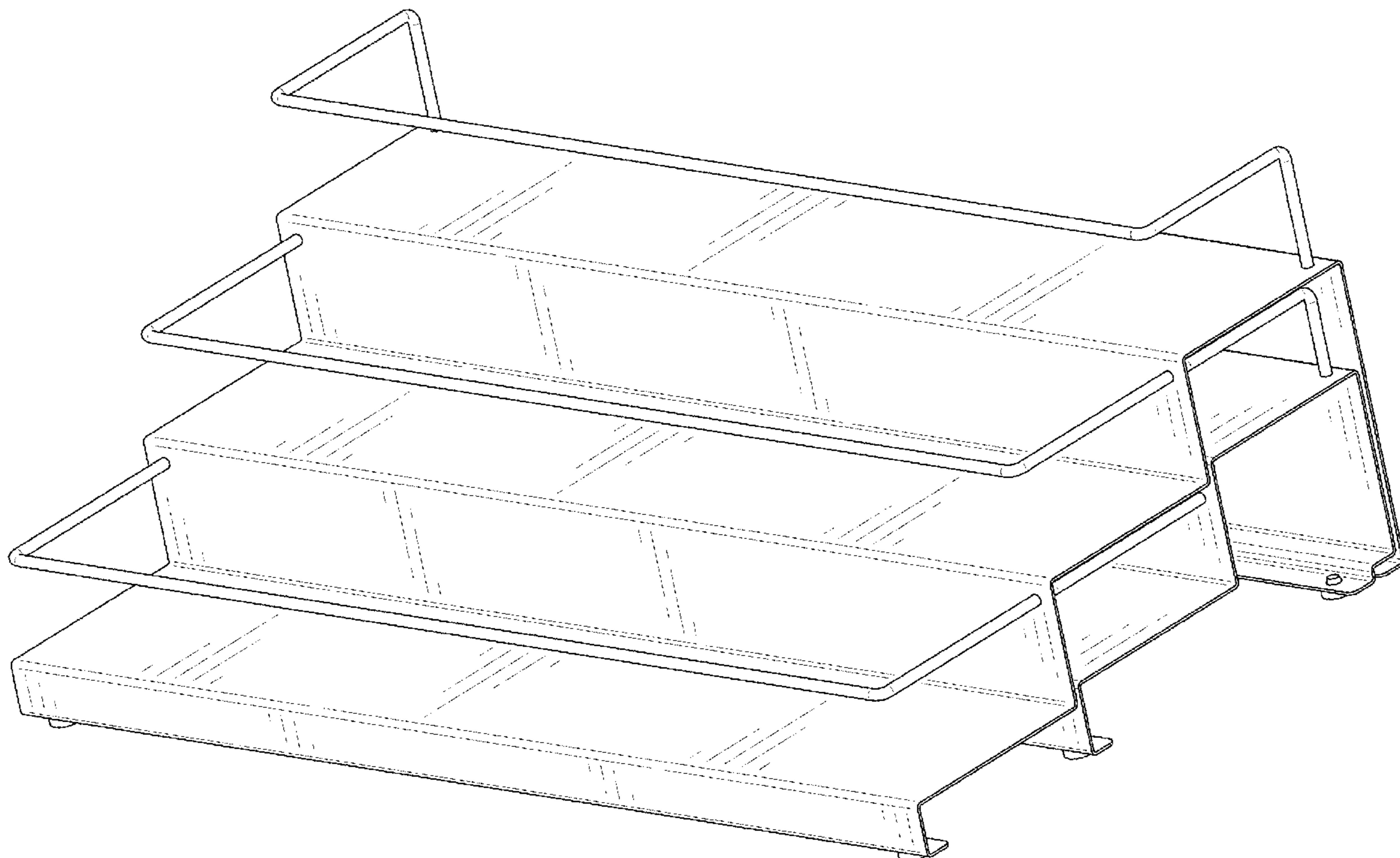
FIG. 1 is a perspective view of an expandable spice rack showing my new design;  
 FIG. 2 is another perspective view thereof;  
 FIG. 3 is a front elevational view thereof;  
 FIG. 4 is a rear elevational view thereof;  
 FIG. 5 is a left side elevational view thereof;  
 FIG. 6 is a right side elevational view thereof;  
 FIG. 7 is a top plan view thereof;  
 FIG. 8 is a bottom plan view thereof; and,  
 FIG. 9 is a perspective view of the expandable spice rack where the expandable spice rack is in a configuration of use.

(56) **References Cited**

**U.S. PATENT DOCUMENTS**

D501,337 S 2/2005 Berger  
 D518,316 S \* 4/2006 Gusdorf ..... D6/675.3

**1 Claim, 9 Drawing Sheets**



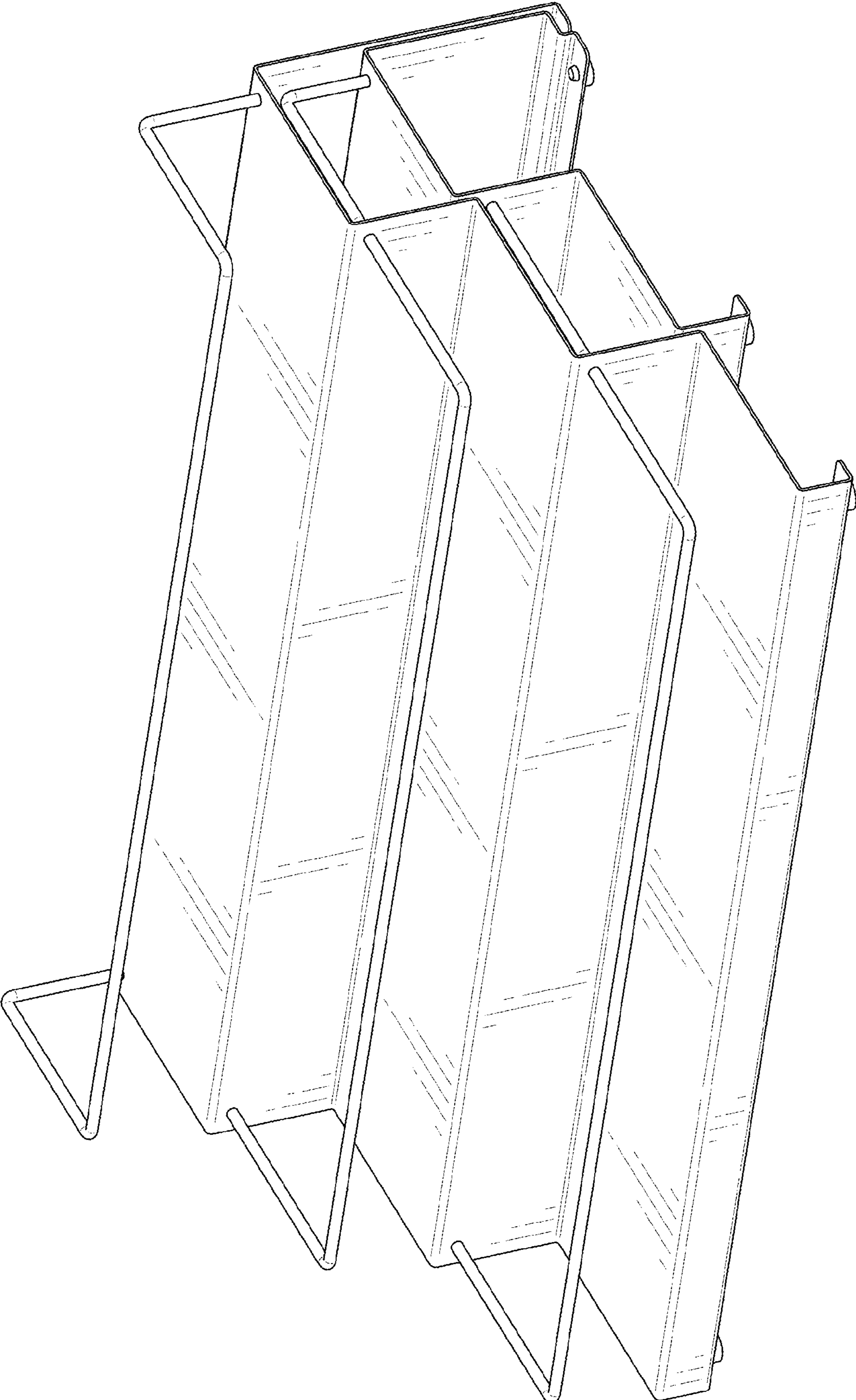


FIG. 1

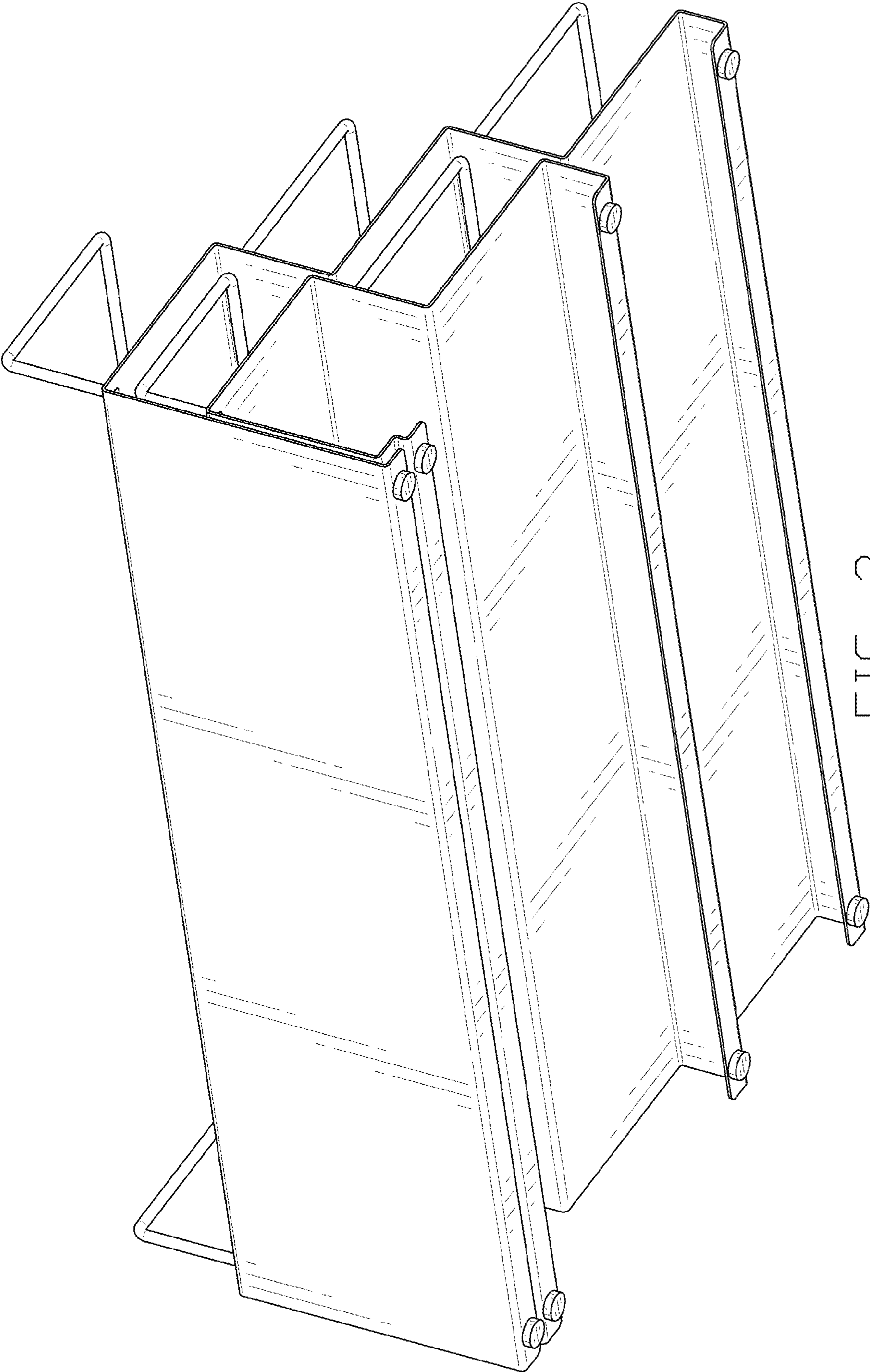


FIG. 2

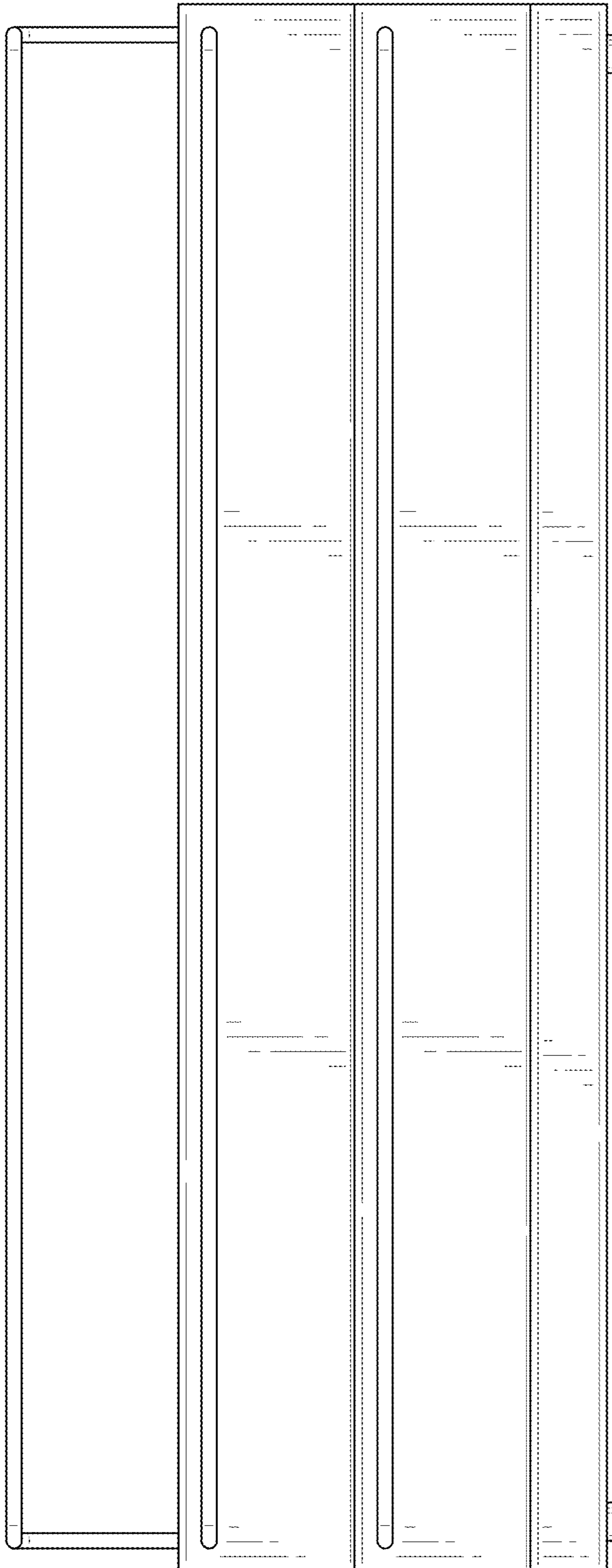


FIG. 3

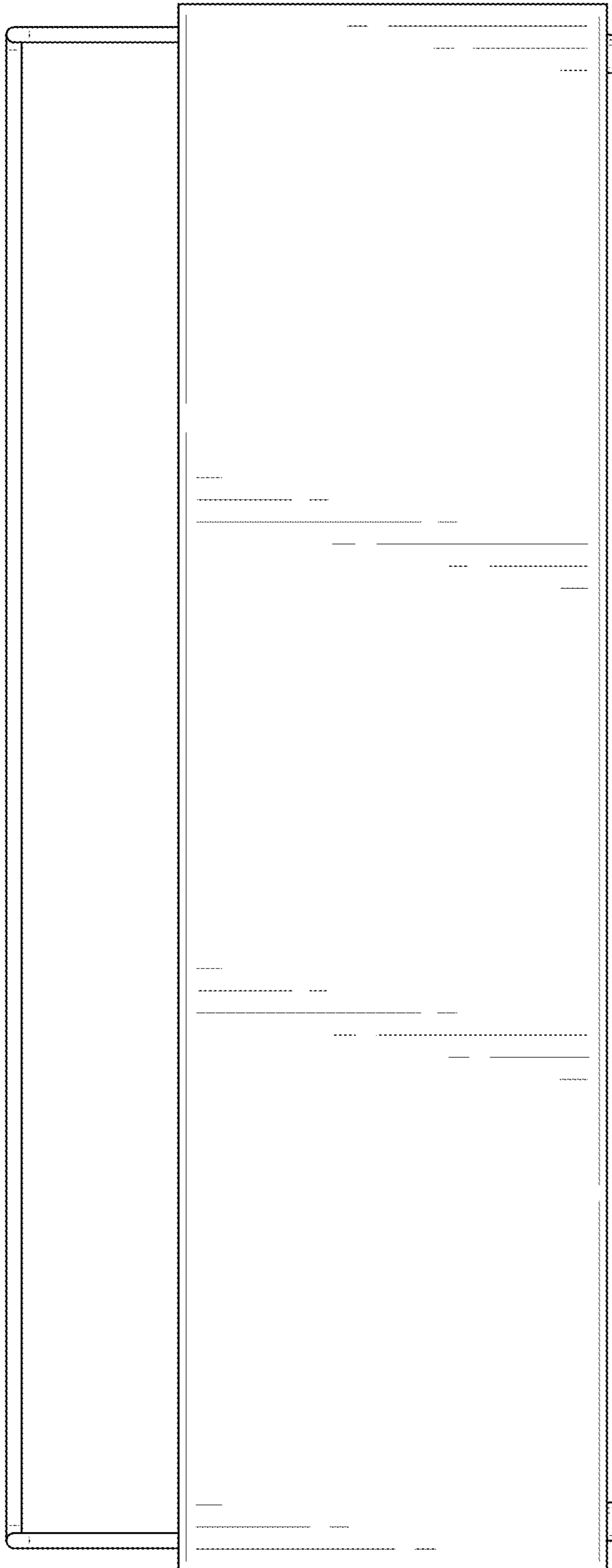


FIG. 4

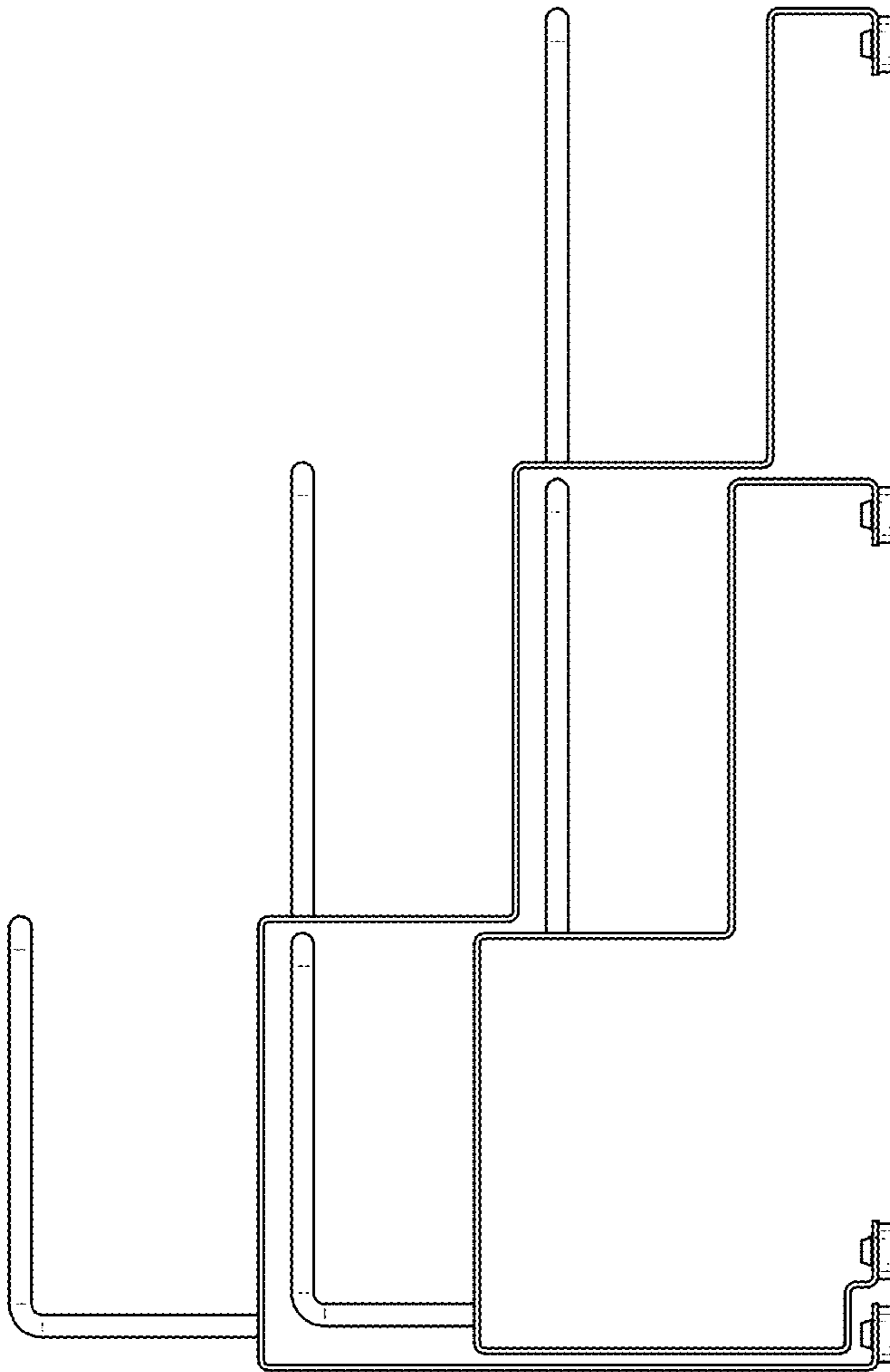


FIG. 5

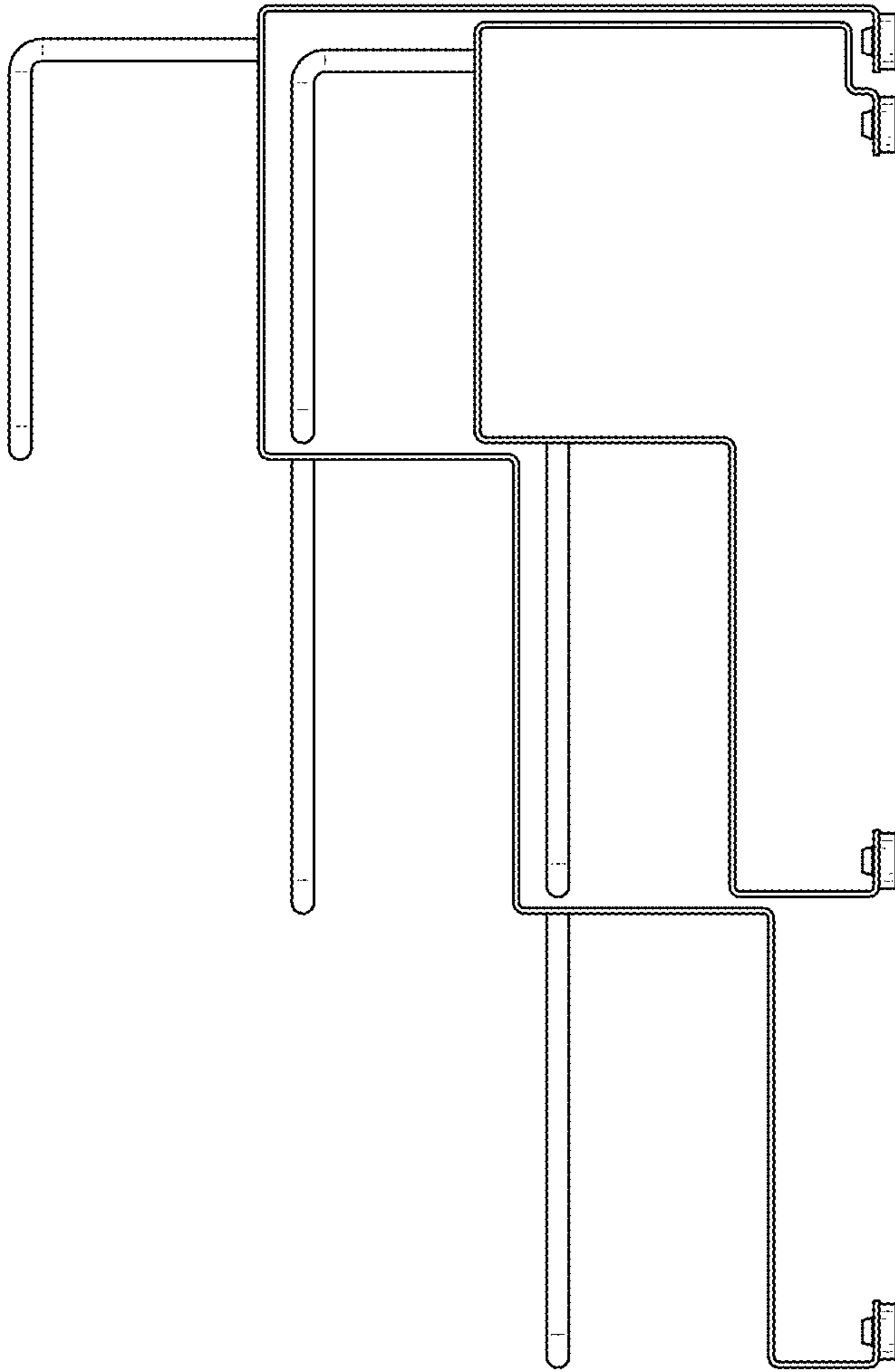


FIG. 6

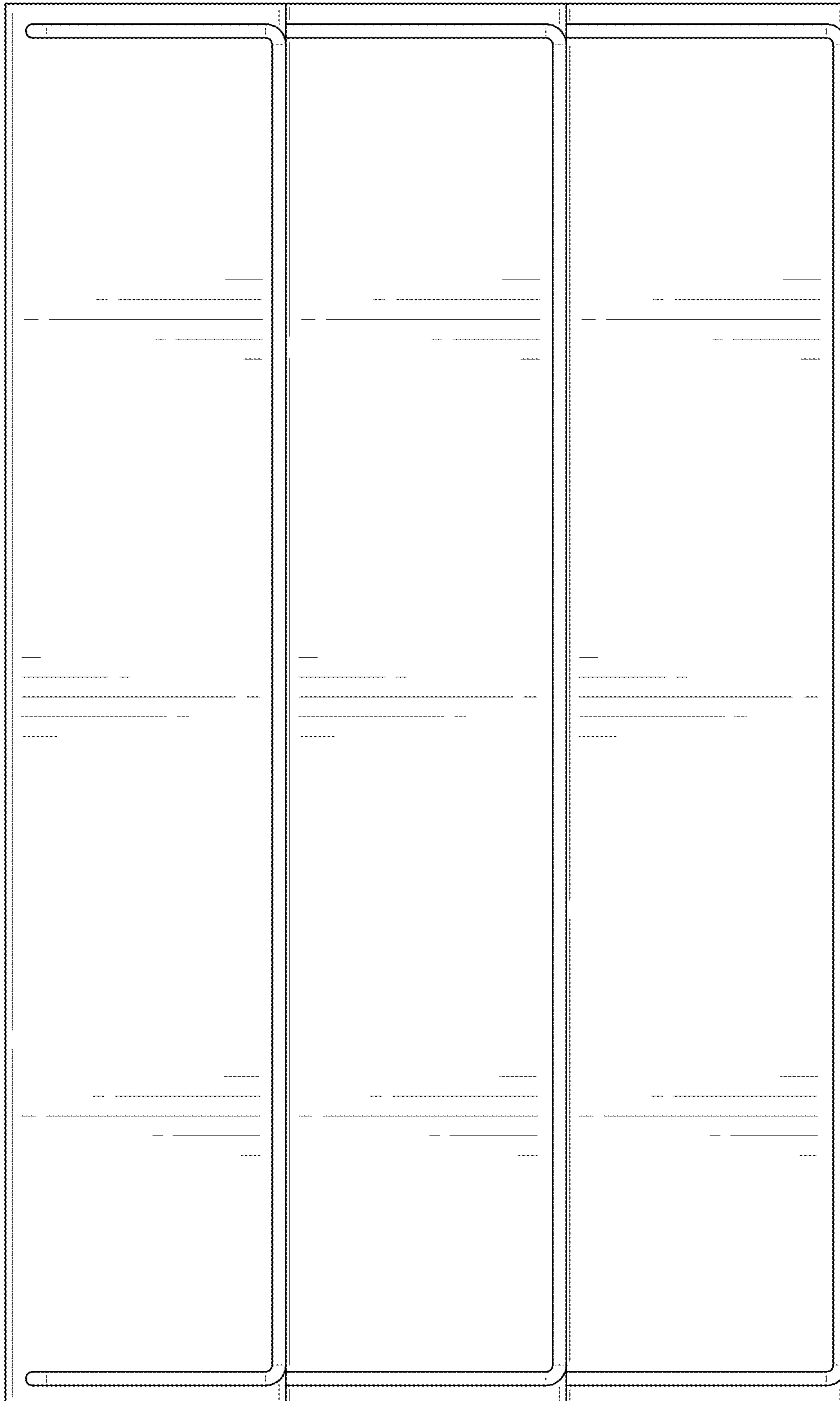


FIG. 7



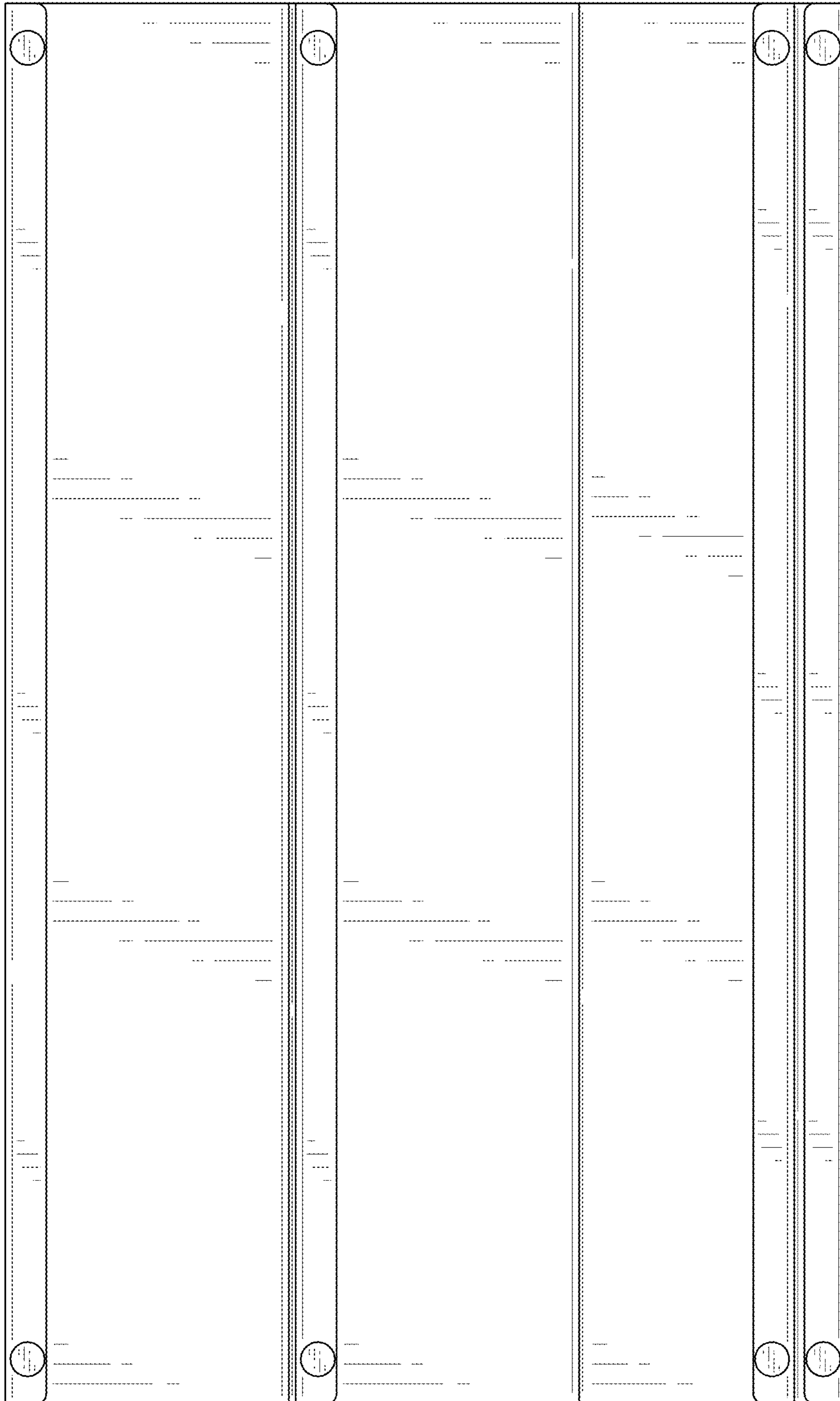


FIG. 8

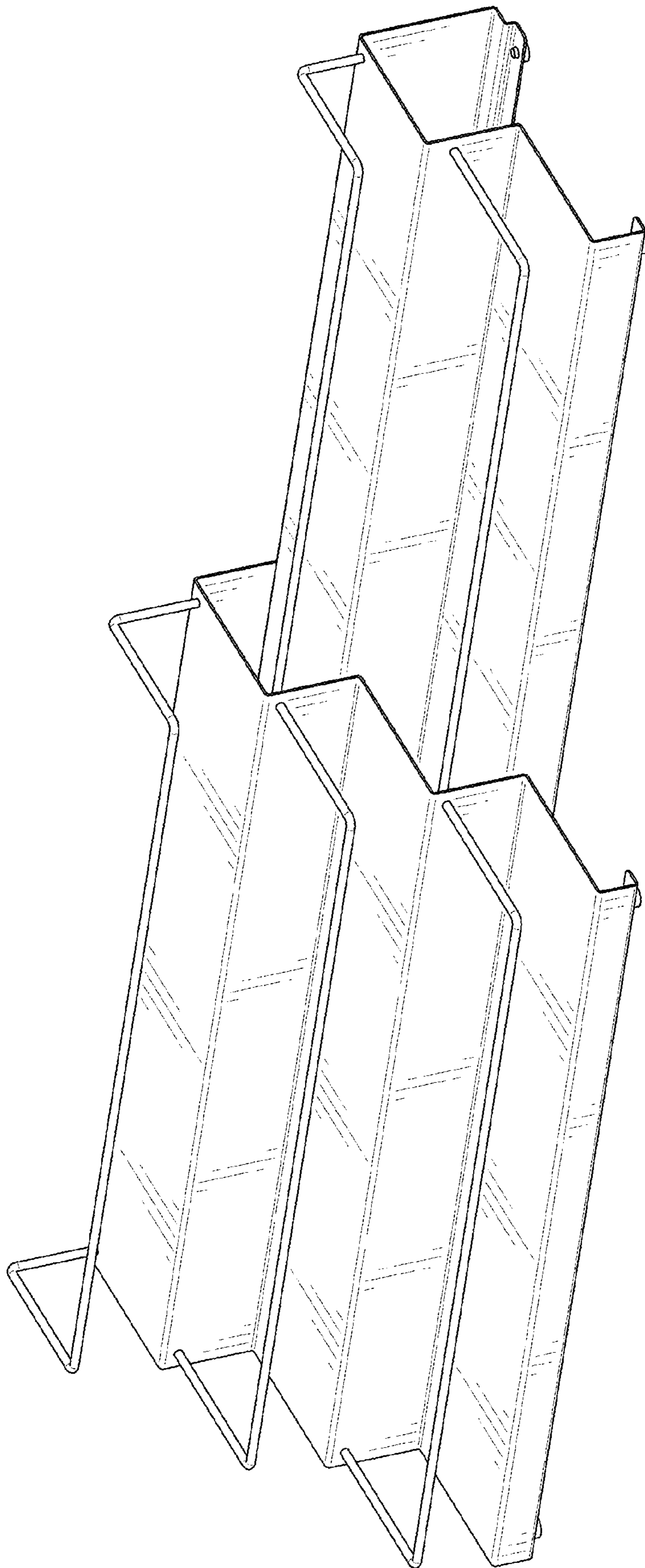


FIG. 9