



US00D911781S

(12) **United States Design Patent**  
**Song**

(10) **Patent No.:** **US D911,781 S**  
(45) **Date of Patent:** **\*\* Mar. 2, 2021**

- (54) **SHAKER STORAGE BASE**
- (71) Applicant: **Xiaolian Song**, Shenzhen (CN)
- (72) Inventor: **Xiaolian Song**, Shenzhen (CN)
- (73) Assignee: **Shenzhen Aotuer Technology Co., Ltd.**, Shenzhen (CN)
- (\*\*) Term: **15 Years**
- (21) Appl. No.: **29/701,521**
- (22) Filed: **Aug. 12, 2019**
- (51) **LOC (13) Cl.** ..... **07-99**
- (52) **U.S. Cl.**  
USPC ..... **D7/600.2**
- (58) **Field of Classification Search**  
USPC ..... D7/590, 600.1, 600.2, 600.4, 550.1,  
D7/554.2; D6/672, 677; D28/73-76;  
D24/227; D19/101, 102  
CPC ..... A47B 79/00; A47B 81/02; A47J 47/16;  
A47K 1/08; A47K 1/09; A47G 19/06;  
A47G 23/06; A47G 29/08  
See application file for complete search history.

D334,510 S *	4/1993	Ancona	.....	D7/590
D413,491 S *	9/1999	McCauley	.....	D7/600.2
D576,838 S *	9/2008	Wong	.....	D7/501
D679,056 S *	3/2013	Mazza	.....	D28/73
8,544,390 B1 *	10/2013	Bahnsen	.....	A47G 23/08
				108/94
8,915,391 B2 *	12/2014	Radow	.....	A47G 19/00
				220/23.83
D880,964 S *	4/2020	Wang	.....	D7/701
2009/0057249 A1 *	3/2009	Donnellan	.....	A47B 49/00
				211/77

\* cited by examiner

*Primary Examiner* — Susan E Krakower  
*Assistant Examiner* — Andrew Kerr

(57) **CLAIM**

The ornamental design for a shaker storage base, as shown and described.

**DESCRIPTION**

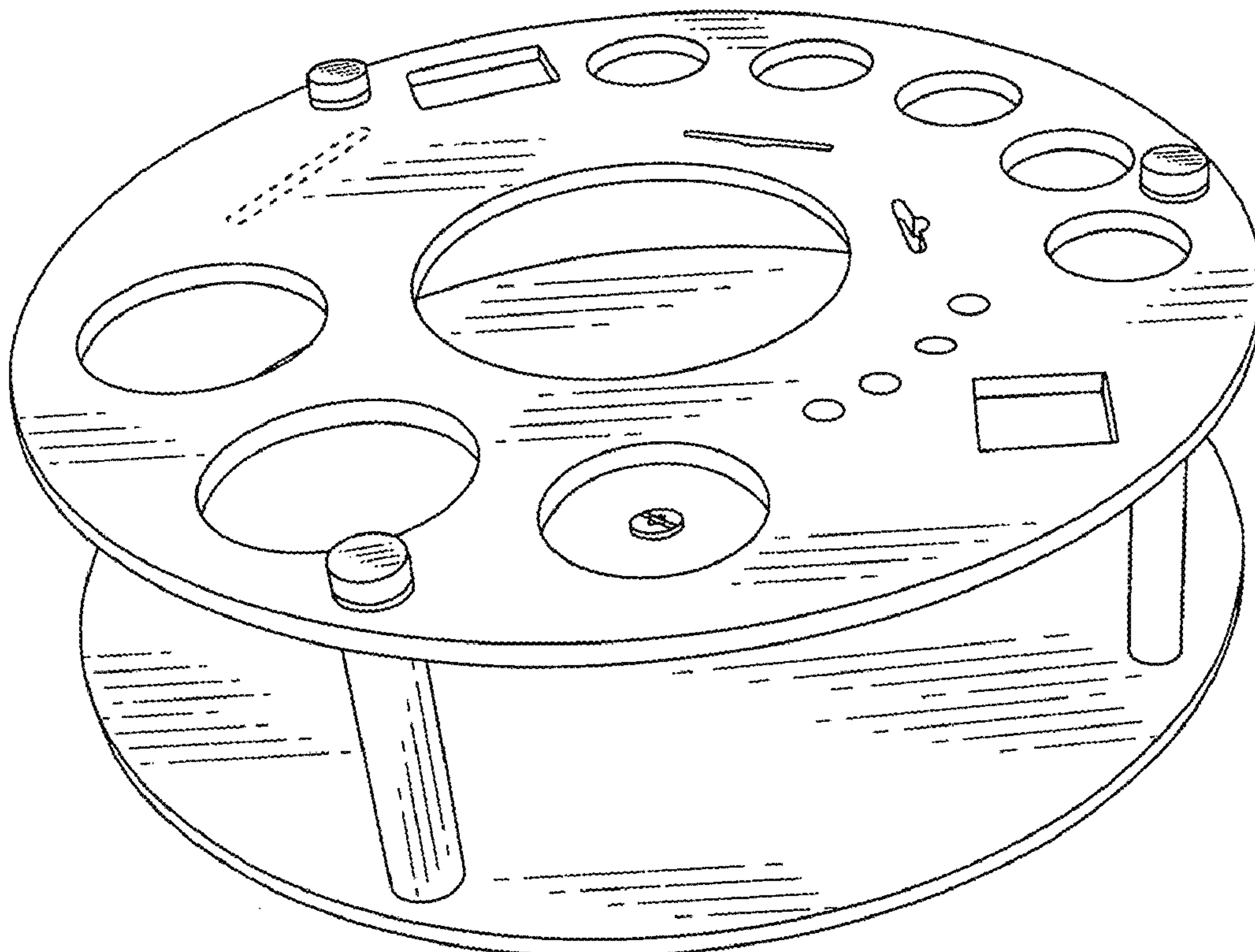
FIG. 1 is a top perspective view of a shaker storage base showing my new design;  
 FIG. 2 is a bottom perspective view thereof;  
 FIG. 3 is a front elevation view thereof;  
 FIG. 4 is a rear elevation view thereof;  
 FIG. 5 is a left side elevation view thereof;  
 FIG. 6 is a right side elevation view thereof;  
 FIG. 7 is a top plan view thereof; and,  
 FIG. 8 is a bottom plan view thereof.  
 The broken lines depict portions of the shaker storage base and form no part of the claimed design.

**1 Claim, 8 Drawing Sheets**

(56) **References Cited**

**U.S. PATENT DOCUMENTS**

D271,655 S *	12/1983	Numbers	.....	D7/707
4,775,055 A *	10/1988	Morse	.....	A47F 5/02
				211/77
D323,446 S *	1/1992	Morse	.....	D6/680.1



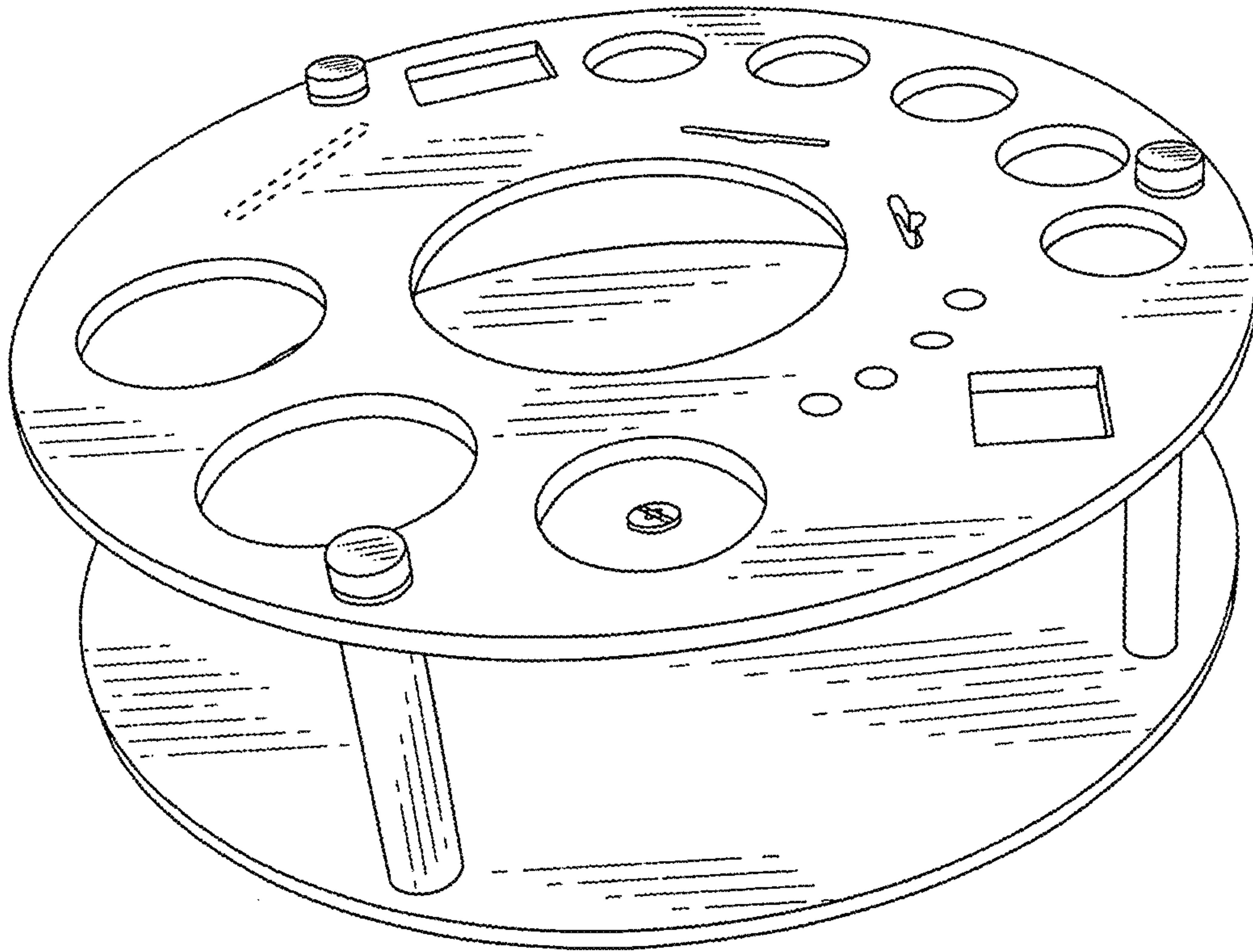


FIG.1

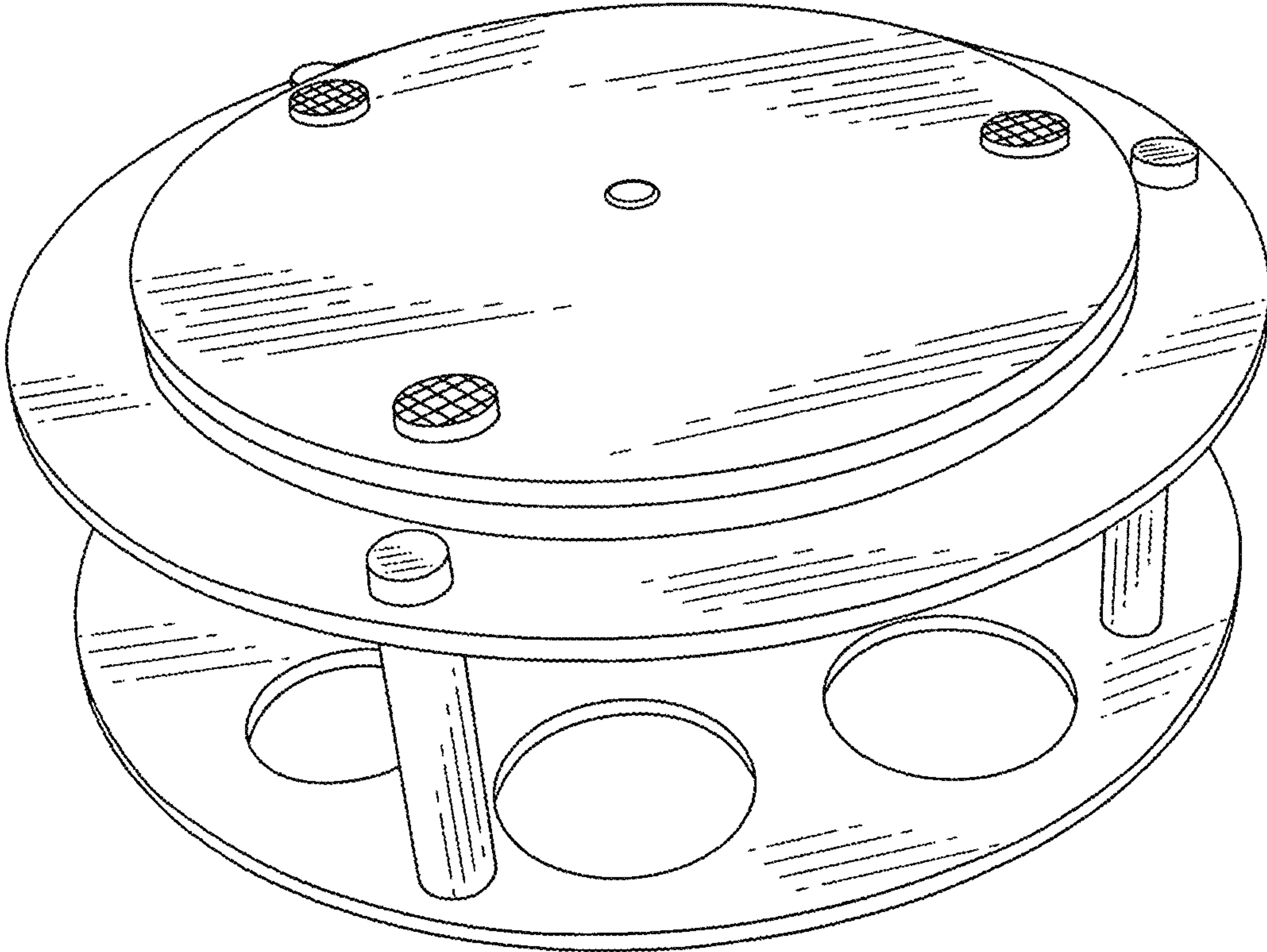


FIG.2

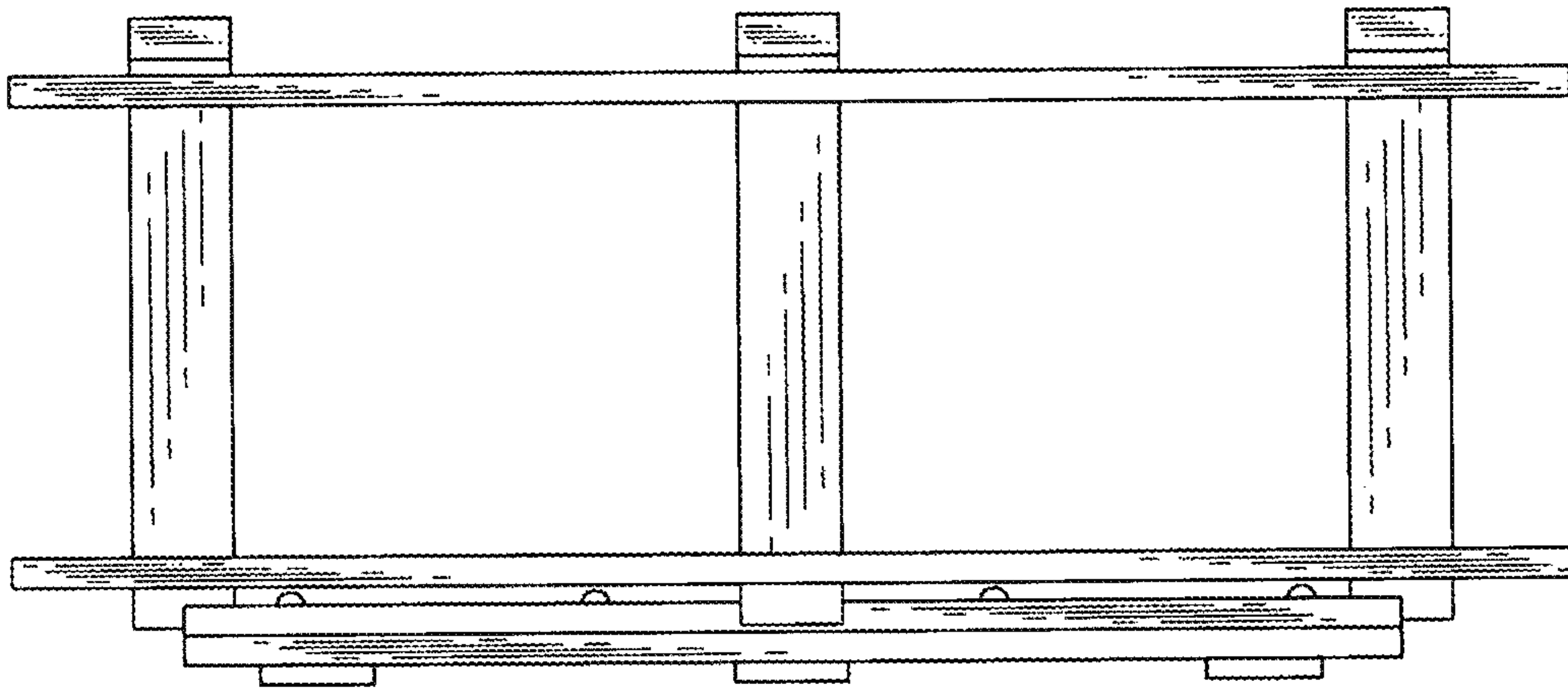


FIG.3



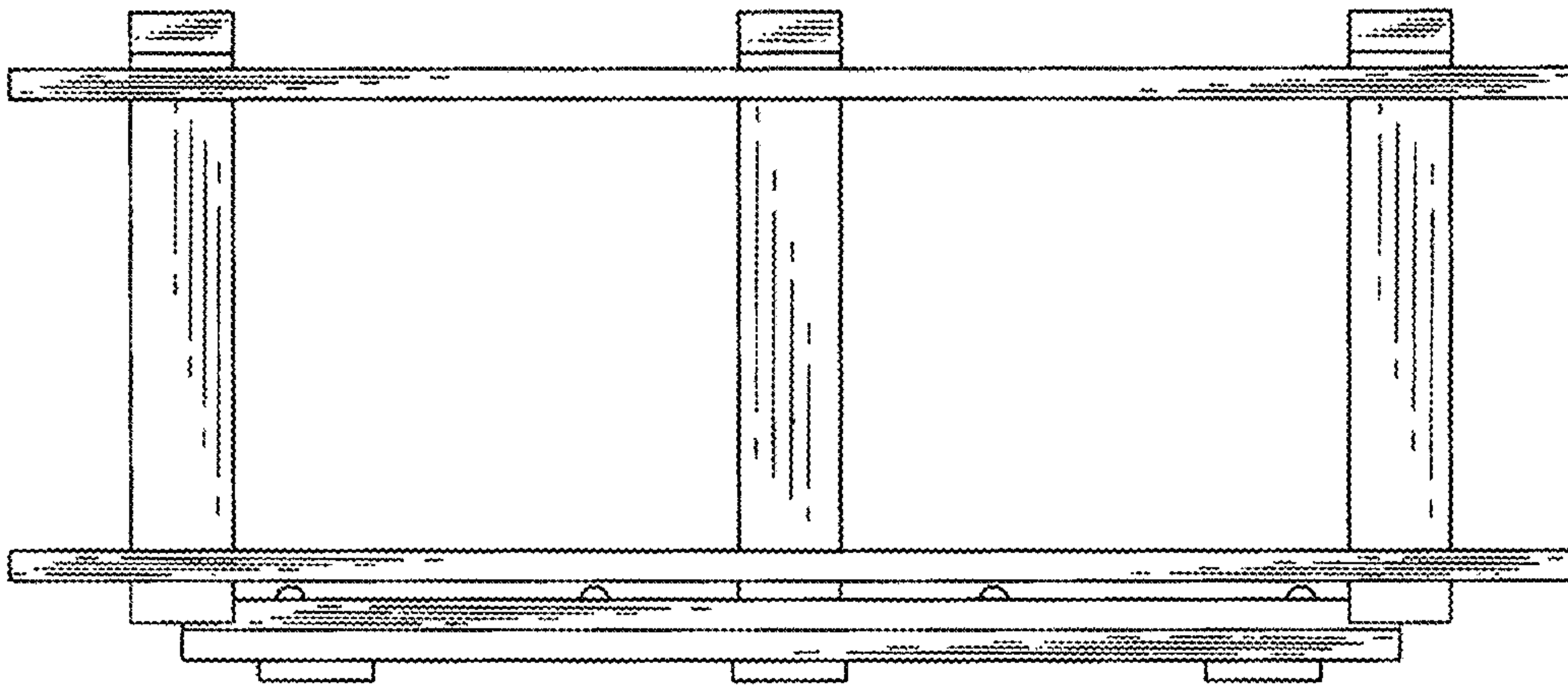


FIG.4

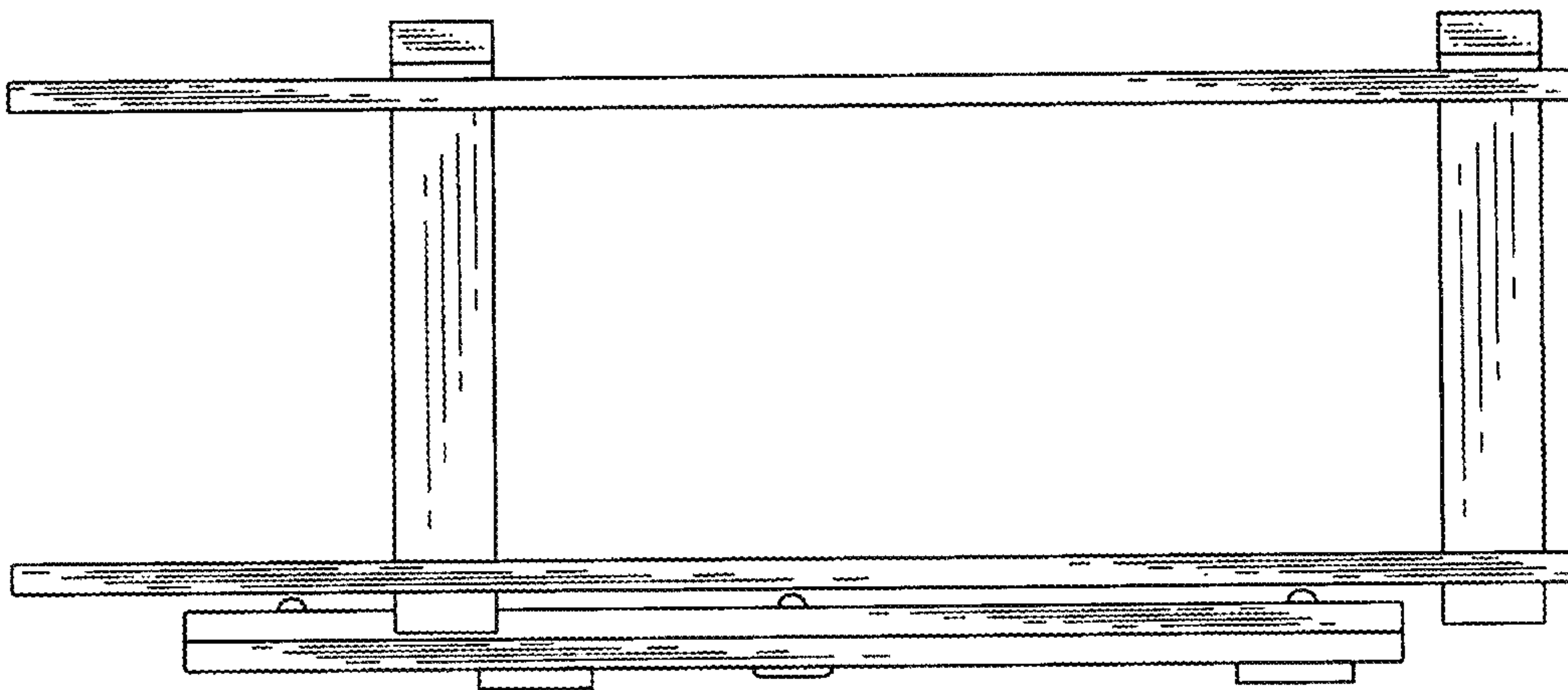


FIG.5

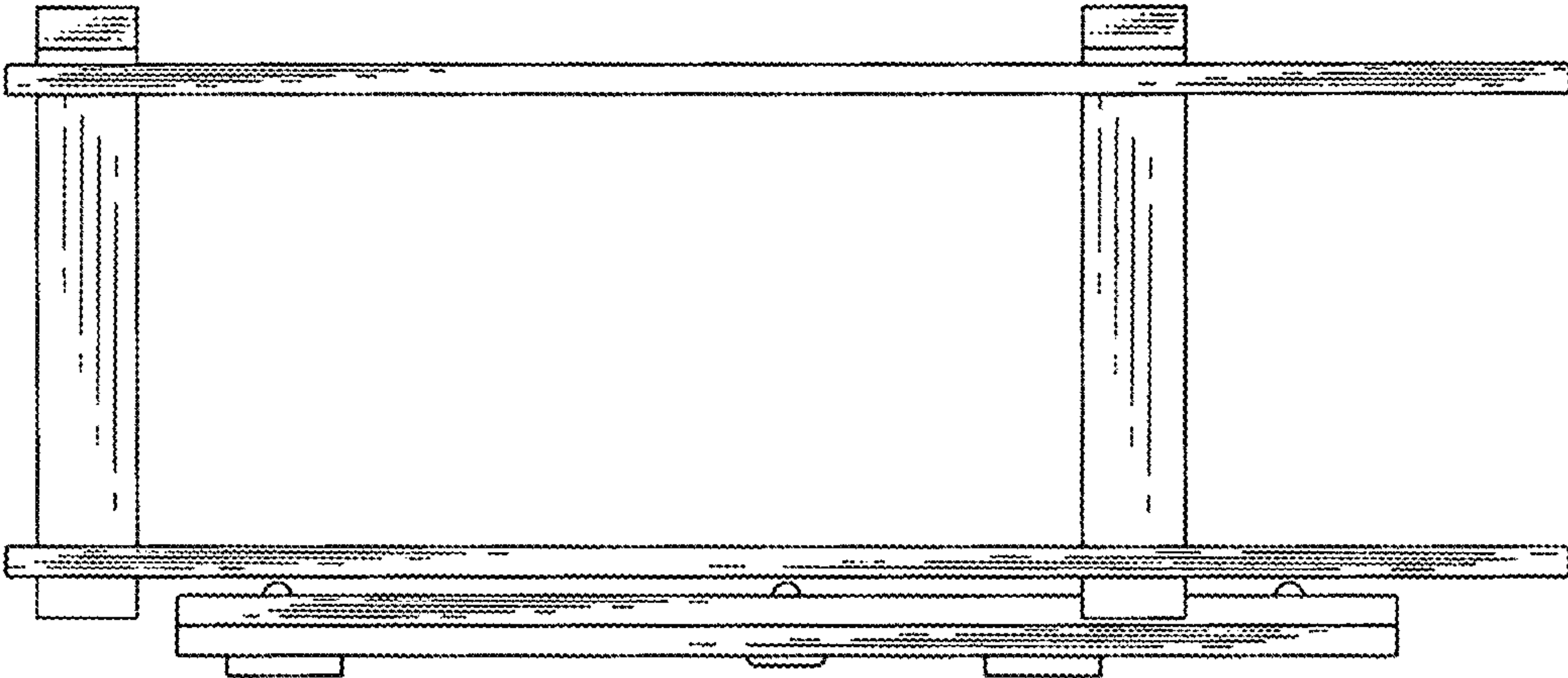


FIG.6

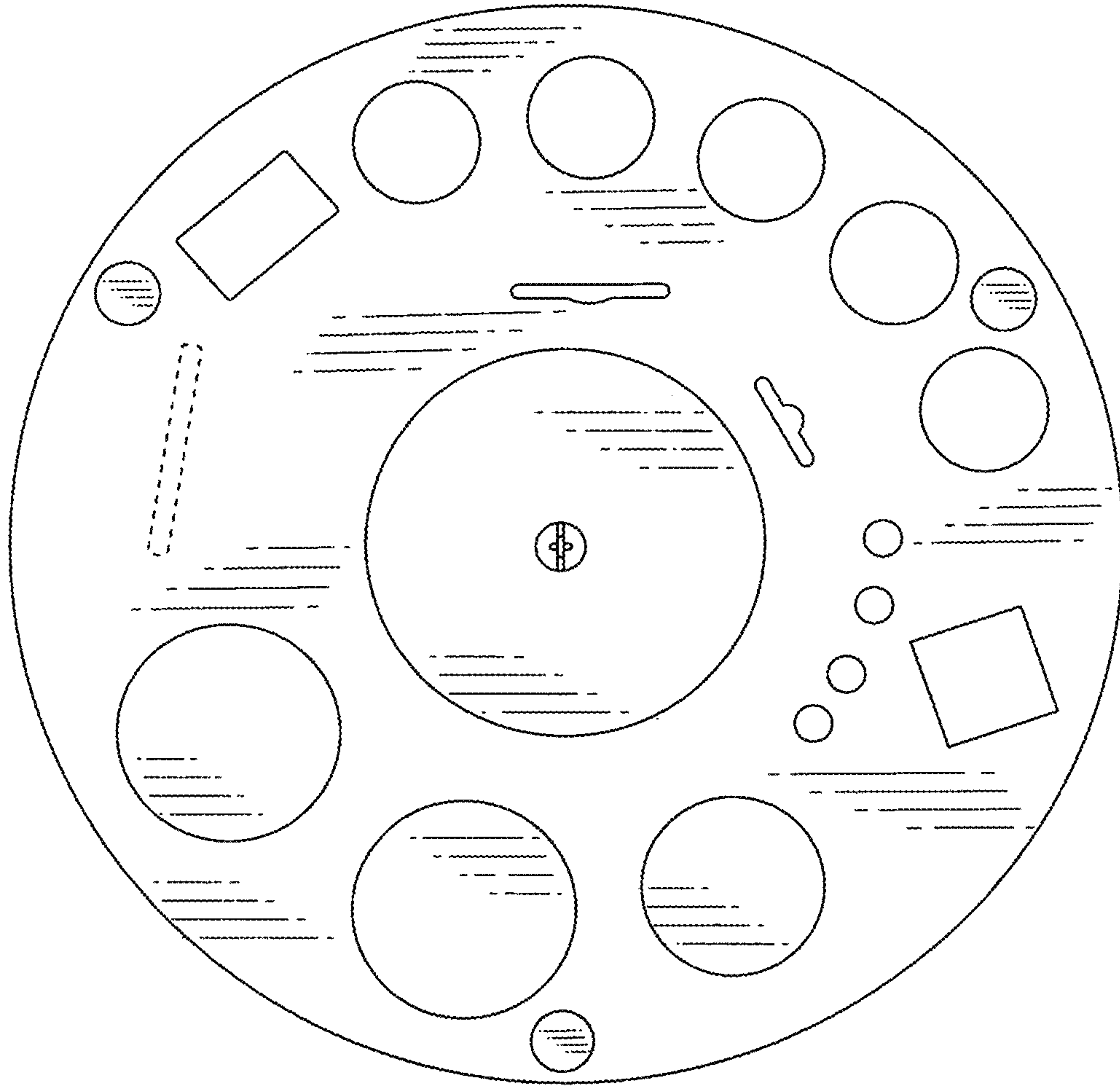


FIG. 7



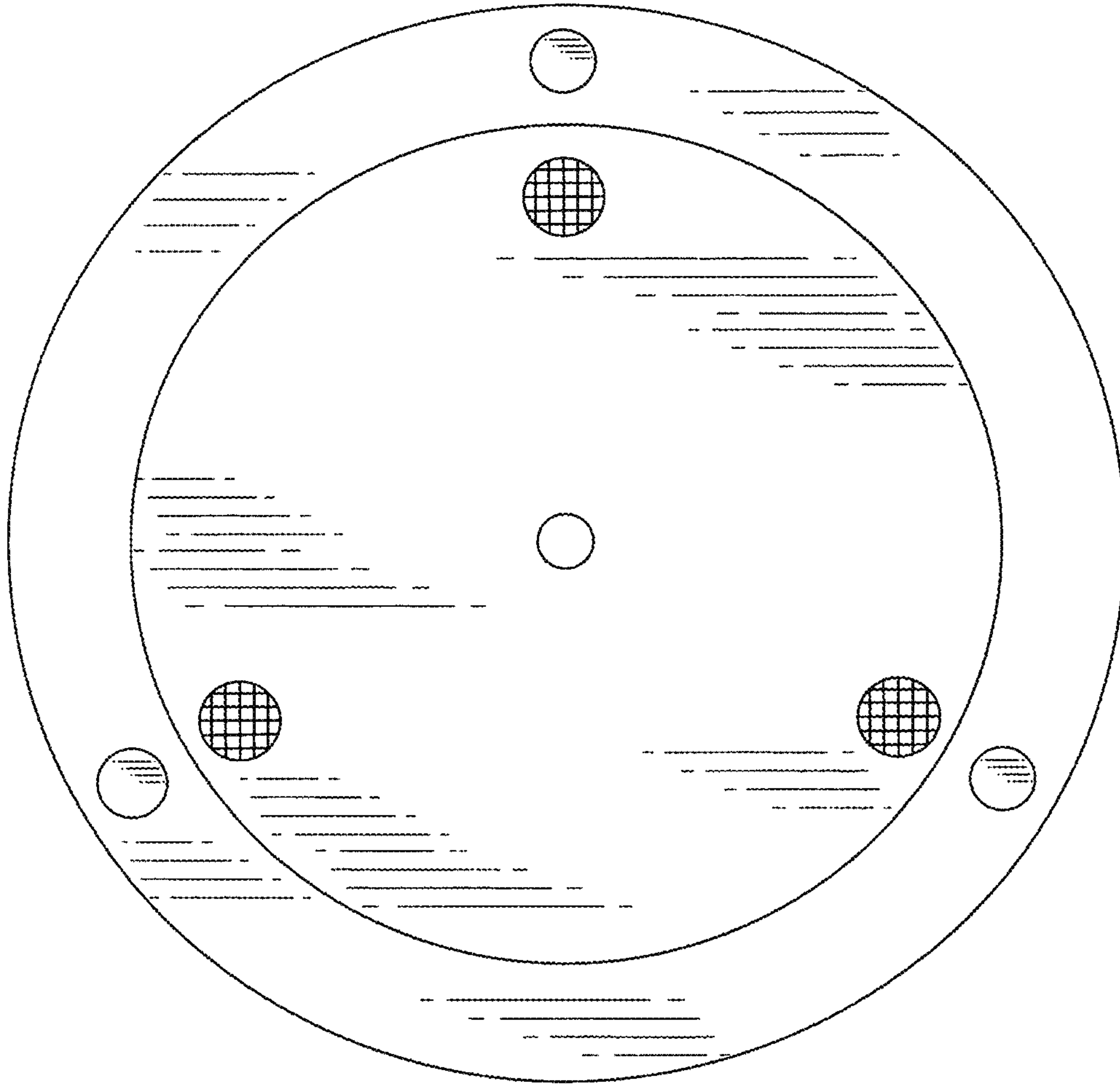


FIG. 8