



US00D911780S

(12) **United States Design Patent**
Ellison et al.

(10) **Patent No.:** **US D911,780 S**
(45) **Date of Patent:** **** Mar. 2, 2021**

- (54) **BOWL**
- (71) Applicant: **YETI Coolers, LLC**, Austin, TX (US)
- (72) Inventors: **Kyle Ellison**, Austin, TX (US); **Dustin Bullock**, Austin, TX (US); **Colin Darling**, Austin, TX (US)
- (73) Assignee: **YETI Coolers, LLC**, Austin, TX (US)
- (**) Term: **15 Years**
- (21) Appl. No.: **29/716,327**
- (22) Filed: **Dec. 9, 2019**

- D243,912 S * 4/1977 Daenen D7/584
 - D250,929 S * 1/1979 Gerstman D7/565
 - D251,650 S * 4/1979 Heller D7/354
 - 4,471,880 A 9/1984 Taylor et al.
 - D286,726 S * 11/1986 Daenen D7/587
- (Continued)

FOREIGN PATENT DOCUMENTS

- CA 81297 A 6/1903
 - CA 87811 S 10/1999
- (Continued)

OTHER PUBLICATIONS

- Dec. 2, 2019—(PCT) Written Opinion and IPR—App PCT/US2019/053252.
- (Continued)

Related U.S. Application Data

- (63) Continuation of application No. 29/658,677, filed on Aug. 1, 2018, now Pat. No. Des. 869,241.
- (51) **LOC (13) Cl.** **07-01**
- (52) **U.S. Cl.**
USPC **D7/587**
- (58) **Field of Classification Search**
USPC D7/500, 587, 565, 560, 543; D30/130
CPC A47G 19/025; A47G 19/02
See application file for complete search history.

Primary Examiner — Cynthia R Underwood
(74) *Attorney, Agent, or Firm* — Banner & Witcoff, Ltd.

CLAIM

(57) The ornamental design for a bowl, as shown and described.

DESCRIPTION

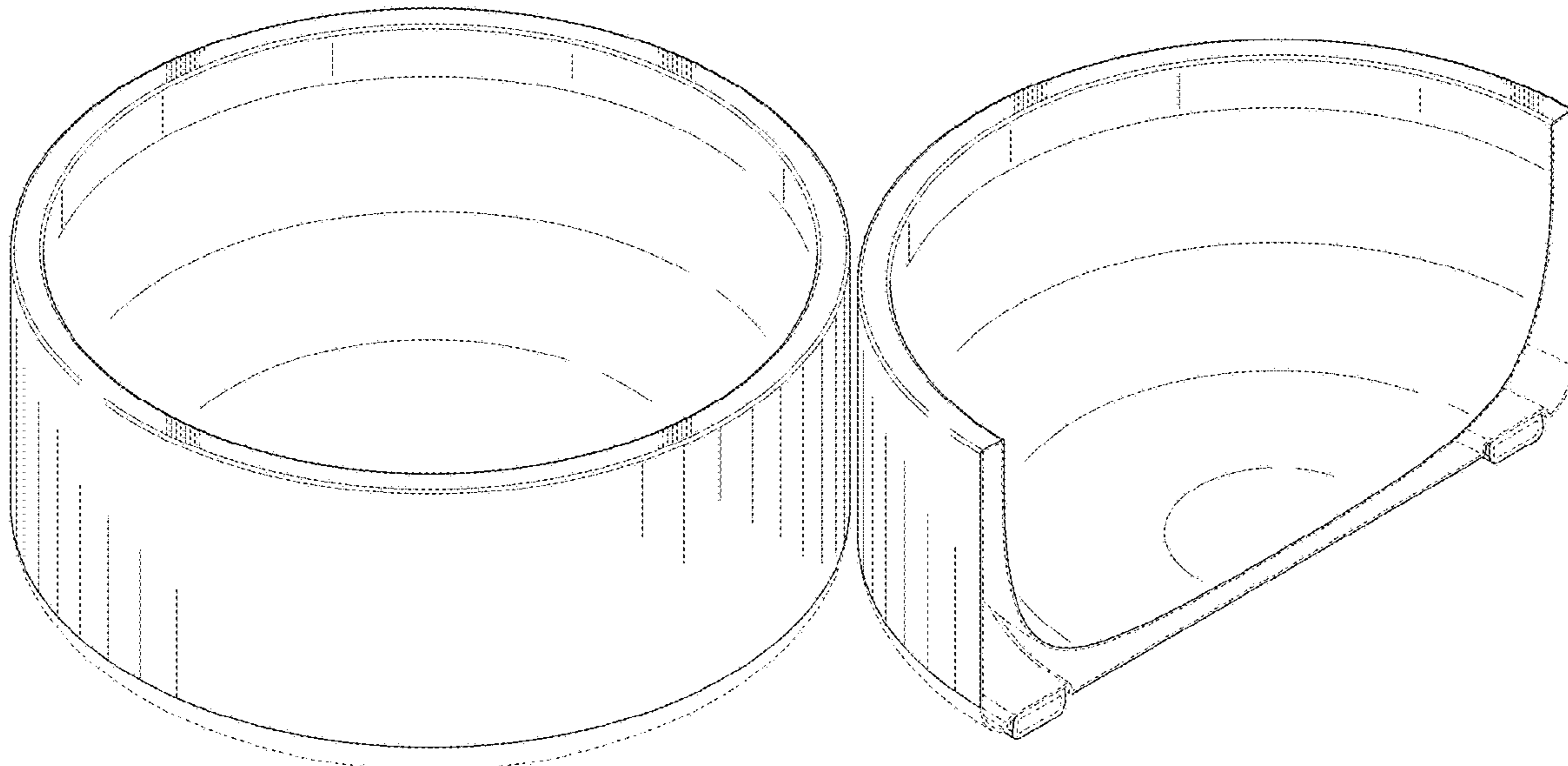
FIG. 1 is a top, front, right perspective view of a bowl showing our new design;
 FIG. 2 is a front view thereof, wherein the rear view is a mirror image of FIG. 2;
 FIG. 3 is a right side view thereof, wherein the left side view is a mirror image of FIG. 3;
 FIG. 4 is a top view thereof;
 FIG. 5 is a bottom view thereof; and,
 FIG. 6 is a cross-sectional view at 6-6 in FIG. 4 thereof.
 The broken lines depict features of the bowl that form no part of the claimed design. The contrast in shading represents a contrast in appearance only and does not represent any particular color, material, texture or finish.

1 Claim, 6 Drawing Sheets

(56) **References Cited**

U.S. PATENT DOCUMENTS

- 948,434 A 2/1910 Scott
- D54,110 S 11/1919 McHale et al.
- D55,222 S 5/1920 Wentz
- 1,567,234 A * 12/1925 Brucker A21B 3/13
249/136
- D119,166 S * 2/1940 Guild D7/565
- 2,492,892 A 12/1949 Schlumbohm
- 2,545,733 A 3/1951 Hatfield
- D175,753 S * 10/1955 Barnhart D7/540
- 2,816,589 A 12/1957 Tupper
- 3,307,602 A 3/1967 Boster
- 3,391,847 A 7/1968 Pierce et al.



(56)

References Cited

U.S. PATENT DOCUMENTS

4,809,868 A 3/1989 Pomroy
D304,275 S 10/1989 Kiefer
5,105,768 A 4/1992 Johnson
5,161,711 A 11/1992 Picozza et al.
5,209,184 A 5/1993 Sharkan et al.
5,258,191 A * 11/1993 Hayes B65D 41/3428
426/107
D344,210 S 2/1994 Cousins et al.
5,409,126 A 4/1995 DeMars
D376,960 S 12/1996 Ferris
D382,766 S * 8/1997 Hamada D7/354
5,709,316 A 1/1998 Jolly et al.
D391,118 S 2/1998 J.o slashed.rgensen
D394,189 S * 5/1998 Reynaert D7/523
5,752,464 A 5/1998 King et al.
D412,226 S 7/1999 Bellehumeur
D426,427 S 6/2000 Rubbright et al.
D428,771 S 8/2000 Novi
D442,831 S * 5/2001 Jacobs D7/584
D461,101 S * 8/2002 Garbo D7/545
D476,852 S 7/2003 Willis
D476,861 S 7/2003 Lettle et al.
D479,806 S 9/2003 Nilsson
D483,229 S 12/2003 Maier-Aichen
D485,126 S 1/2004 Watson
D485,127 S 1/2004 Maier-Aichen
D498,389 S 11/2004 Tollman
6,923,017 B2 8/2005 Dais et al.
D511,074 S * 11/2005 Claypool D7/602
7,040,249 B1 5/2006 Mushen
7,063,231 B2 6/2006 Stanos et al.
D543,787 S 6/2007 Wasserman et al.
D545,627 S 7/2007 Chatterton et al.
D547,125 S 7/2007 Wasserman et al.
D549,040 S * 8/2007 Henry D7/354
D549,050 S 8/2007 Spencer et al.
D553,913 S * 10/2007 Jackson D7/587
D563,607 S 3/2008 Northrop
D564,710 S 3/2008 Modi et al.
D564,711 S 3/2008 Modi et al.
D565,253 S 3/2008 Modi et al.
7,380,412 B2 6/2008 Roth et al.
7,387,082 B1 6/2008 Fried
7,392,761 B2 7/2008 Kujawa et al.
D575,992 S * 9/2008 LeGreve D7/586
D584,110 S 1/2009 Hauser
7,478,588 B2 * 1/2009 Miller A47J 37/01
99/426
D598,238 S * 8/2009 Durdon D7/354
D601,309 S 9/2009 Babal
D602,651 S * 10/2009 Modi D30/129
7,600,486 B2 10/2009 Ellis
D607,329 S * 1/2010 Diss D7/587
D630,897 S * 1/2011 Jarvis D7/407
D636,946 S 4/2011 Able
7,922,027 B2 4/2011 Boyden et al.
D684,017 S 6/2013 Wong
D687,678 S 8/2013 Del Solar et al.
D689,334 S 9/2013 Krueger et al.
D690,166 S * 9/2013 Montgomery D7/586
D693,182 S 11/2013 Katterheinrich et al.
8,646,413 B2 2/2014 Padia
D701,088 S * 3/2014 Hone D7/505
D709,317 S * 7/2014 Cheng D7/354
8,919,590 B2 12/2014 Gillette et al.
D722,252 S 2/2015 Lee et al.
D729,989 S 5/2015 Krueger
D738,159 S * 9/2015 Cheng D7/354
D743,636 S 11/2015 Krueger
D749,371 S 2/2016 Kolano
D752,378 S 3/2016 Wang
D760,951 S * 7/2016 Bennett D27/136
D761,061 S 7/2016 McConnell et al.
9,402,371 B2 8/2016 Rabideau
D787,274 S * 5/2017 Gagnon et al. D7/586

D789,152 S * 6/2017 Wall D7/538
D792,166 S * 7/2017 Kirsh D7/601
D793,170 S 8/2017 Karussi et al.
D794,393 S 8/2017 Karussi et al.
D794,394 S 8/2017 Karussi
9,832,971 B1 12/2017 Hollander et al.
D807,121 S * 1/2018 Mittal D7/587
9,883,759 B2 2/2018 Kelaher et al.
D813,607 S 3/2018 Nally et al.
D816,285 S 4/2018 Seiders et al.
D821,039 S 6/2018 Owens, III
D823,643 S * 7/2018 Paul D7/584
D824,720 S 8/2018 Gagnon et al.
D825,865 S 8/2018 Abbey et al.
D827,382 S 9/2018 Uzunlar
D828,726 S * 9/2018 Epley D7/602
D830,007 S 10/2018 Harris
D832,529 S 10/2018 Elliott
D842,047 S 3/2019 Jordan
D845,715 S * 4/2019 Brownell D7/545
D862,988 S * 10/2019 Wiggins D7/587
D866,266 S * 11/2019 Arseneau D7/586
D867,163 S * 11/2019 Portal-Andreu D9/738
D867,822 S * 11/2019 Passot D7/587
D869,240 S * 12/2019 Modi D7/584
D869,241 S 12/2019 Ellison et al.
D876,876 S * 3/2020 Wang D7/359
D881,653 S * 4/2020 Serrahima D7/602
D884,289 S * 5/2020 Wu D30/129
D889,900 S * 7/2020 Cheng D7/354
D889,901 S * 7/2020 Cheng D7/354
D891,924 S * 8/2020 Mitchell D9/454
2002/0112614 A1 * 8/2002 Zoss A21D 10/025
99/426
2006/0144340 A1 7/2006 Burge et al.
2007/0034161 A1 2/2007 Thompson
2008/0022937 A1 1/2008 Shirley et al.
2008/0302307 A1 12/2008 Bertsch et al.
2008/0308044 A1 12/2008 Tiemann
2009/0026205 A1 1/2009 Moon
2010/0018970 A1 1/2010 Jain
2010/0263328 A1 10/2010 Dorsey et al.
2011/0162583 A1 * 7/2011 Rostamo A01K 5/0128
119/61.5
2011/0180543 A1 7/2011 Rusnak et al.
2014/0326189 A1 * 11/2014 Jain A01K 5/0114
119/61.5
2016/0262345 A1 9/2016 Gitter et al.
2016/0376065 A1 12/2016 Zimmerman
2017/0367536 A1 12/2017 Wall
2018/0134465 A1 5/2018 Kuo
2018/0222660 A1 8/2018 Krus
2018/0289186 A1 10/2018 Heiberger
2018/0295806 A1 10/2018 DeVona
2019/0014873 A1 1/2019 Shepherd
2019/0059321 A1 2/2019 Casale
2019/0315538 A1 10/2019 Cheng
2020/0085721 A1 3/2020 Nishida et al.

FOREIGN PATENT DOCUMENTS

CA 142678 S 5/2013
CN 1792735 A 6/2006
CN 301376984 11/2010
CN 301447169 1/2011
CN 201995435 U 10/2011
CN 302323891 2/2013
CN 302859335 6/2014
CN 303304588 7/2015
CN 303488464 12/2015
CN 303694772 6/2016
CN 303927758 11/2016
CN 303953741 11/2016
CN 303990818 12/2016
CN 304164337 6/2017
CN 304164337 S 6/2017
CN 304238791 8/2017
CN 304238791 S 8/2017
CN 304255933 8/2017

(56)

References Cited

FOREIGN PATENT DOCUMENTS

CN	304278237	S	9/2017
CN	304278238	S	9/2017
CN	304290801	S	9/2017
CN	304337562	S	10/2017
CN	304373499		11/2017
CN	304373499	S	11/2017
CN	304448019		1/2018
CN	304478215	S	1/2018
CN	304480651		1/2018
CN	304480651	S	1/2018
CN	304484602	S	1/2018
CN	304490101		2/2018
CN	304491988	S	2/2018
CN	304492055	S	2/2018
CN	304502948	S	2/2018
CN	304522649	S	3/2018
CN	304531652	S	3/2018
CN	304557251	S	3/2018
CN	107985786	A	5/2018
CN	304676166	S	6/2018
CN	304700992	S	6/2018
CN	304756094	S	8/2018
CN	304813552	S	9/2018
CN	304823168	S	9/2018
CN	304845734	S	10/2018
CN	304855772	S	10/2018
CN	304955770	S	12/2018
CN	304961123	S	12/2018
CN	304965966	S	12/2018
CN	303953741	S	1/2019
CN	304972012	S	1/2019
CN	208610686	U	3/2019
CN	305101859		4/2019
CN	110371482	A	10/2019
CN	305549362		1/2020
DE	20313085	U1	11/2003
EM	002547281-0001		10/2014
EM	005636578-0001	A1	6/2018
EM	005246188-0003	A1	9/2018
EP	001606385-0030		11/1919
EP	000146816-0002		6/2004
EP	000236880-0001		12/2004
EP	000467519-0002		2/2006
EP	000555289-0001		8/2006
EP	001606385-0031		11/2009
EP	2147593	A2	1/2010
EP	2720960	B1	9/2015
EP	003860097-0001		5/2017
EP	3046411	B1	4/2019
GB	2094194		8/2000

IN	265797-0001		5/2015
IN	201711037261		6/2019
IN	314224-004-0001		1/2020
JP	5132299	B2	1/2013
JP	D1622556		1/2019
KR	19980028254	U	8/1998
KR	200351500	Y1	5/2004
KR	20060116628	A	11/2006
KR	101180553	B1	9/2012
KR	300826611.0000		11/2015
WO	D060038-001		6/2002
WO	06070965	A1	7/2006
WO	12053734	A1	4/2012
WO	2017160848	A1	9/2017
WO	18211518	A1	11/2018
WO	2019120407	A1	6/2019

OTHER PUBLICATIONS

Dec. 2, 2019—(PCT) Written Opinion and ISR App. PCT/US2019/053252.
 Signature Housewares Bones Dog Bowl, Gray.
 Bogo Brands Collapsible Dog Bowl with Lid 2 Pk—Portable Travel Food and Water Pet Bowl by (3 Colors).
 1. Martha Stewart Melamine Stainless Steel Pet Bowl Set with Lid. Collapsible Dog Bowl with Lid 2 Pk—Portable Travel Food and Water Pet Bowl by bogo Brands (3 Colors).
 Best dog bowl for car travel: Eco Friendly dish fits in car cup holder! Listed for charity.
 The best portable dog food bowl.
 304 Stainless Steel Children Rice Bowl <https://www.dhgate.com/product/304-stainless-steel-children-rice-bowl-small/406803863> received in search results from searcher on Feb. 28, 2018.
 Non Slip Pet Bowl <https://www.bmstores.co.uk/products/pets/pet-bowls-and-mats> received in search results from searcher on Feb. 28, 2018.
 Personalized Dog Bowls <http://www.a?rmingbeliefs.com/personalized-dog-dishes/new-designs-for-our-personalized-dog-bowls-anchor-monogram-chevron-www-personalized-dog-bowls-canada-personalized-dog-bowls-with-stand-personalized-dog-bowls-uk/> received in search results from searcher on Feb. 28, 2018.
 Personalized name plum pink damask black glitter bowl https://www.zazzle.com/personalized_name_plum_pink_damask_black_glitter_bowl-215235337491185678 received in search results from searcher on Feb. 28, 2018.
 Basecamp Bowl <http://www.dealers.ruffwear.com/Basecamp-Bowl-Indoor-Dog-Bowl> received in search results from searcher on Feb. 28, 2018.

* cited by examiner

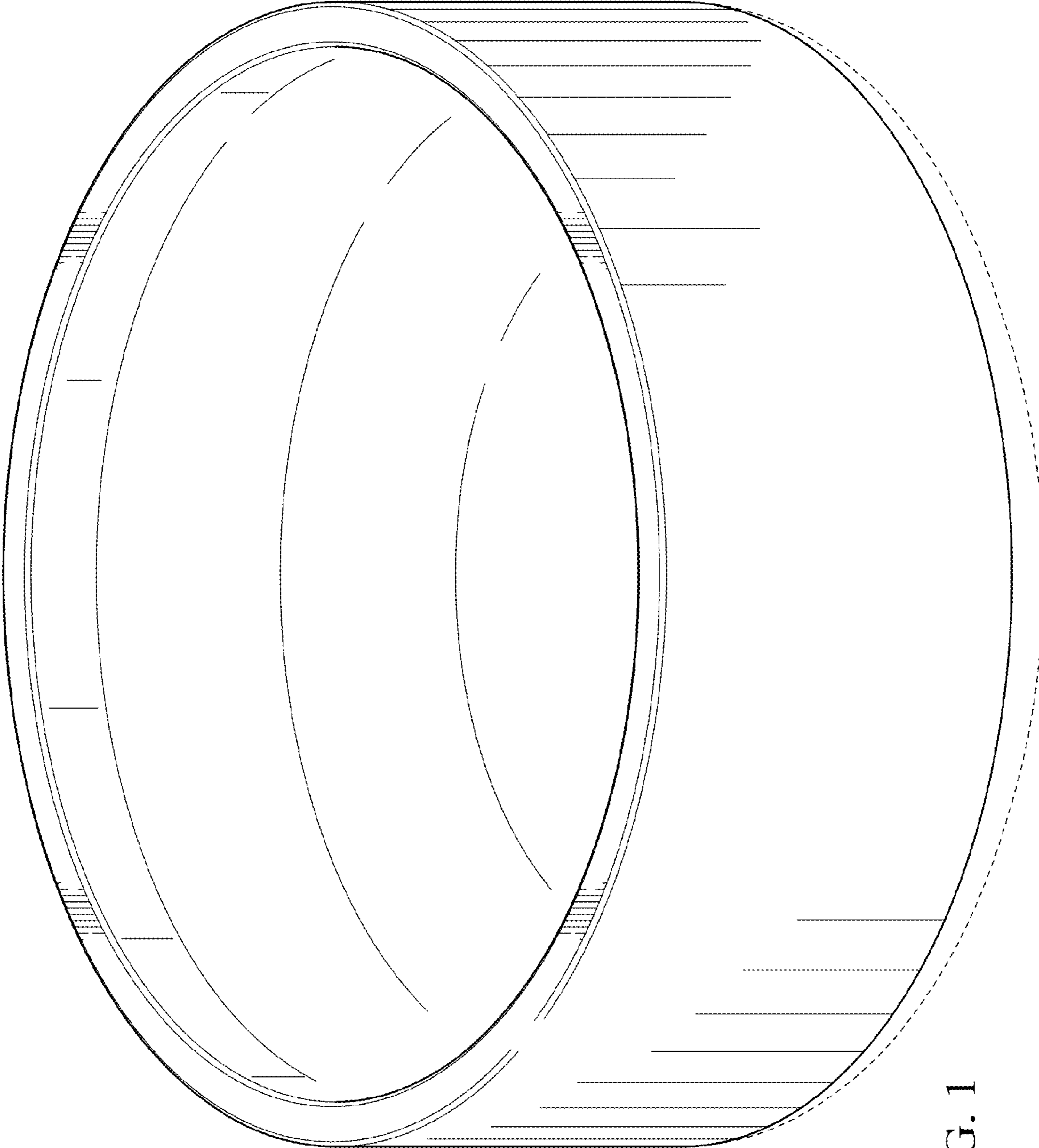


FIG. 1

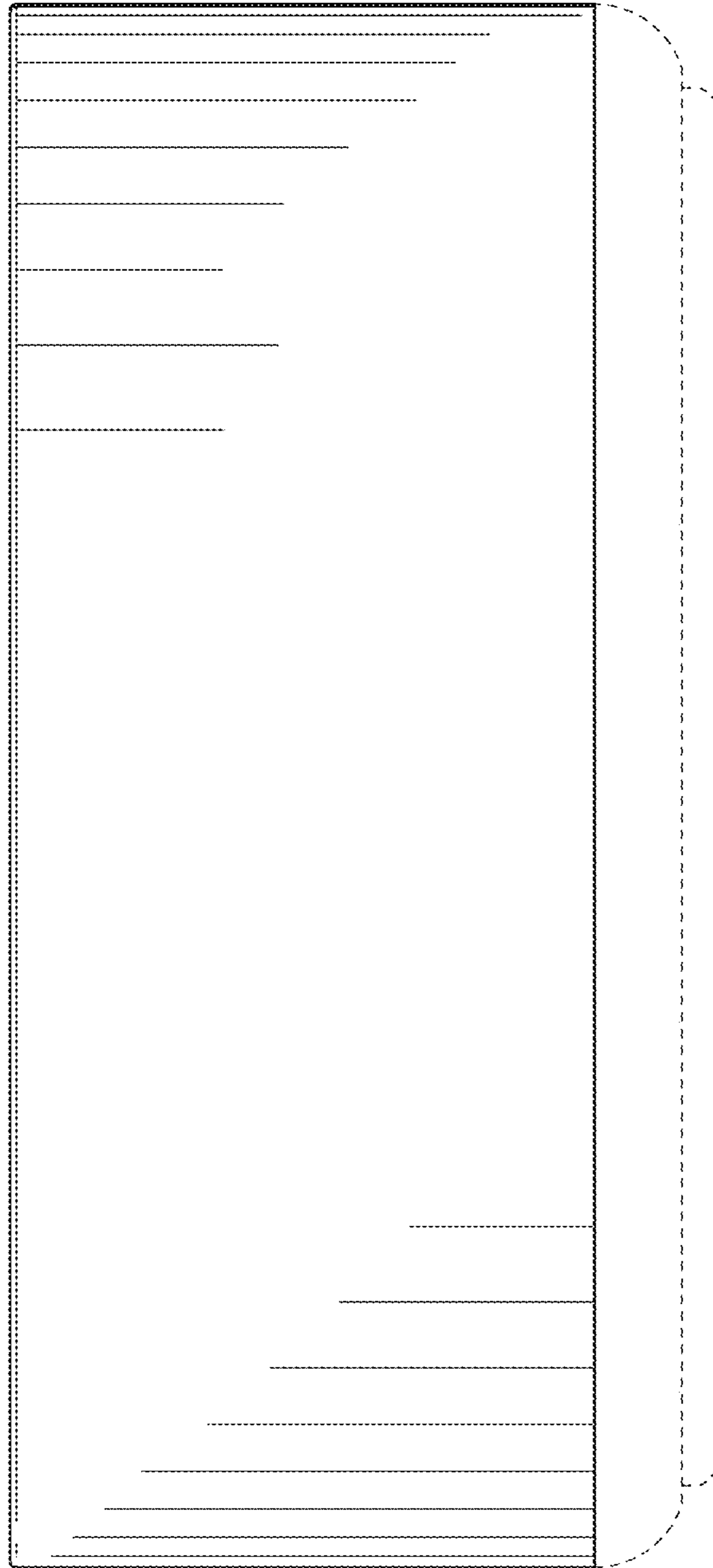


FIG. 2

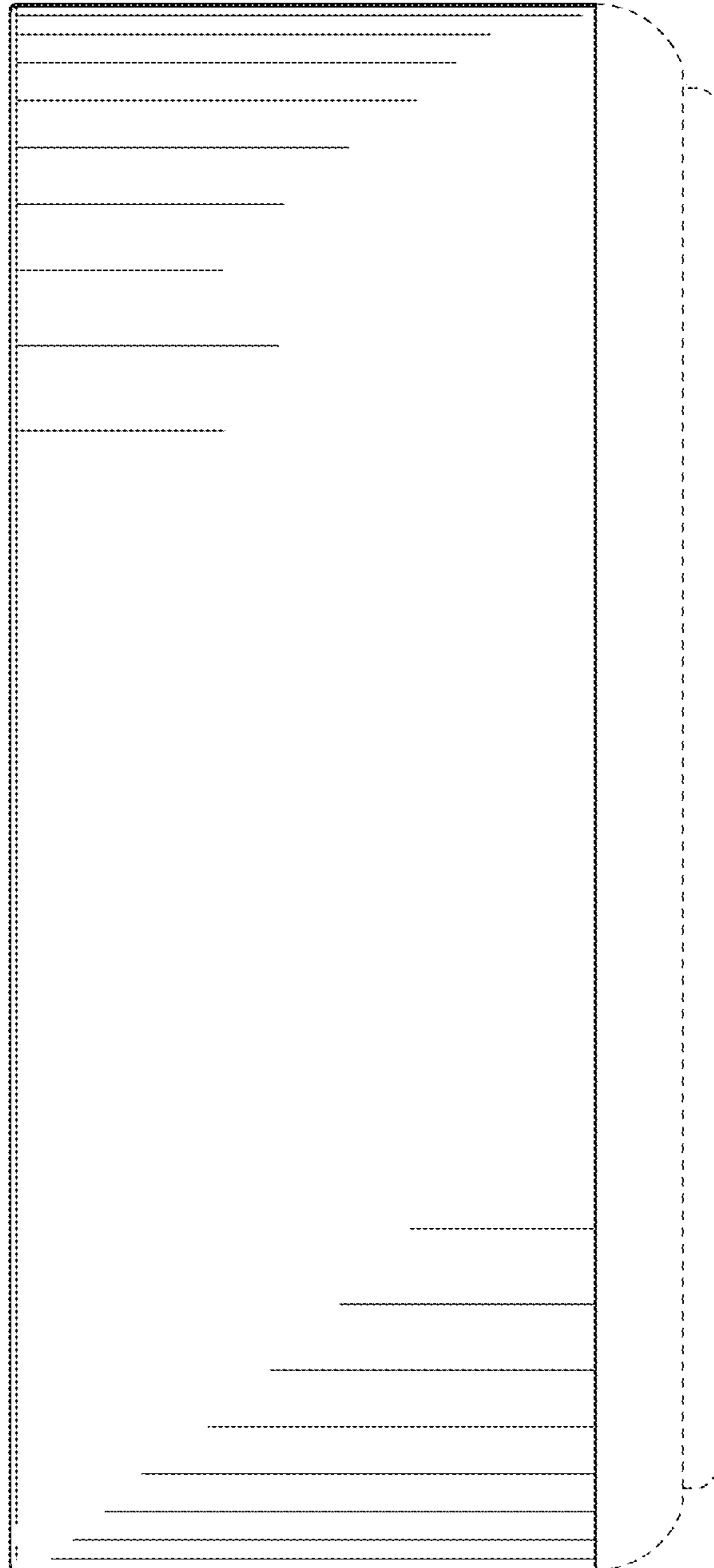


FIG. 3

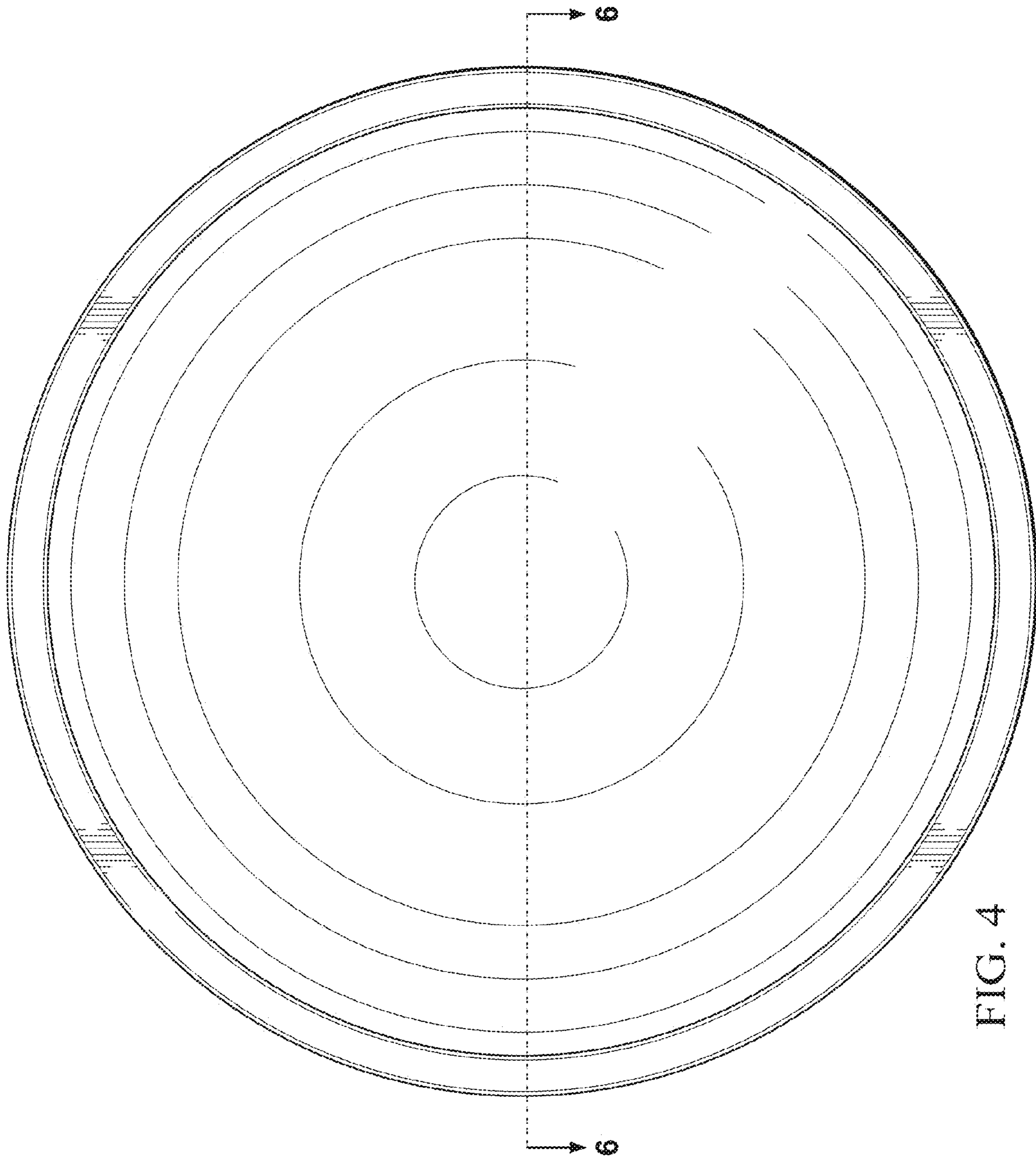


FIG. 4

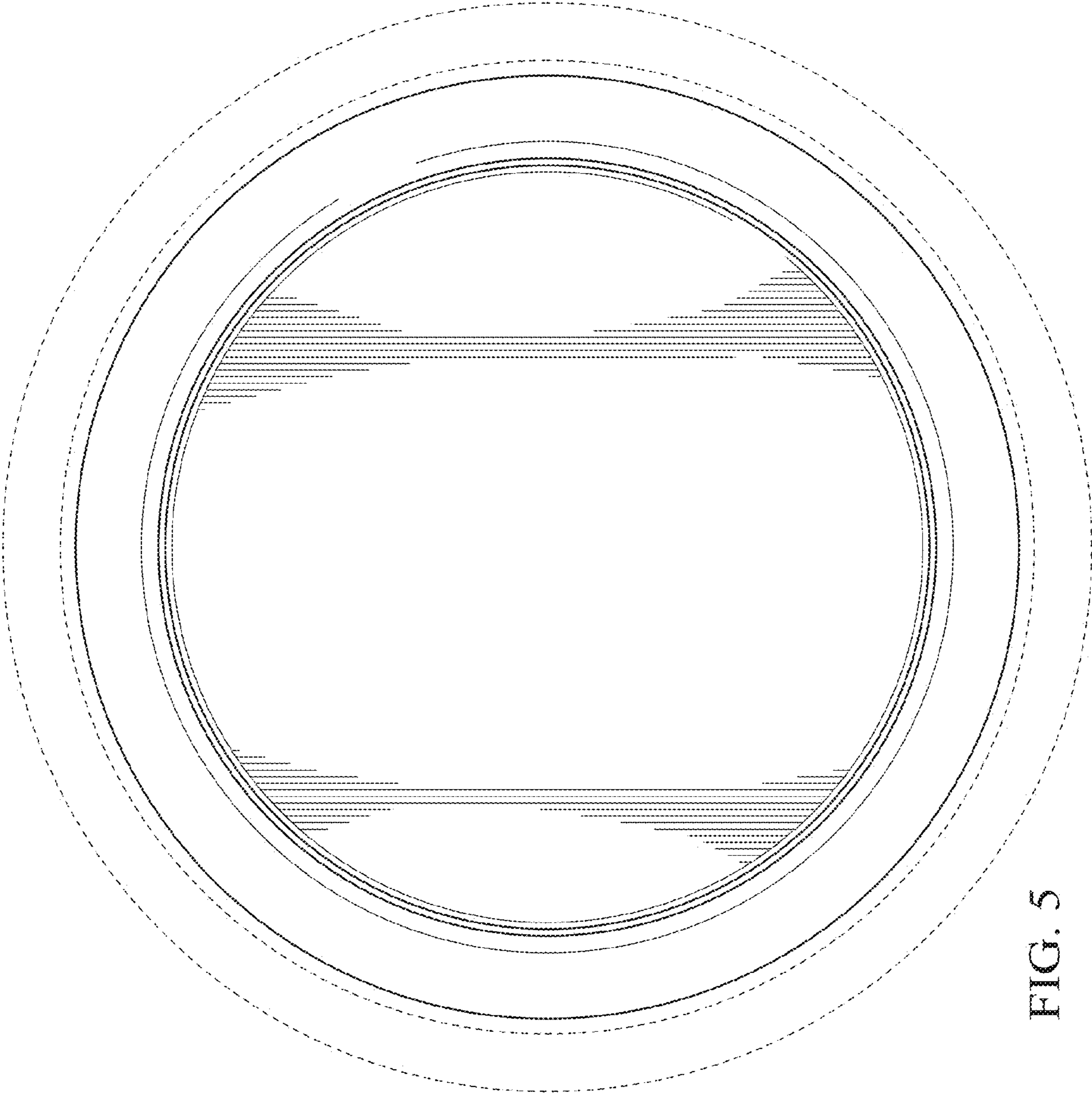


FIG. 5

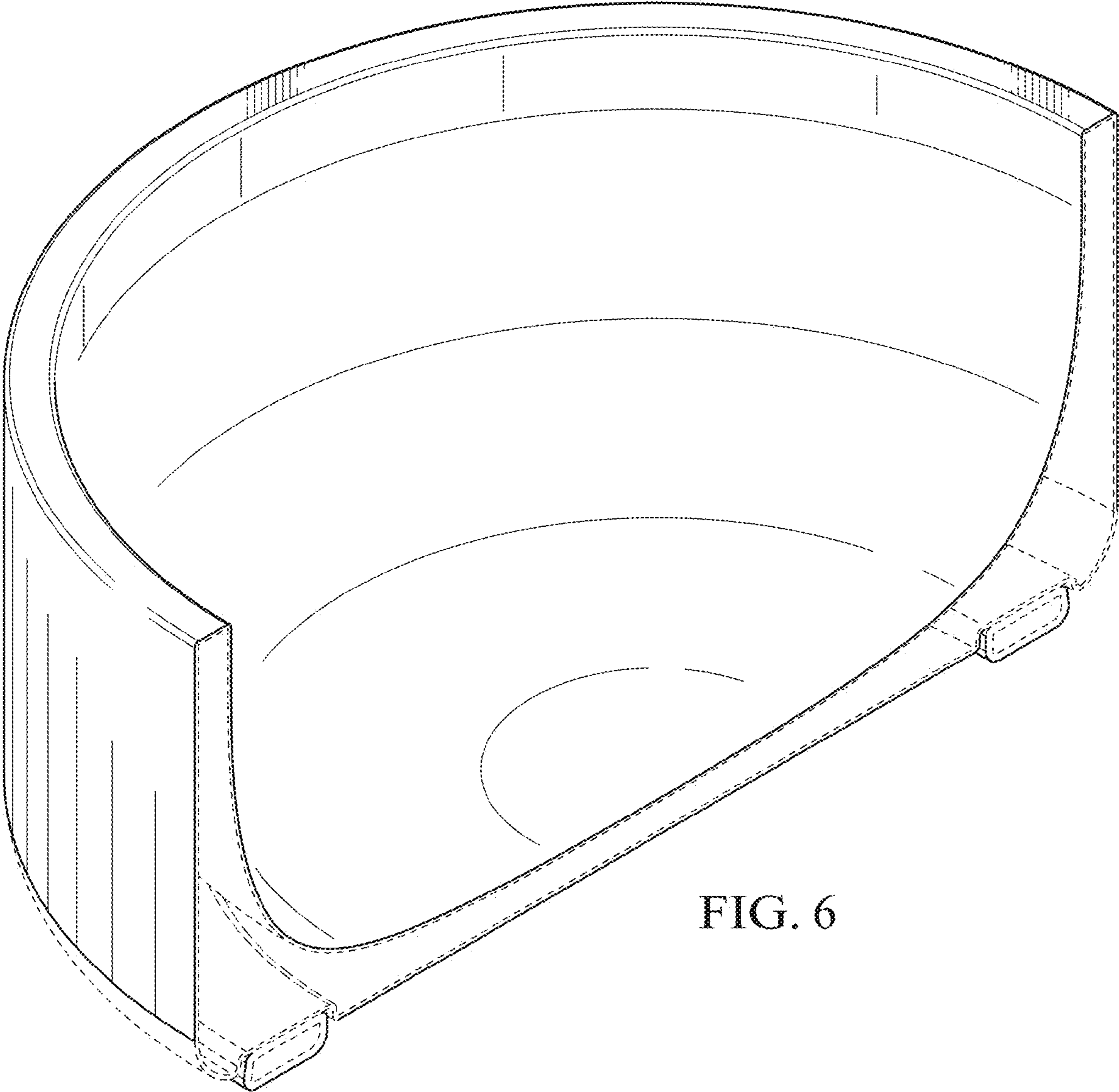


FIG. 6