



US00D911779S

(12) **United States Design Patent**
Hunter et al.

(10) **Patent No.:** **US D911,779 S**
(45) **Date of Patent:** **** Mar. 2, 2021**

- (54) **MUG**
- (71) Applicant: **YETI Coolers, LLC**, Austin, TX (US)
- (72) Inventors: **Desiree Hunter**, Austin, TX (US);
Robert Throop, Austin, TX (US);
Mark Carlson Rane, Austin, TX (US);
Laura Flores, Austin, TX (US);
Michael Cieszko, Austin, TX (US)

- D105,373 S 7/1937 Connor
 - 2,088,387 A 7/1937 Rice, Jr. et al.
 - 2,128,466 A 8/1938 Machotka
 - 2,215,402 A 9/1940 McDonald
 - 2,215,691 A 9/1940 East
- (Continued)

- (73) Assignee: **YETI Coolers, LLC**, Austin, TX (US)
- (**) Term: **15 Years**

FOREIGN PATENT DOCUMENTS

- CN 2059327 U 7/1990
 - CN 3606899 2/2007
- (Continued)

- (21) Appl. No.: **29/658,870**
- (22) Filed: **Aug. 3, 2018**
- (51) **LOC (13) Cl.** **07-01**
- (52) **U.S. Cl.**
USPC **D7/536; D7/533**
- (58) **Field of Classification Search**
USPC D7/509, 510, 511, 523, 529, 532, 530,
D7/531, 533, 536, 318, 319; D9/503,
D9/504; D3/202
CPC A47G 19/22; A47G 19/2288; A47G
19/2205; A47G 19/2272; B65D 1/265;
A47J 41/0077; A47J 41/0088; A47J
41/028

OTHER PUBLICATIONS

https://www.amazon.com/Culver-18-Ounce-Campfire-Ceramic-White/dp/B07CNVWPKK/ref=sr_1_fkmr0_1?keywords=Culver+18-Ounce+Tall+Campfire+Ceramic+Mug+Set+of+4+%28White%29%3A+Kitchen+%26+Dining&qid=1578077705&sr=8-1-fkmr0 Culver Apr. 2018 (Year: 2018).*

(Continued)

Primary Examiner — Jae Liang
(74) *Attorney, Agent, or Firm* — Banner & Witcoff, Ltd.

(57) **CLAIM**

The ornamental design for a mug, as shown and described.

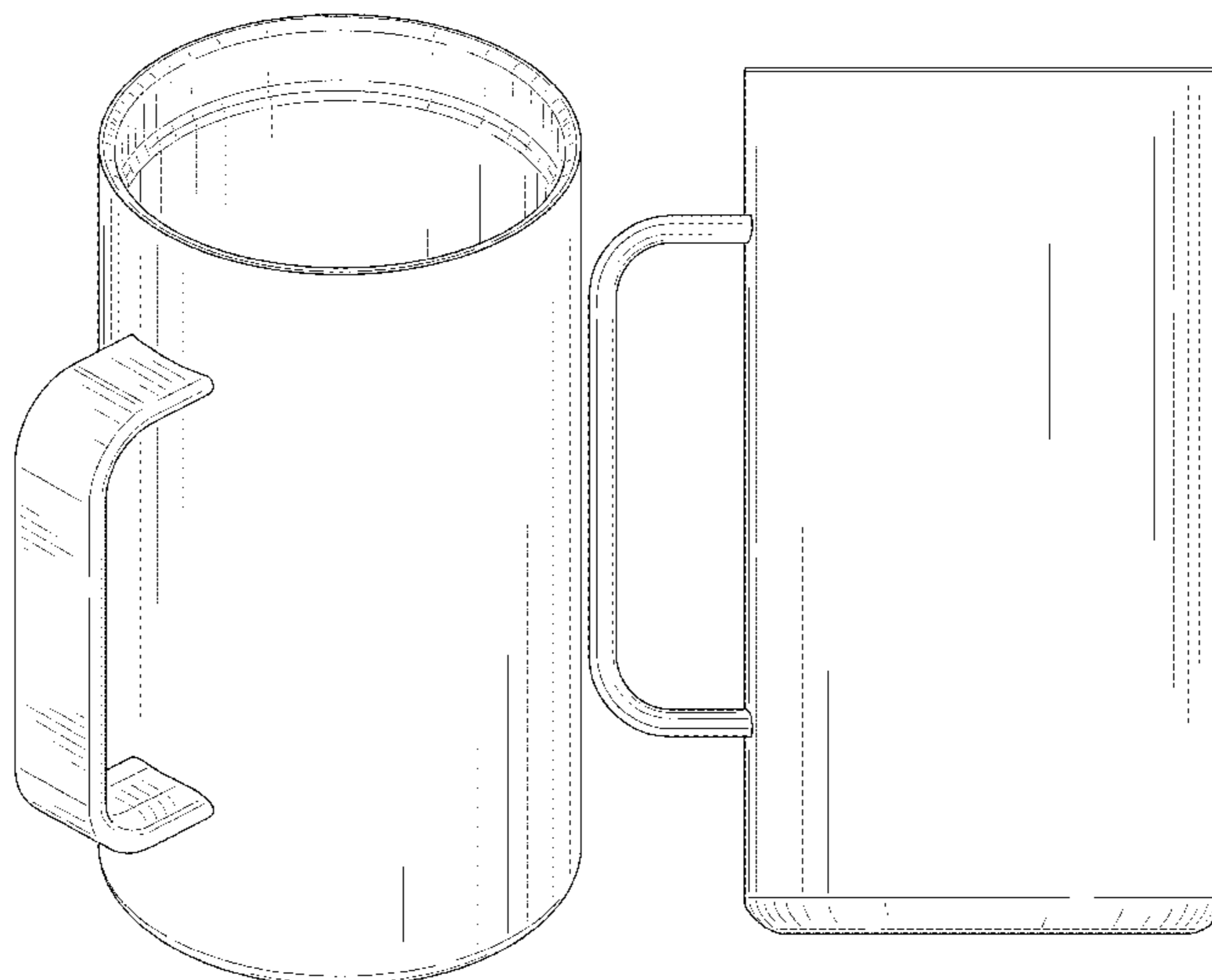
DESCRIPTION

FIG. 1 is a top, front, left perspective view of a mug showing our new design;
FIG. 2 is a front view thereof;
FIG. 3 is a rear view thereof;
FIG. 4 is a right side view thereof;
FIG. 5 is a left side view thereof;
FIG. 6 is a top view thereof;
FIG. 7 is a bottom view thereof; and,
FIG. 8 is a cross section view showing a section taken along line 8-8 of FIG. 6.
The broken lines depicting the remainder of the mug show features that form no part of the claimed design.

(56) **References Cited**
U.S. PATENT DOCUMENTS

- D2,440 S 9/1866 Matthews, Jr.
- 604,514 A 5/1898 Belden
- 899,290 A 9/1908 Bricker et al.
- 1,133,420 A 3/1915 Young
- D47,798 S 9/1915 Pick
- 1,191,319 A * 7/1916 Kline F25D 3/08
220/592.16
- 1,771,186 A * 7/1930 Mock A47G 19/027
62/457.3
- 2,029,429 A 2/1936 Koons
- 2,070,414 A 2/1937 Snell

1 Claim, 7 Drawing Sheets



US D911,779 S

Page 2

(56)

References Cited

U.S. PATENT DOCUMENTS

		2,378,867 A	6/1945	Reichart		D266,391 S	10/1982	Jordon
		2,414,697 A	1/1947	Pettersson		4,357,809 A *	11/1982	Held A47G 19/2288 215/12.2
		2,484,608 A	10/1949	Cheyney				
		2,610,489 A *	9/1952	Clemensen	A47G 19/2205 215/374			
		2,675,954 A	4/1954	Vogel		D269,147 S	5/1983	Trombly
		D177,559 S	5/1956	Emmert		4,420,081 A *	12/1983	Dart B65D 1/265 206/519
		2,871,051 A	1/1959	Nesslein et al.				
		D186,555 S	11/1959	Hunt		4,452,374 A	6/1984	Hitchcock et al.
		2,928,570 A	3/1960	Fitch		4,452,375 A	6/1984	Marcus
		2,981,562 A	4/1961	Long		4,456,134 A	6/1984	Cooper
		3,118,560 A *	1/1964	Cornelius	A47J 41/0077 220/592.22	D274,502 S	7/1984	Little
						D277,921 S	3/1985	Otto
		3,128,029 A	4/1964	Price		4,540,611 A	9/1985	Henderson
		3,202,309 A	8/1965	Simpson		D285,032 S	8/1986	Alonzo
		3,206,210 A	9/1965	Bard		D285,637 S	9/1986	Zieff et al.
		3,261,633 A	7/1966	Sakuta		D286,604 S	11/1986	Bierlein et al.
		3,342,370 A	9/1967	Johnson		4,620,642 A	11/1986	Wertz et al.
		D209,308 S	11/1967	Schilling		D286,967 S	12/1986	Appel
		3,353,729 A	11/1967	Hull		D288,766 S	3/1987	Tardif
		D209,533 S	12/1967	Cole		4,654,274 A	3/1987	DeMars
		D211,818 S	7/1968	Massey		D289,143 S	4/1987	Guillaume
		3,421,681 A	1/1969	Frank		D289,484 S	4/1987	Forquer et al.
		3,458,164 A	7/1969	Massey		4,715,633 A	12/1987	Brink et al.
		3,463,140 A	8/1969	Rollor		4,720,023 A	1/1988	Jeff
		D217,781 S	6/1970	Stone		4,746,028 A	5/1988	Bagg
		3,571,940 A	3/1971	Bender		D298,200 S	10/1988	Block et al.
		3,578,524 A	5/1971	Ignell		4,798,063 A	1/1989	Rimmer
		3,602,386 A *	8/1971	Brime	A47G 23/0216 215/12.1	D299,688 S	2/1989	Chung
						D300,495 S	4/1989	Minuti
		3,603,106 A	9/1971	Ryan et al.		D301,821 S	6/1989	Bartolo
		3,679,253 A	7/1972	Simms		4,848,625 A	7/1989	Lucia
		3,682,352 A	8/1972	Doucette		D307,089 S	4/1990	Lage
		3,703,255 A *	11/1972	Wade	B29C 44/0415 229/400	D309,545 S *	7/1990	Ancona D7/300
						4,953,743 A	9/1990	Dart et al.
		3,730,383 A	5/1973	Dunn et al.		D312,044 S	11/1990	Davis
		D227,532 S	7/1973	Refsgaard		4,993,675 A	2/1991	Walker
		3,753,512 A	8/1973	Curry		D318,428 S	7/1991	Kowk
		3,755,030 A *	8/1973	Doman	A47G 19/2288 156/73.5	5,029,720 A	7/1991	Bridges
						D319,755 S	9/1991	Guy
		3,765,559 A *	10/1973	Sauey	A47G 19/2288 220/592.16	D322,753 S	12/1991	Sussman
						D324,281 S	2/1992	Brussing
		D229,006 S	11/1973	Sauey		D324,976 S	3/1992	Katz
		D231,068 S *	4/1974	Douglas	D7/533	D327,093 S	6/1992	Evenson
		3,827,925 A *	8/1974	Douglas	A47J 41/0077 156/73.1	5,168,140 A	12/1992	Welker
						D334,869 S *	4/1993	Mills D7/536
		3,979,011 A	9/1976	Schleicher		D337,029 S	7/1993	McKechnie
		3,995,445 A	12/1976	Huskins		5,249,703 A	10/1993	Karp
		4,027,779 A	6/1977	De Long		D345,676 S	4/1994	Biffle
		D246,029 S	10/1977	Lynn et al.		D346,092 S *	4/1994	Van De Velde D7/533
		4,055,273 A	10/1977	Jones		D351,314 S	10/1994	Sokolski et al.
		D247,541 S	3/1978	Barger		D352,201 S	11/1994	Spence, Jr.
		4,096,947 A *	6/1978	Morse	B65D 1/265 206/217	D352,210 S	11/1994	Cousins et al.
						5,390,804 A	2/1995	Beggins
		4,120,073 A	10/1978	Studebaker		5,398,842 A	3/1995	Sokolski et al.
		4,127,915 A	12/1978	Logan et al.		5,400,907 A *	3/1995	Chen A47G 19/2227 206/459.1
		4,136,799 A	1/1979	Albert				
		D250,986 S	2/1979	Thrush		D357,387 S	4/1995	Davidson et al.
		D251,175 S	2/1979	Logan et al.		D358,531 S	5/1995	Cousins et al.
		4,151,923 A	5/1979	Bernardi et al.		5,427,269 A	6/1995	Willbrandt
		4,163,374 A	8/1979	Moore et al.		D360,133 S	7/1995	Boller
		4,183,226 A	1/1980	Moore		5,433,337 A	7/1995	Willbrandt
		D254,417 S	3/1980	DeMars et al.		5,433,339 A	7/1995	Sarver
		D256,418 S	8/1980	Corbett		D362,369 S *	9/1995	Bridges D7/533
		D257,524 S	11/1980	Heinrich		D363,642 S	10/1995	Goto et al.
		4,253,630 A	3/1981	Rigg		5,467,891 A	11/1995	Perry
		D258,795 S	4/1981	Zamorski		D366,186 S	1/1996	Kato
		4,261,501 A	4/1981	Watkins et al.		D368,830 S	4/1996	Lu
		D263,581 S	3/1982	Kaye		5,508,498 A	4/1996	Rheinish et al.
		D265,159 S	6/1982	La Barbera		D370,300 S	5/1996	Gottvald et al.
		D265,279 S	7/1982	Wright		5,531,353 A	7/1996	Ward et al.
		D265,880 S	8/1982	Craig		D372,839 S	8/1996	Laib
		4,344,303 A	8/1982	Kelly, Jr.		D373,290 S	9/1996	Ballin
		D266,305 S	9/1982	Scheurer		D375,870 S	11/1996	Stonehouse
						5,573,141 A	11/1996	Chen
						D377,132 S *	1/1997	Jorgensen D7/318
						D377,741 S	2/1997	Bennett et al.
						D379,738 S	6/1997	Liming et al.
						D379,740 S	6/1997	Miller
						D382,174 S	8/1997	Grimm
						5,655,805 A	8/1997	Shaddy

(56)

References Cited

U.S. PATENT DOCUMENTS

D383,638 S *	9/1997	Joergensen	D7/317	D455,613 S	4/2002	Bruinsma et al.
D384,246 S	9/1997	McKnight			D455,933 S	4/2002	Marck
D384,557 S	10/1997	Goza			D456,578 S	4/2002	Smith et al.
D386,948 S	12/1997	Wissinger			6,371,328 B1	4/2002	Yamada et al.
D395,200 S *	6/1998	Bidwell	D7/509	D457,036 S	5/2002	Manuel
D395,238 S	6/1998	Freitas			D457,245 S	5/2002	Royal et al.
5,769,262 A	6/1998	Yamada et al.			D457,389 S	5/2002	Snell
D395,825 S	7/1998	Freitas			6,392,206 B1	5/2002	Von Arx et al.
D396,381 S	7/1998	Chung			D458,081 S	6/2002	Bodum
D396,384 S *	7/1998	Slaten	D14/218	6,398,065 B1	6/2002	Lewis
D396,605 S	8/1998	Benson			6,409,038 B1	6/2002	Karp
5,788,298 A	8/1998	Cheng			D460,895 S	7/2002	Lin
5,799,369 A	9/1998	Schulein			D462,879 S	9/2002	Martens
D399,099 S	10/1998	Cousins			6,450,363 B1	9/2002	Lin
5,816,631 A	10/1998	Kochan			D463,715 S	10/2002	Dretzka
5,820,016 A	10/1998	Stropkay			D465,132 S	11/2002	Janky et al.
5,839,599 A *	11/1998	Lin	A47G 19/2227 220/62.12	D466,371 S	12/2002	Parker
D401,808 S	12/1998	Grivsky			D466,814 S	12/2002	Hurlburt
D402,766 S	12/1998	Smith et al.			D470,724 S	2/2003	Basara
5,848,722 A	12/1998	Hanes			D471,064 S	3/2003	Renz
D404,241 S *	1/1999	Bagley	D7/513	D471,763 S	3/2003	Hurlbut et al.
D404,974 S	2/1999	Kristinik			D472,101 S	3/2003	Janky
D405,609 S	2/1999	Fu et al.			D472,145 S	3/2003	Nottingham et al.
5,868,310 A	2/1999	Leszczynski			D473,105 S	4/2003	Ayers et al.
D408,689 S	4/1999	Kato			D474,651 S	5/2003	Ward
D409,445 S	5/1999	Lage et al.			6,557,751 B2	5/2003	Puerini
D412,806 S	8/1999	Pierce			D476,193 S	6/2003	Janky
5,948,728 A	9/1999	Patton et al.			D476,528 S	7/2003	Janky et al.
D415,651 S	10/1999	Trombly			D477,185 S	7/2003	Janky
5,964,102 A *	10/1999	Tsai	A47G 19/2288 252/73	6,588,064 B2	7/2003	Baum
D416,444 S *	11/1999	Jørgensen	D7/533	6,626,326 B2	9/2003	Murakami
D416,757 S	11/1999	Ginuntoli			D483,165 S	12/2003	Dretzka
D417,589 S	12/1999	Parker			D483,610 S	12/2003	Kerman
D417,590 S	12/1999	Kato			D483,995 S	12/2003	Otake
D417,593 S	12/1999	Ruegg			D484,361 S	12/2003	Jeung
D417,819 S	12/1999	Kelly-Pollet			6,658,701 B1	12/2003	DeHart et al.
D418,013 S	12/1999	Fujii			6,685,047 B1	2/2004	Mott et al.
6,050,443 A	4/2000	Tung			D488,673 S	4/2004	Farce
6,065,609 A	5/2000	Lake			D489,574 S	5/2004	Copeland
6,065,632 A *	5/2000	Moore, Jr.	A45F 3/16 206/818	D490,274 S	5/2004	Irvine
D427,853 S	7/2000	Kohlhase			6,729,665 B1	5/2004	Posey et al.
6,085,931 A	7/2000	Sadow			D493,068 S	7/2004	Slater et al.
D429,607 S	8/2000	Prim			D493,332 S	7/2004	Bin
6,094,935 A	8/2000	Stein			D497,079 S	10/2004	Paggio
6,102,458 A	8/2000	Scace			D497,778 S	11/2004	Rich
6,135,312 A	10/2000	Chen et al.			D502,050 S	2/2005	Munson et al.
D433,599 S	11/2000	Kristiansen et al.			D502,052 S	2/2005	Meade
D433,876 S	11/2000	Freed			6,864,462 B2	3/2005	Sanoner et al.
6,149,028 A	11/2000	Yu			D507,155 S	7/2005	Gosen et al.
6,161,720 A *	12/2000	Castle	A47G 19/2288 220/501	6,962,265 B1	11/2005	Zhang
D436,295 S	1/2001	Furman et al.			D512,272 S	12/2005	Avrish
D436,804 S	1/2001	Wolfe			D512,275 S	12/2005	Kent-Fawkes
D437,187 S	2/2001	Cheng			6,979,031 B2	12/2005	Coppotelli et al.
6,216,909 B1	4/2001	Lin			D521,802 S	5/2006	Sands
D441,288 S	5/2001	Pillers et al.			D524,607 S	7/2006	Kent-Fawkes
D442,833 S	5/2001	Shuman			D527,222 S	8/2006	Liu
6,237,801 B1	5/2001	Liu			D530,852 S	10/2006	Zheng
6,241,415 B1	6/2001	Stark			D533,748 S	12/2006	Bresler
D445,687 S	7/2001	Gilbertson			D534,396 S	1/2007	Kramer
6,260,732 B1	7/2001	Khodush			D537,676 S	3/2007	Kingsley
D446,687 S	8/2001	Furman et al.			D537,677 S	3/2007	Bresler
D447,005 S	8/2001	Trombly			7,195,137 B2	3/2007	Belcastro
6,332,557 B1	12/2001	Moran			D540,124 S	4/2007	Ross
6,352,168 B1	3/2002	Lin			7,201,285 B2	4/2007	Beggins
6,352,235 B2	3/2002	Cizek			7,207,538 B2	4/2007	Kent-Fawkes
6,360,913 B1	3/2002	Bruinsma et al.			D547,611 S	7/2007	Seum et al.
D455,047 S	4/2002	Wolfe et al.			D548,012 S	8/2007	Tien
D455,048 S	4/2002	Marck			D549,523 S	8/2007	Montes
D455,052 S	4/2002	Gullickson et al.			D552,932 S	10/2007	Carlson
D455,610 S	4/2002	Bridges			D553,440 S	10/2007	Bodum
D455,612 S	4/2002	Gullickson et al.			D553,910 S	10/2007	Bodum
					7,284,777 B1	10/2007	Kraemer
					D556,509 S	12/2007	Bonini
					D557,564 S	12/2007	Bodum
					D557,567 S	12/2007	Gronikowski et al.
					D561,590 S	2/2008	Kingsley
					D562,072 S	2/2008	Wahl
					D564,356 S	3/2008	Nickleberry
					D565,900 S	4/2008	Franco

(56)

References Cited

U.S. PATENT DOCUMENTS

D565,901 S	4/2008	Edelstein et al.	8,251,247 B1	8/2012	Breckner
D566,471 S	4/2008	Bodum	D669,735 S	10/2012	Wong
D567,590 S	4/2008	Bodum	D670,525 S	11/2012	Fallon et al.
D568,685 S	5/2008	Bodum	D675,063 S	1/2013	Wahl
D569,183 S	5/2008	Blake	D675,066 S	1/2013	Conlin et al.
H2217 H	6/2008	Smay et al.	D675,100 S	1/2013	Herbst
D570,213 S	6/2008	Newman	8,364,542 B2	1/2013	Grauel et al.
D572,136 S	7/2008	Boni	D676,746 S	2/2013	Shaffer et al.
D573,390 S	7/2008	Ablo	D679,949 S	4/2013	Meritt
D577,260 S	9/2008	Bodum	D679,960 S	4/2013	Hopkins et al.
D585,245 S	1/2009	Brouillette	D680,375 S	4/2013	Pousard et al.
D586,182 S	2/2009	Trombly	D680,378 S	4/2013	Romley
D587,523 S	3/2009	Moon	D680,387 S	4/2013	Hopkins et al.
D587,967 S	3/2009	Wahl	D682,625 S	5/2013	Lane
D588,497 S	3/2009	Claffey	D682,626 S	5/2013	Lane
D588,912 S	3/2009	Christensen et al.	D684,459 S	6/2013	Stowe et al.
D592,015 S	5/2009	Carpenter	D684,819 S	6/2013	Smith
D592,056 S	5/2009	Tedford, Jr.	D685,231 S	7/2013	Lane
D592,058 S	5/2009	Rapaport	8,499,951 B1	8/2013	McDonald et al.
7,527,310 B2	5/2009	Shaskey, Sr.	D691,421 S *	10/2013	Jones D7/536
D593,372 S	6/2009	Carreno	D691,847 S	10/2013	Beckman
D593,811 S	6/2009	Carreno	D693,176 S	11/2013	Kaiser
D593,859 S	6/2009	Barnum	D693,649 S	11/2013	Yeung
D594,687 S	6/2009	Bodum	D694,112 S	11/2013	Brown
D595,133 S	6/2009	Lewis	D695,138 S	12/2013	Ball
D598,747 S	8/2009	Caldwell	8,608,019 B2	12/2013	Wren
D600,073 S	9/2009	Carreno	D698,200 S	1/2014	Lauwagie
D600,978 S	9/2009	Poindexter et al.	D699,595 S	2/2014	Farrow et al.
7,581,704 B1	9/2009	Pugsley	8,684,430 B1	4/2014	Brandon
7,581,770 B2	9/2009	Jones	D705,012 S	5/2014	Lapsker
7,604,270 B1	10/2009	McCarthy	D709,737 S	7/2014	Weinert et al.
D608,133 S	1/2010	Choi	D709,738 S	7/2014	Weinert et al.
D609,534 S	2/2010	Traficante et al.	D710,155 S	8/2014	Tatsukawa
D610,006 S	2/2010	Ortell	D710,698 S	8/2014	Giraud et al.
D610,176 S	2/2010	Nagamine et al.	D711,684 S	8/2014	Perdomo
7,686,183 B2	3/2010	Ziegler	D712,701 S	9/2014	Boroski
D613,554 S	4/2010	Koennecke	D713,686 S	9/2014	Eyal
D615,366 S	5/2010	Berezansky	D715,100 S	10/2014	Eyal
D615,817 S	5/2010	George	D715,101 S	10/2014	Grcic
D616,248 S	5/2010	George	D717,605 S	11/2014	Kristinik
D617,608 S	6/2010	Yang et al.	D717,606 S	11/2014	Kristinik
D617,640 S	6/2010	Jones	D719,785 S	12/2014	Grcic
D618,964 S	7/2010	Eisenhardt	D719,788 S	12/2014	Soltz et al.
D621,667 S	8/2010	Ablo	D720,187 S	12/2014	Romley
D622,548 S	8/2010	Jensen et al.	8,899,644 B2	12/2014	Hancey
D622,554 S	8/2010	Carreno	8,919,603 B2	12/2014	Greene
D626,414 S	11/2010	Cresswell et al.	D721,250 S	1/2015	Chen et al.
D627,192 S	11/2010	Gilbert et al.	D721,546 S	1/2015	Davidson
D629,657 S	12/2010	Carreno	D722,830 S	2/2015	Miller
D629,691 S	12/2010	Cresswell et al.	D724,385 S	3/2015	Hurley et al.
D631,699 S	2/2011	Moreau	D727,688 S	4/2015	Hewitt et al.
D635,400 S	4/2011	Snyder	D728,311 S	5/2015	Eyal
D635,401 S	4/2011	DelVecchio	D728,314 S	5/2015	Carstensen et al.
D636,640 S	4/2011	Latham	D729,581 S	5/2015	Boroski
D639,608 S	6/2011	Tohm, Sr.	9,021,662 B1	5/2015	Jones
D641,591 S	7/2011	Tsukida	9,038,850 B1	5/2015	Wilson
D643,289 S	8/2011	Harlan	D730,696 S	6/2015	Nemeth et al.
D648,599 S	11/2011	Watanabe et al.	D731,240 S	6/2015	Bell et al.
D649,836 S	12/2011	Dooley et al.	D731,241 S	6/2015	Yessin et al.
D650,232 S	12/2011	Gilbert	D731,251 S	6/2015	Lane
D652,256 S	1/2012	Eyal	D732,338 S	6/2015	Boroski
D653,082 S	1/2012	George	D732,343 S	6/2015	Romley
D655,134 S	3/2012	Gilbert	D732,347 S	6/2015	Katterheinrich et al.
D656,361 S	3/2012	Gilbert	D734,096 S	7/2015	George et al.
D657,670 S	4/2012	Folos et al.	D740,073 S	10/2015	Zorovich et al.
D658,922 S	5/2012	Fallon et al.	D740,077 S	10/2015	Strepkoff
D659,474 S	5/2012	Wahl et al.	D740,618 S	10/2015	Knoll
D660,082 S	5/2012	Wahl	D742,743 S	11/2015	Thurin et al.
D660,084 S	5/2012	Gilbert	D743,207 S	11/2015	Pendleton et al.
D660,655 S	5/2012	Wahl et al.	D747,626 S	1/2016	Morris, II et al.
D663,169 S	7/2012	Beggins et al.	D747,929 S	1/2016	Arseneau et al.
D664,001 S	7/2012	Liu	D751,341 S	3/2016	Seiders et al.
8,225,957 B1	7/2012	Volan	D752,397 S	3/2016	Seiders et al.
D665,491 S	8/2012	Goel et al.	D754,536 S	4/2016	Arriaga
D666,061 S	8/2012	Ying	D759,483 S	6/2016	Jalet
			D764,870 S	8/2016	Choi
			D766,661 S	9/2016	Bodum
			D772,012 S	11/2016	Wampold
			D773,250 S	12/2016	Miller

(56)

References Cited

U.S. PATENT DOCUMENTS

D776,980 S 1/2017 Thun et al.
 D779,285 S 2/2017 Seiders et al.
 D779,891 S 2/2017 Seiders et al.
 D779,892 S 2/2017 Seiders et al.
 D780,527 S 3/2017 Salama
 D780,530 S 3/2017 Seiders et al.
 D780,531 S 3/2017 Seiders et al.
 D780,532 S 3/2017 Seiders et al.
 D780,533 S 3/2017 Seiders et al.
 D782,878 S 4/2017 Thun et al.
 D784,137 S 4/2017 Cates
 D786,023 S 5/2017 Polack et al.
 D786,025 S 5/2017 Seiders et al.
 D786,673 S 5/2017 Moffat
 D787,893 S 5/2017 Seiders et al.
 D790,272 S 6/2017 Han
 D791,543 S 7/2017 Mulhauser et al.
 D793,172 S 8/2017 Medina
 D795,007 S 8/2017 Plassmeyer
 D795,643 S 8/2017 Barlow
 D797,510 S 9/2017 Ke
 D798,112 S 9/2017 Godsey
 9,750,359 B2 9/2017 Kah, Jr.
 D799,906 S 10/2017 Seiders et al.
 D801,753 S 11/2017 Piper et al.
 D802,977 S * 11/2017 Bodum D7/317
 D803,001 S 11/2017 Bodum
 D804,556 S 12/2017 Harada et al.
 D807,125 S 1/2018 Seiders et al.
 D808,733 S 1/2018 Spivey et al.
 D813,607 S 3/2018 Nally et al.
 D814,243 S * 4/2018 Pape D7/536
 D820,046 S 6/2018 Seiders et al.
 D822,440 S * 7/2018 Kuh D7/536
 D827,381 S 9/2018 Boroski
 D830,788 S 10/2018 Petrillo et al.
 D832,050 S * 10/2018 Diener D7/510
 D839,676 S 2/2019 Seiders et al.
 D839,677 S 2/2019 Seiders et al.
 2001/0023595 A1 * 9/2001 Kaposi A47G 19/2288
 62/457.3
 2002/0066758 A1 6/2002 Fadal et al.
 2003/0159245 A1 8/2003 Harman
 2004/0000565 A1 * 1/2004 Nicholas A47G 19/2205
 222/142.9
 2004/0080930 A1 4/2004 Winters et al.
 2004/0149763 A1 * 8/2004 Chen A47G 7/06
 220/703
 2004/0187265 A1 9/2004 Ho
 2005/0218109 A1 10/2005 Semersky et al.
 2006/0175506 A1 8/2006 Lan
 2007/0114236 A1 5/2007 Shiffer et al.
 2007/0138188 A1 6/2007 Mace et al.
 2007/0295738 A1 12/2007 Hussain
 2008/0012368 A1 1/2008 Kent-Fawkes
 2008/0017654 A1 1/2008 Chu
 2008/0023434 A1 1/2008 Takayama
 2008/0101056 A1 5/2008 Bhavnani
 2008/0237242 A1 10/2008 Gifford
 2009/0008399 A1 1/2009 Mayled et al.
 2009/0065469 A1 3/2009 McClellan et al.
 2009/0200322 A1 8/2009 Hunter
 2011/0204017 A1 8/2011 O'Sullivan
 2011/0233219 A1 9/2011 Proskey
 2012/0074155 A1 3/2012 Yeung
 2012/0261408 A1 10/2012 White
 2013/0098932 A1 4/2013 Hunt
 2013/0186849 A1 7/2013 Iwashita
 2014/0263368 A1 * 9/2014 Booska B65D 81/3484
 220/592.17
 2015/0041480 A1 2/2015 Ramsey
 2015/0089964 A1 * 4/2015 Chung F25D 3/00
 62/62
 2015/0108150 A1 4/2015 Garcia

2015/0108152 A1 4/2015 Franzen et al.
 2015/0122828 A1 5/2015 Madala
 2015/0164256 A1 6/2015 Helton
 2015/0216343 A1 * 8/2015 Price C03C 27/10
 220/592.17
 2015/0291316 A1 10/2015 Fietz
 2016/0318692 A1 11/2016 Wilson
 2017/0096258 A1 * 4/2017 Seiders A47J 41/028
 2017/0259983 A1 * 9/2017 Tolman B65D 81/3869
 2017/0267408 A1 9/2017 Martinez
 2018/0289186 A1 * 10/2018 Heiberger B65D 47/10
 2018/0305091 A1 * 10/2018 Krafft A47G 19/2227
 2018/0312322 A1 11/2018 Canales
 2019/0307292 A1 * 10/2019 Haas A47J 41/0088

FOREIGN PATENT DOCUMENTS

CN 3681232 8/2007
 CN 300754212 3/2008
 CN 201208219 Y 3/2009
 CN 300959563 7/2009
 CN 300959564 7/2009
 CN 300959565 7/2009
 CN 301026132 9/2009
 CN 301095376 12/2009
 CN 301773772 12/2011
 CN 202104668 U 1/2012
 CN 202891397 U 4/2013
 CN 302846604 6/2014
 CN 302892949 7/2014
 CN 303123979 3/2015
 CN 303263048 7/2015
 CN 303517025 12/2015
 CN 304215274 7/2017
 CN 304296007 9/2017
 CN 304405160 12/2017
 CN 304435767 1/2018
 CN 304453288 1/2018
 CN 304512433 2/2018
 CN 304563902 4/2018
 CN 304655117 6/2018
 CN 304721141 7/2018
 CN 304745435 7/2018
 CN 304786699 8/2018
 CN 305230085 S 12/2019
 EM 000564778-0001 8/2006
 EM 000775721-0001 9/2007
 EM 002939926-0001 1/2016
 EM 001360911-0001 3/2016
 EM 004374155-0003 9/2017
 EM 004742526-0001 7/2018
 EM 005322914-0001 7/2018
 EM 005322914-0002 7/2018
 GB 3024951 7/2006
 GB 5000865 4/2016
 IN 250749-0001 8/2013
 IN 263049-0001 3/2015
 JP HN08001596 12/1995
 JP 1219538 10/2004
 JP 1288694 12/2006
 JP 1302290 6/2007
 JP 1370441 10/2009
 JP 1483261 11/2013
 JP D1483263 11/2013
 JP 1546179 S 3/2016
 JP D2016-4373 11/2017
 JP 30-0956050 5/2018
 KR 200840850 2/2016
 KR 300840850 2/2016
 KR 300840850.0000 2/2016
 KR 300905323.0000 5/2017
 KR 3009075550001 5/2017
 KR 300924542.0000 9/2017
 KR 30093350.0000 11/2017
 PH 3-2012-31-0001 5/2012
 WO D029764-033 8/1994
 WO 0162614 A1 8/2001
 WO 2006048119 A1 5/2006
 WO 2011022857 A2 3/2011

(56)

References Cited

FOREIGN PATENT DOCUMENTS

WO	2012064184	A1	5/2012
WO	2013163725	A1	11/2013
WO	D094255-001		1/2017

OTHER PUBLICATIONS

https://www.amazon.com/Townie-Insulated-Coffee-Double-Vacuum/dp/B07BB31PJ7/ref=sr_1_1?keywords=Maars+Drinkware+79716-1PK+14+oz+%7C+Double+Wall+Vacuum+Sealed+Tumbler+Travel+Friendly%2C+Compact+Size%2C+1+Pack%2C+Matcha+Green%3A+Home+%26+Kitchen&qid=1578083307&sr=8-1 Maars Mar. 2018 (Year: 2018).*

https://www.amazon.com/American-Mug-Pottery-Ceramic-Square/dp/B06XRVL72/ref=sr_1_1?keywords=American+Mug+Pottery+Ceramic+Square+Handle+Coffee+Mug%2C+Made+in+USA%2C+Cobalt+Blue%2C+17+oz+-+Pack+of+2%3A+Coffee+Cups+%26+Mugs&qid=1578083413&sr=8-1 American Mug Pottery (Year: 2017).*
Oct. 25, 2019 JP Office Action—App. No. 2019-002063.

Thermos Stainless Steel Can Insulator [online], [retrieved Mar. 19, 2018], Retrieved from the Internet, URL: <<https://www.youtube.com/watch?v=p8pV3BhAOiU>>, 1 color page, published on Oct. 8, 2008.

Custom Ventura Travel Tumbler—Promotional Travel Mugs at 4imprint [online], [retrieved Mar. 19, 2018], Retrieved from the Internet, URL: <<https://www.youtube.com/watch?v=e8okCU8DaP4>>>, 1 color page, published on Dec. 19, 2014.

15 Oz. Stainless Steel Double Wall Tumbler [online], [retrieved Mar. 19, 2018], Retrieved from the Internet, URL: <<https://www.4allpromos.com/product/15-oz-stainless-steel-double-wall-tumbler>>, 5 color pages, published date unknown, but for purposes of patent prosecution prior to the filing date of the present application.

Personalized Color Touch Stainless Tumbler—Promotional Travel Mugs by 4imprint [online], [retrieved Mar. 19, 2018], Retrieved from the Internet, URL: <<https://www.youtube.com/watch?v=v7TLpRMCFIw>>, 1 color page, published on Dec. 18, 2014.

15 oz. Stainless Deal Tumbler—Custom Promotional Coffee Tumblers from InkHead.com [online], [retrieved Mar. 19, 2018], Retrieved from the Internet, URL: <<https://www.youtube.com/watch?v=vywesydY6xs>>, 1 color page, published on Jul. 11, 2011.

Reflections Metallic Tumbler [online], [retrieved Mar. 19, 2018], Retrieved from the Internet, URL: <<https://www.youtube.com/watch?v=cNT6h4cKfAs>>, 1 color page, published on Jan. 9, 2014.

Swag Standard | Seaside 15-oz. Travel Mug [online], [retrieved Mar. 19, 2018], Retrieved from the Internet, URL: <https://www.youtube.com/watch?v=cb58zm_PSOo>, 1 color page, published on Mar. 3, 2015.

Logo Coffee Mugs—Stainless Steel Tumbler w/ Color Trim—Marco [online], [retrieved Mar. 19, 2018], Retrieved from the Internet, URL: <<https://www.youtube.com/watch?v=2k72dgsWJy8>>, 1 color page, published on Apr. 21, 2014.

Promotional Cups—14 oz. Ventura Double Wall Travel Tumblers—MARCO [online], [retrieved Mar. 19, 2018], Retrieved from the Internet, URL: <<https://www.youtube.com/watch?v=QAkt5III5J4>>, 1 color page, published on May 9, 2014.

SnapSeal Byron Travel Mug [online], [retrieved Mar. 19, 2018], Retrieved from the Internet, URL: <<https://www.youtube.com/watch?v=dL1ldCz1LD0>>, 1 color page, published on Feb. 13, 2014.

Review of the Starbucks “Clip and Sip” Travel Coffee Mug [online], [retrieved Mar. 19, 2018], Retrieved from the Internet, URL: <<https://www.youtube.com/watch?v=6DfWKhLe1b4>>, 1 color page, published on Nov. 13, 2014.

Stainless Steel Curvy Tumbler (16 Oz.)—Q11830 [online], [retrieved Mar. 19, 2018], Retrieved from the Internet, URL: <<https://www.youtube.com/watch?v=8UCmHszwMLY>>, 1 color page, published on Jul. 8, 2012.

Best Tumbler Thermos Mug for coffee latte or messy drink: Starbucks Reserve Stainless Steel [online], [retrieved Mar. 19, 2018], Retrieved

from the Internet, URL: <<https://www.youtube.com/watch?v=h2IWzV6wVbk>>, 1 color page, published on Oct. 22, 2014.

CamelBak Forge Travel Mugs | Crew Review [online], [retrieved Mar. 19, 2018], Retrieved from the Internet, URL: <<https://www.youtube.com/watch?v=XuR0u3OEndY>>, 1 color page, published on Jul. 23, 2015.

Autoseal West Loop Stainless Travel Mug with Easy-Clean Lid [online], [retrieved Mar. 19, 2018], Retrieved from the Internet, URL: <<https://www.youtube.com/watch?v=bClubrvh2zs>>, 1 color page, published on Feb. 6, 2014.

Stainless King Food Jar Youtube.wmv [online], [retrieved Mar. 19, 2018], Retrieved from the Internet, URL: <https://www.youtube.com/watch?v=RGHArOT_rEs>, 1 color page, published on Oct. 20, 2010.

Thermos Food Jar Review [online], [retrieved Mar. 19, 2018], Retrieved from the Internet, URL: <<https://www.youtube.com/watch?v=3esAaqKc4po>>, 1 color page, published on Jan. 26, 2013.

Thermos Infant [online], [retrieved Mar. 19, 2018], Retrieved from the Internet, URL: <<https://www.youtube.com/watch?v=vUf2MPVSODM>>, 1 color page, published on May 14, 2013.

Promo Travel Mugs—16 oz. Double Wall Stainless Steel Tumbler—Marco [online], [retrieved Mar. 19, 2018], Retrieved from the Internet, URL: <<https://www.youtube.com/watch?v=sanCJS5rtig>>, 1 color page, published on Nov. 21, 2012.

Contigo Autoseal Stainless Steel Vacuum Insulated Tumbler Travel Mug Full Review [online], [retrieved Mar. 19, 2018], Retrieved from the Internet, URL: <<https://www.youtube.com/watch?v=O2aiMQmjIFg>>, 1 color page, published on Sep. 16, 2012.

ChillingTheMost.com Houston Boat Show 2014 [online], [retrieved Mar. 19, 2018], Retrieved from the Internet, URL: <<https://www.youtube.com/watch?v=1vUQ43gVL38>>, 1 color page, published on Aug. 29, 2014.

2012 Tampa Boat Show—Chilling The Most [online], [retrieved Mar. 19, 2018], Retrieved from the Internet, URL: <<https://www.youtube.com/watch?v=IWgldQcYz48>>, 1 color page, published on Oct. 1, 2012.

Contigo Autoseal Spill-Proof Travel Mug Review and Giveaway [online], [retrieved Mar. 19, 2018], Retrieved from the Internet, URL: <<https://www.makeuseof.com/tag/contigo-autoseal-spill-proof-travel-mug-review-and-giveaway/>>, 6 color page, published on Dec. 28, 2010.

Klean Kanteen 27oz Stainless Steel Bottle w/ Built NY 27oz Bottle Tote [online], [retrieved Mar. 19, 2018], Retrieved from the Internet, URL: <<https://www.youtube.com/watch?v=R411PhqF6Tc>>, 1 color page, published on Sep. 3, 2009.

Teavana Contour Tumbler vs Thermos Review [online], [retrieved Mar. 20, 2018], Retrieved from the Internet, URL: <<https://www.youtube.com/watch?v=O55uWyKiWRM>>, 1 color page, published on Feb. 11, 2013.

KeepCup—Inside Business [online], [retrieved Mar. 20, 2018], Retrieved from the Internet, URL: <<https://www.youtube.com/watch?v=hJ5xUpC8VXQ>>, 1 color page, published on Feb. 14, 2012.

William & the Ordinary Hero Coffee Tumbler [online], [retrieved Mar. 20, 2018], Retrieved from the Internet, URL: <https://www.youtube.com/watch?v=CwpT_KePTdk>, 1 color page, published on Jun. 10, 2011.

Persona Vacuum Tumbler (14 Oz.)—Q49231 [online], [retrieved Mar. 20, 2018], Retrieved from the Internet, URL: <<https://www.youtube.com/watch?v=XUoRO3l-uhA>>, 1 color page, published on Dec. 10, 2012.

Product Review: Klean Kanteen Wide Insulated [online], [retrieved Mar. 20, 2018], Retrieved from the Internet, URL: <<https://www.apartmenttherapy.com/product-review-klean-kanteen-w-105234>>, 4 color pages, published on Jan. 6, 2010.

GSI Fairshare Collapsible Cup [online], [retrieved Mar. 20, 2018], Retrieved from the Internet, URL: <<https://www.youtube.com/watch?v=GqWiv4k8Ddc>>, 1 color page, published on Jan. 14, 2013.

How to Clean the JOemo Reusable Travel Mug Lid [online], [retrieved Mar. 20, 2018], Retrieved from the Internet, URL: <<https://www.youtube.com/watch?v=O39NGhuQDms>>, 1 color page, published on Sep. 12, 2011.

(56)

References Cited

OTHER PUBLICATIONS

SFS DM400 Photo Tumbler Printing Video [online], [retrieved Mar. 22, 2018], Retrieved from the Internet, URL: <https://www.youtube.com/watch?v=d9Xyb9StdRY>, 1 color page, published on Jul. 1, 2012.

Starbucks Stainless Steel Travel Press—Rose Gold 10 fl oz (011028166) Best Buy Deals | Bestseller [online], [retrieved Mar. 22, 2018], Retrieved from the Internet, URL: <https://www.youtube.com/watch?v=dhoL4ohTOU>, 1 color page, published on Oct. 15, 2014.

Custom Full-Wrap Travel Tumbler—Promotional Tumblers by 4imprint [online], [retrieved Mar. 22, 2018], Retrieved from the Internet, URL: <https://www.youtube.com/watch?v=A8sveo1261s>, 1 color page, published on Nov. 12, 2014.

15 oz Maui Fusion Tumbler—Custom Travel Coffee Tumblers from InkHead.com [online], [retrieved Mar. 22, 2018], Retrieved from the Internet, URL: <https://www.youtube.com/watch?v=MrQAJR6skr8>, 1 color page, published on Apr. 12, 2013.

Thermos Vacuum Insulated 14 oz Travel Tumbler with Lever45;Operated Lid [online], [retrieved Apr. 4, 2018], Retrieved from the Internet, URL: <https://www.amazon.com/Thermos-Insulated-Stainless-Operated-Tumbler/dp/B00JM0KAZO/ref=sr_1_fkmr0_1?ie=UTF8&qid=1522868078&sr=8-1-fkmr0&keywords=thermos+vacuum+insulated+14+oz+travel+tumbler+with+lever+45%3B+operated+lid>, 8 color pages, published date unknown, but for purposes of patent prosecution prior to the filing date of the present application.

Thermos Stainless Steel 14 Ounce Travel Tumbler with 360 Degree Lid [online], [retrieved Apr. 4, 2018], Retrieved from the Internet, URL: <https://www.amazon.com/Thermos-Stainless-Travel-Tumbler-Degree/dp/B00F0MQ4O/ref=sr_1_1?ie=UTF8&qid=1522868265&sr=8-1&keywords=thermos+stainless+steel+14+ounce+travel+tumbler+with+360+degree+lid>, 7 color page, published date unknown, but for purposes of patent prosecution prior to the filing date of the present application.

Maui Fusion Travel Mug—14 oz. [online], [retrieved Apr. 4, 2018], Retrieved from the Internet, URL: <https://www.4imprint.com/product/105878/maui-fusion-travel-mug-14-oz>, 2 color page, published date unknown, but for purposes of patent prosecution prior to the filing date of the present application.

Thermos Funtainer 10 oz Food Jar [online], [retrieved Aug. 6, 2018], Retrieved from the Internet, URL: <https://www.amazon.com/Thermos-Funtainer-Ounce-Food-Blue/dp/B00CBFAE6W?ref=ast_pc_rc>; 10 color page, published Mar. 20, 2013.

Thermos Funtainer 16 oz Food Jar [online], [retrieved Aug. 6, 2018], Retrieved from the Internet, URL: <https://www.amazon.com/Thermos-Funtainer-Ounce-Food-Charcoal/dp/B01ATVK4KK?ref=ast_p_pc_rc&th=1>; 7 color page, published date Jan. 19, 2016.

United States District Court Western District of Texas Austin Division, “Complaint,” *YETI Coolers, LLC v. 99 Cents Only Stores, LLC and 99 Cents Only Stores Texas, Inc.*, Case: 1:18-cv-00799, Document #1, filed Sep. 18, 2018, 102 pages.

Sep. 6, 2018 U.S. Notice of Allowance—U.S. Appl. No. 29/568,933. https://www.amazon.in/Mayur-Exports-Stainless-Coffee-Silver/dp/B01BGNYHKKI/ref=sr_1_8?ie=UTF8&qid=1544130704&sr=8-8&keywords=Mayur+Exports+Stainless, Feb. 2, 2016.

https://www.amazon.in/Hot-Mugs-Lets-Coffee-Multicolour/dp/B005RU7E2A/ref=sr_1_2?ie=UTF8&qid=1544130658&sr=8-2&keywords=hot+mugs+let%27s+coffee+mug, Dec. 20, 2013.

<https://www.turbosquid.com/3d-models/stainless-steel-thermal-mug-3d-model/1102021>, Jan. 20, 2017.

https://www.amazon.in/Aagam-Palak-Double-Walled-Stainless/dp/B00SOIYFWY/ref=sr_1_?ie=UTF8&qid=1544133439&sr=8-1&keywords=Aagam+%26+Palak+Double, Jan. 24, 2015.

http://www.amazon.in/Pigeon-Stainless-Steel-Coffee-Cup/dp/B01LXFSDOY/ref=sr_1_sc_1?ie=UTF8&qid=1544133520&sr=8-1-spell&keywords=Buy+Pigeon+Stainless+Steel+Coffee+Cup+Set+of+4, Oct. 4, 2016.

<https://www.turbosquid.com/3d-models/mug-subdivided-max/692992>, Feb. 21, 2018.

https://www.amazon.com/InGwest-Active-Life-Bamboo-Coffee/dp/B01M8JSU2U/ref=sr_1_fkmrnull_1?keywords=InGwest+Active+Life&qid=1553010206&s=gateway&sr=8-1-fkmrnull (Year: 2016). https://www.amazon.com/dp/B016AX2Z6C/ref=psdc_602608_t2_B014JZM42I (Year: 2015).

Oct. 14, 2019—(CN) Office Action—App. 2019-30222054.6.

United States District Court Western District of Texas Austin Division, “Complaint,” *YETI Coolers, LLC v. Chilly Moose Ltd., and Schomberg Sheet Metal Limited*, Case: 1:19-cv-00834, Document #1, filed Aug. 23, 2019, 197 pages.

Promotional Items, Inc., “Stainless Steel 14oz. Deluxe Coffee Insulated Tumbler Lid”, retrieved from <http://www.promotional-items-inc.com/catalog/stainless_steel_18oz_commuter_coffee_mug_lid.html> on Aug. 27, 2015.

The Product Farm, “BeerNStein Rocks Tumbler Lid—Blue”, retrieved from <<http://store.theproductfarm.com/beerstein-rocks-tumbler-lid-blue/>> on Aug. 27, 2015.

Hit Promotional Products, “24 Oz. Biggie Tumbler with Lid”, retrieved from <<http://www.hitpromo.net/product/show/5853/24-oz-biggie-tumbler-with-lid>> on Aug. 27, 2015.

The Alexon Group, “16 Oz. Stainless Steel Travel Mug with Slide Action Lid and Plastic Inner Liner”, retrieved from <<https://alexongroup.com/16-oz-stainless-steel-travel-mug-with-slide-action-lid-and-plastic-inner-liner>> on Aug. 27, 2015.

“New 16oz Insulated Coffee Travel Mug Stainless Steel Double Wall Thermos Tumbler”, retrieved from <<http://www.ebay.com/itm/New-16oz-Insulated-COFFEE-TRAVEL-MUG-Stainless-Steel-Double-Wall-Thermos-Tumbler-/171416296921>> on Aug. 27, 2015.

“Stainless Steel Travel Mug with Slide Action Lid and Plastic Inner Liner—16oz.”, retrieved from <<http://waterbottles.com/stainless-steel-travel-mug-with-slide-action-lid-and-plastic-inner-liner-16-oz/>> on Aug. 27, 2015.

Vat19, “16 oz. Dual Auto/USB Heated Mug”, retrieved from <<https://www.vat19.com/item/16-oz-dual-auto-usb-heater-coffee-mug>> on Aug. 27, 2015.

Timolino, “Signature Thermal Travel Mug Slide—Tab Lid”, retrieved from <<http://timolino.com/products/signature-thermal-travel-mug-slide-tab-lid>> on Aug. 27, 2015.

Eshine Industrial & Maoyuan International, “400ml Double Wall Stainless Steel Travel Mug with Sliding Drink Lid”, retrieved from <<http://www.chinawaterbottle.com/product/400ml-double-wall-stainless-steel-travel-mug-with-sliding-drink-lid-77-520.html>> on Aug. 27, 2015.

Photo USA Electronic Graphic Inc., “17fl oz Personalised Travel Mug (Plastic Insert and Metal Shell, Reverse Screw)”, retrieved from <<http://www.meikeda.com/stainless-steel-mug/item/15-oz-personalised-travel-mug.html>> on Aug. 27, 2015.

Promo Industrial Co., Limited, “16 Oz. Blue Bullet Travel Mug W/ Handle”, retrieved from <http://www.oempromo.com/Bottle-cup-and-mug/Mugs/index_73.htm> on Aug. 27, 2015.

Gold Bond Inc., “16CT—16 oz Cafe Tumbler”, retrieved from <<http://www.goldbondinc.com/16ct>> on Aug. 27, 2015.

“YETI Rambler 20 and 30 oz”, published on Apr. 19, 2014, retrieved from <https://web.archive.org/web/20140419041951/http://yeticoolers.com/rambler-tumblers/> on Sep. 2, 2015.

Photographic image of YETI 20oz Rambler Tumbler, published date unknown, but prior to the filing date of the present application.

United States District Court Western District of Texas Austin Division, “Plaintiff YETI Coolers, LLC’s Original Complaint,” *YETI Coolers, LLC v. Ontel Products Corporation and World Pack USA, LLC*, Case: 1:17-cv-00091-RP, Document #1, filed Feb. 8, 2017, 65 pages.

United States District Court Western District of Texas Austin Division, “Defendants’ Answers and Defenses to Plaintiff’s Original Complaint,” *YETI Coolers, LLC v. Ontel Products Corporation and World Pack USA, LLC*, Case: 1:17-cv-00091-RP, Document #14, filed Feb. 21, 2017, 45 pages.

United States District Court Western District of Texas Austin Division, “Complaint for Damages and Injunctive Relief,” *YETI Coolers, LLC v. Tree Leaf Marketing, LLC, d/b/a Big Frig*, Case: 1:16-cv-00699-RP, Document #26, filed Apr. 7, 2017, 39 pages.

(56)

References Cited

OTHER PUBLICATIONS

Snow Peak H860, posted by copperbrier at YouTube.com [online], posted on Nov. 13, 2013. Available on the Internet, <URL: <https://youtu.be/rotGiNYY6ms>>.

Snow Peak 450ml, posted by keegansreviews at YouTube.com [online], posted on Jun. 5, 2015. Available on the Internet, <URL: <https://youtu.be/S9dSBijmxsM>>.

"Snow Peak Detail Specs", published earlier than Jan. 6, 2014, retrieved from <<http://global.rakuten.com/en/store/mitsuyoshi/item/tw-137-snowpeak/>> on May 22, 2017.

United States District Court Western District of Texas Austin Division, "Complaint," *YETI Coolers, LLC v. Wadley Holdings, LLC d/b/a Meadowcraft, and Southern Sales & Marketing Group, Inc. d/b/a nICE*, Case 1:17-cv-00421, Document 1, filed May 5, 2017, 121 pages.

United States District Court Western District of Texas Austin Division, "Complaint," *YETI Coolers, LLC v. JDS Industries, Inc., Lionel Laundry Jr., d/b/a Accolades Awards & Engraving, Creating and Fast LLC d/b/a Promotional Products San Antonio, Kelly Scoggins d/b/a King Engraving, Jamey Z. Apps d/b/a Roberts Trophies, and Eagle Media, Inc.*, Case 1:17-cv-00424, Document 1, filed May 5, 2017, 62 pages.

United States District Court Western District of Texas Austin Division, "Complaint," *YETI Coolers, LLC v. Glacier Coolers, LLC, and Tecomate Holdings, LLC*, Case 1:17-cv-00586, Document 1, filed Jun. 15, 2017, 161 pages.

United States District Court Western District of Texas Austin Division, "Complaint," *YETI Coolers, LLC v. Gametime Sidekicks, LLC*, Case 1:17-cv-00413, Document 1, filed May 5, 2017, 107 pages.

United States District Court Western District of Texas Austin Division, "Complaint," *YETI Coolers, LLC v. Kodiak Coolers, LLC and Flexible Automation LLC*, Case 1:17-cv-00422, Document 1, filed May 5, 2017, 51 pages.

United States District Court Western District of Texas Austin Division, "Complaint," *YETI Coolers, LLC v. Gourmet Home Products, LLC*, Case: 1:17-cv-00533, Document #1, filed Jun. 2, 2017, 25 pages.

United States District Court Western District of Texas Austin Division, "Complaint," *YETI Coolers, LLC v. Godinger Silver Art, Ltd., Cathy's Concepts, Inc., Viatek Consumer Products Group, Inc.*, Case: 1:17-cv-00467, Document #1, filed May 16, 2017, 22 pages.

United States District Court Western District of Texas Austin Division, "Complaint," *YETI Coolers, LLC v. Bayou Ice Boxes, Inc.*, Case: 1:17-cv-00261, Document #1, filed Mar. 24, 2017, 41 pages.

United States District Court Western District of Texas Austin Division, "Complaint," *YETI Coolers, LLC v. Vickery Products, LLC d/b/a Axis Cups, f/d/b/a Frio Cups*, Case: 1:17-cv-00260, Document #1, filed Mar. 24, 2017, 52 pages.

United States District Court Western District of Texas Austin Division, "Complaint," *YETI Coolers, LLC v. Benner China and Glassware Florida, Inc.*, Case: 1:16-cv-00142-RP, Document #1, filed Feb. 16, 2016, 21 pages.

United States District Court Western District of Texas Austin Division, "Complaint," *YETI Coolers, LLC v. Blackbird Products Group, LLC, d/b/a Mammoth Coolers*, Case: 1:15-cv-01105, Document #1, filed Dec. 7, 2015, 266 pages.

United States District Court Western District of Texas Austin Division, "Defendant Blackbird Products Group, LLC's Answer and Affirmative Defenses to Plaintiff YETI Coolers, LLC's Complaint," *YETI Coolers, LLC v. Blackbird Products Group, LLC, d/b/a Mammoth Coolers*, Case: 1:15-cv-01105-SS, Document #13, filed Dec. 28, 2015, 11 pages.

United States District Court Western District of Texas Austin Division, "Order," *YETI Coolers, LLC v. Blackbird Products Group, LLC, d/b/a Mammoth Coolers*, Case: 1:15-cv-01105-RP, Document #26, filed Apr. 20, 2016, 1 page.

United States District Court Western District of Texas Austin Division, "Complaint," *YETI Coolers, LLC v. The Boelter Compa-*

nies, Inc., Boelter Brands, LLC and Boelter Beverage, LLC, Case: 1:16-cv-00456, Document #1, filed Apr. 8, 2016, 20 pages.

United States District Court Western District of Texas Austin Division, "Defendants' Answer to Complaint," *YETI Coolers, LLC v. The Boelter Companies, Inc., Boelter Brands, LLC and Boelter Beverage, LLC*, Case: 1:16-cv-00456-RP, Document #21, filed Jun. 7, 2016, 9 pages.

United States District Court Western District of Texas Austin Division, "Consent Judgment," *YETI Coolers, LLC v. The Boelter Companies, Inc., Boelter Brands, LLC and Boelter Beverage, LLC*, Case: 1:16-cv-00456-RP, Document #25, filed Sep. 13, 2016, 3 pages.

United States District Court Western District of Texas Austin Division, "Complaint," *YETI Coolers, LLC v. Jennifer Laverne Bootz Evans d/b/a Bling and Burlap Buy in's and Blanks*, Case: 1:15-cv-00995, Document #1, filed Nov. 2, 2015, 128 pages.

United States District Court Western District of Texas Austin Division, "Order," *YETI Coolers, LLC v. Jennifer Laverne Bootz Evans d/b/a Bling and Burlap Buy In's and Blanks*, Case: 1:15-cv-00995-RP, Document #18, filed Apr. 18, 2016, 1 page.

United States District Court Western District of Texas Austin Division, "Defendant Kaiser Group Inc.'s Answer, Affirmative Defenses, and Counterclaims to Plaintiff YETI Coolers, LLC's Complaint," *YETI Coolers, LLC v. Kaiser Group Inc., d/b/a Thermo Steel, d/b/a Vino2Go, d/b/a Brew2GO*, Case: 1:15-cv-00725-RP, Document #14, filed Oct. 13, 2015, 65 pages.

United States District Court Western District of Texas Austin Division, "Complaint," *YETI Coolers, LLC v. Great American Products, Ltd.*, Case: 1:15-cv-00686, Document #1, filed Aug. 6, 2015, 20 pages.

United States District Court Western District of Texas Austin Division, "Order," *YETI Coolers, LLC v. Great American Products, Ltd.*, Case: 1:15-cv-00686-RP, Document #25, filed Mar. 14, 2016, 1 page.

United States District Court Western District of Texas Austin Division, "Complaint," *YETI Coolers, LLC v. Home Depot U.S.A., Inc.*, Takeya USA Corporation, Case: 1:17-cv-00342, Document #1, filed Apr. 12, 2017, 24 pages.

United States District Court Western District of Texas Austin Division, "Complaint," *YETI Coolers, LLC v. Ideastage Promotions, LLC, d/b/a Swag Brokers*, Case: 1:15-cv-00774, Document #1, filed Sep. 2, 2015, 22 pages.

United States District Court Western District of Texas Austin Division, "Order," *YETI Coolers, LLC v. Ideastage Promotions, LLC, d/b/a Swag Brokers*, Case: 1:15-cv-00774-RP, Document #19, filed Dec. 21, 2015, 1 page.

United States District Court Western District of Texas Austin Division, "Complaint," *YETI Coolers, LLC v. Imagen Brands, LLC, d/b/a Crown Products, and Ebsco Industries, Inc.*, Case: 1:16-cv-00578-RP, Document #1, filed May 16, 2016, 20 pages.

United States District Court Western District of Texas Austin Division, "Complaint," *YETI Coolers, LLC v. Kaiser Group Inc., d/b/a Thermo Steel, d/b/a Vino2GO, d/b/a Brew2Go*, Case: 1:15-cv-00725, Document #1, filed Aug. 19, 2015, 21 pages.

United States District Court Western District of Texas Austin Division, "Complaint," *YETI Coolers, LLC v. Kuer Outdoors, LLC*, Case: 1:16-cv-00631, Document #1, filed May 27, 2016, 89 pages.

United States District Court Western District of Texas Austin Division, "Complaint," *YETI Coolers, LLC v. Magnum Solace LLC*, Case: 1:16-cv-00663-RP, Document #1, filed Jun. 7, 2016, 24 pages.

United States District Court Western District of Texas Austin Division, "Defendant's Rule 12(B)(6) Motion to Dismiss For Failure to State a Claim," *YETI Coolers, LLC v. Magnum Solace LLC*, Case: 1:16-cv-00663-RP, Document #10, filed Aug. 5, 2016, 30 pages.

United States District Court Western District of Texas Austin Division, "Defendant's Answer," *YETI Coolers, LLC v. Magnum Solace LLC*, Case: 1:16-cv-00663-RP, Document #34, filed Apr. 13, 2017, 7 pages.

"Hooler the handheld cooler", published on Apr. 12, 2014, retrieved from <https://web.archive.org/web/20140412062054/http://www.hoolercooler.com/> on Aug. 4, 2015.

(56)

References Cited

OTHER PUBLICATIONS

United States District Court Western District of Texas Austin Division, “Complaint for Damages and Injunctive Relief,” *YETI Coolers, LLC v. Jennifer Leverne Bootz Evans d/b/a Bling and Burlap Buy In’s and Blanks*, Case: 1:15-cv-00995, Document #1, filed Nov. 2, 2015, 128 pages.

United States District Court Western District of Texas Austin Division, “Order Dismissing Case,” *YETI Coolers, LLC v. Jennifer Leverne Bootz Evans d/b/a Bling and Burlap Buy In’s and Blanks*, Case: 1:15-cv-00995-RP, Document #18, filed Apr. 18, 2016, 1 page.

United States District Court Western District of Texas Austin Division, “Complaint for Damages and Injunctive Relief,” *YETI Coolers, LLC v. RTIC Coolers, LLC*, Case: 1:16-cv-00264, Document #1, filed Mar. 2, 2016, 34 pages.

United States District Court Western District of Texas Austin Division, “Defendants’ Answer and Counterclaims to YETI’s First Amended Complaint for Damages and Injunctive Relief,” *YETI Coolers, LLC v. RTIC Coolers, LLC, RTIC Drinkware, LLC, RTIC Web Services, LLC, Corporate Support & Fulfillment, LLC, John Jacobsen, and James Jacobsen*, Case: 1:16-cv-00264-RP, Document #25, filed Jun. 13, 2016, 42 pages.

United States District Court Western District of Texas Austin Division, “YETI Coolers, LLC’s First Amended Complaint,” *YETI Coolers, LLC v. RTIC Coolers, LLC, RTIC Drinkware, LLC, RTIC Web Services, LLC, Corporate Support & Fulfillment, LLC, John Jacobsen, and James Jacobsen*, Case: 1:16-cv-00264-RP, Document #15, filed May 16, 2016, 110 pages.

United States District Court Western District of Texas Austin Division, “Complaint for Damages and Injunctive Relief,” *YETI Coolers, LLC v. Tree Leaf Marketing, LLC, d/b/a Big Frig*, Case: 1:16-cv-00699, Document #1, filed Jun. 17, 2016, 33 pages.

United States District Court Western District of Texas Austin Division, “Complaint for Damages and Injunctive Relief,” *YETI Coolers, LLC v. Wal-Mart Stores, Inc.*, Case: 1:16-cv-00454, Document #1, filed Apr. 8, 2016, 29 pages.

United States District Court Western District of Texas Austin Division, “Joint Rule 26(f) Report and Discovery Plan,” *YETI Coolers, LLC v. Wal-Mart Stores, Inc. and Olympia Tools International, Inc.*, Case: 1:16-cv-00454-RP, Document #29, filed Jul. 28, 2016, 8 pages.

United States District Court Western District of Texas Austin Division, “Olympia Tools International, Inc.’s Answer to YETI Coolers, LLC’s First Amended Complaint,” *YETI Coolers, LLC v. Wal-Mart Stores, Inc. and Olympia Tools International, Inc.*, Case: 1:16-cv-00454-RP, Document #28, filed Jul. 14, 2016, 12 pages.

United States District Court Western District of Texas Austin Division, “Wal-Mart Stores, Inc.’s Answer to First Amended Complaint,” *YETI Coolers, LLC v. Wal-Mart Stores, Inc. and Olympia Tools International, Inc.*, Case: 1:16-cv-00454-RP, Document #22, filed Jun. 7, 2016, 13 pages.

United States District Court Western District of Texas Austin Division, “First Amended Complaint for Damages and Injunctive Relief,” *YETI Coolers, LLC v. Wal-Mart Stores, Inc. and Olympia Tools International, Inc.*, Case: 1:16-cv-00454-RP, Document #17, filed May 24, 2016, 26 pages.

“Siskiyou Sports CCS48F Oklahoma Sooners Flame Can Cooler”, published on Jul. 9, 2014, retrieved from <<http://www.sears.com/siskiyou-sports-ccs48f-oklahoma-sooners-flame-can-cooler/p-SPM7376348303>> on Sep. 16, 2016.

“Mini Keg Coozies! Beer Inside Kegs!”, published by Chad Dukes on Dec. 18, 2013, retrieved from <<http://beerandpig.com/category/beer/page/2/>> on Sep. 16, 2016.

“Stainless Steel Can Cooler”, published on Apr. 6, 2014, retrieved from <<http://www.belpromo.com/nd/detail.php?a=34&p=KZSS001&s=mvp23g56>> on Sep. 22, 2016.

“Stanley Vacuum Insulated Container—Thermos bottle”, published on Feb. 24, 2012, retrieved from <<https://www.youtube.com/watch?v=UCMjqZiNU3o>> on Sep. 23, 2016.

United States District Court Western District of Texas Austin Division, “Complaint for Damages and Injunctive Relief,” *YETI Coolers, LLC v. Magnum Solace LLC*, Case: 1:16-cv-00663-RP, Document #1, filed Jun. 7, 2016, 24 pages.

United States District Court Western District of Texas Austin Division, “Joint Rule 26(f) Report and Discovery Plan,” *YETI Coolers, LLC v. RTIC Coolers, LLC, RTIC Drinkware, LLC, RTIC Web Services, LLC, Corporate Support & Fulfillment, LLC, John Jacobsen, and James Jacobsen*, Case: 1:16-cv-00264-RP, Document #26, filed Jun. 23, 2016, 1 pages.

United States District Court Western District of Texas Austin Division, “Defendant’s Rule 12(B)(6) Motion to Dismiss,” *YETI Coolers, LLC v. Magnum Solace LLC*, Case: 1:16-cv-00663-RP, Document #10, filed Aug. 5, 2016, 30 pages.

United States District Court Western District of Texas Austin Division, “YETI’s Opposition to Defendant’s Motion to Dismiss,” *YETI Coolers, LLC v. Magnum Solace LLC*, Case: 1:16-cv-00663-RP, Document #12, filed Aug. 19, 2016, 47 pages.

United States District Court Western District of Texas Austin Division, “Complaint for Damages and Injunctive Relief,” *YETI Coolers, LLC v. MyCrew, LLC, MyCrew Drinkware, LLC, and NNRiverLife, LLC*, Case: 1:16-cv-01008, Document #1, filed Aug. 26, 2016, 29 pages.

United States District Court Western District of Texas Austin Division, “Defendant’s Reply in Support of its Rule 12(B) (6) Motion to Dismiss,” *YETI Coolers, LLC v. Magnum Solace LLC*, Case: 1:16-cv-00663-RP, Document #13, filed Aug. 29, 2016, 18 pages.

United States District Court Western District of Texas Austin Division, “YETI’s Supplemental Brief in Opposition to Magnum’s Motion to Dismiss,” *YETI Coolers, LLC v. Magnum Solace LLC*, Case: 1:16-cv-00663-RP, Document #16, filed Sep. 27, 2016, 7 pages.

United States District Court Western District of Texas Austin Division, “Defendant’s Opposed Motion for a Protective Order and Stay of Discovery,” *YETI Coolers, LLC v. Magnum Solace LLC*, Case: 1:16-cv-00663-RP, Document #17, filed Oct. 3, 2016, 47 pages.

United States District Court Western District of Texas Austin Division, “Yeti’s Opposition to Magnum’s Motion for a Protective Order and Stay of Discovery,” *YETI Coolers, LLC v. Magnum Solace LLC*, Case: 1:16-cv-00663-RP, Document #20, filed Oct. 11, 2016, 16 pages.

United States District Court Western District of Texas Austin Division, “Defendant’s Reply in Support of its Motion for a Protective Order and Stay of Discovery,” *YETI Coolers, LLC v. Magnum Solace LLC*, Case: 1:16-cv-00663-RP, Document #22, filed Oct. 18, 2016, 5 pages.

JPO Prior art Reference No. HJ20071600.

English translation of Office Action issued on Oct. 18, 2016 for JP Application No. 2016-004372, 3 pages.

English translation of Office Action issued on Oct. 18, 2016 for JP Application No. 2016-004373, 3 pages.

United States District Court Western District of Texas Austin Division, “Defendants’ Motion to Dismiss Pursuant to Rule 12(b)(6),” *YETI Coolers, LLC v. Imagen Brands, LLC, d/b/a Crown Products, and Ebsco Industries, Inc.*, Case: 1:16-cv-00578-RP, Document #8, filed Oct. 4, 2016, 27 pages.

United States District Court Western District of Texas Austin Division, “Answer,” *YETI Coolers, LLC v. Tree Leaf Marketing, LLC, d/b/a Big Frig*, Case: 1:16-cv-00699, Document #11, filed Oct. 21, 2016, 8 pages.

“YETI Press Release—Rambler Lowball”, published on Jul. 15, 2015, retrieved from <<http://yeti.com/press-releases/yeti-coolers-unveils-new-rambler-lowball>> on Mar. 14, 2017.

“Bekith Kids Water Mugs Stainless Steel Drinking Cups Double Wall Food Grade Durable Safe—Set of 2”, published date unknown but at least as early as Mar. 14, 2017, retrieved from <https://www.amazon.com/Bekith-Stainless-Drinking-Double-Durable/dp/B019JNKG7A/ref=pd_sim_79_5?_encoding=UTF8&psc=1&refRID=ZP054HJK7VYT6T39DSYN> on Mar. 14, 2017.

(56)

References Cited

OTHER PUBLICATIONS

“Camp Cup”, published date unknown but at least as early as Mar. 13, 2017, retrieved from <<https://www.miir.com/collections/camp/products/campcup>> on Mar. 13, 2017.

“Chinook Timberline Double-wall 12.5 Ounces Mug”, published date unknown but at least as early as Mar. 14, 2017, retrieved from <https://www.amazon.com/Chinook-Timberline-Double-wall-12-5-Ounces/dp/B00261CO8U/ref=pd_sim_79_3?encoding=UTF8&psc=1&refRID=C586FMMXYCY44F2AZCJB> on Mar. 14, 2017.

“Double Wall Copper Coffee Mug”, published date unknown but at least as early as Mar. 14, 2017, retrieved from <http://www.williamssonoma.com/products/1614242/?catalogId=27&sku=1614242&cm_ven=Google_PLA&cm_cat=Shopping&cm_pla=default&cm_ite=default&kwid=productads-adid%5E45527543503-device%5Ecplaid%5E83089551703-sku%5E1614242-adType%5EPLA&gclid=CIGFx4v9g9ECFYeEsw> on Mar. 14, 2017.

“Double Wall Stainless Steel Beer Mug”, published date unknown but at least as early as Mar. 14, 2017, retrieved from <<https://www.vat19.com/item/stainless-steel-beer-mug>> on Mar. 14, 2017.

“Woodcraft 15oz Shop Mug Insulated Stainless Steel”, published date unknown but at least as early as Mar. 14, 2017, retrieved from <https://www.amazon.com/Woodcraft-15oz-Insulated-Stainless-Steel/dp/B004TQGH0S/ref=pd_sim_79_3?encoding=UTF8&psc=1&refRID=EYMWNJTCKACXEY8YGJMJ> on Mar. 14, 2017.

“YETI Press Release—Rambler Colster”, published on Jan. 8, 2015, retrieved from <<http://yeti.com/press-releases/rambler-colster>> on Mar. 27, 2017.

Alexander, Emmet, “Removable Bicycle Cup Holder by Bookman”, posted Mar. 23, 2014 online, retrieved May 6, 2016 from Internet, URL: <http://coolmensegear.com/removable-bicycle-cup-holder/>.

“Meyers California Rainbow Mug With Removable Wood Metal Handle”, retrieved from Internet on Jun. 6, 2016; URL: <https://www.pinterest.com/pin/148618856430252325/>.

“Tervis Tumbler Black 24 Oz. Handle”, retrieved from Internet Jun. 6, 2016; URL: <http://www.amazon.com/Tervis-Tumbler-Black-24oz-Handle/dp/B004VVHORG>.

Purdum, Sandra, “Mug or Tumbler Metal Handles Spare Parts”, retrieved from Internet Jun. 6, 2016; URL: https://www.etsy.com/...r-tumbler-metalhandles-spare-parts?ga_order=most_relevant&ga_search_type=all&ga_view_type=gallery&ga_search_query=metal%20handled%20mugs&ref=sr_gallery_8.

“Red Removable Handle 16-Oz. Travel Tumbler”, retrieved from Internet Jun. 6, 2016, URL: <http://www.zulily.com/p/red-removable-handle-16-oz-travel-tumbler-120715-7353259.html>.

Pictures of Great American Products Tumbler, published date unknown, but prior to the filing date of the present application.

Photographic image of YETI 30oz Rambler Tumbler, published date unknown, but prior to the filing date of the present application.

Second photographic image of YETI 30oz Rambler Tumbler, published date unknown, but prior to the filing date of the present application.

http://www.amazon.in/Mayur-Exports-Stainless-Coffee-Silver/dp/B01BGNYHKKI/ref=sr_1_8?ie=UTF8&qid=1544130704&sr=8-8&keywords=Mayur+Exports+Stainless (Year: 2016).

United States District Court Western District of Texas Austin Division, “Defendant’s Answer to Plaintiff’s Complaint and Affirmative Defenses,” *YETI Coolers, LLC v. MyCrew, LLC, MyCrew Drinkware, LLC and NNRiverLife, LLC*, Case: 1:16-cv-01008-RP, Document #14, filed Nov. 29, 2016, 12 pages.

United States District Court Western District of Texas Austin Division, “Complaint,” *YETI Coolers, LLC v. MyCrew, LLC, MyCrew Drinkware, LLC and NNRiverLife, LLC*, Case: 1:16-cv-01008, Document #1, filed Aug. 26, 2016, 29 pages.

United States District Court Western District of Texas Austin Division, “RTIC Drinkware’s First Amended Complaint for Declaratory Judgment,” *RTIC Drinkware, LLC v. Yeti Coolers, LLC*, Case: 1:16-cv-00907-RP, Document #52, filed Nov. 14, 2016, 124 pages.

United States District Court Western District of Texas Austin Division, “YETI Coolers, LLC’s Answer to RTIC Drinkware’s First

Amended Complaint,” *RTIC Drinkware, LLC v. YETI Coolers, LLC*, Case: 1:16-cv-00907-RP, Document #58, filed Dec. 1, 2016, 15 pages.

United States District Court Western District of Texas Austin Division, “YETI Coolers, LLC’s Answer to RTIC Drinkware LLC’s Complaint,” *RTIC Drinkware, LLC v. YETI Coolers, LLC*, Case: 1:16-cv-00907-RP, Document #35, filed Aug. 9, 2016, 27 pages.

United States District Court for the Southern District of Texas Houston Division, “RTIC Drinkware’s Original Complaint or Declaratory Judgment, Damages, and Injunctive Relief,” *RTIC Drinkware, LLC v. YETI Coolers, LLC*, Case: 4:16-cv-01201, Document #1, filed May 2, 2016, 58 pages.

United States District Court Western District of Texas Austin Division, “Order,” *RTIC Drinkware, LLC v. YETI Coolers, LLC*, Case: 1:16-cv-00907-RP, Document #47, filed Oct. 13, 2016, 3 pages.

United States District Court Western District of Texas Austin Division, “Defendant RTIC Drinkware, LLC, RTIC Web Services, LLC, Corporate Support & Fulfillment, LLC, John Jacobsen, and James Jacobsen’s Answer and counterclaims to YETI’s First Amended Complaint for Damages and Injunctive Relief,” *YETI Coolers, LLC v. RTIC Coolers, LLC, RTIC Drinkware, LLC, RTIC Web Services, LLC, Corporate Support & Fulfillment, LLC; John Jacobsen; and James Jacobsen*, Case: 1:16-cv-00264-RP, Document #25, filed Jun. 13, 2016, 42 pages.

United States District Court Western District of Texas Austin Division, “Complaint,” *YETI Coolers, LLC v. RTIC Coolers, LLC*, Case: 1:16-cv-00264, Document #1, filed Mar. 2, 2016, 34 pages.

United States District Court Western District of Texas Austin Division, “YETI Coolers, LLC’s Answer to RTIC Drinkware, LLC’s, RTIC Web Services, LLC’s, Corporate Support & Fulfillment, LLC’s, John Jacobsen’s, and James Jacobsen’s Counterclaims,” *YETI Coolers, LLC v. RTIC Coolers, LLC, RTIC Drinkware, LLC, Rtic Web Services, LLC, Corporate Support & Fulfillment, LLC, John Jacobsen, and James Jacobsen*, Case: 1:16-cv-00264-RP, Document #31, filed Jul. 7, 2016, 7 pages.

United States District Court Western District of Texas Austin Division, “First Amended Complaint,” *YETI Coolers, LLC v. Sam’s West, Inc., and Sam’s East, Inc.*, Case: 1:16-cv-00829-RP, Document #32, filed Jan. 9, 2017, 24 pages.

United States District Court Western District of Texas Austin Division, “Defendants Sam’s West, Inc. and Sam’s East, Inc.’s Answer to Complaint,” *YETI Coolers, LLC v. Sam’s West, Inc., and Sam’s East, Inc.*, Case: 1:16-cv-00829-RP, Document #16, filed Aug. 26, 2016, 11 pages.

United States District Court Western District of Texas Austin Division, “Complaint,” *YETI Coolers, LLC v. Sam’s West, Inc., and Sam’s East, Inc.*, Case: 1:16-cv-00829, Document #1, Jun. 30, 2016, 21 pages.

United States District Court Western District of Texas Austin Division, “First Amended Complaint,” *YETI Coolers, LLC v. Sic Products LLC, d/b/a Sic Cups, d/b/a Sic*, Case: 1:16-cv-00117-RP, Document #34, Nov. 21, 2016, 25 pages.

United States District Court Western District of Texas Austin Division, “Sic Products, LLC’s Answer, Affirmative Defenses, and Counterclaims to Plaintiff’s Amended Complaint,” *YETI Coolers, LLC v. Sic Products LLC, d/b/a Sic Cups, d/b/a Sic*, Case: 1:16-cv-00117-RP, Document #35, Dec. 5, 2016, 81 pages.

United States District Court Western District of Texas Austin Division, “Sic Products, LLC’s Answer, Affirmative Defenses, and Counterclaims to Plaintiff’s Complaint,” *YETI Coolers, LLC v. Sic Products LLC, d/b/a Sic Cups, d/b/a Sic*, Case: 1:16-cv-00117-RP, Document #14, Jun. 3, 2016, 38 pages.

United States District Court Western District of Texas Austin Division, “Complaint,” *YETI Coolers, LLC v. Sic Products LLC, d/b/a Sic Cups, d/b/a Sic*, Case: 1:16-cv-00117-RP, Document #1, Feb. 4, 2016, 23 pages.

United States District Court Western District of Texas Austin Division, “YETI Coolers, LLC’s Answer to Sic Products, LLC Counterclaims,” *YETI Coolers, LLC v. Sic Products LLC, d/b/a Sic Cups, d/b/a Sic*, Case: 1:16-cv-00117-RP, Document #21, Sep. 29, 2016, 15 pages.

(56)

References Cited

OTHER PUBLICATIONS

United States District Court Western District of Texas Austin Division, "YETI Coolers, LLC's Answer to Sic Products, LLC Counterclaims to YETI Coolers, LLC's Amended Complaint," *YETI Coolers, LLC v. Sic Products LLC, d/b/a Sic Cups, d/b/a Sic*, Case: 1:16-cv-00117-RP, Document #38, Dec. 19, 2016, 20 pages.

United States District Court Western District of Texas Austin Division, "Complaint," *YETI Coolers, LLC v. The Allen Company, d/b/a Allen Color Craft*, Case: 1:15-cv-00888-RP, Document #1, Oct. 6, 2015, 24 pages.

United States District Court Western District of Texas Austin Division, "Complaint," *YETI Coolers, LLC v. Titan Custom Products, Inc.*, Case: 1:15-cv-00775, Document #1, Sep. 2, 2015, 22 pages.

United States District Court Western District of Texas Austin Division, "Answer," *YETI Coolers, LLC v. Tree Leaf Marketing, LLC d/b/a Big Frig*, Case: 1:16-cv-00699-RP, Document #11, Oct. 21, 2016, 8 pages.

United States District Court Western District of Texas Austin Division, "Complaint," *YETI Coolers, LLC v. Tree Leaf Marketing, LLC d/b/a Big Frig*, Case: 1:16-cv-00699, Document #1, Jun. 17, 2016, 33 pages.

United States District Court Western District of Texas Austin Division, "Complaint," *YETI Coolers, LLC v. US Imprints, LLC, d/b/a GOimprints*, Case: 1:15-cv-00773, Document #1, Sep. 2, 2015, 22 pages.

United States District Court Western District of Texas Austin Division, "Order," *YETI Coolers, LLC v. US Imprints, LLC, d/b/a GOimprints*, Case: 1:15-cv-00773-RP, Document #23, Apr. 25, 2016, 1 page.

United States District Court Western District of Texas Austin Division, "Veterinary Internet Company, LLC d/b/a VetInternetCo's Answer to Plaintiff's Complaint," *YETI Coolers, LLC v. Polar Pad LLC, d/b/a Polar Drifter, d/b/a Polar Pad, and Veterinary Internet Company, LLC, d/b/a VetInternetCo*, Case: 1:16-cv-00677-RP, Document #11, Aug. 19, 2016, 12 pages.

United States District Court Western District of Texas Austin Division, "Complaint," *YETI Coolers, LLC v. Polar Pad LLC, d/b/a Polar Pad Drifter, d/b/a Polar Pad, and Veterinary Internet Company, LLC, d/b/a VetInternetCo*, Case: 1:16-cv-00128, Document #1, Feb. 12, 2016, 24 pages.

United States District Court Western District of Texas Austin Division, "Complaint," *YETI Coolers, LLC v. Polar Pad LLC, d/b/a Polar Pad Drifter, d/b/a Polar Pad, and Veterinary Internet Company, LLC, d/b/a VetInternetCo*, Case: 1:16-cv-00677, Document #1, Jun. 10, 2016, 25 pages.

United States District Court Western District of Texas Austin Division, "Order," *YETI Coolers, LLC v. Polar Pad LLC, d/b/a Polar Pad Drifter, d/b/a Polar Pad, and Veterinary Internet Company, LLC, d/b/a VetInternetCo*, Case: 1:16-cv-00128-RP, Document #17, Jun. 17, 2016, 1 page.

United States District Court Western District of Texas Austin Division, "[Proposed] Order Granting Stipulated Motion to Dismiss Defendant Polar Pad, LLC, Without Prejudice, Pursuant to Fed. R. Civ. P. 21," *YETI Coolers, LLC v. Polar ad LLC, d/b/a Polar Pad Drifter, d/b/a Polar Pad, and Veterinary Internet Company, LLC, d/b/a VetInternetCo*, Case: 1:16-cv-00677-RP, Document #14, Sep. 15, 2016, 1 page.

United States District Court Western District of Texas Austin Division, "Complaint," *YETI Coolers, LLC v. Vickery Products, LLC d/b/a Axis Cups, f/d/b/a Frio Cups*, Case: 1:17-cv-00260, Document #1, Mar. 24, 2017, 52 pages.

United States District Court Western District of Texas Austin Division, "First Amended Complaint," *YETI Coolers, LLC v. Wal-Mart Stores, Inc. and Olympia Tools International, Inc.*, Case: 1:16-cv-00454-RP, Document #17, May 24, 2016, 26 pages.

United States District Court Western District of Texas Austin Division, "Complaint," *YETI Coolers, LLC v. Wal-Mart Stores, Inc.*, Case: 1:16-cv-00454, Document #1, Apr. 8, 2016, 29 pages.

United States District Court Western District of Texas Austin Division, "Olympia Tools International, Inc.'s Answer to YETI Coolers, LLC's First Amended Complaint," *YETI Coolers, LLC v. Wal-Mart Stores, Inc. and Olympia Tools International, Inc.*, Case: 1:16-cv-00454-RP, Document #28, Jul. 14, 2016, 12 pages.

United States District Court Western District of Texas Austin Division, "Wal-Mart Stores, Inc.'s Answer to First Amended Complaint," *YETI Coolers, LLC v. Wal-Mart Stores, Inc. and Olympia Tools International, Inc.*, Case: 1:16-cv-00454-RP, Document #22, Jun. 7, 2016, 13 pages.

United States District Court Western District of Texas Austin Division, "Plaintiffs' Complaint for Damages and Injunctive Relief," *YETI Coolers, LLC v. Seth Stevens d/b/a SDS Marketing d/b/a Eskimo Coolers, Panther Group LLC d/b/a Eskimo Coolers, Panther Group Sales, LLC d/b/a Eskimo Coolers, and Silver Fox Sales, LLC*, Case 1:17-cv-00423, Document 1, filed May 5, 2017, 77 pages.

United States District Court Western District of Texas Austin Division, "Second Amended Complaint," *YETI Coolers, LLC v. Sam's West, Inc., and Sam's East, Inc., and CY Top, Ltd.*, Case: 1:16-cv-00829-RP, Document #51, filed Sep. 22, 2017, 49 pages.

United States District Court Western District of Texas Austin Division, "Complaint," *YETI Coolers, LLC v. Bonanza.com, Inc.*, Case: 1:17-cv-00935, Document #1, filed Sep. 28, 2017, 142 pages.

United States District Court Western District of Texas Austin Division, "Complaint," *YETI Coolers, LLC v. Alibaba Group Holding Limited, Alibaba (China) Technology Co., Ltd., Alibaba.com Hong Kong Limited, Alibaba.com Singapore E-Commerce Private Limited, Hangzhou Alibaba Advertising Co. Ltd., and Huizhou Dashu Trading Co., Ltd.*, Case: 1:17-cv-00936, Document #1, filed Sep. 28, 2017, 272 pages.

United States District Court Western District of Texas Austin Division, "Complaint," *YETI Coolers, LLC v. ContextLogic, Inc. d/b/a Wish.com*, Case: 1:17-cv-00937, Document #1, filed Sep. 28, 2017, 238 pages.

United States District Court Western District of Texas Austin Division, "Complaint," *YETI Coolers, LLC v. Dunhuang Group, SZ Flowerfairy Technology Co., Ltd., Tan Er Pa Technology Co., Ltd., Shenzhen Great Electronic Technology Co., Ltd., and Huagong Trading Co.*, Case: 1:17-cv-00938, Document #1, filed Sep. 28, 2017, 272 pages.

United States District Court Western District of Texas Austin Division, "Defendant Kelly Scoggins d/b/a King Engraving's Memorandum in Support of Rule 12(b)(6) Motion to Dismiss and Motion to Take Judicial Notice," *YETI Coolers, LLC v. JDS Industries, Inc., Lionel Landry Jr., d/b/a Accolades d/b/a Accolades Awards & Engraving, Creative and Fast LLC d/b/a Promotional Products San Antonio, Kelly Scoggins d/b/a King Engraving*, Case: 1:17-cv-00424-RP, Document #65, filed Aug. 11, 2017, 28 pages.

United States District Court Western District of Texas Austin Division, "Defendant Kelly Scoggins d/b/a King Engraving's Reply in Support of Rule 12(b)(6) Motion to Dismiss," *YETI Coolers, LLC v. JDS Industries, Inc., Lionel Landry Jr., d/b/a Accolades d/b/a Accolades Awards & Engraving, Creative and Fast LLC d/b/a Promotional Products San Antonio, Kelly Scoggins d/b/a King Engraving*, Case: 1:17-cv-00424-RP, Document #75, filed Sep. 1, 2017, 26 pages.

United States District Court Western District of Texas Austin Division, "Complaint," *YETI Coolers, LLC v. Wal-Mart Stores, Inc.*, Case: 1:17-cv-01145, Document #1, filed Dec. 8, 2017, 98 pages.

United States International Trade Commission, "Respondents Alibaba, Dunhuang Group, and Bonanza.com's Notice of Prior Art," In the Matter of: Certain Insulated Beverage Containers, Components, Labels, and Packaging Materials Thereof, Inv. No. 337-TA-1084, filed Feb. 9, 2018, 8 pages.

United States International Trade Commission, "Respondent Contextlogic, Inc.'s Notice of Prior Art," In the Matter of: Certain Insulated Beverage Containers, Components, Labels, and Packaging Materials Thereof, Inv. No. 337-TA-1084, filed Feb. 9, 2018, 15 pages.

United States International Trade Commission, "The Commission Investigative Staff's Notice of Prior Art" in the Matter of: Certain

(56)

References Cited

OTHER PUBLICATIONS

Insulated Beverage Containers, Components, Labels, and Packaging Materials Thereof, Inv. No. 337-TA-1084, filed Feb. 9, 2018, 4 pages.

YETI Rambler Colster Beverage Holder [online], [retrieved Feb. 1, 2018] Retrieved from the Internet, URL: <<https://kevinscatalog.com/yeti-colster-beverage-holder-44/1064>>, 4 color pages, published date unknown, but for purposes of patent prosecution prior to the filing date of the present application.

Firm Grip: The 15 Coolest Beer Koozies [online], [retrieved Mar. 16, 2018], Retrieved from the Internet, URL: <<http://hiconsumption.com/2014/01/firm-grip-the-15-coolest-beer-koozies/>>, 10 color pages, published date unknown, but for purposes of patent prosecution prior to the filing date of the present application.

https://www.amazon.com/Culver-18-Ounce-Campfire-Ceramic-White/dp/B07CNVWPKK/ref=sr_1_fkmr0_%201?keywords=Culver+18-Ounce+Tail+Campfire+Ceramic+Mug+Set+of+4+%28White%29%3A+Kitchen+%26+Dining&qid=1578077705&sr=8-1-fkmr0 Culver Apr. 2018 (Year: 2018).

United States District Court Western District of Texas, Austin Division, "Complaint," *YETI Coolers, LLC v. V-Rose Enterprise, LLC d/b/a Calavera Coolers*, Case 1:20-cv-00086, Document 1, filed Jan. 23, 2020, 40 pages.

United States International Trade Commission of Washington, DC, "Complaint Under Section 337 of the Tariff Act of 1930, as Amended," *YETI Coolers, LLC vs. Alibaba (China) Technology*

Co., Alibaba Group Holding Ltd, Alibaba.com Hong Kong Ltd, Alibaba.com Singapore E-Commerce Private Ltd, Bonanza.com, Inc., ContextLogic, Inc. d/b/a Wish, Dunhuang Group, Hangzhou Alibaba Advertising Co. Ltd., Huizhou Alibaba Advertising Co. Ltd., Huizhou Dashu Trading Co., Ltd, Huagong Trading Co., and Tan Er Pa Technology Co., Ltd., filed Sep. 28, 2017, 191 pages.

Insulated Coffee Mug With Lid and Handle, 12 oz Double Wall Vacuum Sealed Camp Cup [online], URL: <<

RTIC Double Wall Vacuum Insulated 12oz Coffee Cup [online], URL: <<

Coffee Mug—Stainless Steel Double Wall Insulated Tumbler With lids [online], URL: <<

Hot or Cold—12 oz Double Wall Stainless Steel, Copper Vacuum Insulated Camp Travel Mug with Lid [online], URL: <<

YETI Ramble 14 oz Stainless Steel Vacuum Insulated Mug with Lid [online], URL: <<

* cited by examiner

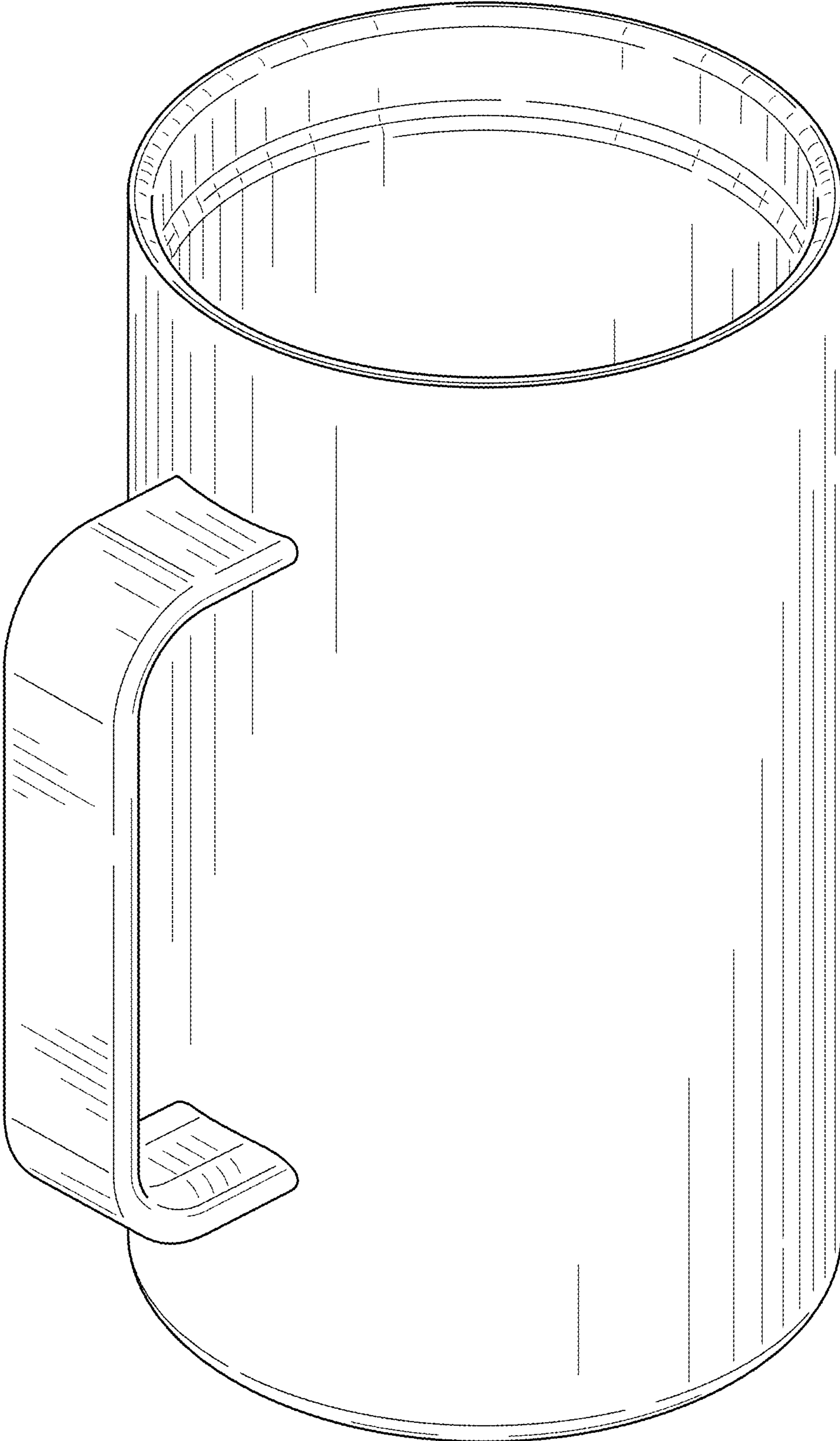


FIG. 1

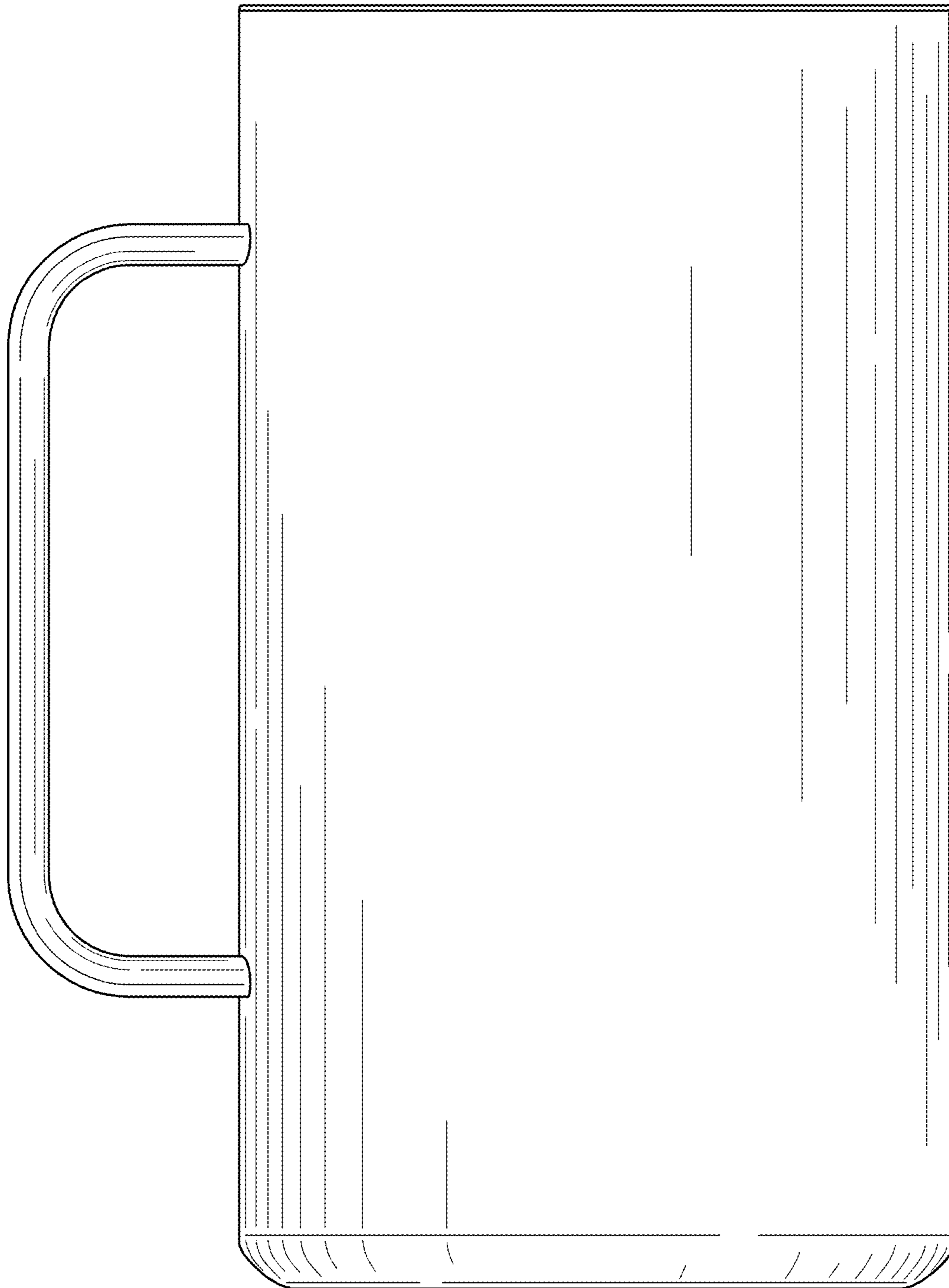


FIG. 2

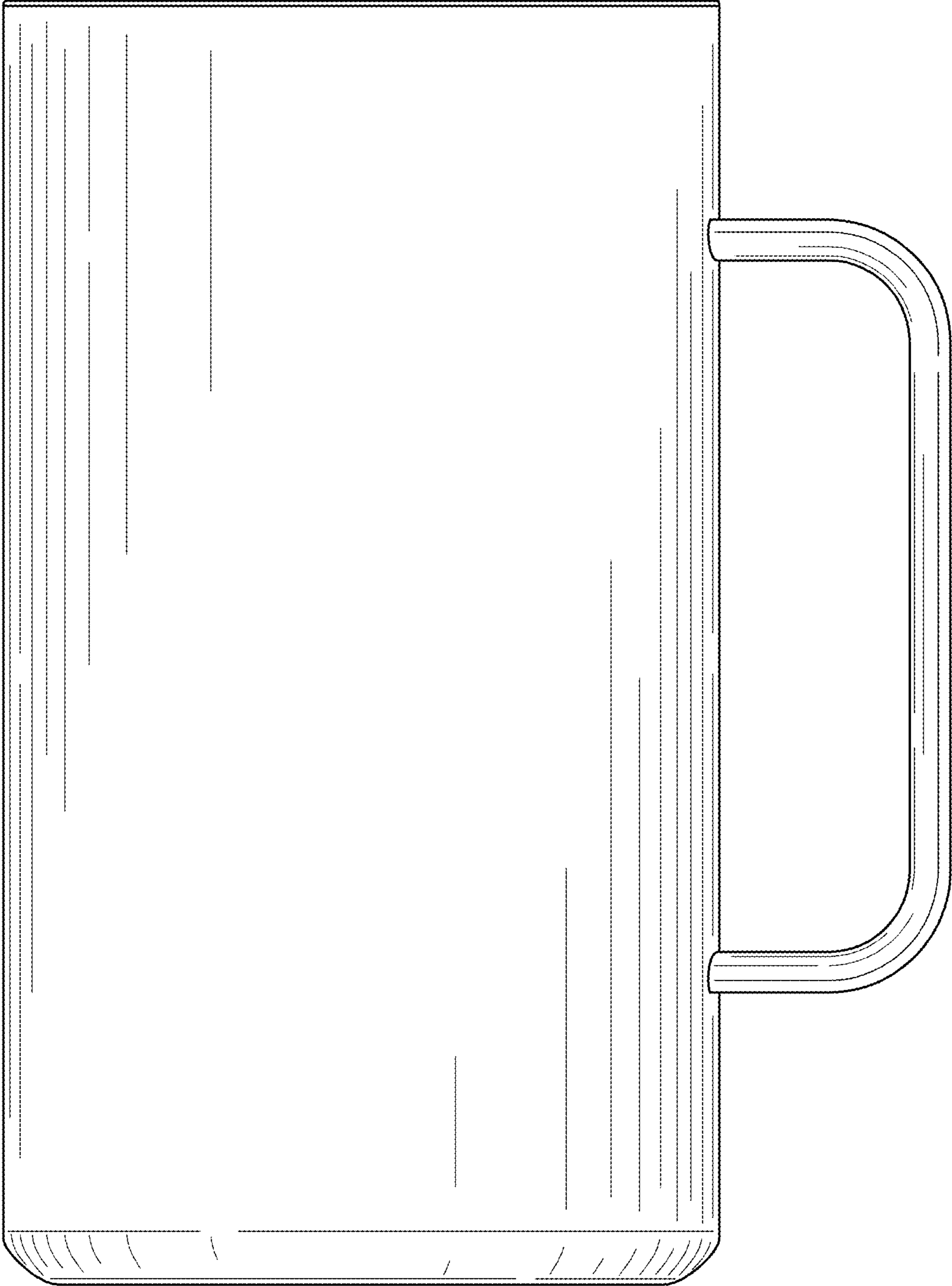


FIG. 3

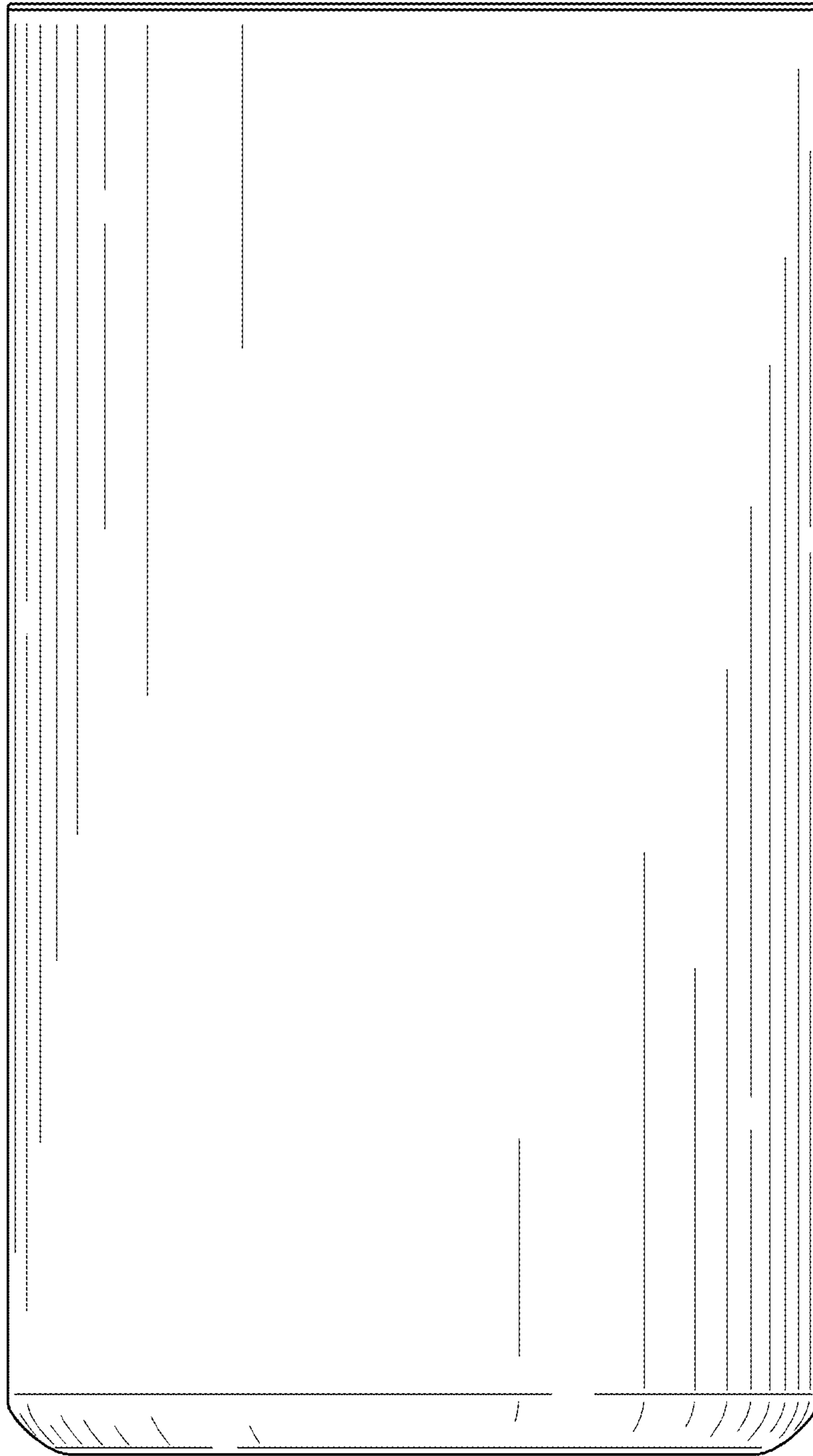


FIG. 4

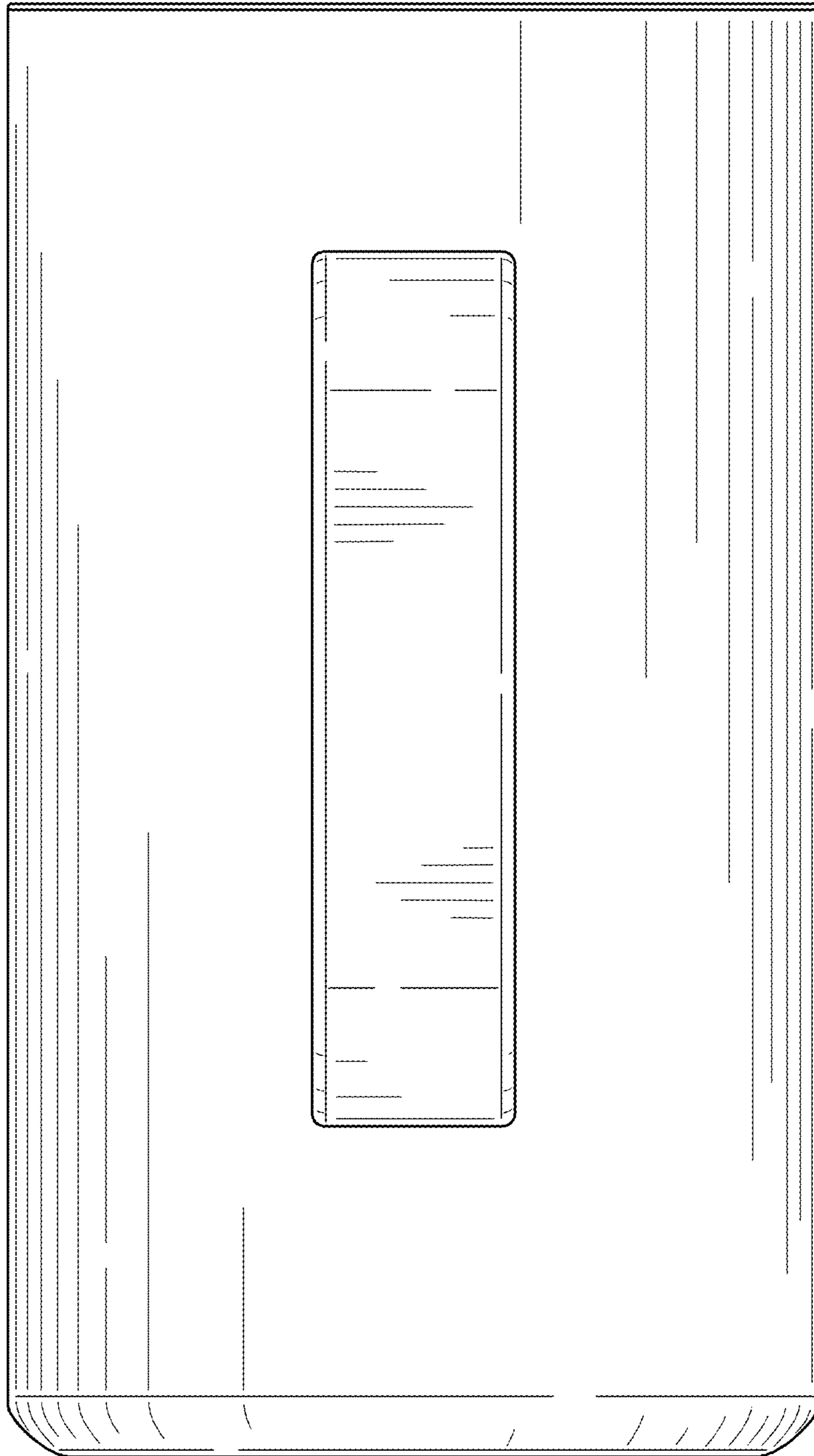


FIG. 5

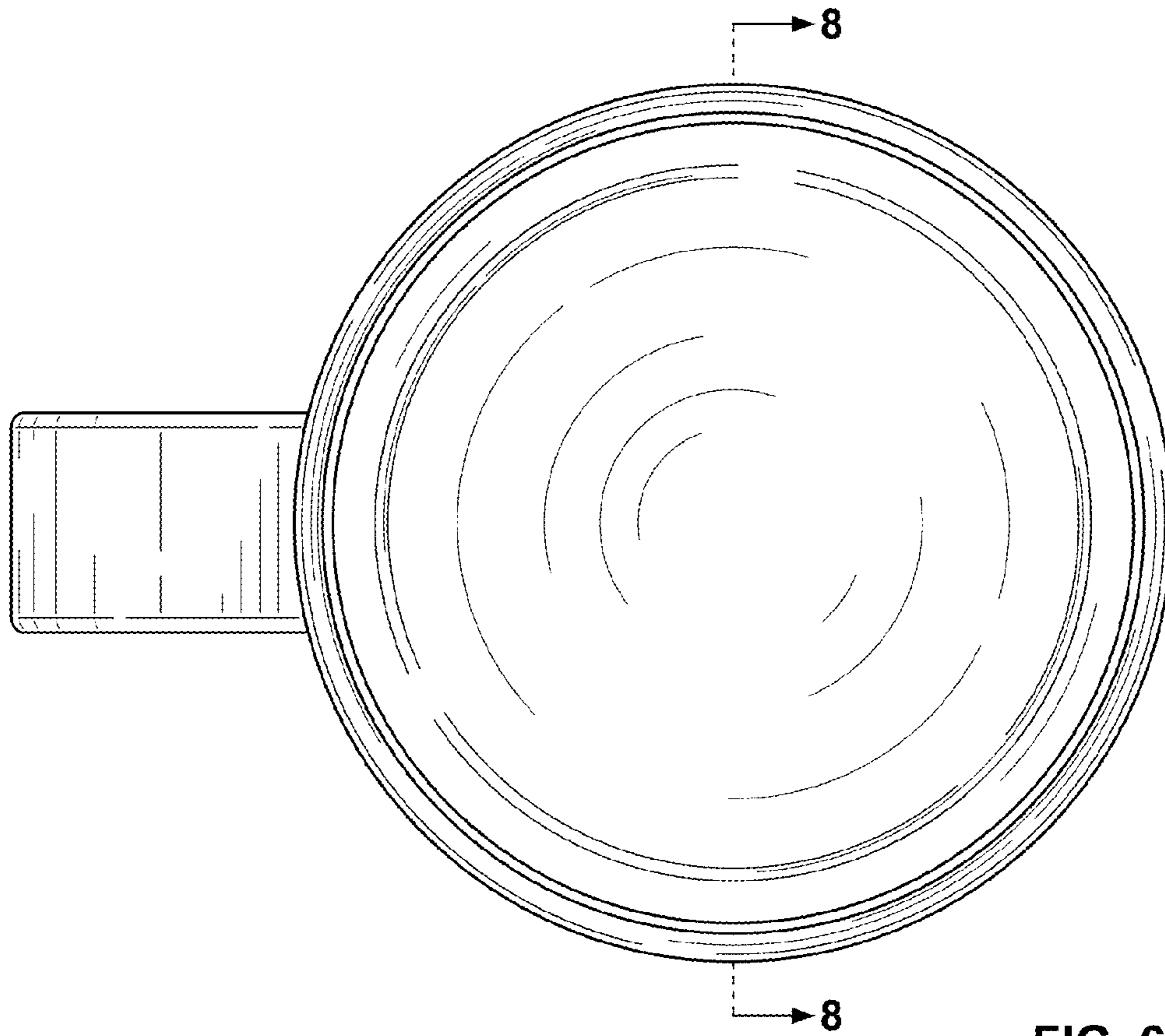


FIG. 6

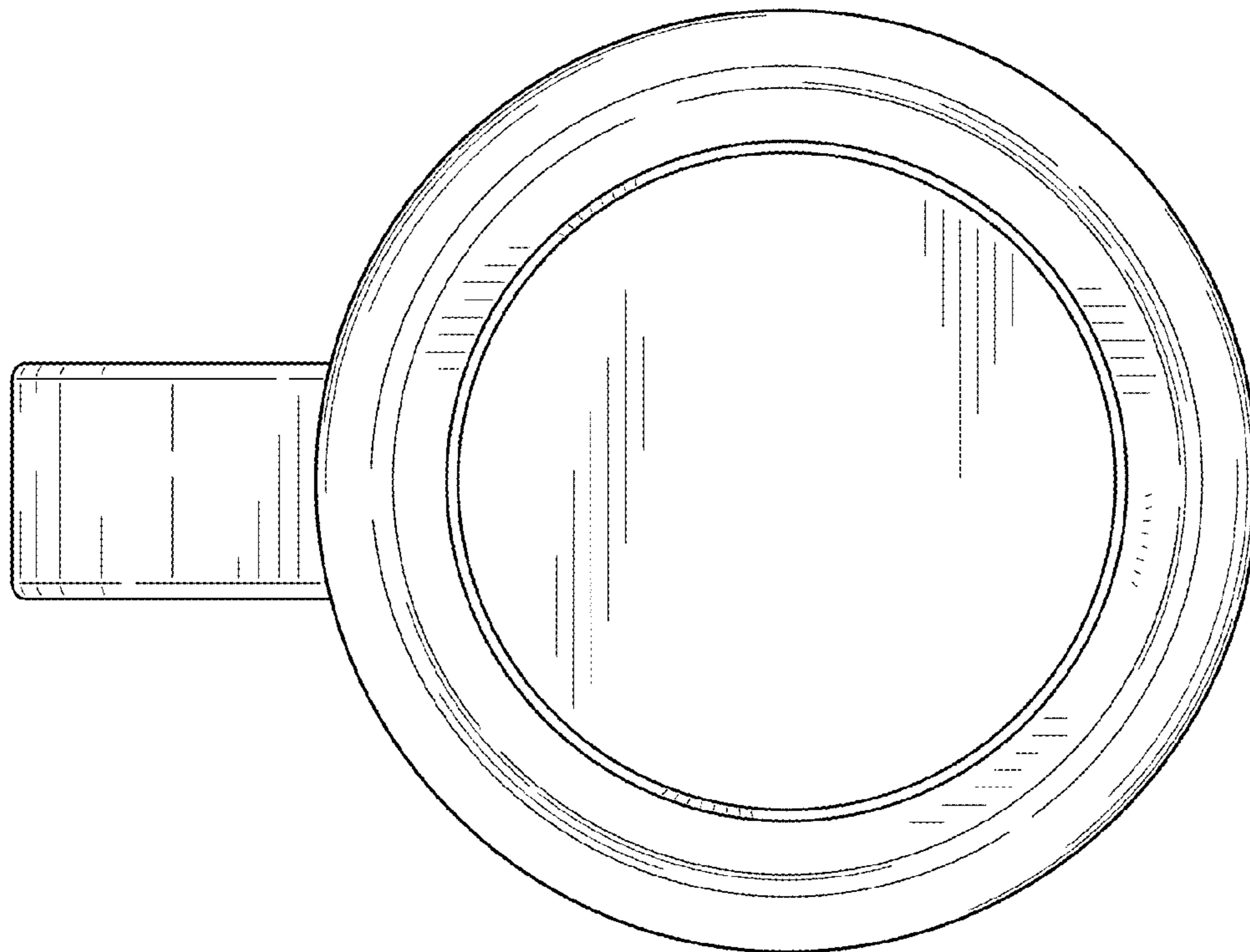


FIG. 7

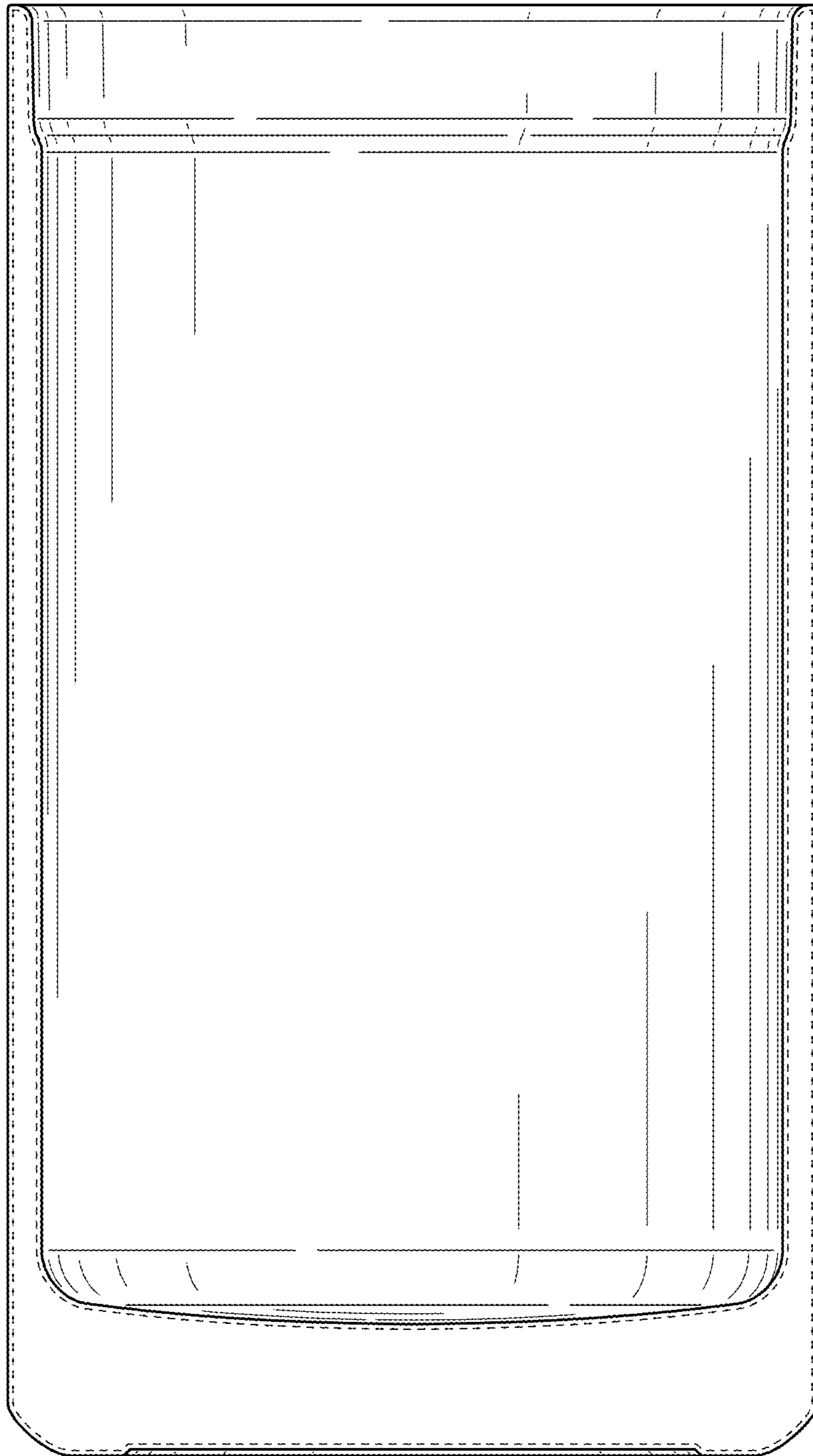


FIG. 8