



US00D911775S

(12) **United States Design Patent**
Ferrada

(10) **Patent No.:** **US D911,775 S**
(45) **Date of Patent:** **** Mar. 2, 2021**

- (54) **BAKEWARE SLING**
- (71) Applicant: **Lifetime Brands, Inc.**, Garden City, NY (US)
- (72) Inventor: **Bradley Ferrada**, Forest Hills, NY (US)
- (73) Assignee: **Lifetime Brands, Inc.**, Garden City, NY (US)

7,836,822 B2 *	11/2010	Cheng	A47J 25/00 99/565
D629,251 S *	12/2010	Tiemann	D7/402
D676,290 S *	2/2013	Cline	D7/675
D687,267 S *	8/2013	Harris	D7/673
D690,170 S *	9/2013	Harris	D7/673
D702,512 S *	4/2014	Harris	D7/673
D716,109 S *	10/2014	De Luca	D7/672
D749,917 S *	2/2016	Roberts	D7/673
D776,496 S *	1/2017	Mirchandani	D7/672
D814,887 S *	4/2018	Schultz	D7/673
2009/0241344 A1 *	10/2009	Mastroianni	A47J 25/00 30/114

(**) Term: **15 Years**

* cited by examiner

- (21) Appl. No.: **29/688,956**
- (22) Filed: **Apr. 25, 2019**
- (51) **LOC (13) Cl.** **07-02**
- (52) **U.S. Cl.**
USPC **D7/409; D7/667; D7/672; D7/388**
- (58) **Field of Classification Search**
USPC **D7/388, 675, 672, 673, 409, 667, 688**
CPC **A47J 25/00; A47J 43/20; B26D 3/26**
See application file for complete search history.

Primary Examiner — Marianne N Pandozzi
(74) *Attorney, Agent, or Firm* — Tutunjian & Bitetto, P.C.

(57) **CLAIM**

The ornamental design for a bakeware sling, as shown and described.

DESCRIPTION

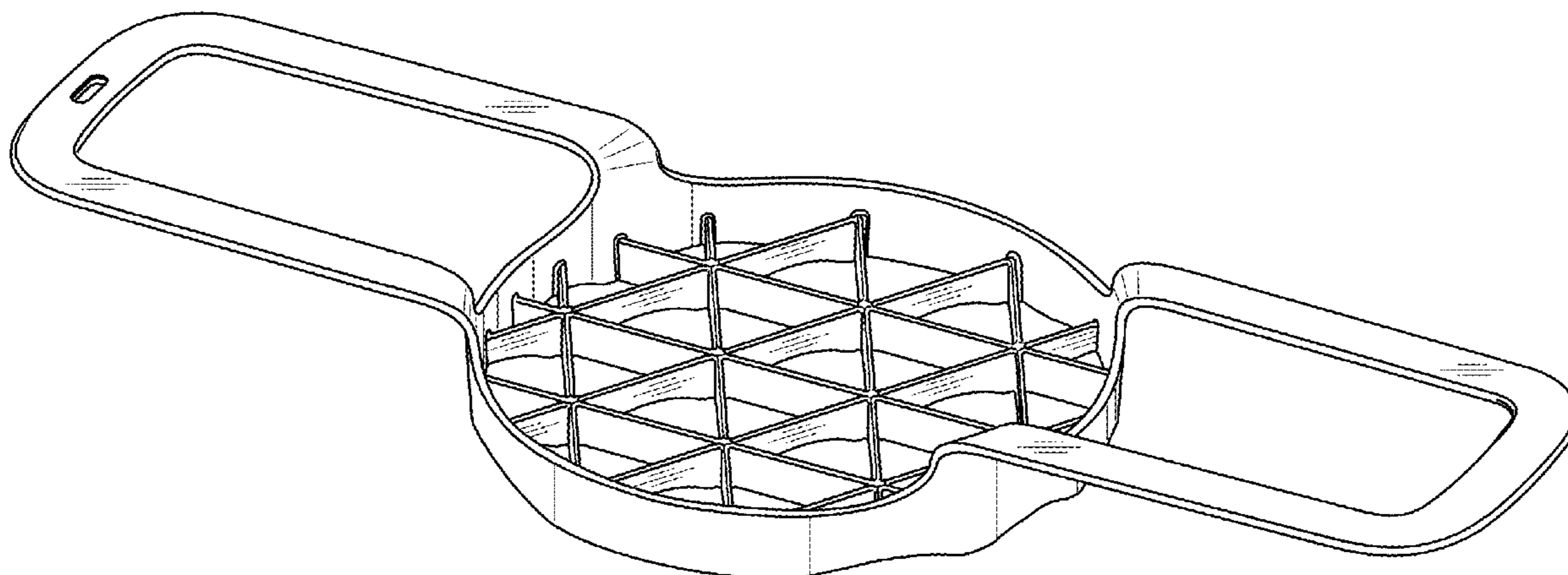
FIG. 1 is a perspective view of the bakeware sling showing my new design;
FIG. 2 is a top view thereof;
FIG. 3 is a bottom view thereof;
FIG. 4 is front view thereof;
FIG. 5 is a rear view thereof;
FIG. 6 is a right side view thereof; and,
FIG. 7 is a left side view thereof.

(56) **References Cited**

U.S. PATENT DOCUMENTS

D392,516 S *	3/1998	Evans	D7/675
D416,442 S *	11/1999	Gilchrist	D7/388
D473,109 S *	4/2003	Birchansky	D7/673
D577,256 S *	9/2008	Schutte	D7/409

1 Claim, 4 Drawing Sheets



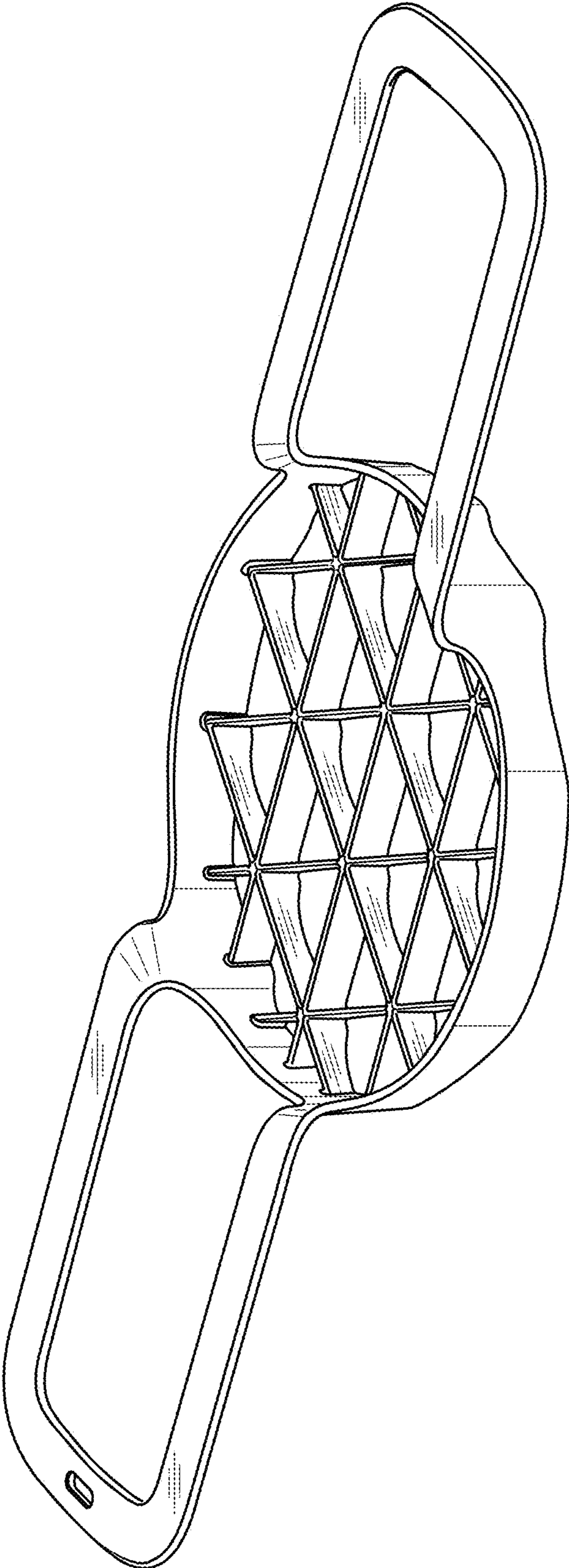


FIG. 1

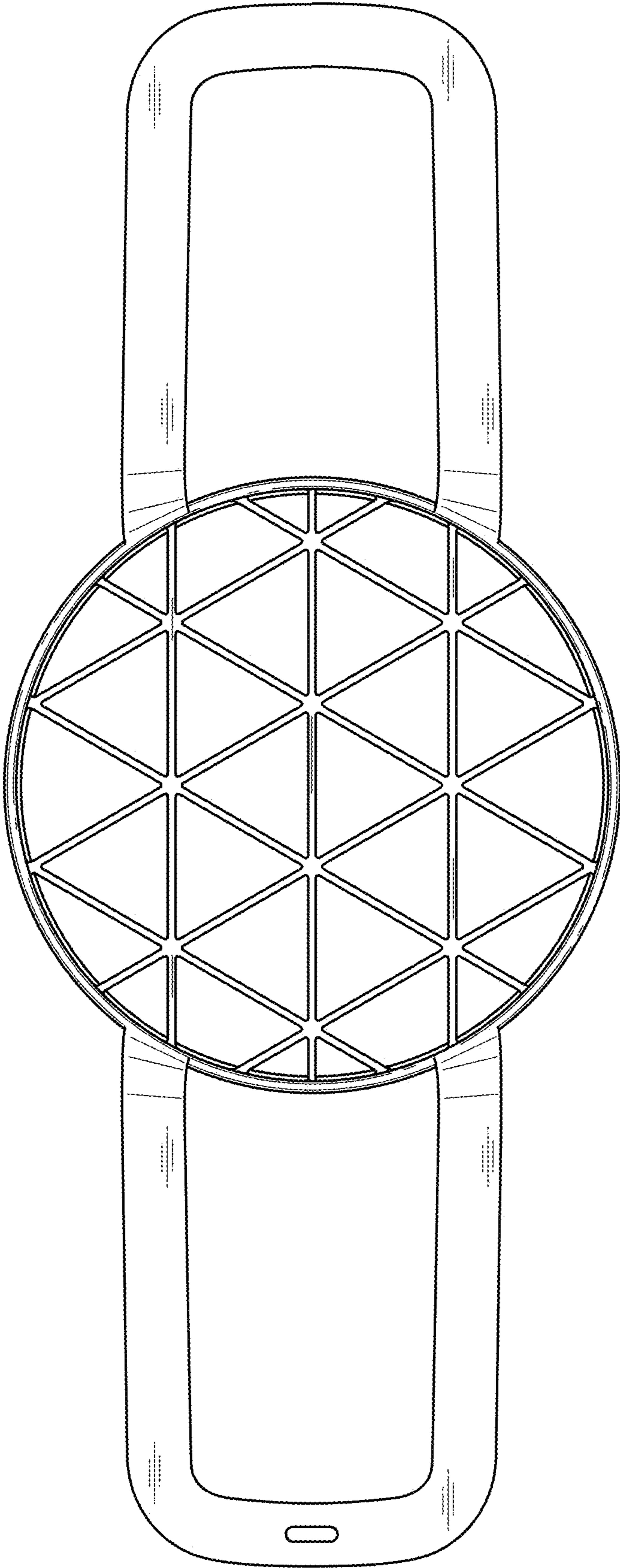


FIG. 2

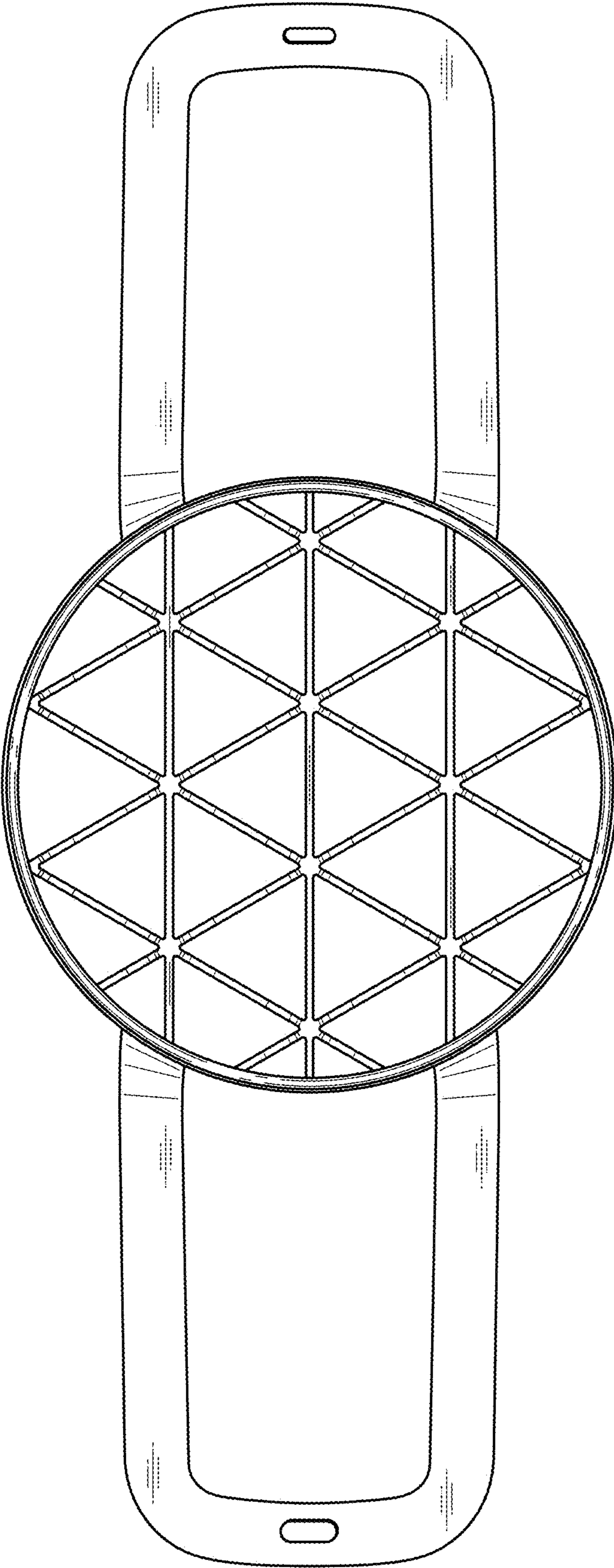


FIG. 3

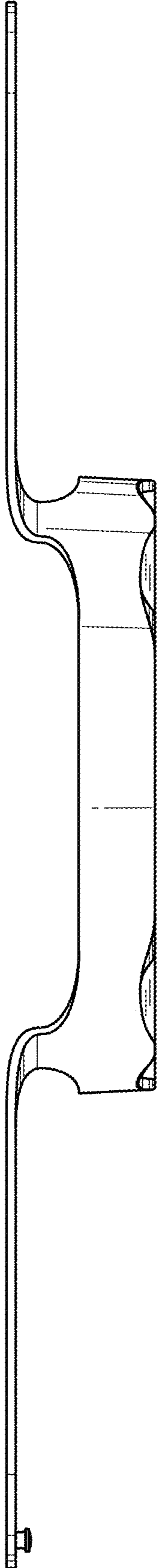


FIG. 4

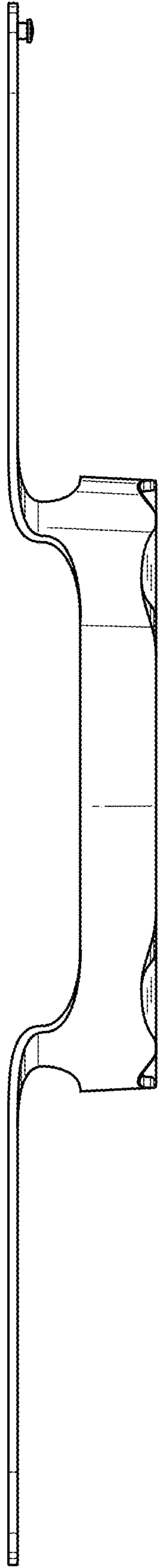


FIG. 5

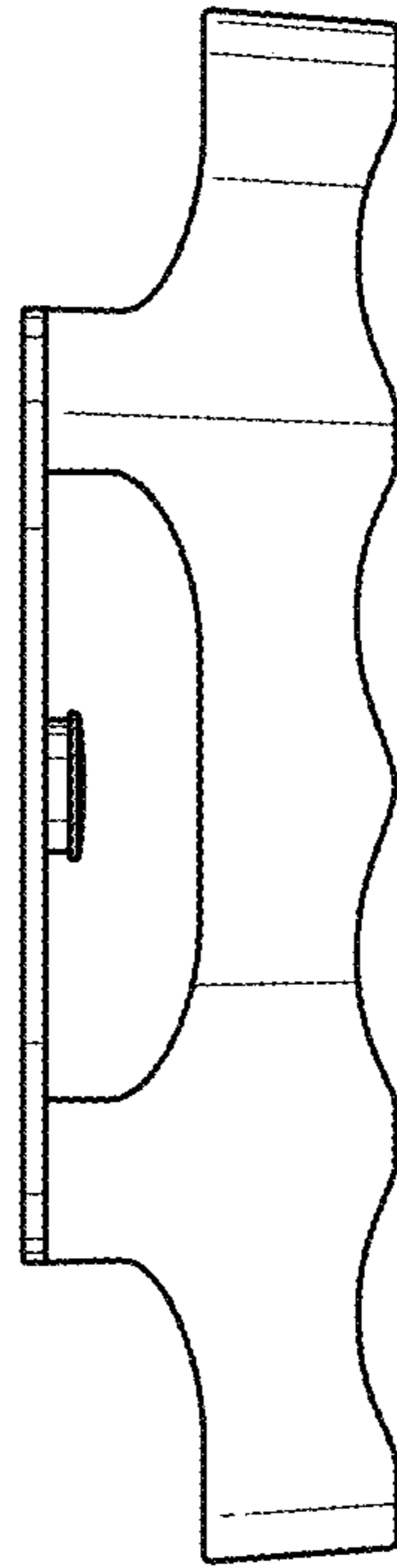


FIG. 6

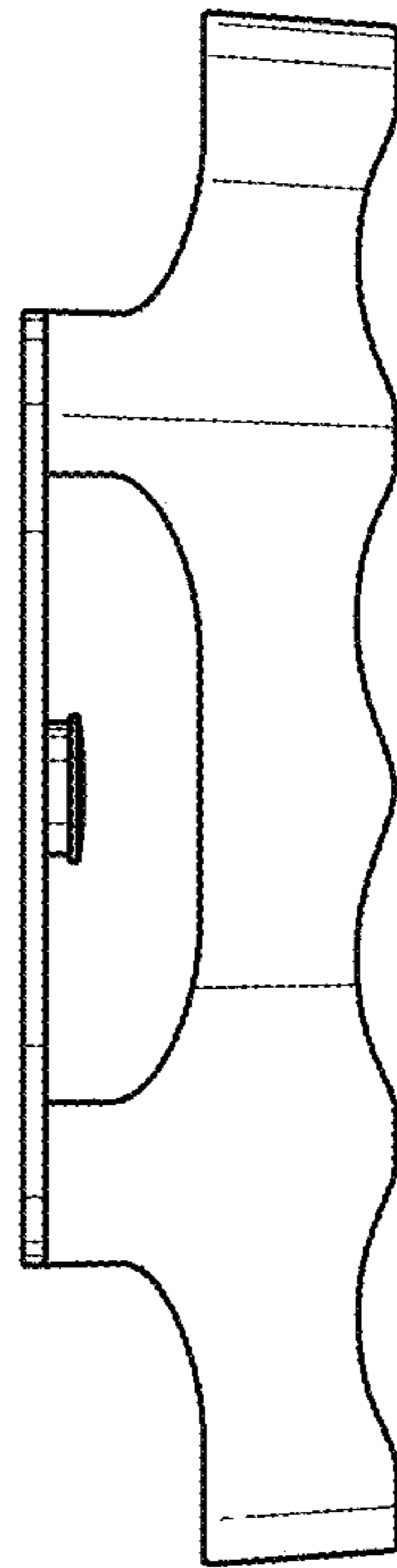


FIG. 7