



US00D911774S

(12) **United States Design Patent**  
**Vogt et al.**

(10) **Patent No.:** **US D911,774 S**  
(45) **Date of Patent:** **\*\* \*Mar. 2, 2021**

- (54) **BEVERAGE DISPENSER**
- (71) Applicant: **Coravin, Inc.**, Bedford, MA (US)
- (72) Inventors: **Chris Vogt**, Somerville, MA (US); **Beth Tuck**, Needham, MA (US)
- (73) Assignee: **Coravin, Inc.**, Bedford, MA (US)
- (\*) Notice: This patent is subject to a terminal disclaimer.
- (\*\*) Term: **15 Years**
- (21) Appl. No.: **29/662,064**
- (22) Filed: **Aug. 31, 2018**
- (51) **LOC (13) Cl.** ..... **07-99**
- (52) **U.S. Cl.**  
USPC ..... **D7/397; D7/300; D7/665**
- (58) **Field of Classification Search**  
USPC ..... D7/397-401, 309-311, 306, 605, 392.1,  
D7/396.2, 316-319, 300, 665, 312, 313;  
D8/42; D9/447, 448; D26/60, 65  
CPC ..... B67D 1/0412  
See application file for complete search history.

- D869,217 S \* 12/2019 Stropkay ..... D7/306
  - D869,231 S \* 12/2019 Stropkay ..... D7/397
  - D877,563 S \* 3/2020 Cauwood ..... D7/397
- (Continued)

**OTHER PUBLICATIONS**

CNET, The Coravin Model 11, Jan. 9, 2018, Youtube, [https://www.youtube.com/watch?v=LIORvj\\_ch30](https://www.youtube.com/watch?v=LIORvj_ch30) (Year: 2018).\*

(Continued)

*Primary Examiner* — Brett Miller  
(74) *Attorney, Agent, or Firm* — Wolf, Greenfield & Sacks, P.C.

(57) **CLAIM**

The ornamental design for a beverage dispenser, as shown and described.

**DESCRIPTION**

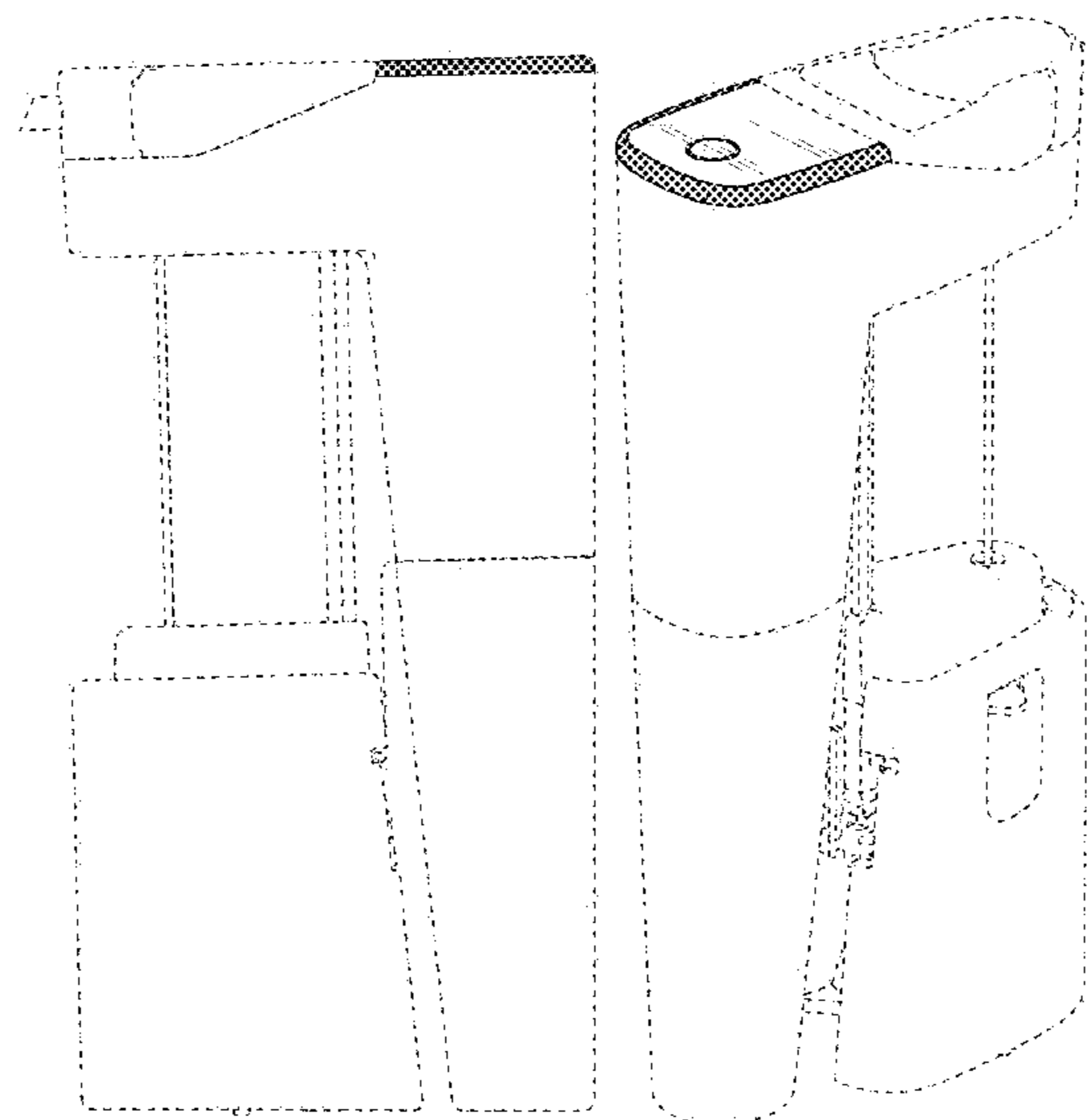
The patent or application file contains at least one drawing executed in color. Copies of this patent or patent application publication with color drawing(s) will be provided by the Office upon request and payment of the necessary fee.

FIG. 1 is a right side elevation view of a beverage dispenser in a first state showing our new design;  
FIG. 2 is a left side elevation view thereof;  
FIG. 3 is a top plan view thereof;  
FIG. 4 is a top, rear, left side perspective view thereof;  
FIG. 5 is a right side elevation view of the beverage dispenser of FIGS. 1-4 in a second state;  
FIG. 6 is a left side elevation view of FIG. 5;  
FIG. 7 is a top plan view of FIG. 5; and,  
FIG. 8 is a top, rear, left side perspective view of FIG. 5.

The appearance of the beverage dispenser transitions between the first state and the second state. The process or period in which the appearance transitions forms no part of the claimed design.

**1 Claim, 4 Drawing Sheets**  
**(4 of 4 Drawing Sheet(s) Filed in Color)**

- (56) **References Cited**
- U.S. PATENT DOCUMENTS**
- D514,570 S \* 2/2006 Ohta ..... D14/384
- D572,678 S \* 7/2008 Fujiki ..... D14/126
- D576,619 S \* 9/2008 Udagawa ..... D14/435.1
- D636,917 S \* 4/2011 Nelson ..... D26/60
- D638,659 S \* 5/2011 Martindale ..... D7/398
- D674,524 S \* 1/2013 Davies ..... D26/28
- D753,851 S \* 4/2016 Denninger ..... D26/2
- D760,014 S \* 6/2016 Koszylko ..... D7/352
- D779,718 S \* 2/2017 Shiening Wang ..... D26/142
- D812,971 S \* 3/2018 Moon ..... D7/397
- D823,429 S \* 7/2018 Wood ..... D23/208
- D831,215 S \* 10/2018 Bak ..... D24/158
- D838,359 S \* 1/2019 Boyaval ..... D24/112
- D868,521 S \* 12/2019 Stropkay ..... D7/306



(56)

**References Cited**

U.S. PATENT DOCUMENTS

D878,152 S \* 3/2020 McDonald ..... D7/398  
D879,533 S \* 3/2020 Liuzza ..... D7/306  
2014/0102310 A1\* 4/2014 Aardenburg ..... A47J 31/3676  
99/295

OTHER PUBLICATIONS

U.S. Appl. No. 29/662,060, filed Aug. 31, 2018, Vogt et al.  
U.S. Appl. No. 29/662,058, filed Aug. 31, 2018, Vogt.

\* cited by examiner

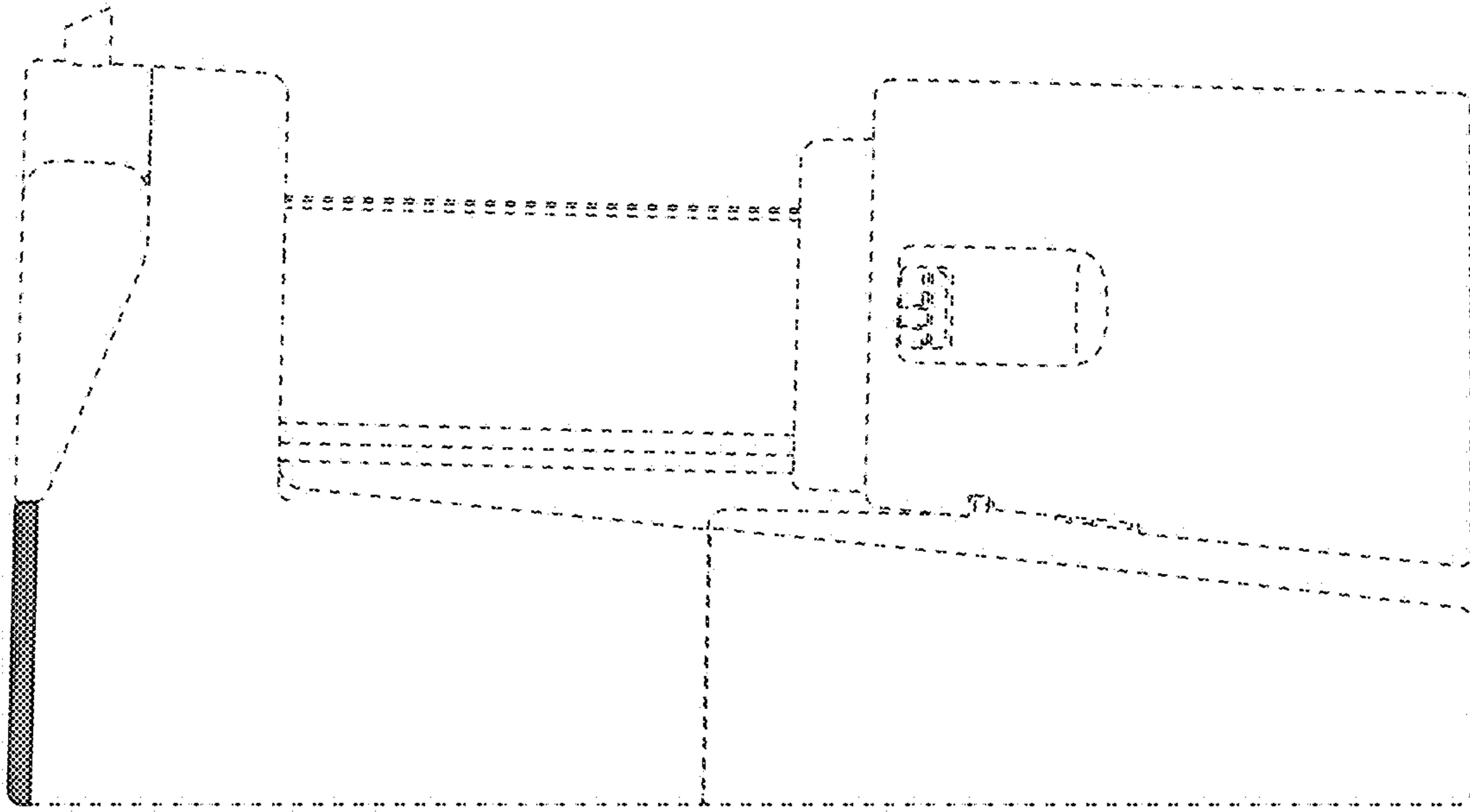


FIG. 1

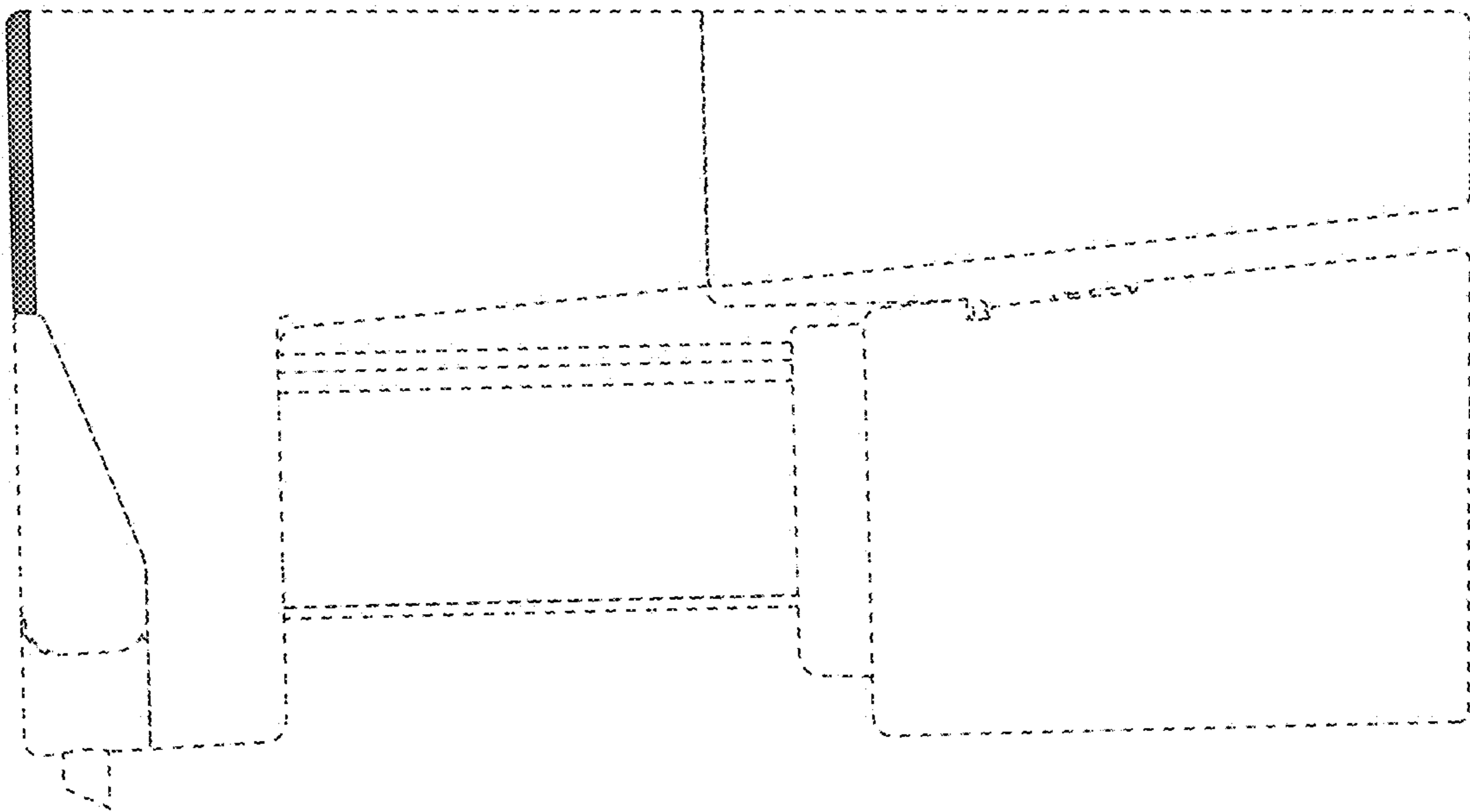


FIG. 2

FIG. 3

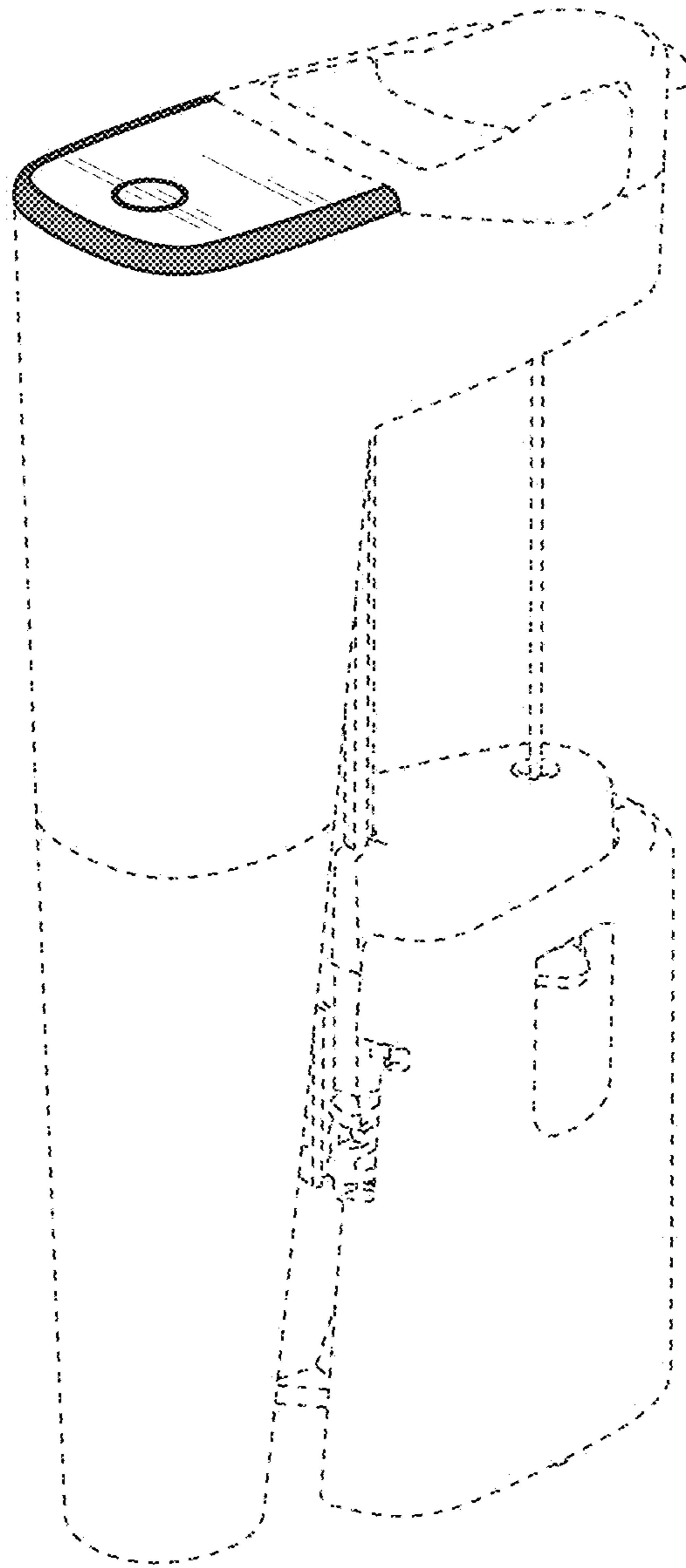
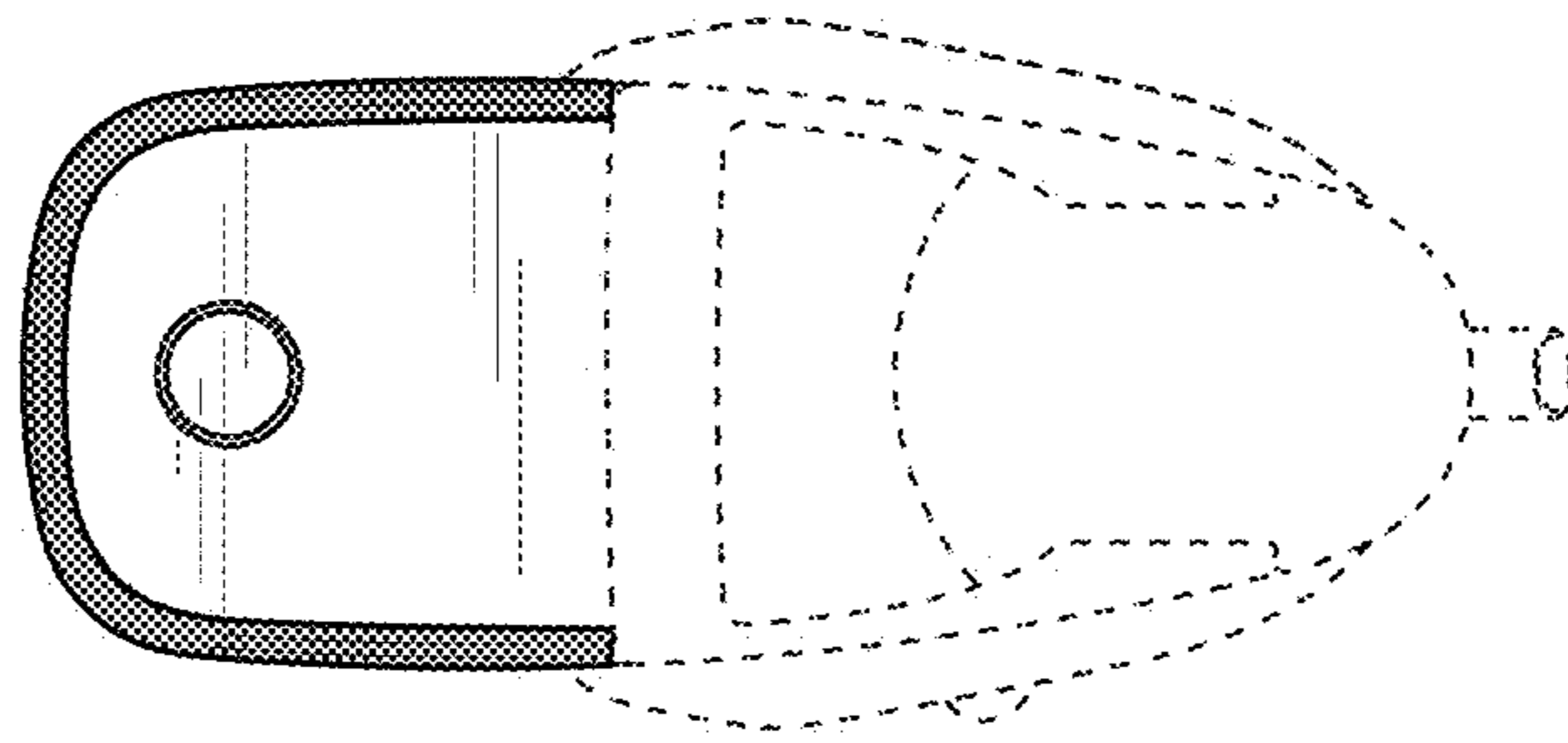


FIG. 4

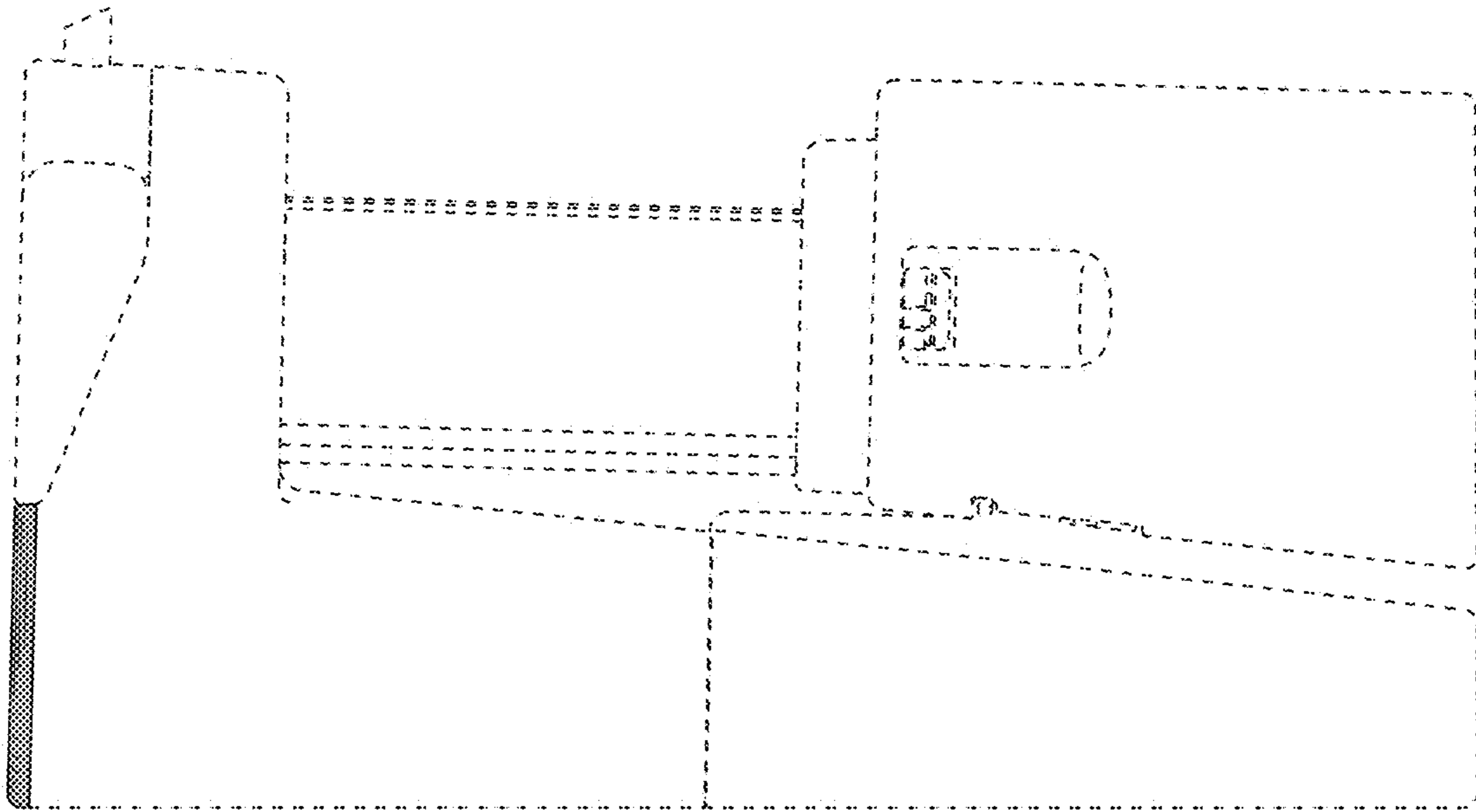


FIG. 6

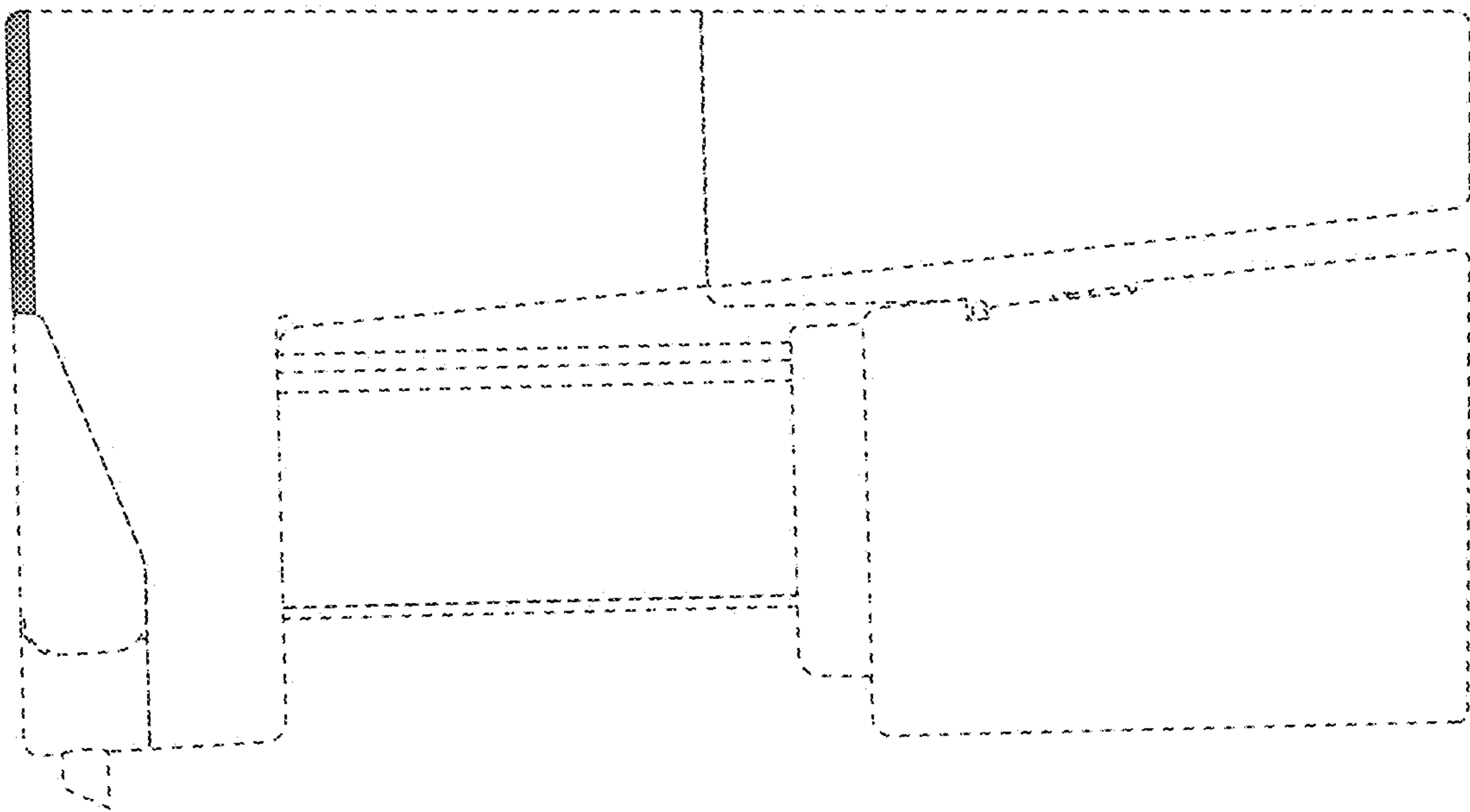


FIG. 5

FIG. 7

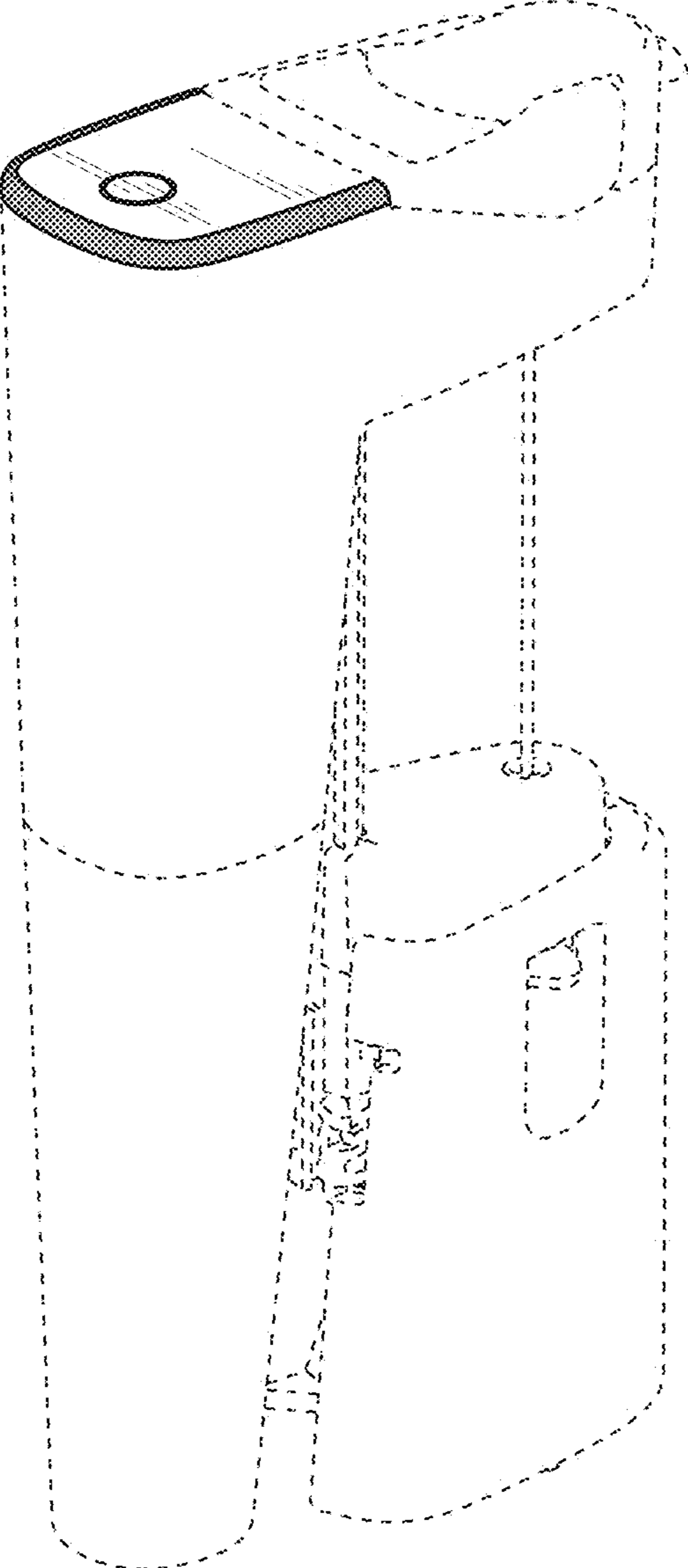
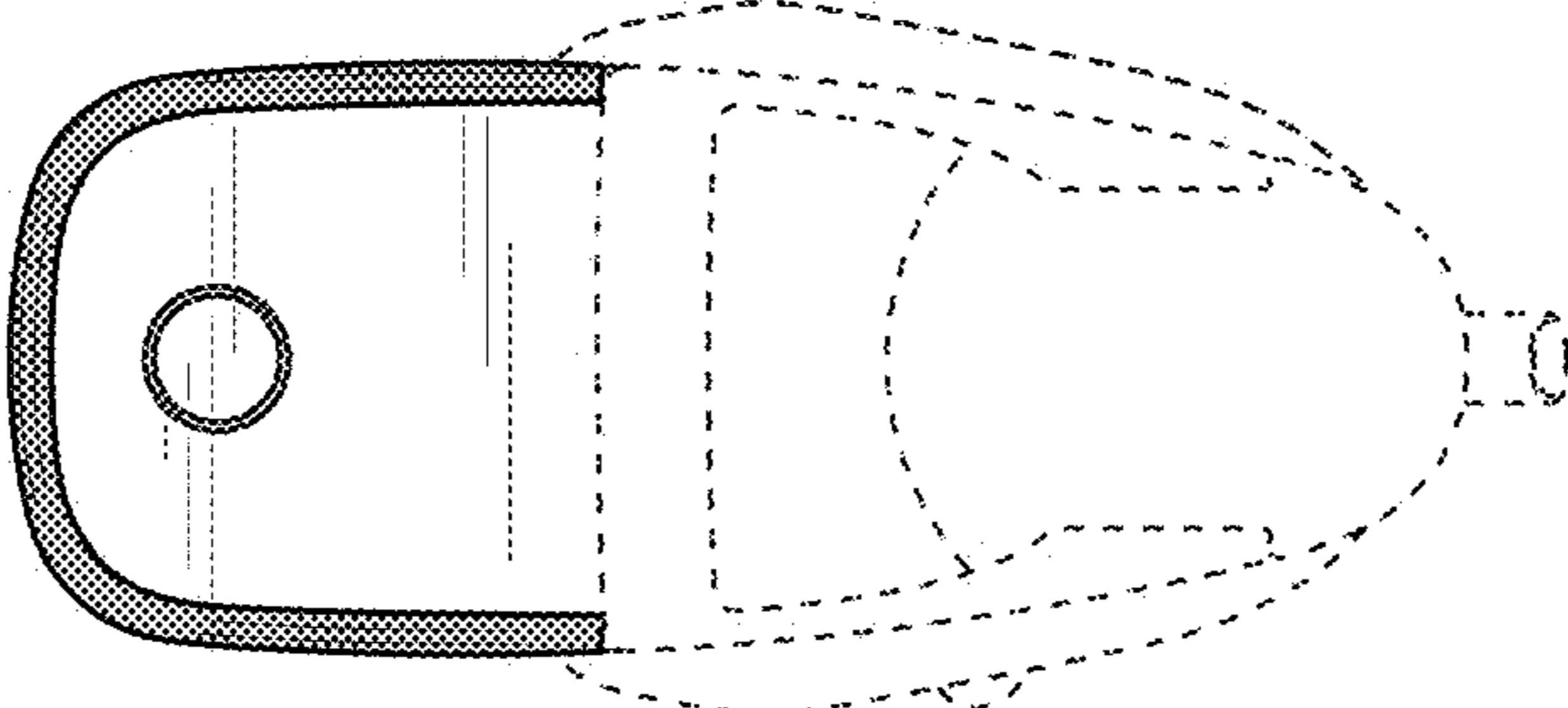


FIG. 8