



US00D911773S

(12) **United States Design Patent**
Vogt et al.

(10) **Patent No.:** **US D911,773 S**

(45) **Date of Patent:** **** *Mar. 2, 2021**

(54) **BEVERAGE DISPENSER WITH ILLUMINABLE ELEMENT**

(71) Applicant: **Coravin, Inc.**, Bedford, MA (US)

(72) Inventors: **Chris Vogt**, Somerville, MA (US);
Sarah Deslandes, El Sobrante, CA (US)

(73) Assignee: **Coravin, Inc.**, Bedford, MA (US)

(*) Notice: This patent is subject to a terminal disclaimer.

(**) Term: **15 Years**

(21) Appl. No.: **29/662,060**

(22) Filed: **Aug. 31, 2018**

(51) **LOC (13) Cl.** **07-99**

(52) **U.S. Cl.**

USPC **D7/397**; D7/300; D7/665

(58) **Field of Classification Search**

USPC D7/397-401, 309-311, 306, 605, 392.1,
D7/396.2, 316-319, 300, 665, 312, 313;
D8/42; D9/447, 448; D26/60, 65

CPC B67D 1/0412

See application file for complete search history.

(56) **References Cited**

U.S. PATENT DOCUMENTS

D514,570 S *	2/2006	Ohta	D14/384
D572,678 S *	7/2008	Fujiki	D14/126
D576,619 S *	9/2008	Udagawa	D14/435.1
D636,917 S *	4/2011	Nelson	D26/60
D638,659 S *	5/2011	Martindale	D7/398
D674,524 S *	1/2013	Davies	D26/28
D753,851 S *	4/2016	Denninger	D26/2
D760,014 S *	6/2016	Koszylko	D7/352
D779,718 S *	2/2017	Shiening Wang	D26/142
D812,971 S *	3/2018	Moon, II	D7/397
D823,429 S *	7/2018	Wood	D23/208

D831,215 S *	10/2018	Bak	D24/158
D838,359 S *	1/2019	Boyaval	D24/112
D868,521 S *	12/2019	Stropkay	D7/306
D869,217 S *	12/2019	Stropkay	D7/306
D869,231 S *	12/2019	Stropkay	D7/397
D877,563 S *	3/2020	Cauwood	D7/397
D878,152 S *	3/2020	McDonald	D7/398
D879,533 S *	3/2020	Liuzza	D7/306

(Continued)

OTHER PUBLICATIONS

CNET, The Coravin Model 11, Jan. 9, 2018, Youtube, https://www.youtube.com/watch?v=LIORvj_ch30 (Year: 2018).*

(Continued)

Primary Examiner — Brett Miller

(74) *Attorney, Agent, or Firm* — Wolf, Greenfield & Sacks, P.C.

(57) **CLAIM**

The ornamental design for a beverage dispenser with illuminable element, as shown and described.

DESCRIPTION

FIG. 1 is a top, front, right side perspective view of a beverage dispenser with illuminable element showing our new design;

FIG. 2 is a front elevation view thereof;

FIG. 3 is a right side elevation view thereof;

FIG. 4 is a top plan view thereof;

FIG. 5 is a rear elevation view thereof;

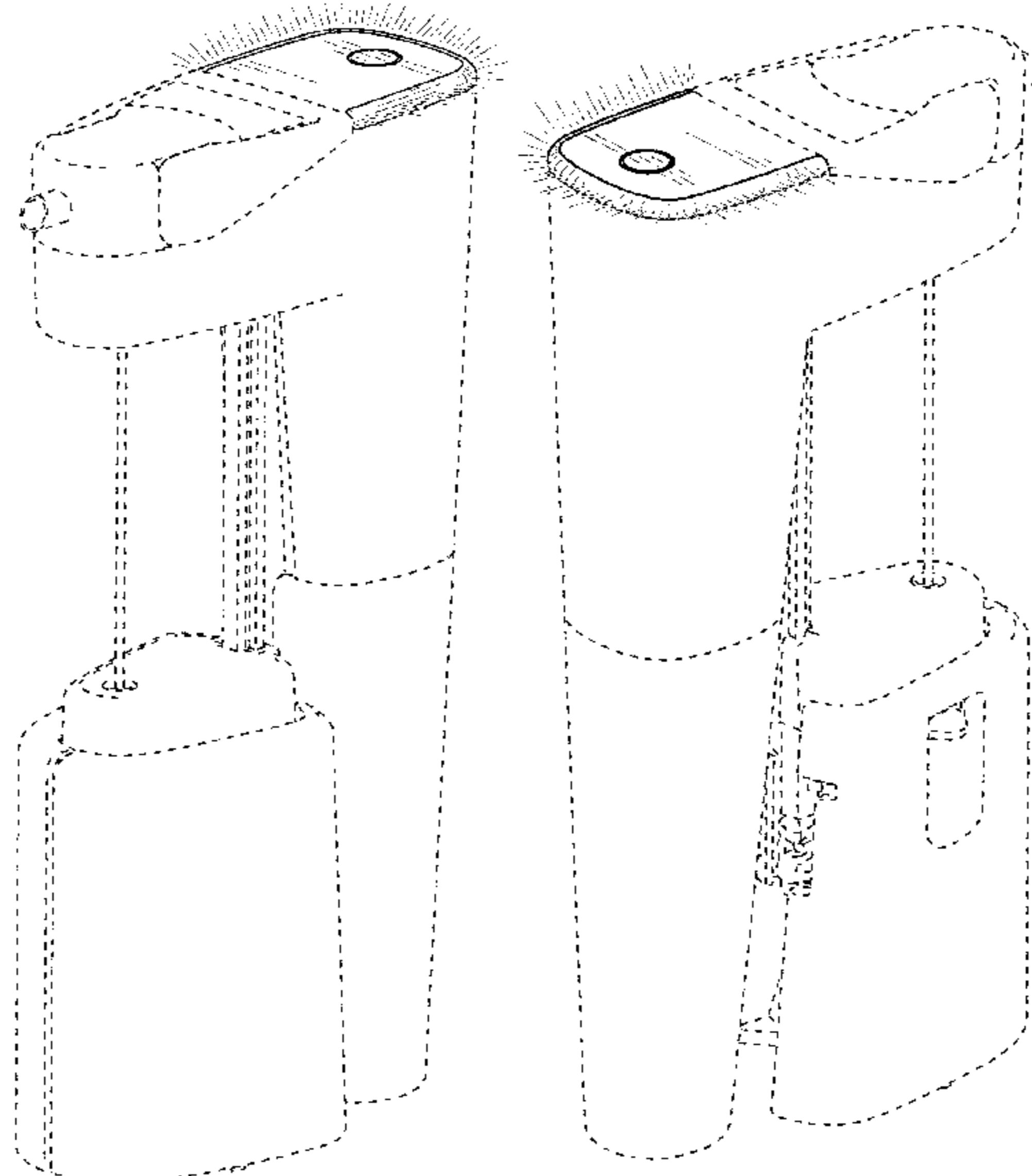
FIG. 6 is a left side elevation view thereof;

FIG. 7 is a bottom plan view thereof; and,

FIG. 8 is a top, rear, left side perspective view thereof.

The broken lines represent portions of the beverage dispenser with illuminable element that form no part of the claimed design. The alternating long and short lines indicate light emanating from the illuminable element.

1 Claim, 3 Drawing Sheets



(56)

References Cited

U.S. PATENT DOCUMENTS

2014/0102310 A1* 4/2014 Aardenburg A47J 31/3676
99/295

OTHER PUBLICATIONS

U.S. Appl. No. 29/662,064, filed Aug. 31, 2018, Vogt et al.
U.S. Appl. No. 29/662,058, filed Aug. 31, 2018, Vogt.

* cited by examiner

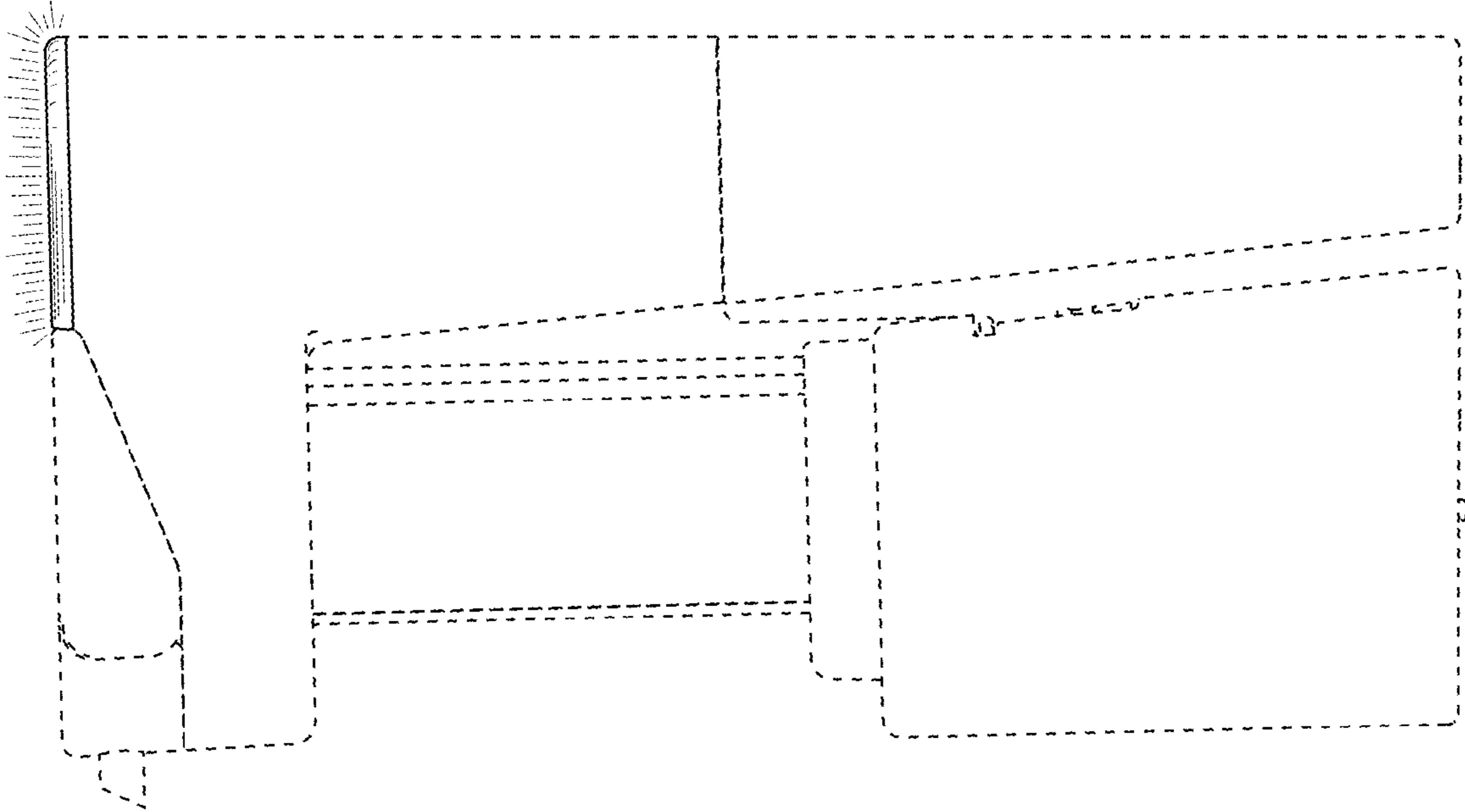
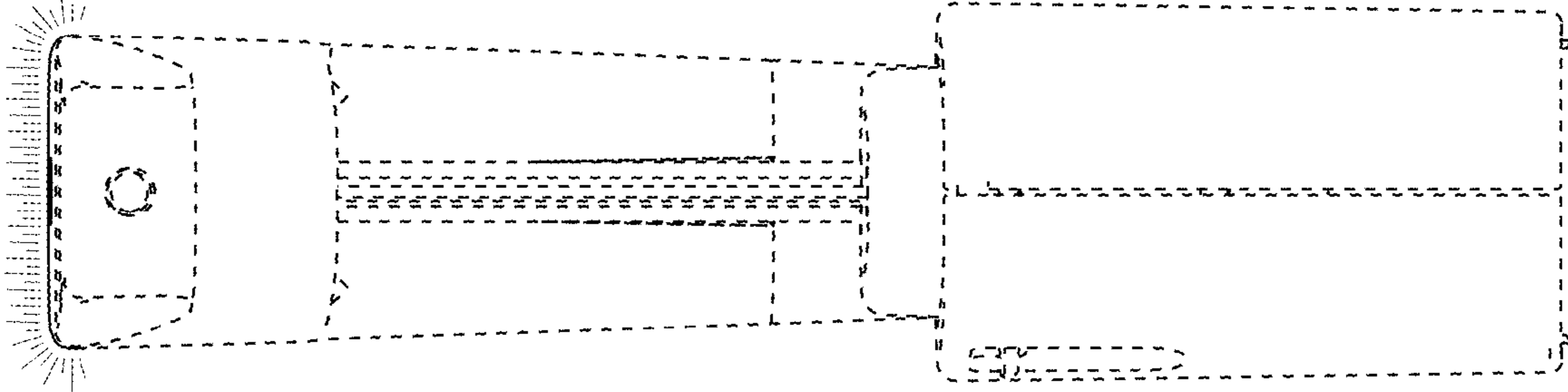
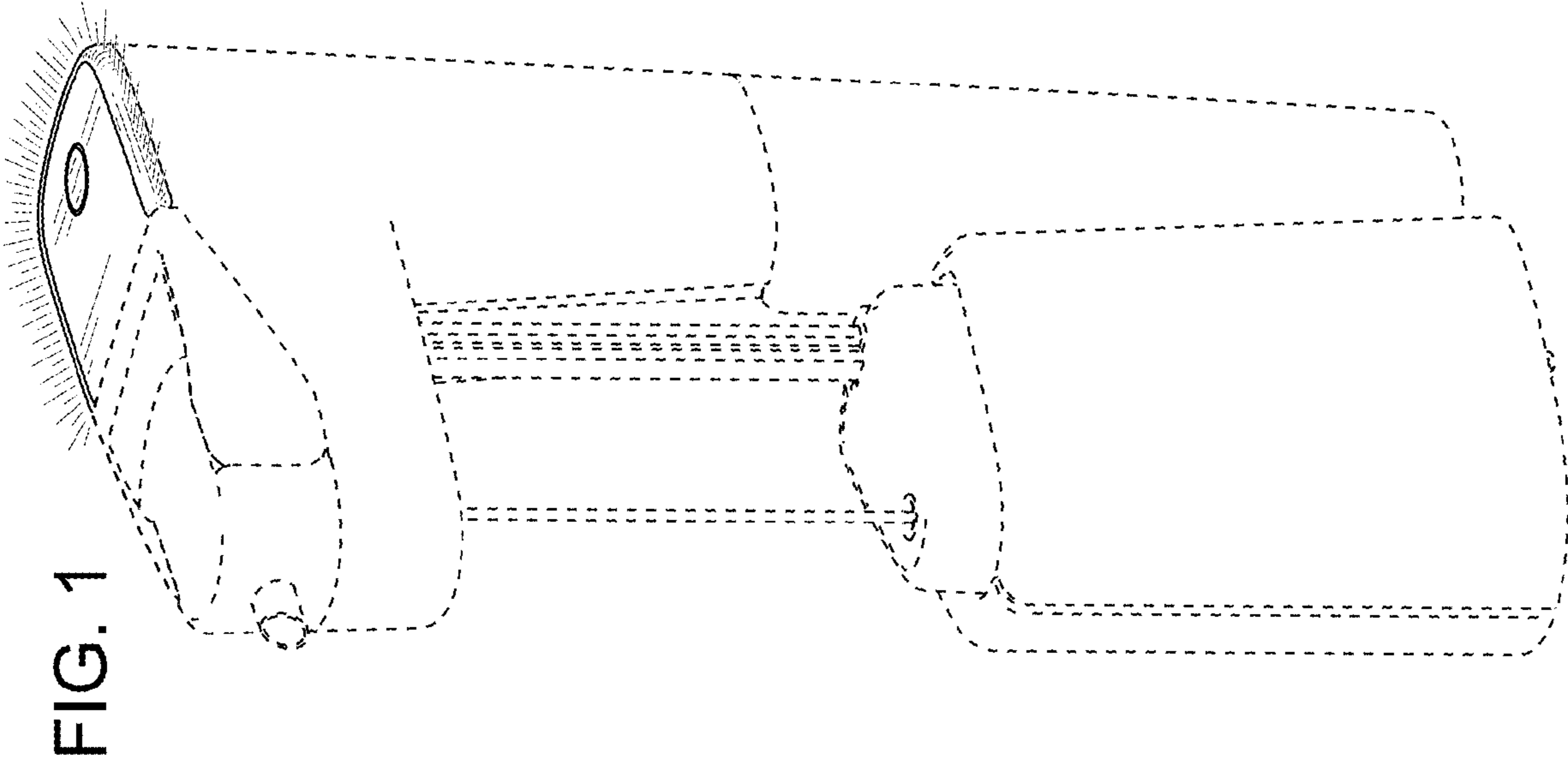
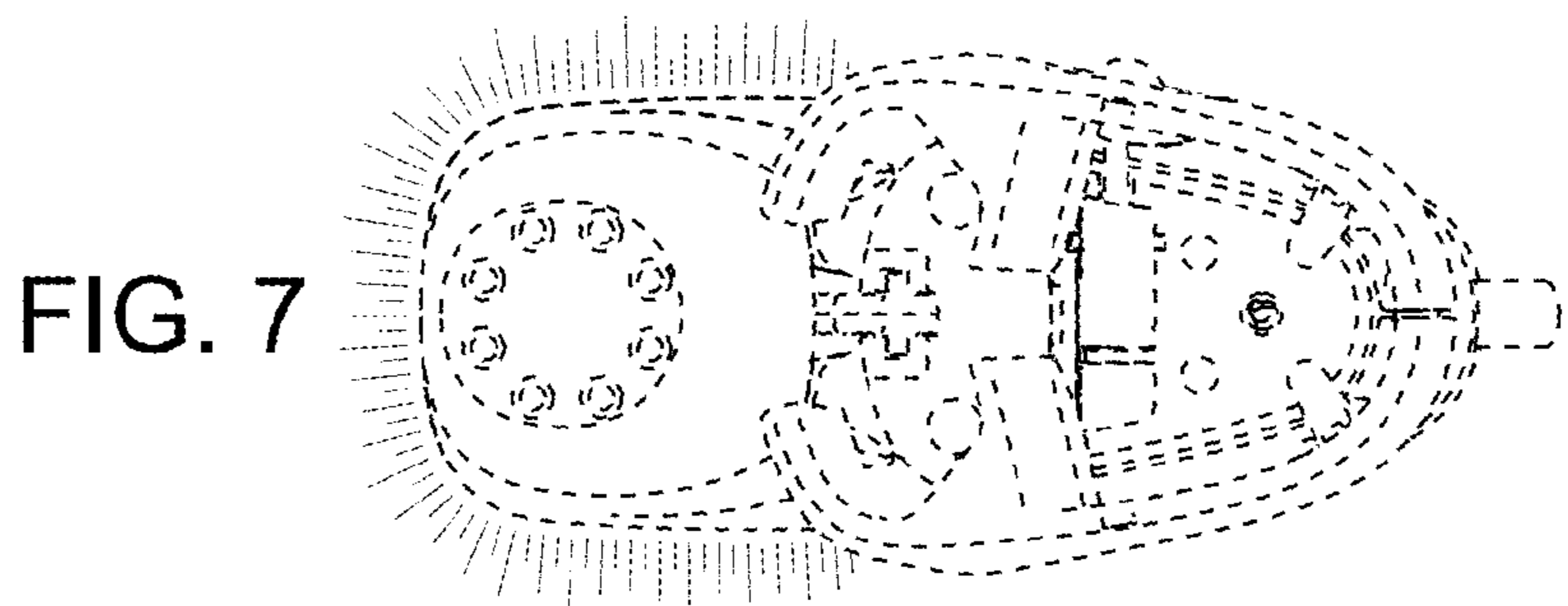
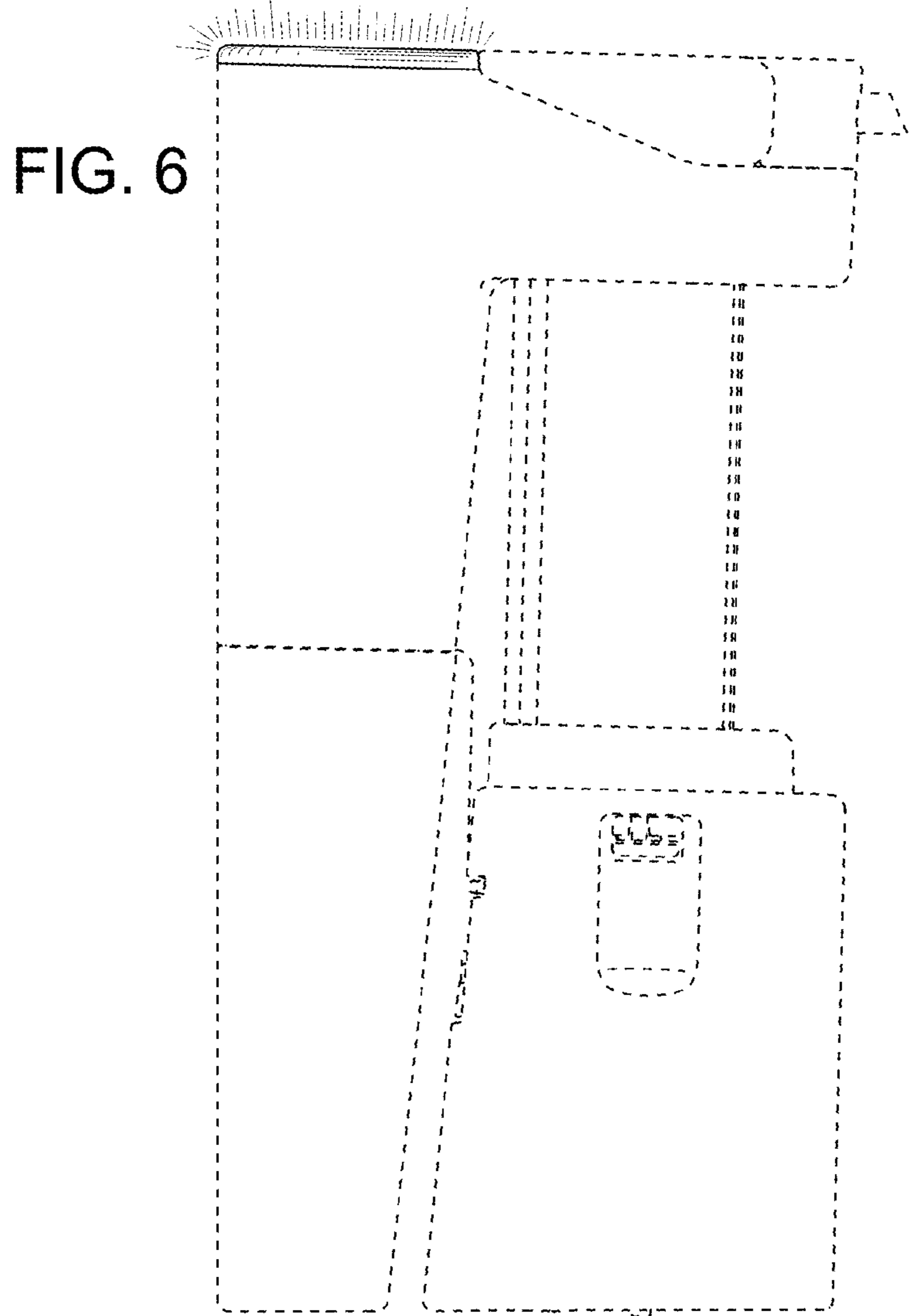
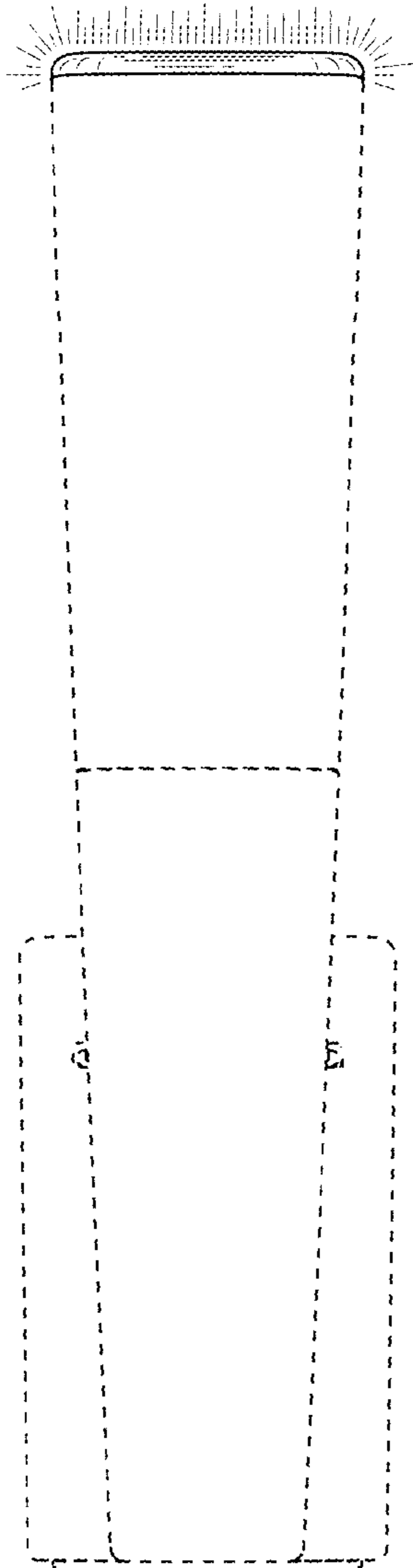
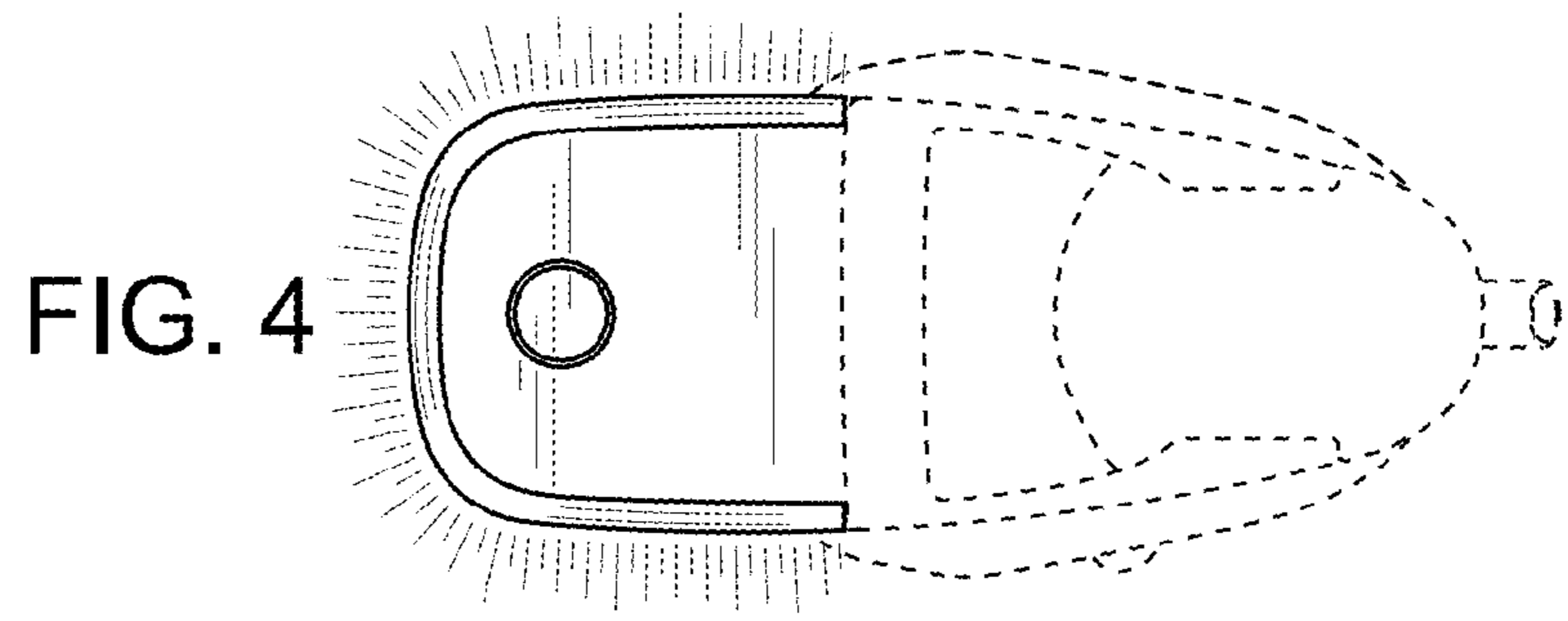


FIG. 1

FIG. 2

FIG. 3



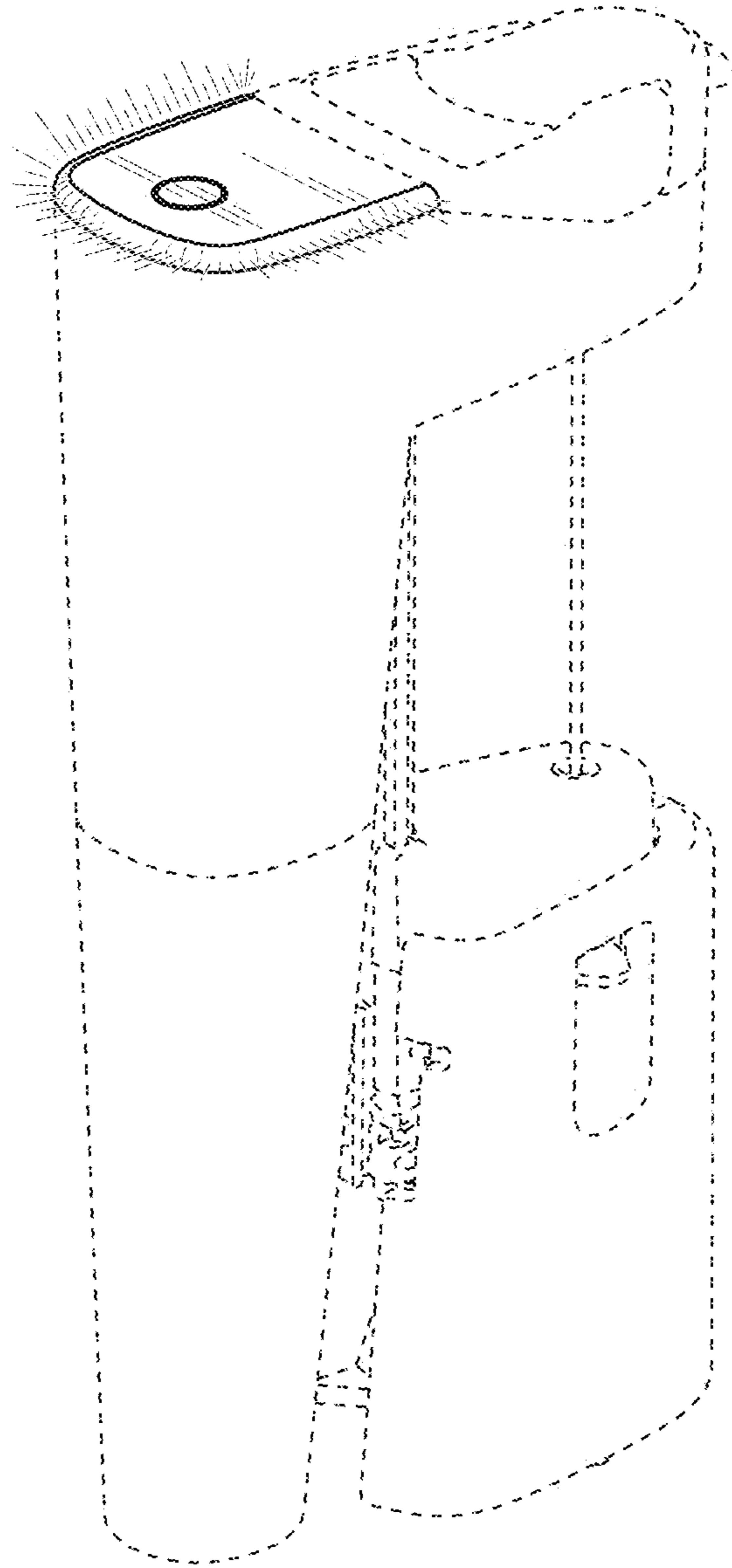


FIG. 8