



US00D911772S

(12) **United States Design Patent**
Xie

(10) **Patent No.:** **US D911,772 S**
(45) **Date of Patent:** **** Mar. 2, 2021**

(54) **LID FOR BEVERAGE CONTAINER**

(71) Applicant: **Shenzhenshi Baozhixia Keji youxiangongsi**, Shenzhen Guangdong (CN)

(72) Inventor: **Zhixia Xie**, Guangdong Province (CN)

(**) Term: **15 Years**

(21) Appl. No.: **29/745,925**

(22) Filed: **Aug. 11, 2020**

(51) **LOC (13) Cl.** **07-99**

(52) **U.S. Cl.**
USPC **D7/392.1; D7/396.2; D9/443; D9/447; D9/452**

(58) **Field of Classification Search**

USPC D9/434, 435, 436, 439, 440, 442-450, D9/452-457, 499, 503-505, 682, 685, D9/686; D7/387, 391, 392, 392.1, 396.1, D7/396.2, 507, 509-511, 538, 629, 900; D3/202, 203.2, 294, 318; D28/91, 91.1
CPC .. A61J 1/00; A61J 1/1412; B65D 1/00; B65D 1/02; B65D 1/10; B65D 1/46; B65D 5/46; B65D 41/00; B65D 41/38; B65D 41/56; B65D 41/62; B65D 47/00; B65D 47/06; B65D 47/08; B65D 2251/00; B65D 2543/00046; B65D 2543/00092; B65D 2543/00296

See application file for complete search history.

(56) **References Cited**

U.S. PATENT DOCUMENTS

D485,759 S * 1/2004 Janky D9/447
D552,926 S * 10/2007 Yelland D7/392.1
D584,566 S * 1/2009 Fuller D7/396.2
D691,416 S * 10/2013 Eyal D9/449
D709,366 S 7/2014 Fleming
D789,737 S * 6/2017 Eyal D7/396.2

D814,236 S * 4/2018 Rolfson D7/392.1
D853,181 S * 7/2019 Stanton D7/392
D856,069 S * 8/2019 Barber D9/443
D857,446 S * 8/2019 Bell D9/443
D858,181 S * 9/2019 Lown D9/452
D865,441 S * 11/2019 Lowette D7/392
D871,132 S * 12/2019 Yao D7/392.1
D881,642 S * 4/2020 Zhang D7/392.1
D886,514 S * 6/2020 Kander D7/392.1
D886,518 S * 6/2020 Li D7/392.1
D897,760 S * 10/2020 Feng D9/453
D899,181 S * 10/2020 Xie D9/443
D899,850 S * 10/2020 Xie D7/392.1
D903,404 S * 12/2020 Bram D7/396.2
D905,499 S * 12/2020 Zhang D7/392.1

* cited by examiner

Primary Examiner — Wendy L Arminio
(74) *Attorney, Agent, or Firm* — ZANIP

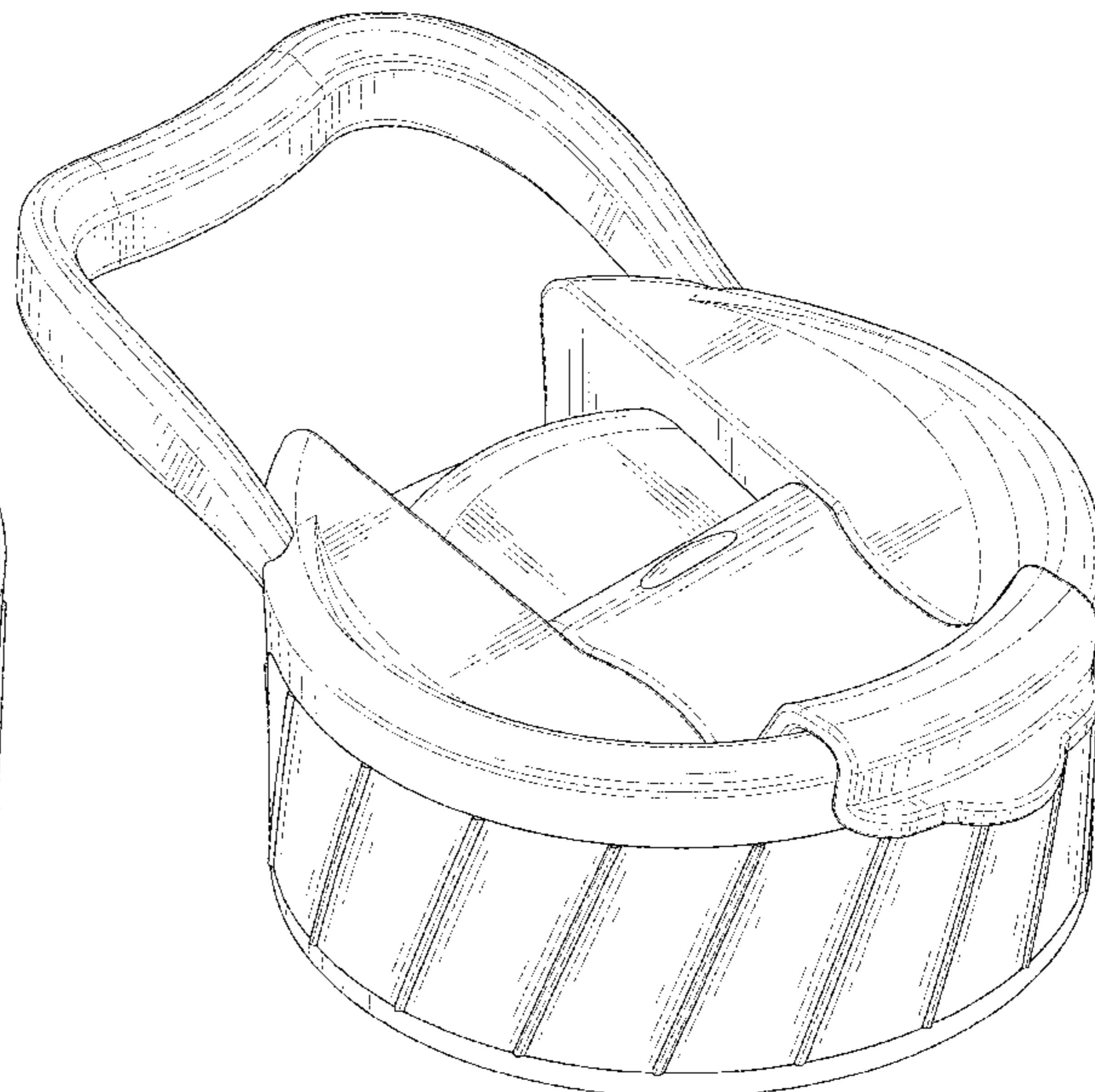
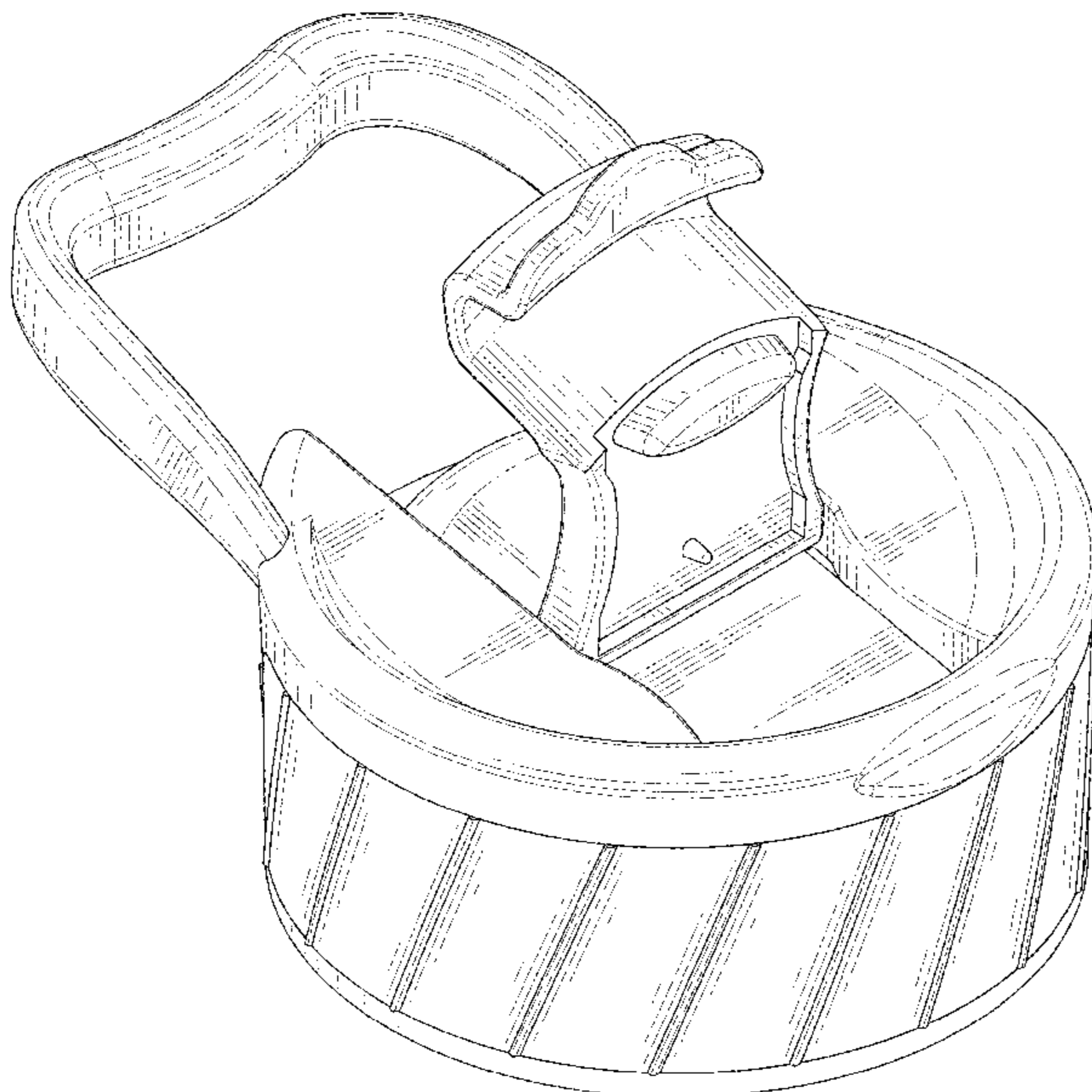
(57) **CLAIM**

The ornamental design for a lid for beverage container, as shown and described.

DESCRIPTION

FIG. 1 is a front and bottom perspective view of a lid for beverage container, showing my new design;
FIG. 2 is a rear and top perspective view thereof;
FIG. 3 is a front elevational view thereof;
FIG. 4 is a rear elevational view thereof;
FIG. 5 is a left side elevational view thereof;
FIG. 6 is a right side elevational view thereof;
FIG. 7 is a top plan view thereof;
FIG. 8 is a bottom plan view thereof; and,
FIG. 9 is a perspective view thereof, showing the lid for beverage container in a closed position.
The broken lines in the figures illustrate portions of the lid for beverage container that form no part of the claimed design.

1 Claim, 9 Drawing Sheets



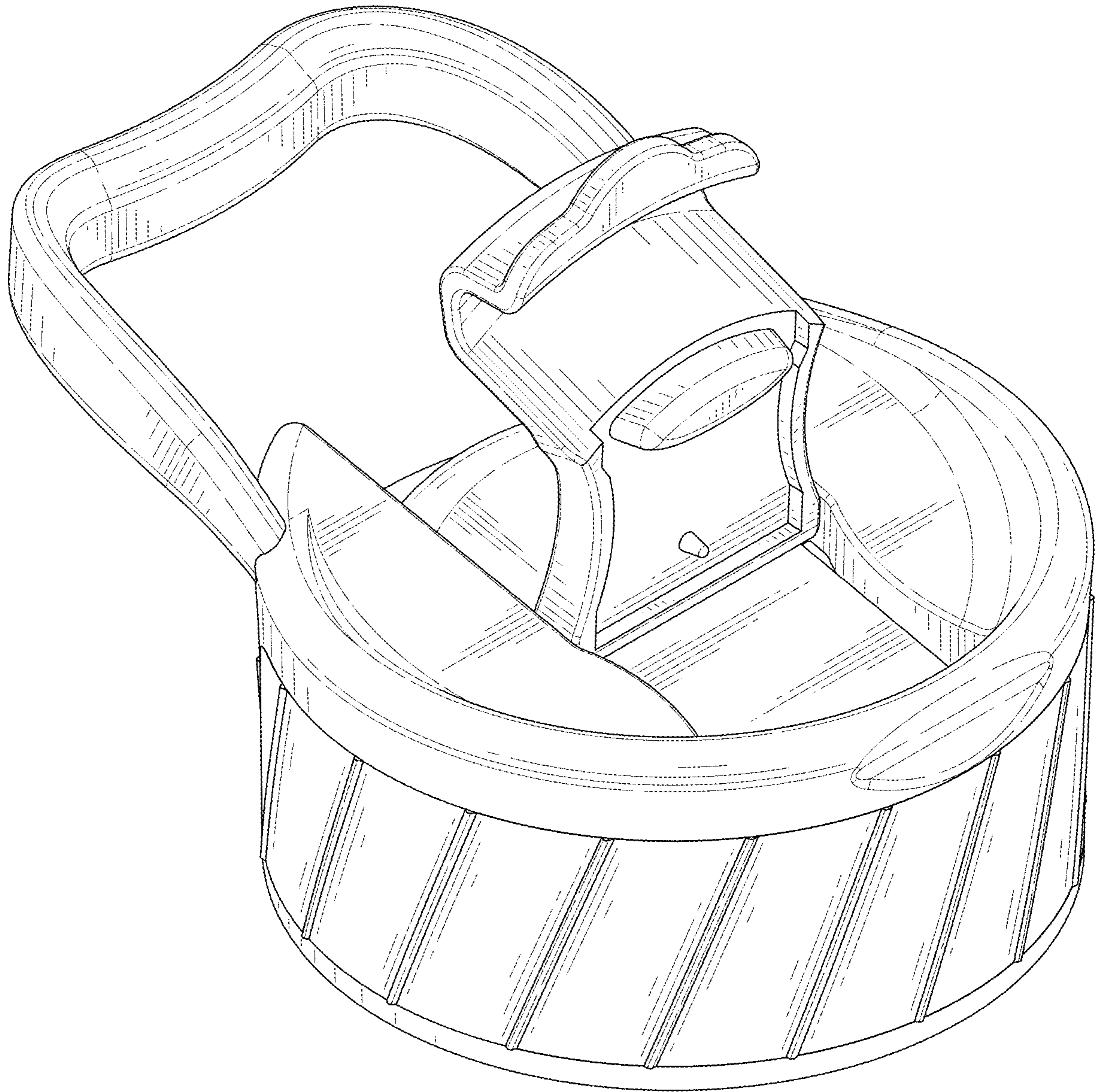


FIG. 1

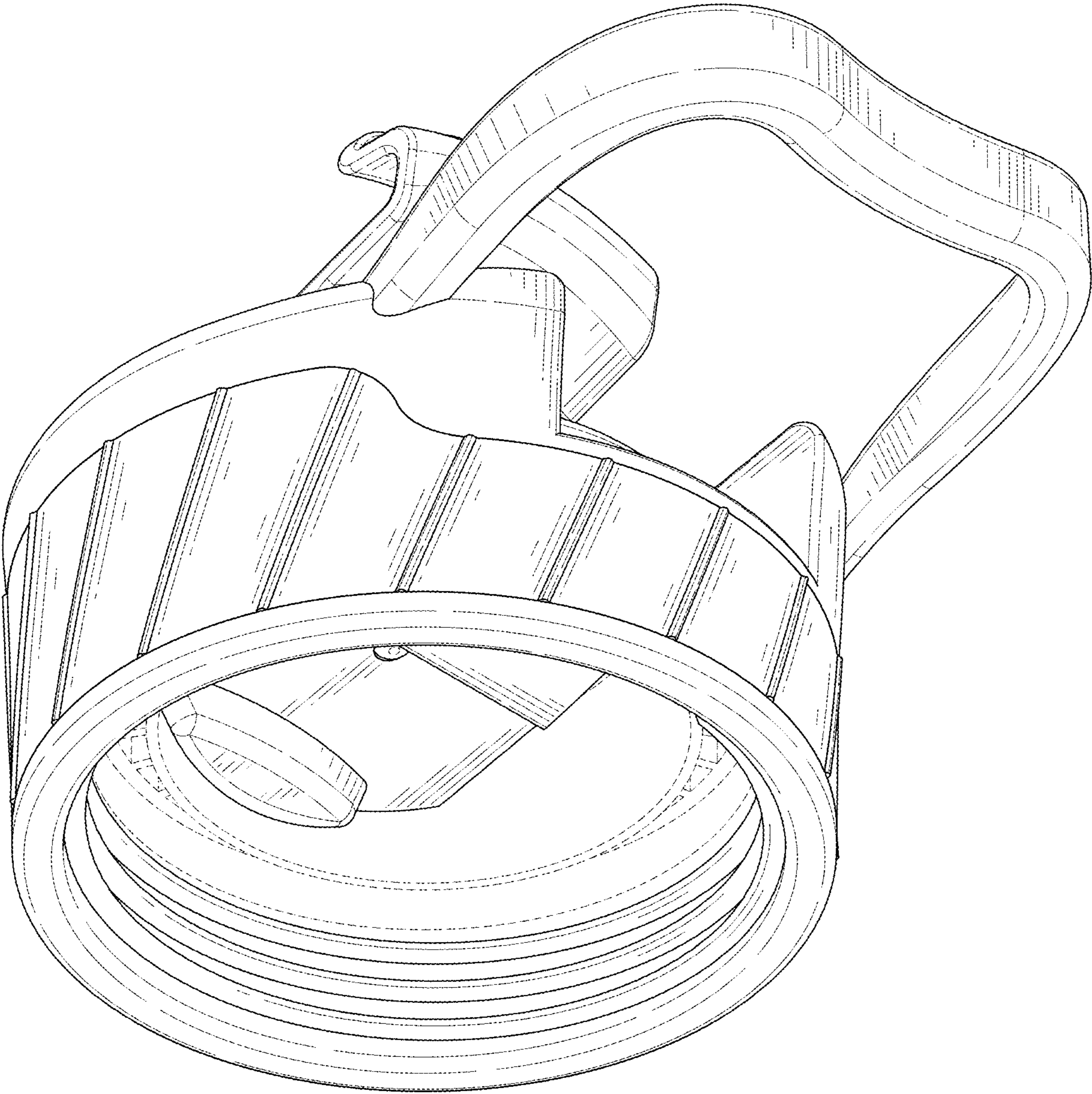


FIG. 2

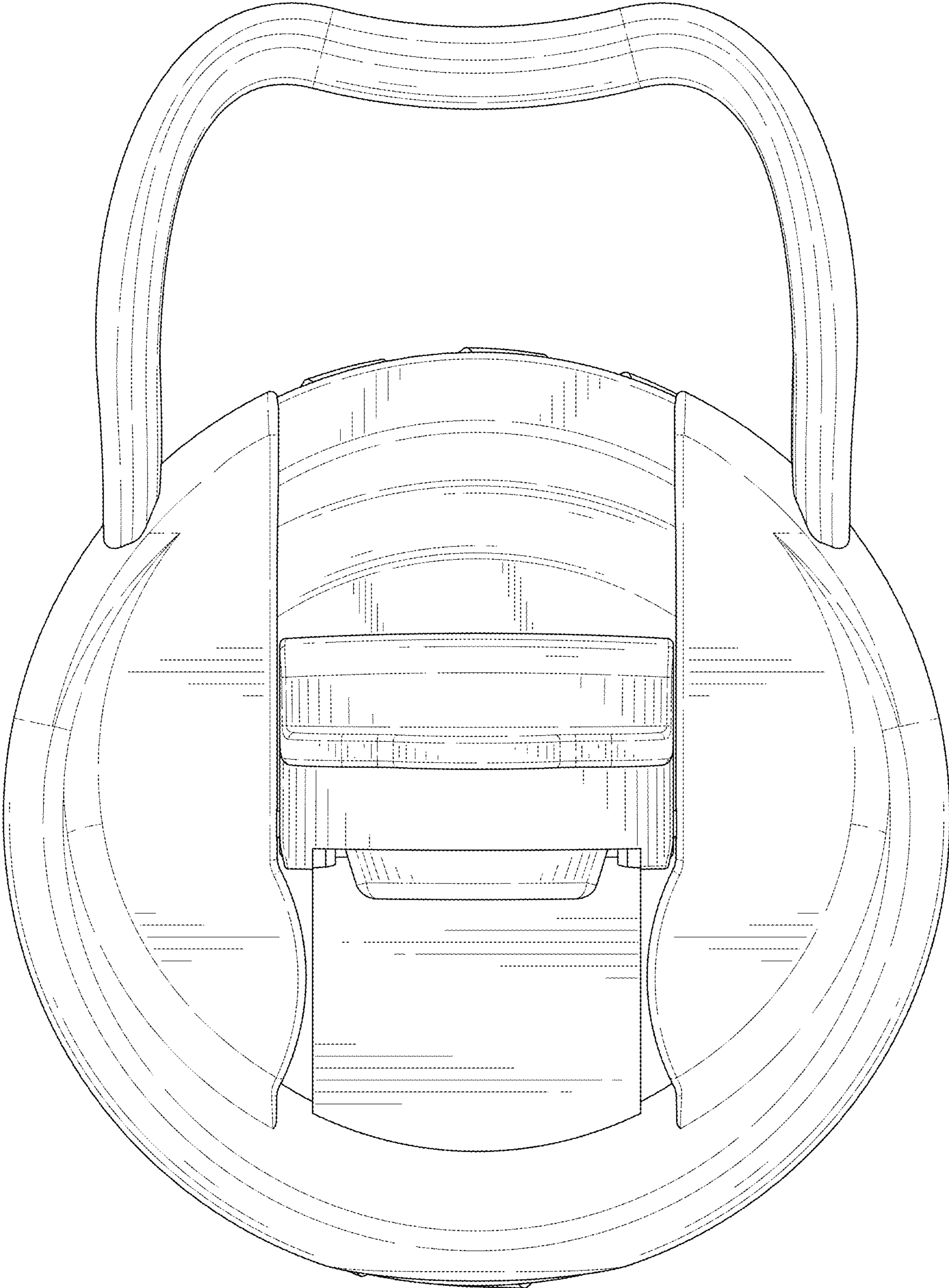


FIG. 3

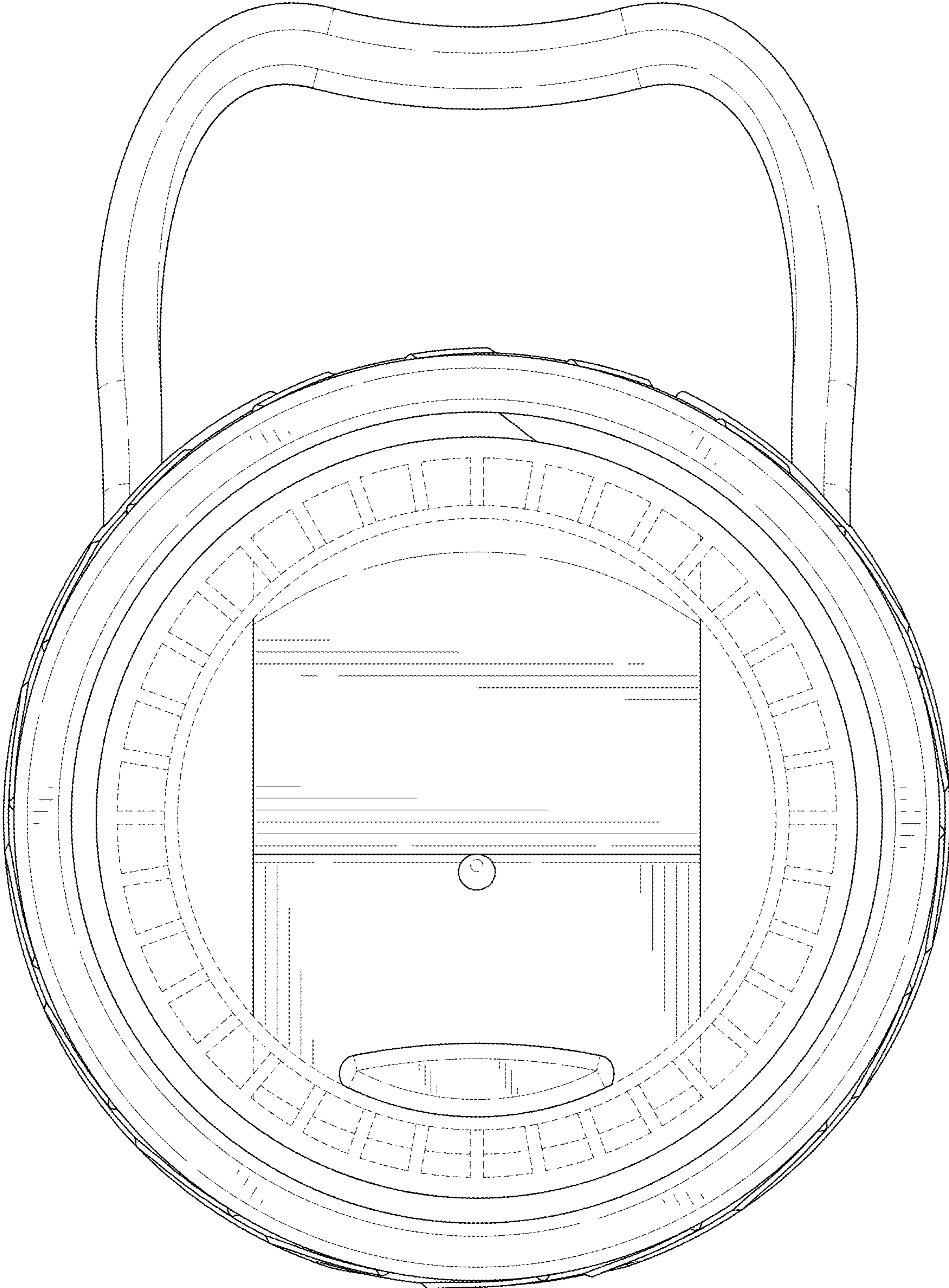


FIG. 4

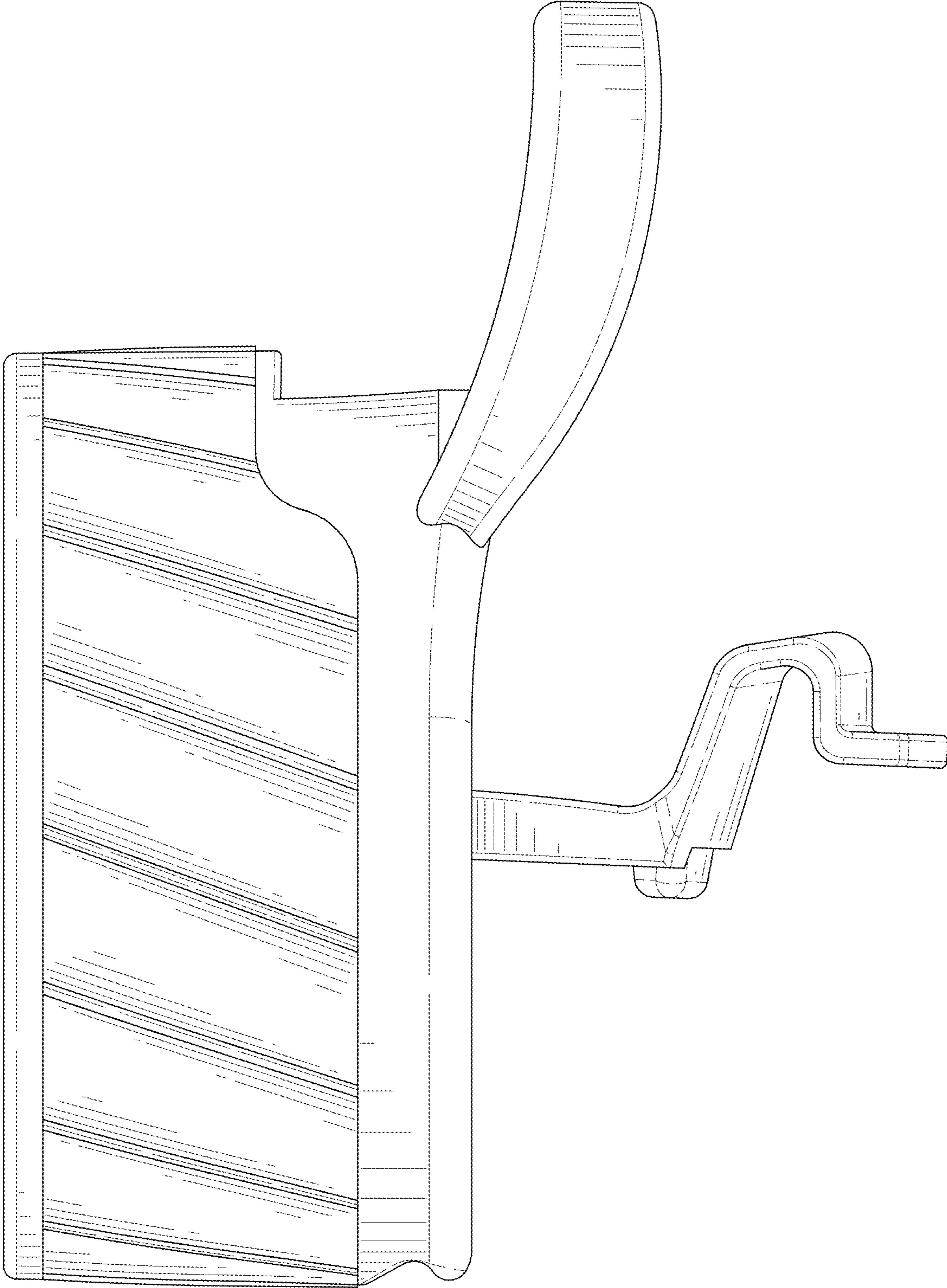


FIG. 5

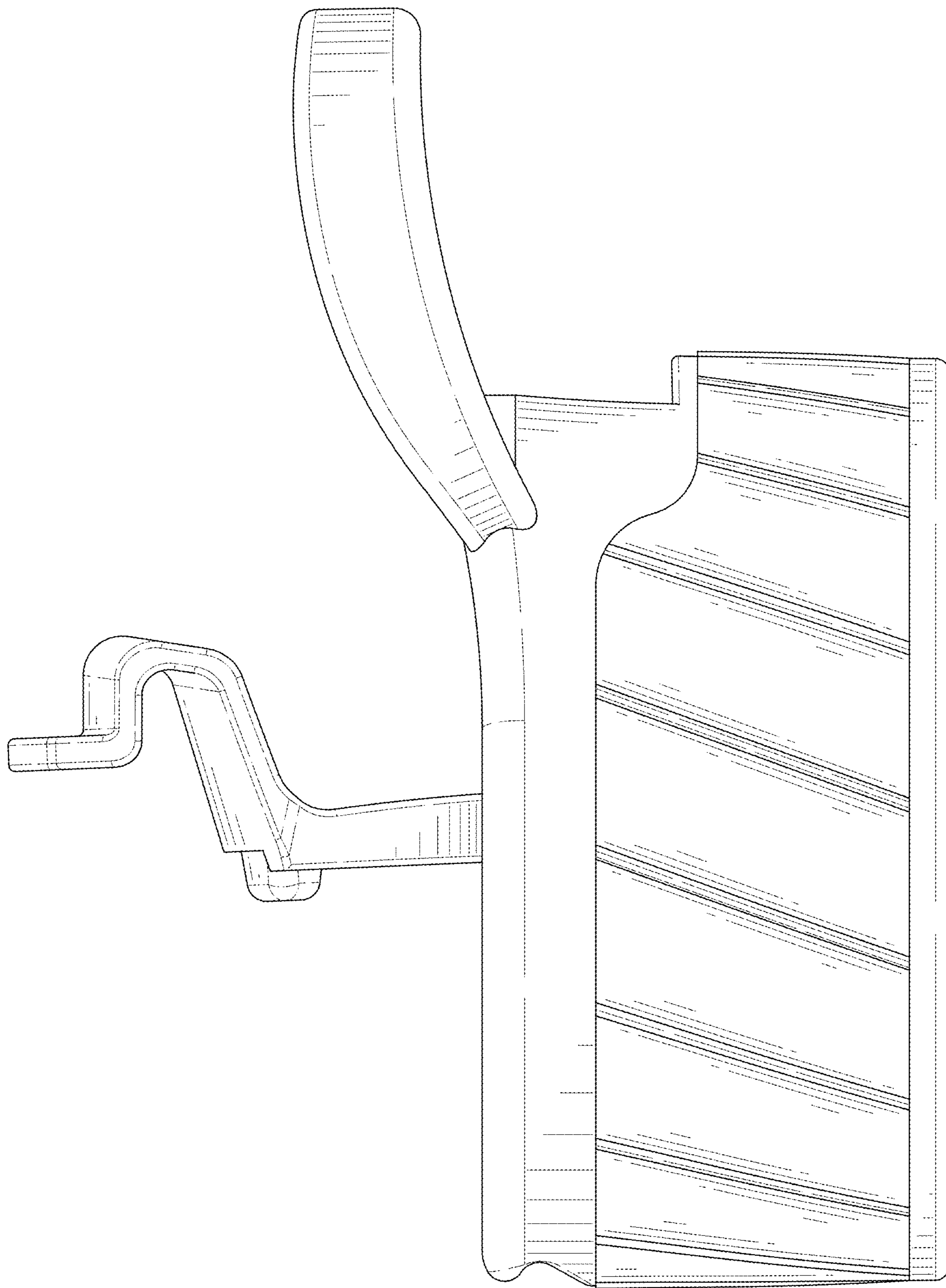


FIG. 6

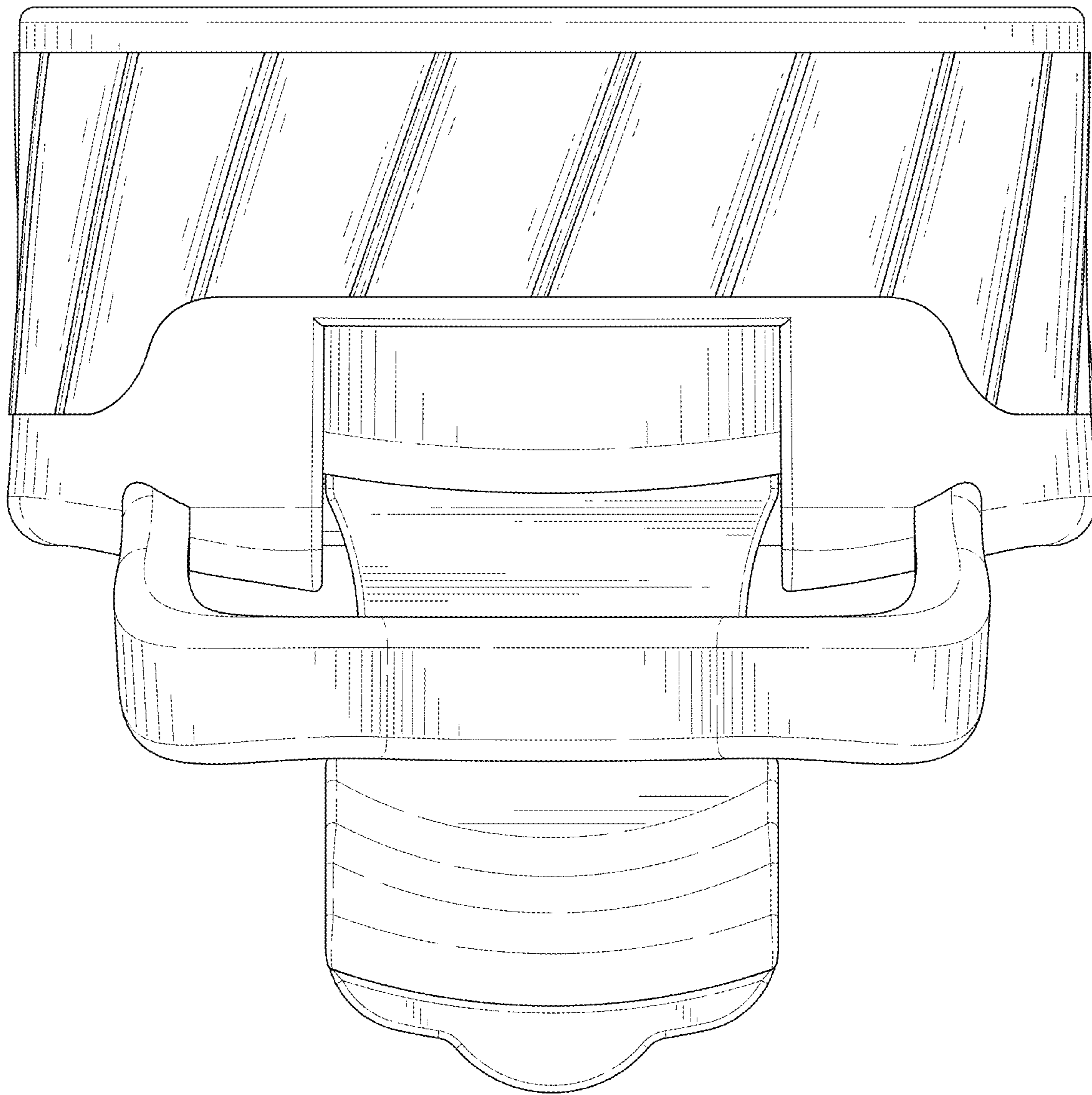


FIG. 7

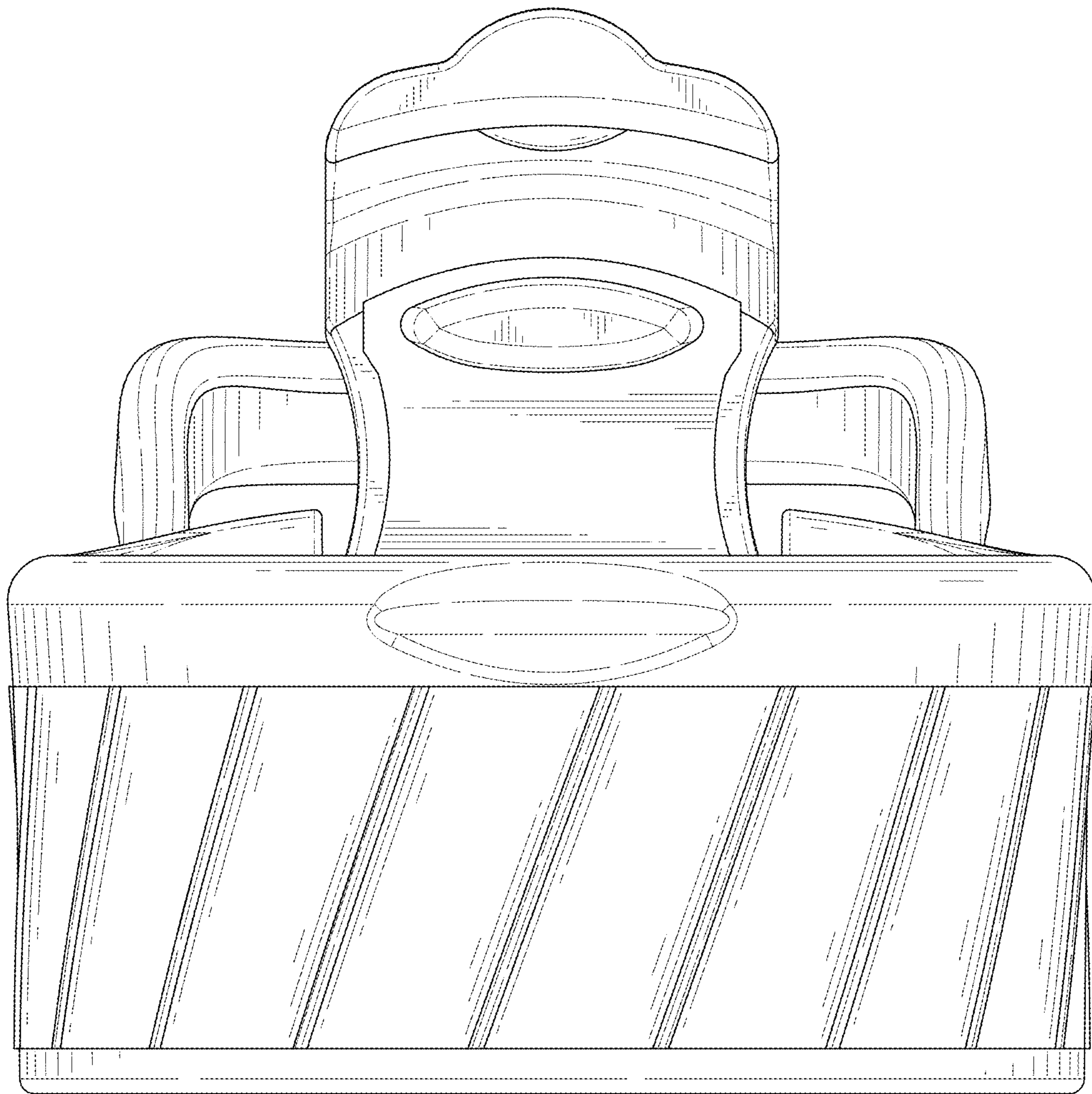


FIG. 8

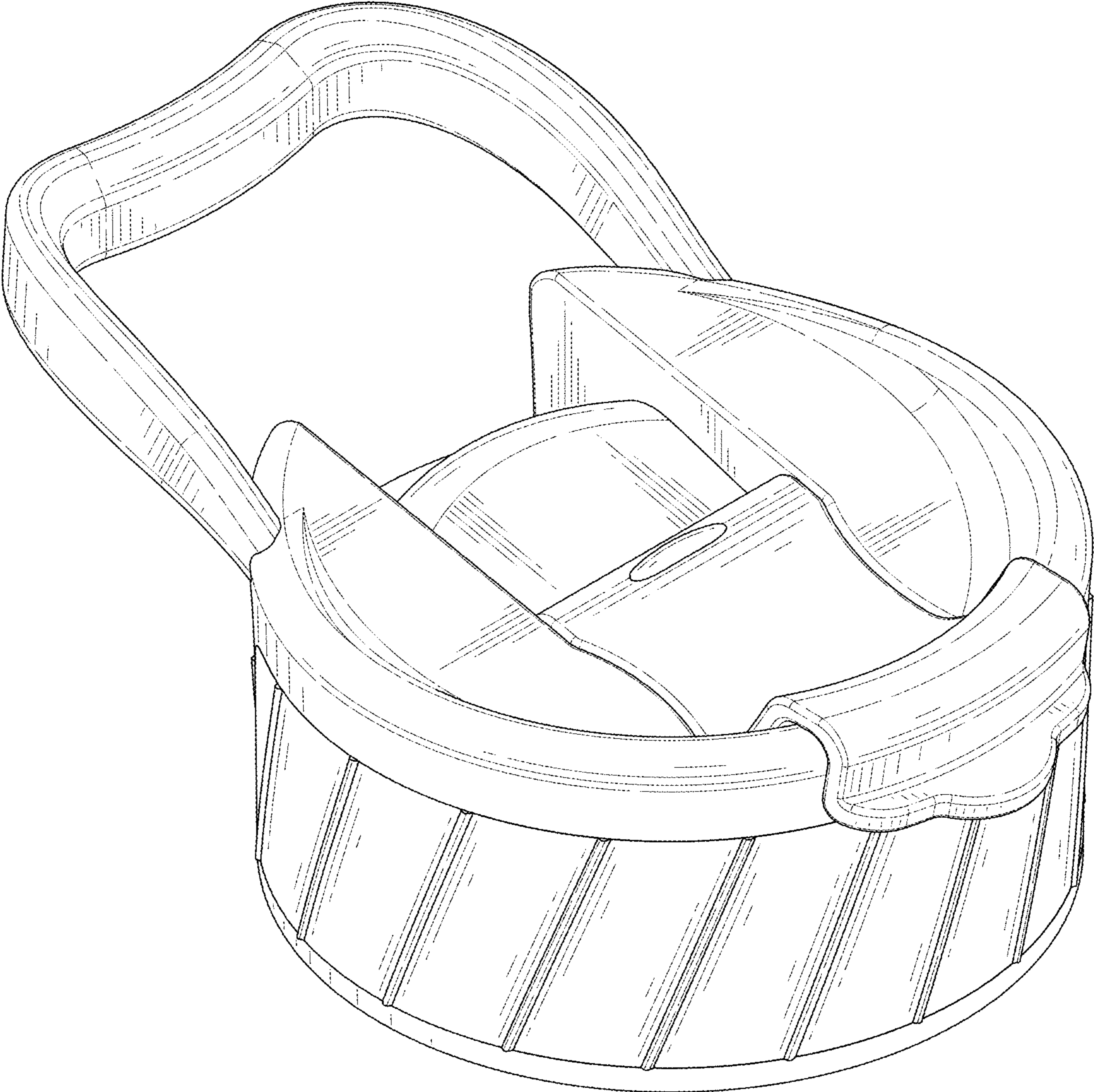


FIG. 9