



US00D911771S

(12) **United States Design Patent**
Zhang

(10) **Patent No.:** **US D911,771 S**

(45) **Date of Patent:** **** Mar. 2, 2021**

(54) **VACUUM BOTTLE LID WITH HANDLE**

(71) Applicant: **Yongkang Qiqing Industry and Trade Co., Ltd., Jinhua (CN)**

(72) Inventor: **Bo Zhang, Gongxian (CN)**

(**) Term: **15 Years**

(21) Appl. No.: **29/738,957**

(22) Filed: **Jun. 22, 2020**

(30) **Foreign Application Priority Data**

Apr. 20, 2020 (CN) 202030160250.8

(51) **LOC (13) Cl.** **07-01**

(52) **U.S. Cl.**
USPC **D7/392.1; D7/396.2; D9/443**

(58) **Field of Classification Search**
USPC D7/507, 509, 510, 511, 513, 529, 531, D7/532, 523, 533, 534, 535, 536, 392.1, D7/396.1, 396.2, 300.1, 608, 300, 320, D7/624.1, 624.2; D3/202; D9/501, 502, D9/503, 504, 530, 529, 522, 554, 567, D9/571, 569, 449, 516, 523, 524, 543, D9/565, 575, 556, 443, 450
CPC A47G 19/22; A47G 19/2288; A47G 19/2205; A47G 19/2211; A47J 41/0077; A45F 3/16

See application file for complete search history.

(56) **References Cited**

U.S. PATENT DOCUMENTS

D577,287 S * 9/2008 Haltom, III D9/436
D608,195 S 1/2010 Germann
D616,743 S * 6/2010 Cresswell D9/443
D620,357 S * 7/2010 Jewett D9/443
D669,732 S * 10/2012 Hopkins D7/392.1
D683,581 S * 6/2013 Archer D7/392.1
D720,218 S 12/2014 Hutson et al.
D758,859 S * 6/2016 Sorensen D9/443

D786,012 S * 5/2017 Hein D7/396.2
D793,236 S * 8/2017 Santos D9/503
D806,468 S * 1/2018 Goodwin D7/392.1
D814,852 S * 4/2018 Melanson D7/391
D849,482 S * 5/2019 Diener D7/510
D853,236 S * 7/2019 Yao D9/436
D853,237 S * 7/2019 Yao D9/436
D856,748 S * 8/2019 Rane D7/392.1
D857,446 S 8/2019 Bell et al.
D860,715 S * 9/2019 Bohman D7/392
D862,228 S * 10/2019 Yao D9/443
D872,524 S * 1/2020 Bo D7/392.1
D875,466 S * 2/2020 Diener D7/396.2
D880,230 S 4/2020 Jacobsen
D885,823 S * 6/2020 Ayres D7/392

(Continued)

OTHER PUBLICATIONS

https://www.amazon.com/Hydro-Flask-Skyline-Water-Bottle/dp/B07MZCFDCR/ref=sr_1_206?dchild=1&keywords=sports+bottle+cap&qid=1602083745&sr=8-206 (Year: 2019).*

Primary Examiner — Jae Liang
(74) *Attorney, Agent, or Firm* — Runit Ranjit Kanakia

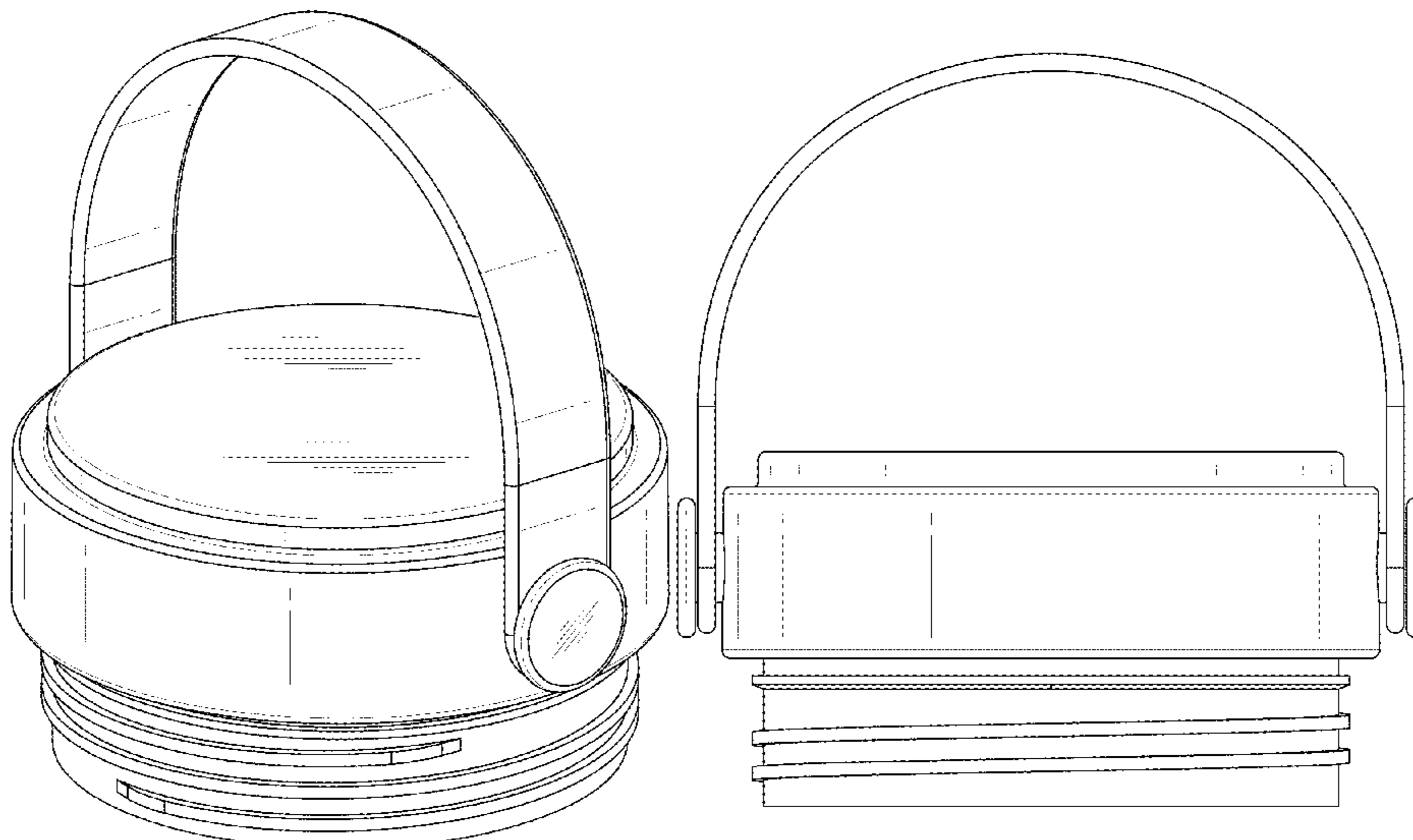
(57) **CLAIM**

I claim the ornamental design for a vacuum bottle lid with handle, as shown and described.

DESCRIPTION

FIG. 1 is a Perspective view of a vacuum bottle lid with handle showing my new design;
FIG. 2 is another Perspective view thereof;
FIG. 3 is a Front view thereof;
FIG. 4 is a Back view thereof;
FIG. 5 is a Right-side view thereof;
FIG. 6 is a Left-side view thereof;
FIG. 7 is a Top view thereof; and,
FIG. 8 is a Bottom view thereof.
The broken lines are for the purpose of illustrating portions of the article that form no part of the claim.

1 Claim, 8 Drawing Sheets



(56)

References Cited

U.S. PATENT DOCUMENTS

D885,837	S	*	6/2020	Bo	D7/510
D886,517	S	*	6/2020	Bo	D7/392.1
D887,776	S	*	6/2020	Bo	D7/392.1
D893,245	S	*	8/2020	Zhang	D7/392.1
D894,671	S	*	9/2020	Huang	D7/392.1
D894,672	S	*	9/2020	Huang	D7/392.1
D897,761	S	*	10/2020	Zhang	D7/392.1
D900,539	S	*	11/2020	Yao	D7/392.1
D903,405	S	*	12/2020	Zhang	D7/392.1
D904,109	S	*	12/2020	Yao	D7/392.1
D905,499	S	*	12/2020	Zhang	D7/392.1
D906,042	S	*	12/2020	Chen	D7/392.1
2016/0318693	A1	*	11/2016	Hein	B65D 51/242

* cited by examiner

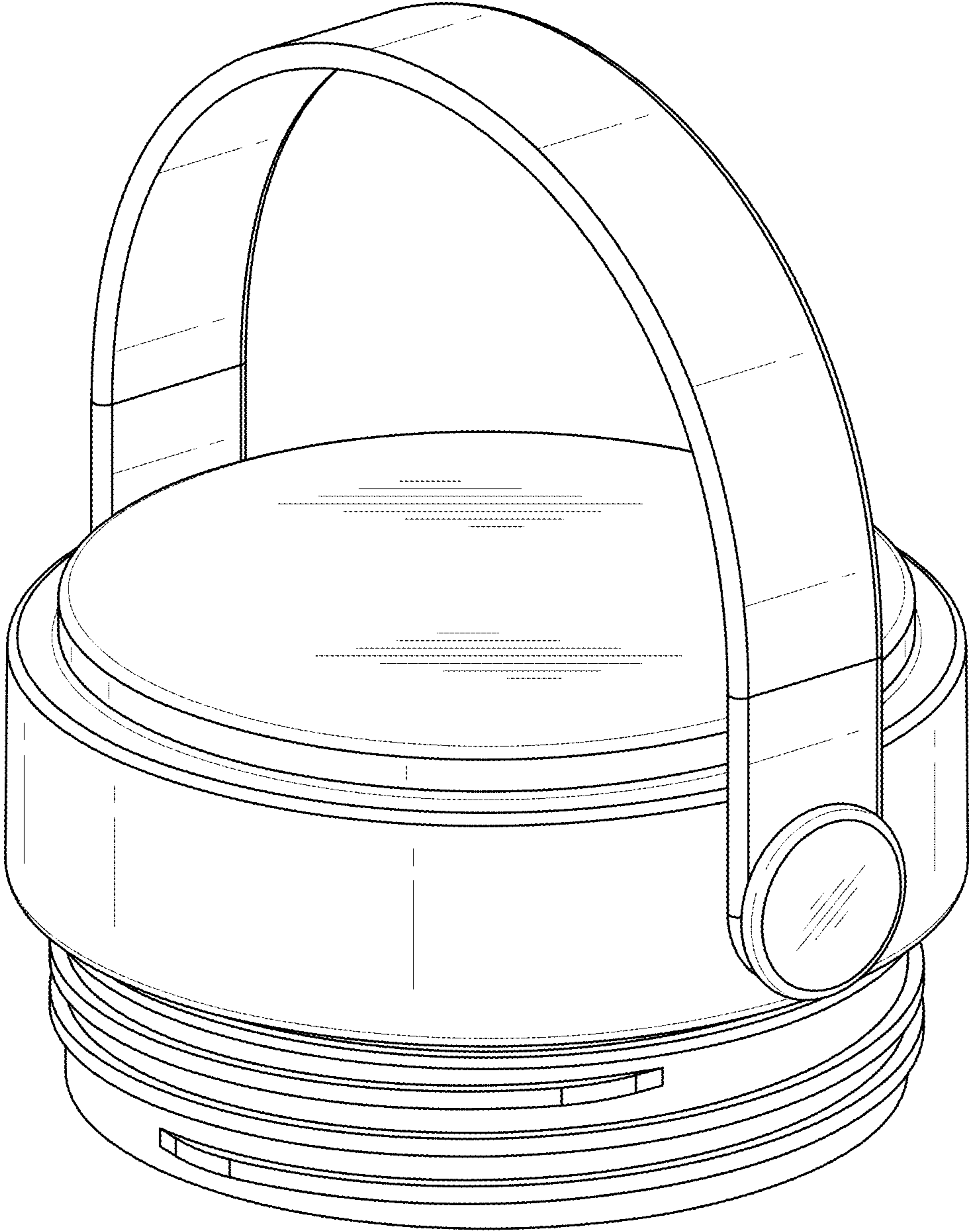


FIG. 1

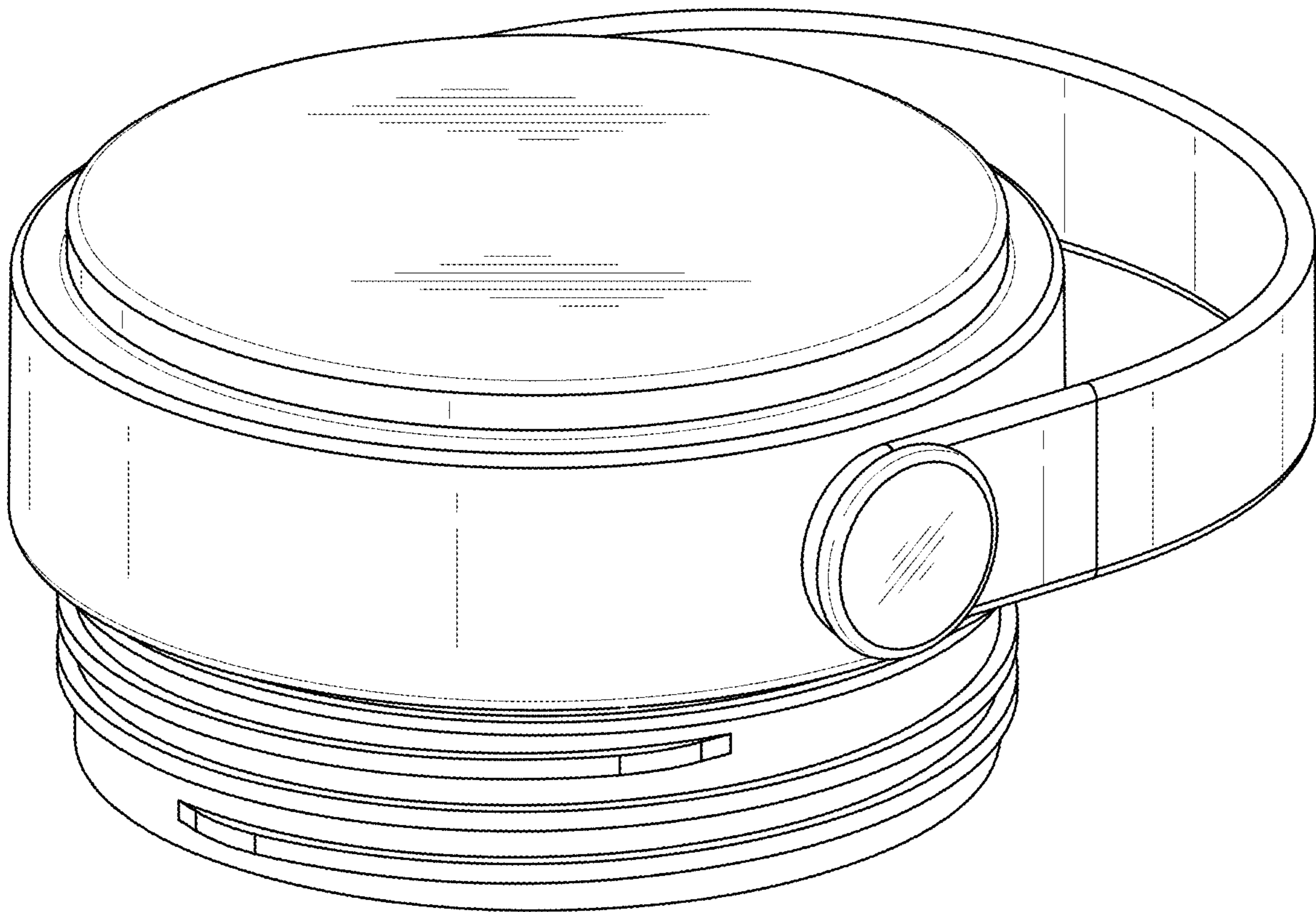


FIG. 2

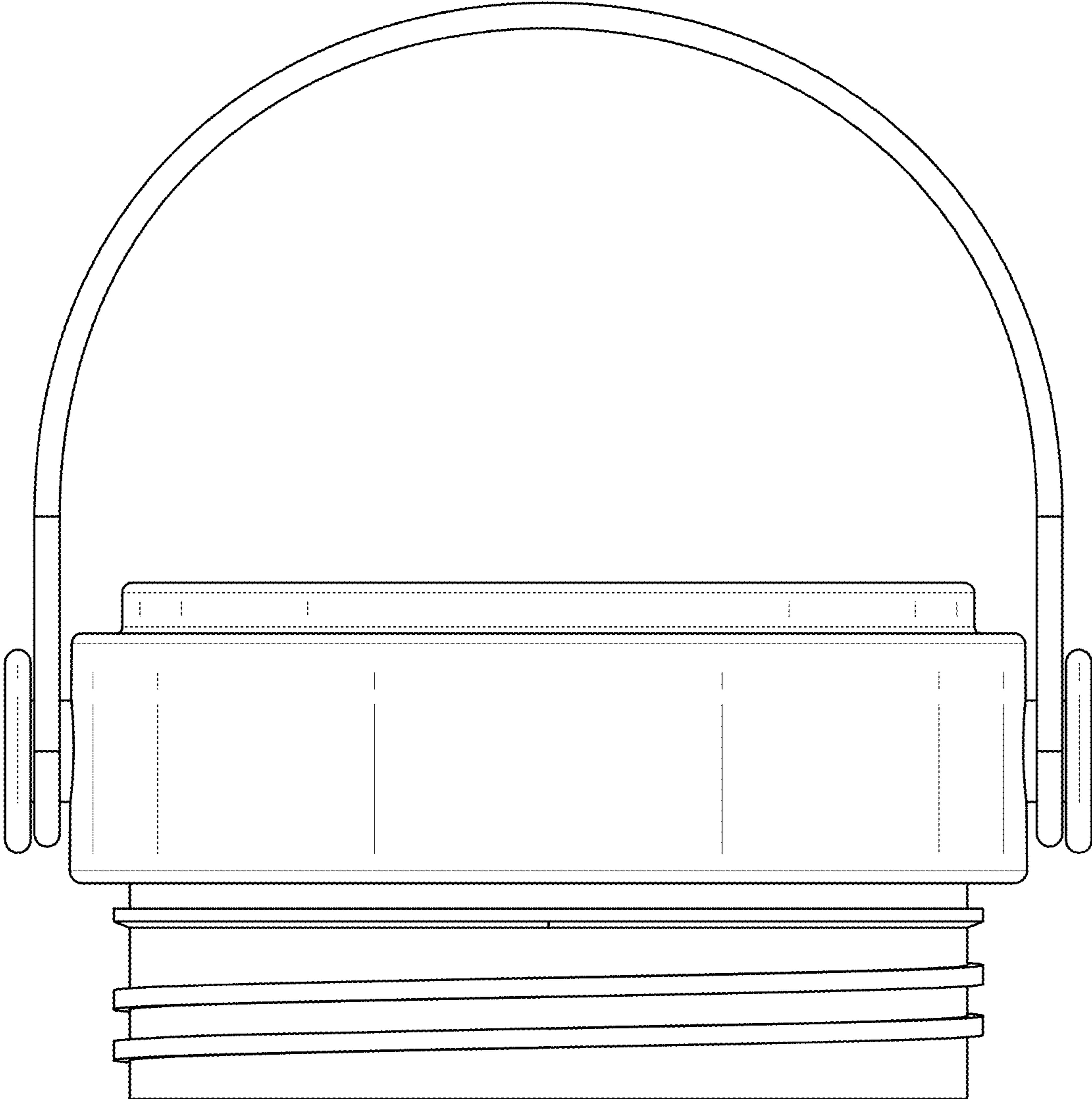


FIG. 3

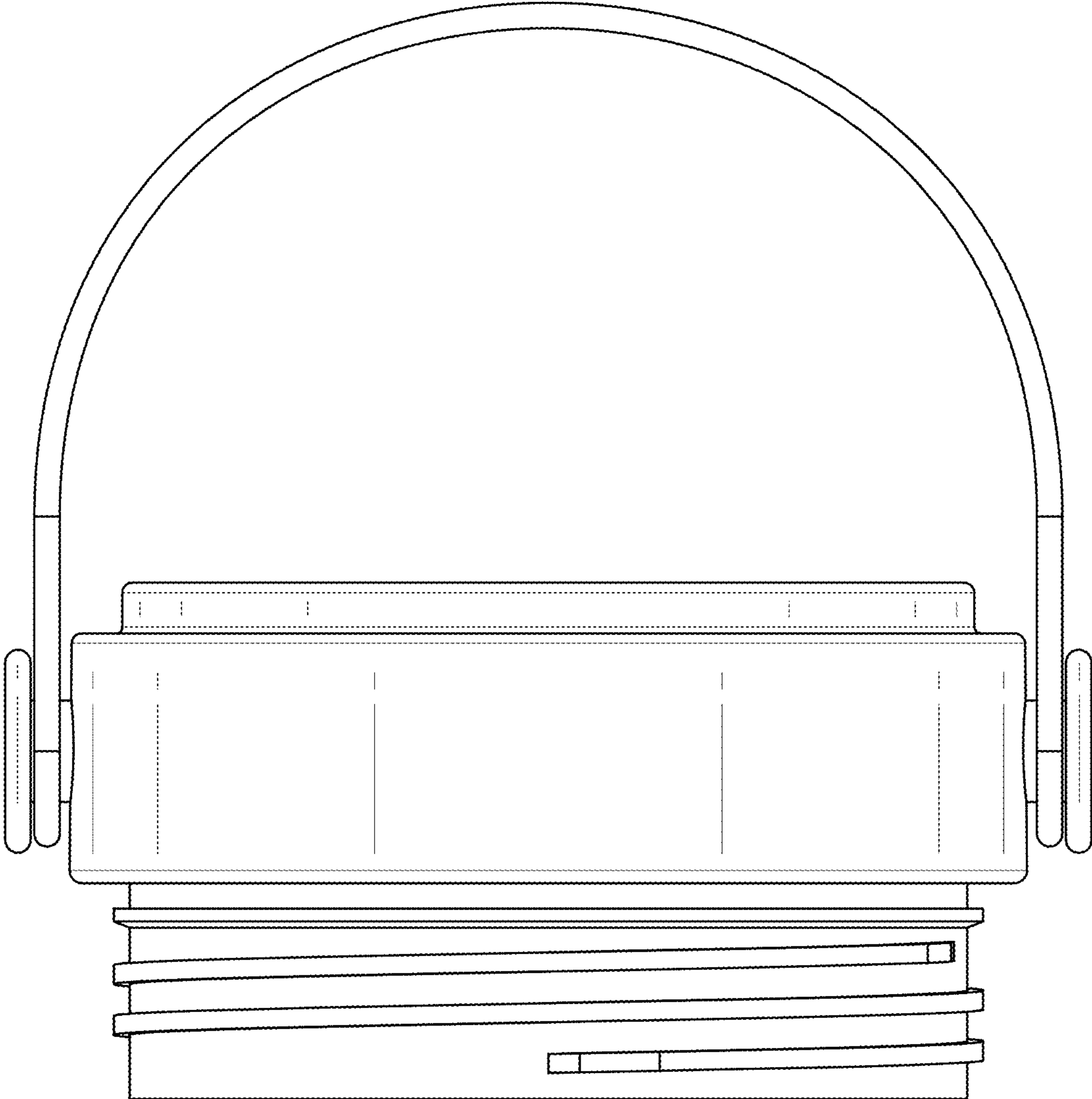


FIG. 4

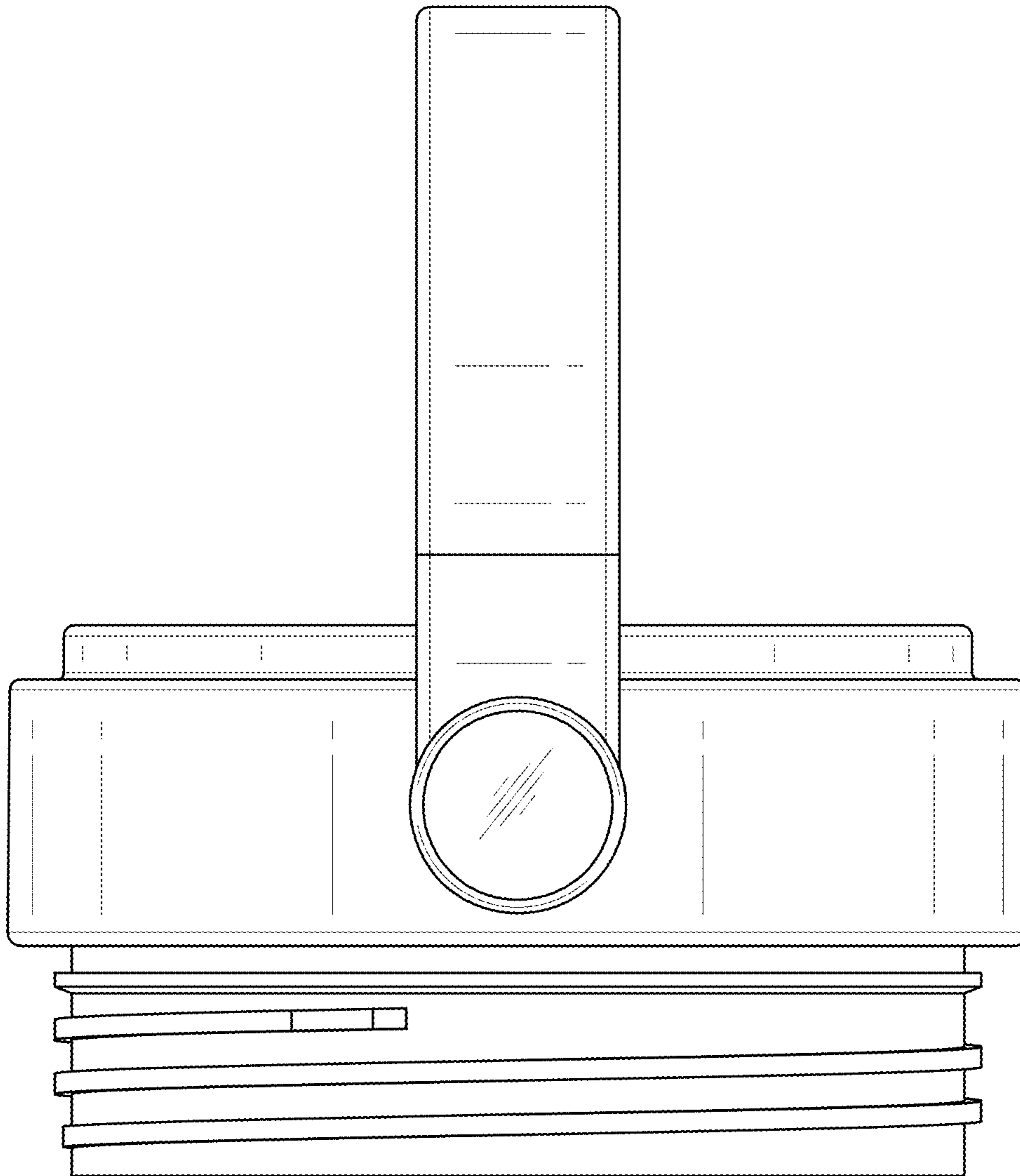


FIG. 5

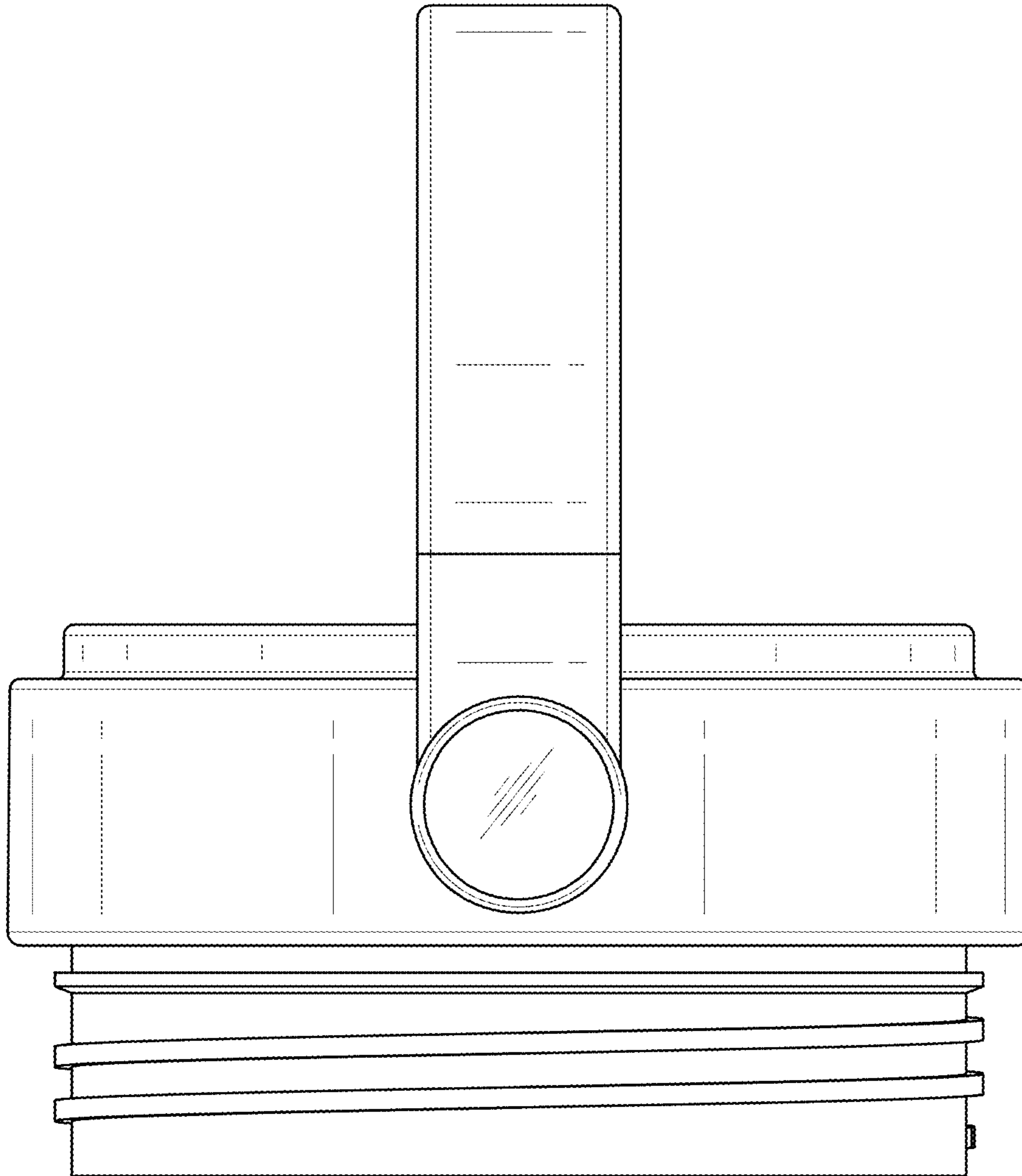


FIG. 6

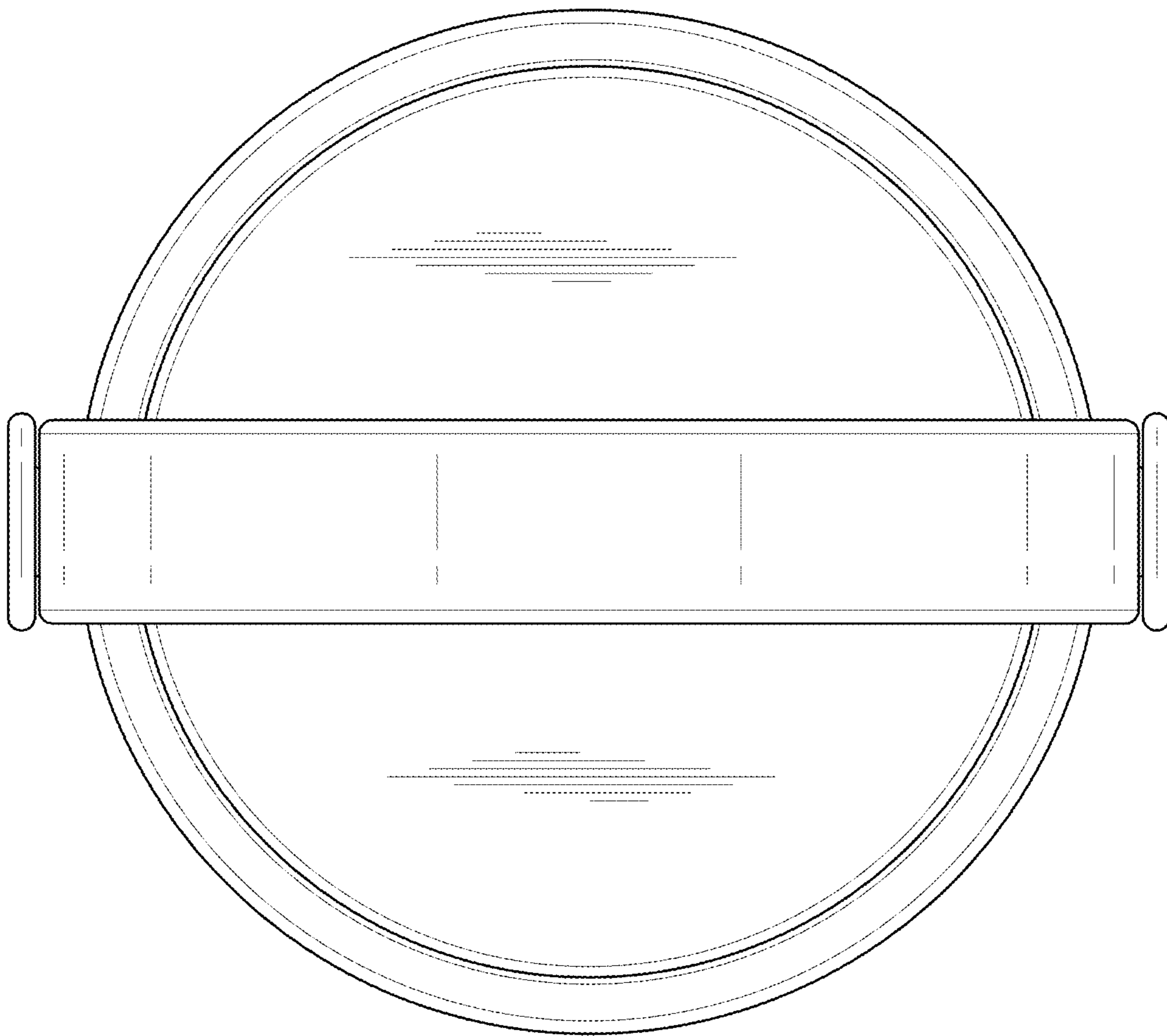


FIG. 7

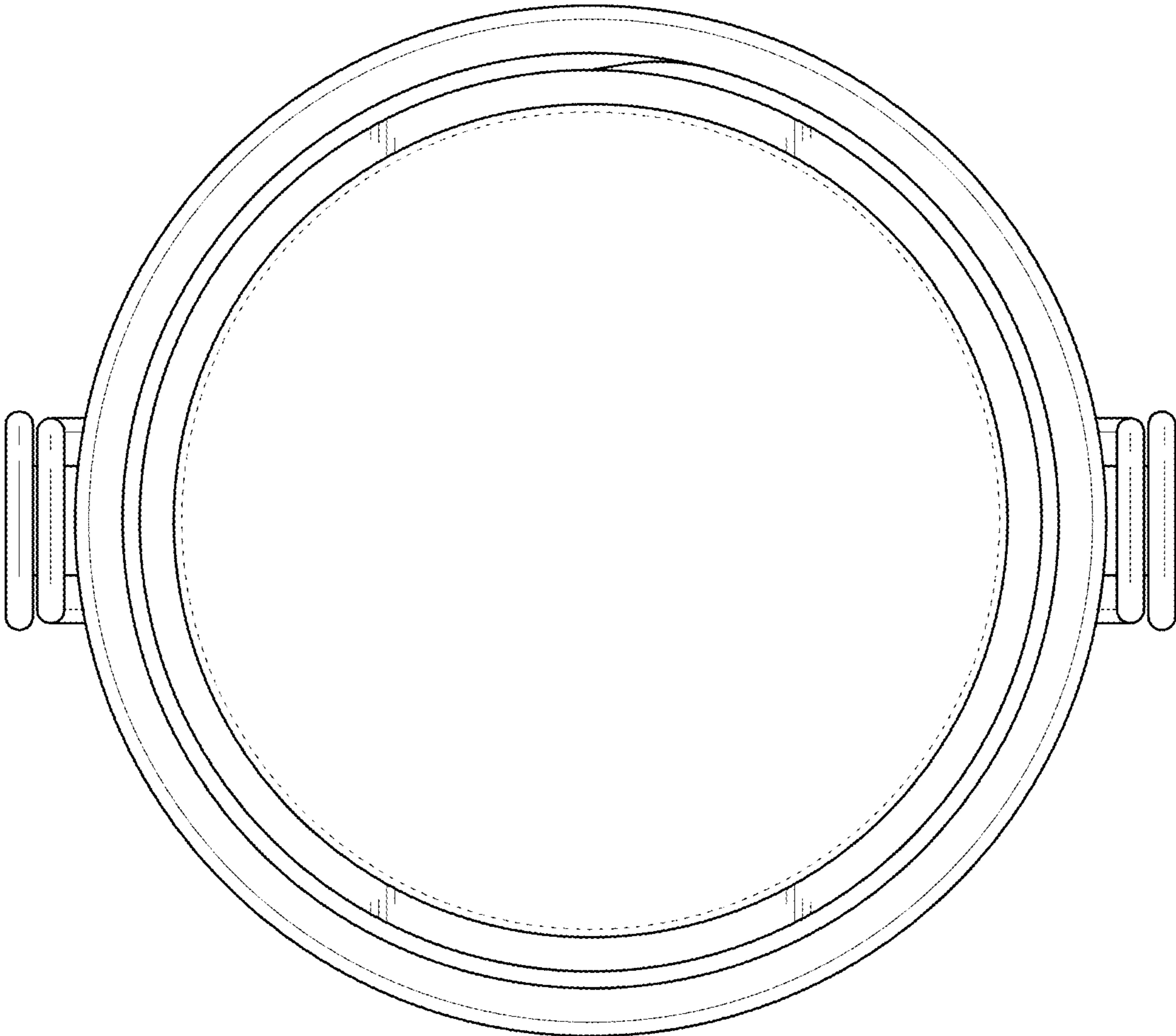


FIG. 8