



US00D911769S

(12) **United States Design Patent** (10) **Patent No.:** **US D911,769 S**
McCabe et al. (45) **Date of Patent:** **** Mar. 2, 2021**

(54) **BEVERAGE CONTAINER LID**
(71) Applicant: **Leapfrog Product Development LLC**,
Chicago, IL (US)
(72) Inventors: **Micaela K. McCabe**, Chicago, IL (US);
Steven N. Pinelli, Ogden Dunes, IN
(US); **Jingyan Wang**, Harbin (CN);
Glen C. Gilmore, III, Naperville, IL
(US); **Brian M. Clemens**, Burnsville,
MN (US); **Richard E. Ellison**,
Chicago, IL (US); **Kurtis M. Sward**,
Anna Maria, FL (US)
(73) Assignee: **Leapfrog Product Development LLC**,
Chicago, IL (US)
(**) Term: **15 Years**
(21) Appl. No.: **29/692,803**
(22) Filed: **May 29, 2019**
(51) **LOC (13) Cl.** **07-01**
(52) **U.S. Cl.**
USPC **D7/392.1**
(58) **Field of Classification Search**
USPC D7/391, 392, 392.1, 396.1, 396.2, 397,
D7/509, 510, 543, 629; D9/435, 443,
D9/447, 449, 516
CPC B65D 47/305; B65D 47/2037
See application file for complete search history.

D515,357 S 2/2006 Ward et al.
D528,862 S 9/2006 Li
D533,061 S 12/2006 Li
D564,841 S 3/2008 Clemens et al.
D579,722 S 11/2008 Sakulsacha et al.
D581,727 S 12/2008 Pinelli et al.
D592,456 S 5/2009 Pinelli et al.
D592,905 S 5/2009 Pinelli et al.
D592,913 S 5/2009 Pinelli et al.

(Continued)

OTHER PUBLICATIONS

“ZULU Ace Water Bottle with Removable Base”. Found online Jun. 22, 2020 at amazon.com. Reference dated Sep. 8, 2018. Retrieved from <https://www.amazon.com/ZULU-Stainless-Vacuum-Insulated-Removable/dp/B07DHX11RW>.*

(Continued)

Primary Examiner — Kendra Leslie Hamilton
(74) *Attorney, Agent, or Firm* — Barnes & Thornburg LLP

(57) **CLAIM**

We claim the ornamental design for a beverage container lid, as shown and described.

DESCRIPTION

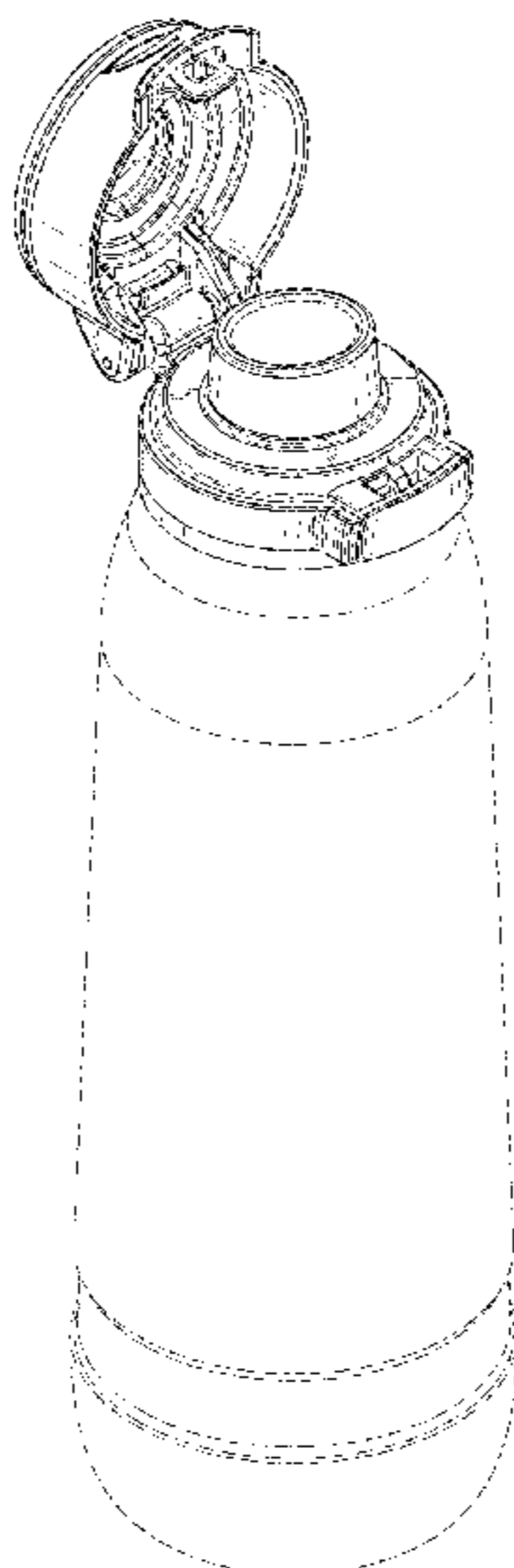
FIG. 1 is a top, front, left perspective view of a beverage container lid, showing our new design in a condition for use. FIG. 2 is a bottom, rear, left perspective view thereof. FIG. 3 is a front elevation view thereof. FIG. 4 is a rear elevation view thereof. FIG. 5 is a right side elevation view thereof. FIG. 6 is a left side elevation view thereof. FIG. 7 is a top plan view thereof; and, FIG. 8 is a bottom plan view thereof. The broken lines in the drawings depict portions of the beverage container lid that form no part of the claimed design.

1 Claim, 8 Drawing Sheets

(56) **References Cited**

U.S. PATENT DOCUMENTS

5,007,555 A * 4/1991 Beck B65D 47/0809
215/235
D364,810 S 12/1995 Meisner
D374,399 S * 10/1996 Neveras D9/442
D471,455 S 3/2003 Laveault et al.
D485,132 S 1/2004 Ohno et al.
D505,294 S 5/2005 Gauss
D508,185 S 8/2005 Gauss



(56)

References Cited

OTHER PUBLICATIONS

U.S. PATENT DOCUMENTS

7,546,933 B2 6/2009 Pinelli
 D609,964 S 2/2010 Lane
 D643,249 S 8/2011 Miller et al.
 7,997,442 B2 8/2011 Pinelli
 D655,580 S 3/2012 Kotani
 D656,787 S 4/2012 Phillips et al.
 D661,945 S 6/2012 Eyal
 D675,060 S 1/2013 Lane
 8,360,267 B1 1/2013 Chiou et al.
 D686,871 S 7/2013 Lane
 D693,629 S 11/2013 Miller
 D693,630 S 11/2013 Hurley et al.
 8,579,133 B2 11/2013 Marcus et al.
 8,590,731 B2 11/2013 Pinelli
 D700,012 S 2/2014 Hurley et al.
 D700,802 S 3/2014 Miller
 D713,724 S * 9/2014 den Boer D9/449
 8,978,906 B2 3/2015 Feeley et al.
 D725,966 S 4/2015 Boroski et al.
 D739,174 S * 9/2015 Elsaden D7/392.1
 D739,183 S 9/2015 Lane
 9,266,643 B2 2/2016 Marcus et al.
 9,282,838 B2 * 3/2016 Sims B65D 41/04
 D758,189 S 6/2016 Roth et al.
 D758,790 S 6/2016 Boroski
 D780,578 S 3/2017 Lane et al.
 D785,402 S 5/2017 Shirley et al.
 D793,804 S 8/2017 Herbst et al.
 D794,453 S 8/2017 Boroski et al.
 D795,011 S 8/2017 Pisarevsky
 D799,898 S 10/2017 Yao
 D802,993 S 11/2017 Joseph et al.
 D804,903 S 12/2017 Mason et al.
 D804,904 S 12/2017 Noveletsky et al.
 D808,220 S 1/2018 Burns et al.
 D809,384 S 2/2018 Best et al.
 D814,398 S 4/2018 Yasunaga
 D815,901 S * 4/2018 Steinmann D7/510
 D817,713 S 5/2018 Lin
 D818,767 S 5/2018 Nezu
 D821,136 S 6/2018 Silsby et al.
 D821,137 S 6/2018 Boroski
 D821,815 S 7/2018 Chung
 D822,427 S 7/2018 Sorensen et al.
 D831,425 S 10/2018 Best et al.
 D831,433 S 10/2018 Fleischhut
 D835,939 S 12/2018 Yee et al.
 D839,044 S 1/2019 Potter et al.
 D848,787 S 5/2019 Tatsukawa et al.
 D853,181 S 7/2019 Stanton
 D853,784 S 7/2019 Wu
 D865,457 S 11/2019 Kotani
 D869,230 S 12/2019 Hao
 D870,509 S 12/2019 Bo
 D878,854 S * 3/2020 Lee D7/392.1
 D885,124 S * 5/2020 Yessin D7/396.2
 2004/0217139 A1 * 11/2004 Roth B65D 47/243
 224/148.7
 2007/0251949 A1 * 11/2007 Barre B65D 47/0871
 220/890
 2010/0314349 A1 * 12/2010 Chen B65D 51/16
 215/316
 2011/0089059 A1 4/2011 Lane et al.
 2012/0145713 A1 * 6/2012 Jung A47J 41/0011
 220/254.3
 2012/0312832 A1 12/2012 Lane
 2014/0339177 A1 11/2014 Lane
 2015/0225141 A1 * 8/2015 Mackenzie B65D 43/16
 215/237
 2015/0282654 A1 10/2015 Kurabe et al.
 2017/0297785 A1 10/2017 Maruyama et al.

“Tupperware Flip Top Quick Quench Sports Bottle”. Found online Jun. 7, 2017 at amazon.co.uk. Reference dated Mar. 13, 2014. Retrieved from <https://www.amazon.co.uk/Tupperware-Sports-Bottle-Quick-Quench/dp/B004AXT9QE>.*
 “Brita Fill & Go Vital: Smart Way to Stay Hydrated”. Found online Jun. 29, 2017 at houseofhome.com. Reference dated Mar. 29, 2016. Retrieved from <https://www.houseofhome.com.au/blog/brita-fill-and-go>.*
<https://www.zuluathletic.com/shop-all/atlas-glass-water-bottle>.
<https://waterbottles.com/kor-vida-bottle-25-oz>.
<https://www.thermos.com/genuine-thermos-brand-hydration-bottle-with-rotating-intake-meter-24oz.html>.
<https://www.thermos.com/genuine-thermos-brand-shaker-bottle-with-integrated-mixer-24oz-clear-green-accent.html>.
<https://www.tervis.com/turtle-sunset-stainless-steel-24oz-stainless-water-bottle-1362572.html>.
<https://www.swell.com/shop/swell/bottles/>.
<http://www.pogogear.com/32oz-tritan-straw>.
<http://www.pogogear.com/32oz-tritan-chug>.
<http://www.pogogear.com/18oz-tritan-chug>.
<https://www.elloproducts.com/water-bottles/chi-24oz-plastic-water-bottle>.
<https://www.elloproducts.com/kids/dash-16oz-tritan-plastic-water-bottle>.
<https://www.elloproducts.com/tumblers/cru-stemless-wine-glass-set-with-silicone-protection>.
 Aladdin Water Bottle (1 page).
<https://www.elloproducts.com/water-bottles/elsie-22oz-glass-water-bottle>.
<https://www.elloproducts.com/tumblers/beacon-24oz-vacuum-insulated-stainless-tumbler>.
<https://www.elloproducts.com/kids/rise-12oz-vacuum-insulated-stainless-steel-tumbler>.
<https://www.elloproducts.com/travel-mugs/hammertime-18oz-vacuum-insulated-stainless-steel-travel-mug>.
<https://www.elloproducts.com/water-bottles/pure-20oz-glass-water-bottle>.
<https://www.elloproducts.com/kids/max-12oz-vacuum-insulated-stainless-steel-kids-water-bottle>.
<https://www.elloproducts.com/water-bottles/syndicate-20oz-glass-water-bottle>.
 Mason Glass Jar (1 page).
https://www.camelbak.com/en/bottles/R02056-Eddy_75L_2019?color=6bbd0584f3a64b0eb30d406f7e03797e.
<https://www.gocontigo.com/20-oz-autoseal-west-loop-stainless-travel-mug-with-easy-clean-lid.html>.
<https://www.gocontigo.com/14-oz-autospout-striker-kids-water-bottle.html>.
<https://www.zojirushi.com/app/product/smyae>.
<https://www.zojirushi.com/app/product/smkc>.
<https://www.zojirushi.com/app/product/sjjs>.
<https://www.zojirushi.com/app/product/smqhe>.
<https://www.zojirushi.com/app/product/smtae>.
<https://www.zojirushi.com/app/product/smta>.
<https://www.zojirushi.com/app/product/smse>.
<https://www.zojirushi.com/app/product/smsd>.
<https://www.zojirushi.com/app/product/smshe>.
<https://www.zojirushi.com/app/product/smke>.
<https://www.zojirushi.com/app/product/smsc>.
<https://www.zojirushi.com/app/product/smpc>.
<https://www.zojirushi.com/app/product/smpb>.
<https://www.pinterest.ru/pin/12666442685646757/>.
https://www.coleman.com/all-camp-kitchen/drinkware/switch-ss/col_2038485_pr/COL_2038485.
<https://corkcicle.com/products/classic-arctican?variant=475182759951>.
 ELLO Reflax Beverage Container (1 page).

* cited by examiner

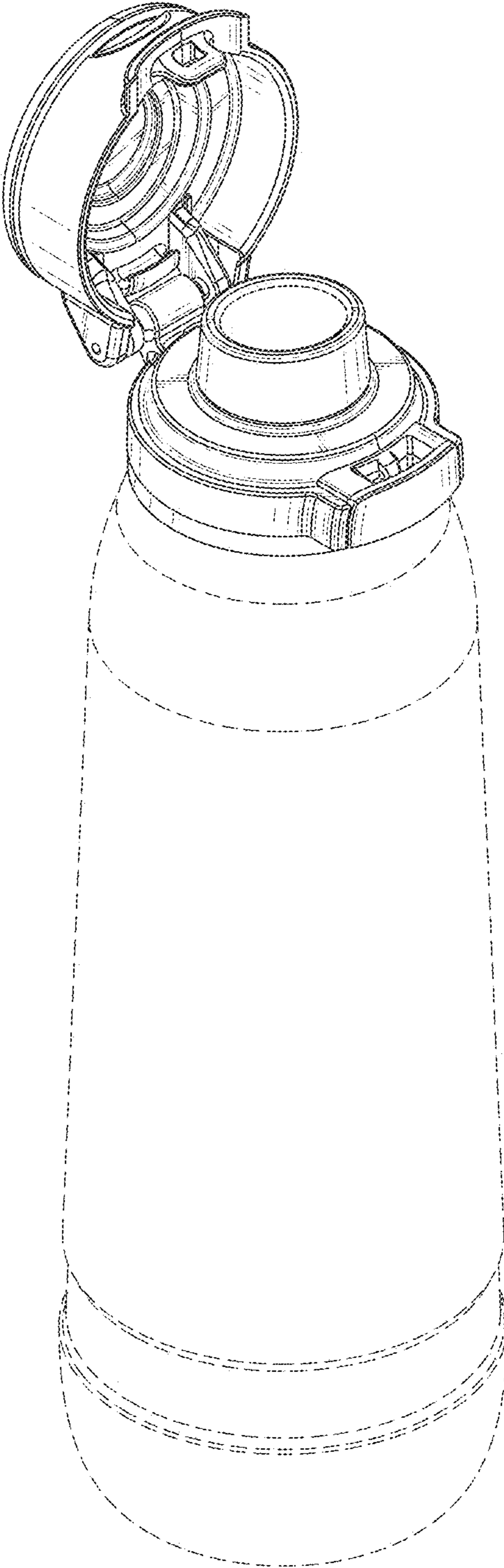


FIG. 1

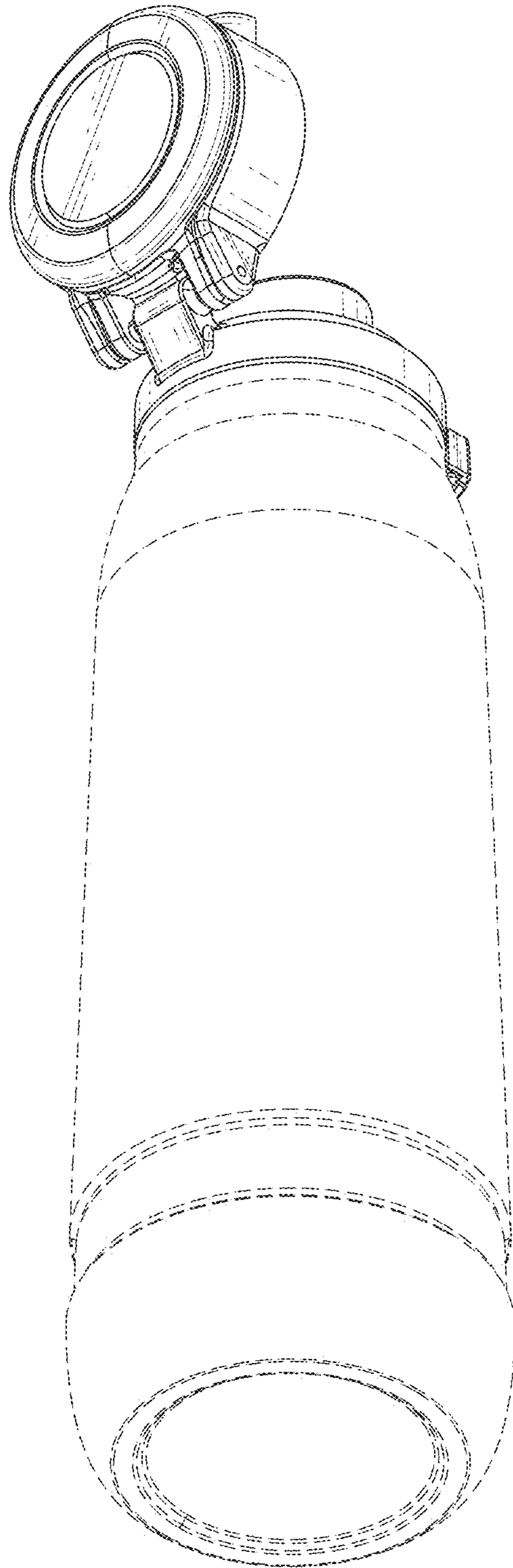


FIG. 2

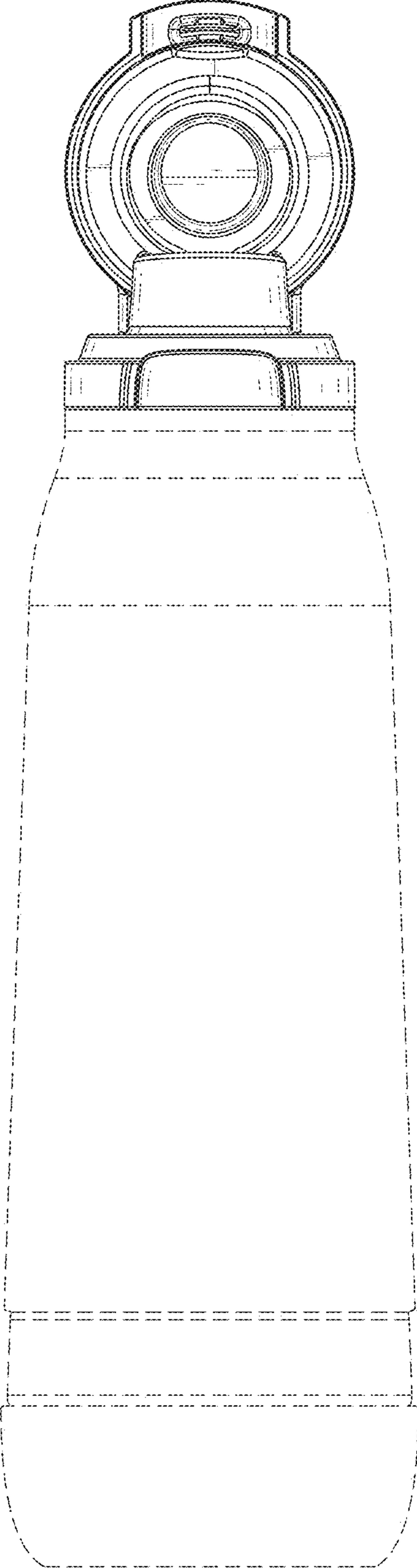


FIG. 3

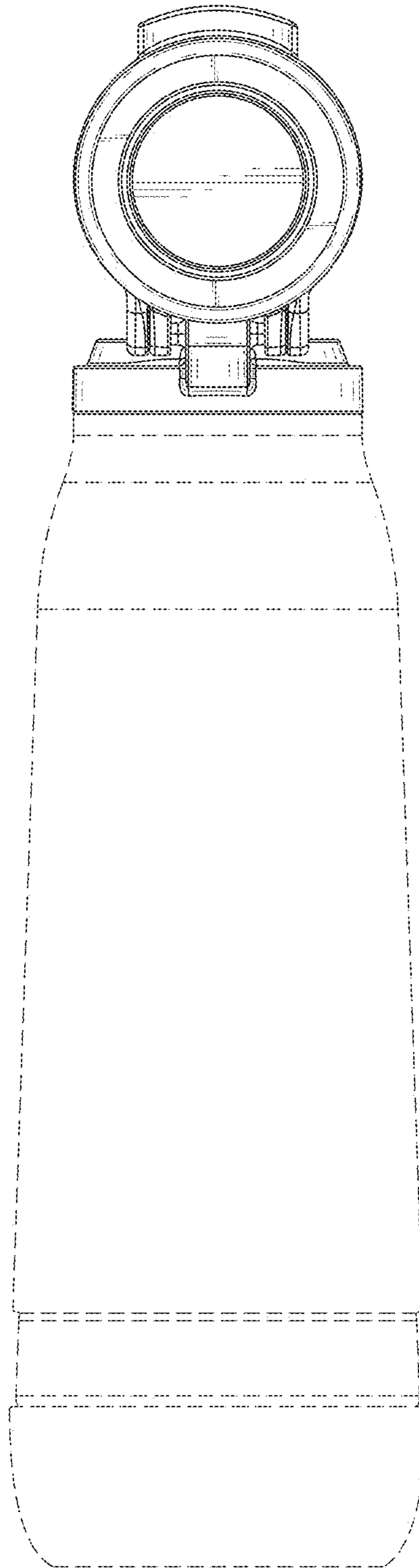


FIG. 4

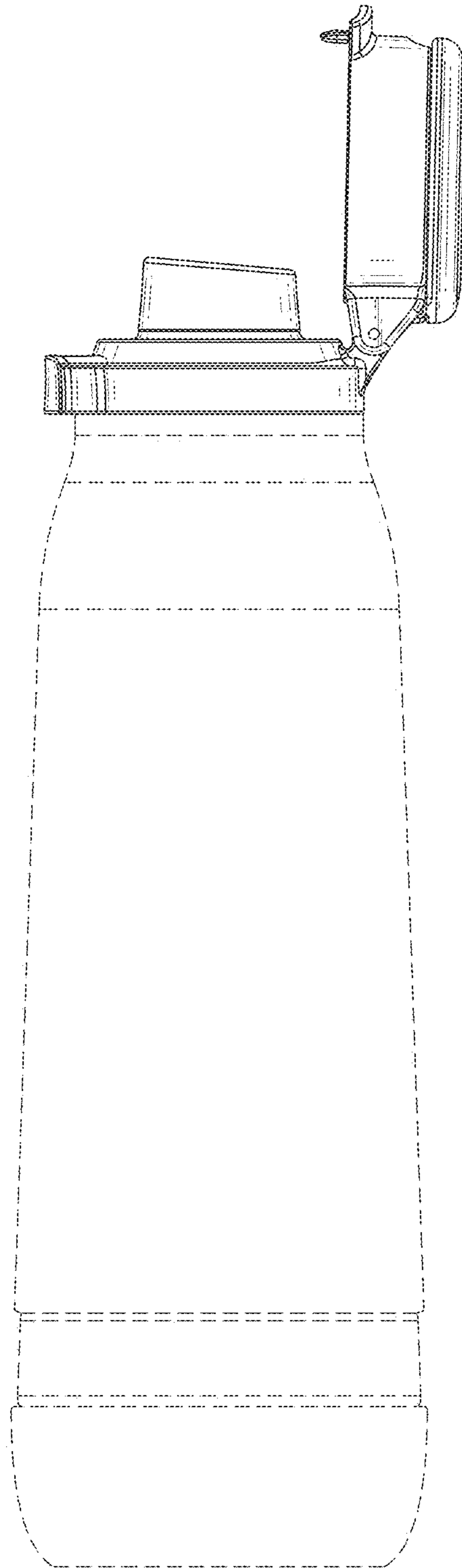


FIG. 5

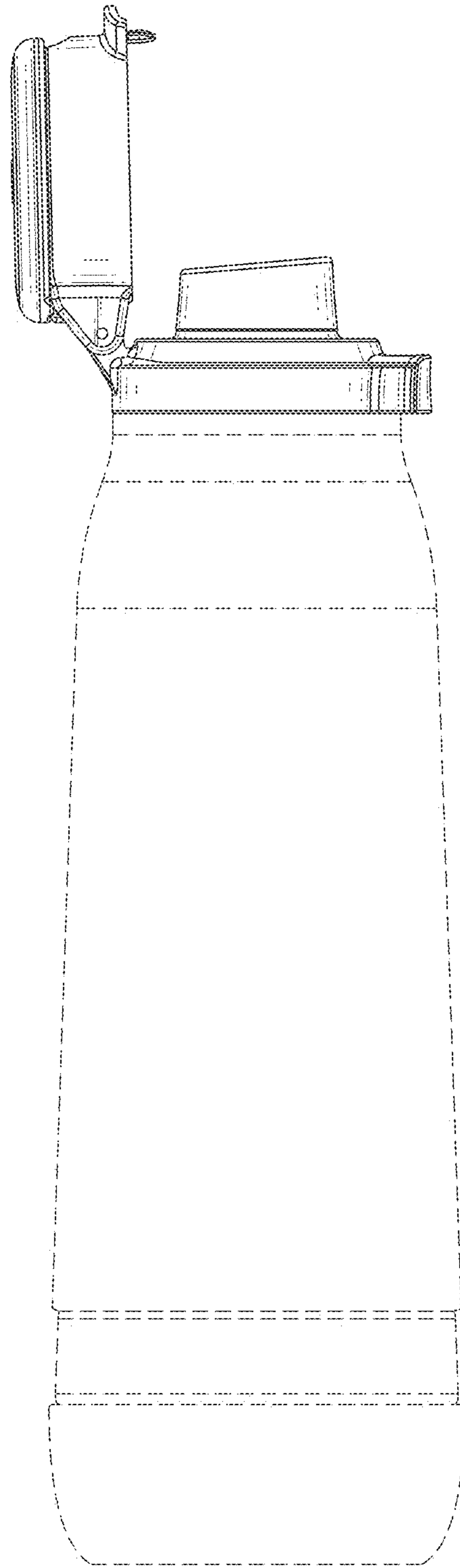


FIG. 6

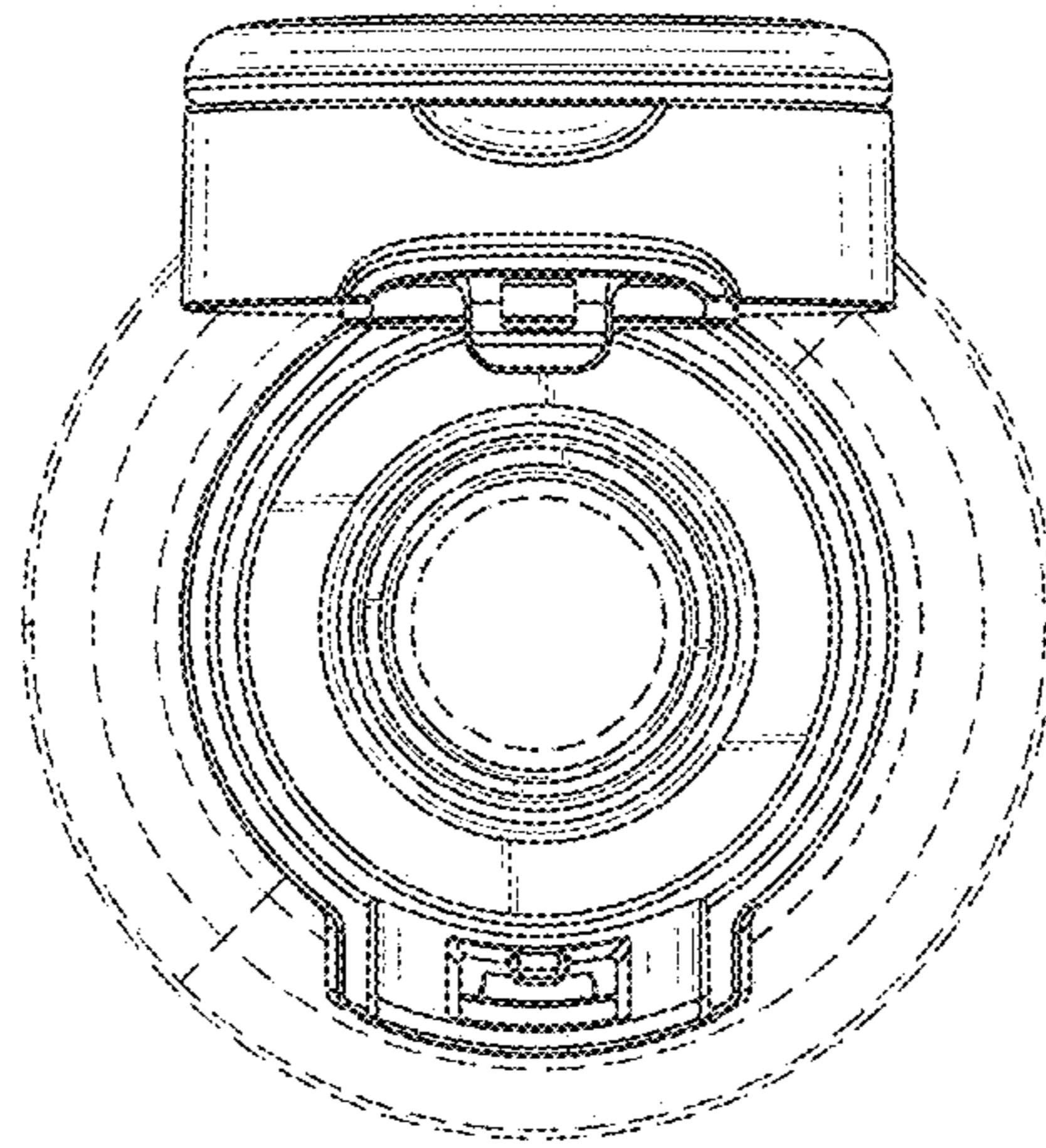


FIG. 7

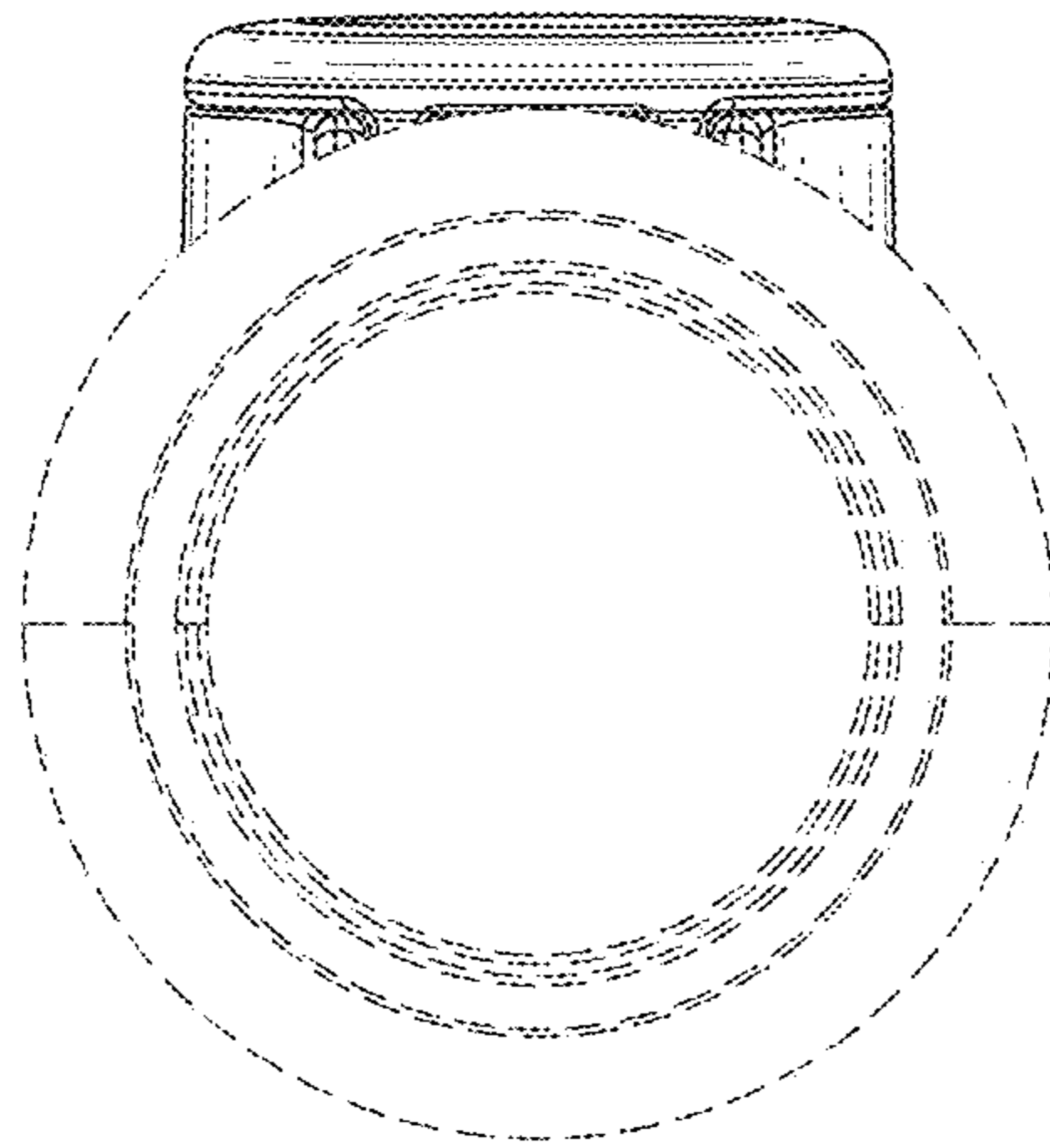


FIG. 8