



US00D911768S

(12) **United States Design Patent**
Liao

(10) **Patent No.:** **US D911,768 S**
(45) **Date of Patent:** **** Mar. 2, 2021**

- (54) **LID**
- (71) Applicant: **Shenzhenshi xiayingkeji youxiangongsi**, Shenzhen Guangdong (CN)
- (72) Inventor: **Yanxia Liao**, Chaozhou Guangdong (CN)
- (**) Term: **15 Years**
- (21) Appl. No.: **29/743,288**
- (22) Filed: **Jul. 21, 2020**
- (51) **LOC (13) Cl.** **07-99**
- (52) **U.S. Cl.**
USPC **D7/392; D7/392.1; D9/443; D9/447**
- (58) **Field of Classification Search**
USPC D9/434, 435, 436, 439, 440, 442-450, D9/452-457, 499, 503-505, 682, 685, D9/686; D7/387, 391, 392, 392.1, 396.1, D7/396.2, 507, 509-511, 538, 629, 900; D3/202, 203.2, 294, 318; D28/91, 91.1
CPC .. A61J 1/00; A61J 1/1412; B65D 1/00; B65D 1/02; B65D 1/10; B65D 1/46; B65D 5/46; B65D 41/00; B65D 41/38; B65D 41/56; B65D 41/62; B65D 47/00; B65D 47/06; B65D 47/08; B65D 2251/00; B65D 2543/00046; B65D 2543/00092; B65D 2543/00296
See application file for complete search history.

D516,376 S *	3/2006	Kim	D7/392.1
D521,812 S *	5/2006	Kim	D7/629
D536,571 S *	2/2007	Kim	D7/391
D544,762 S *	6/2007	Zimmerman	D7/601
D556,517 S *	12/2007	Lown	D7/629
D580,218 S *	11/2008	Kim	D7/391
D591,112 S *	4/2009	Wang	D7/629
D595,085 S *	6/2009	Carlson	D7/392
D623,893 S *	9/2010	Smyers	D7/392
D699,082 S *	2/2014	Duvigneau	D7/391
D700,010 S *	2/2014	Duvigneau	D7/391
D799,635 S *	10/2017	Kimura	D23/207
D800,494 S *	10/2017	Peng	D9/443
D828,716 S *	9/2018	Zhang	D7/392.1
D830,790 S *	10/2018	Lee	D7/629
D869,228 S *	12/2019	Zhang	D7/392.1
D880,958 S *	4/2020	Dai	D7/629
D906,059 S *	12/2020	Liao	D7/629
2016/0045054 A1 *	2/2016	Su	A47J 47/14 99/403

* cited by examiner

Primary Examiner — Wendy L Arminio

(57) **CLAIM**

The ornamental design for a lid, as shown and described.

DESCRIPTION

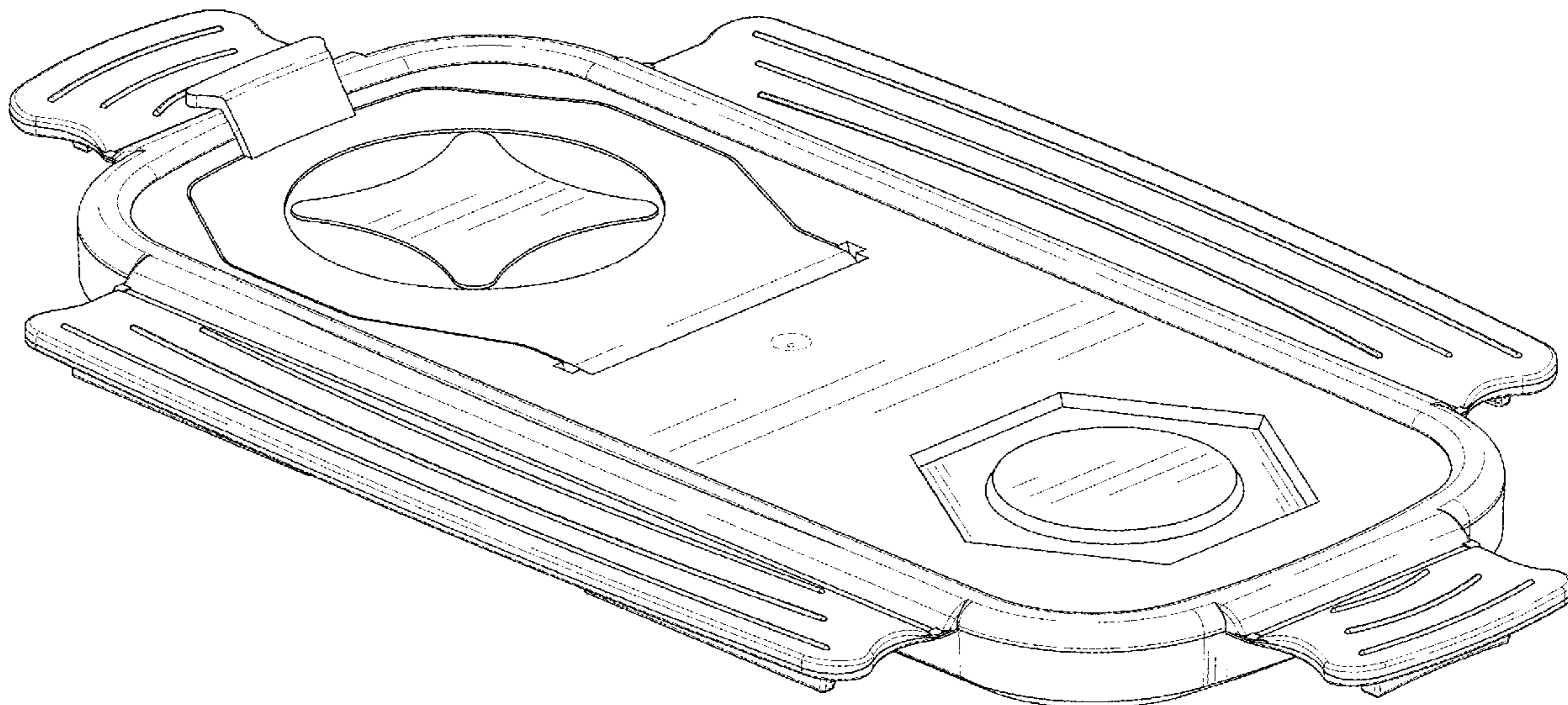
FIG. 1 is a top and front perspective view of a lid, showing my new design;
 FIG. 2 is a bottom and rear perspective view thereof;
 FIG. 3 is a front elevational view thereof;
 FIG. 4 is a rear elevational view thereof;
 FIG. 5 is a left side elevational view thereof;
 FIG. 6 is a right side elevational view thereof;
 FIG. 7 is a top plan view thereof; and,
 FIG. 8 is a bottom plan view thereof.
 The broken lines in the figures illustrate portions of the lid that form no part of the claimed design.

1 Claim, 8 Drawing Sheets

(56) **References Cited**

U.S. PATENT DOCUMENTS

D411,353 S	6/1999	Dickinson et al.	
D411,408 S *	6/1999	Ahern, Jr. D7/392
D479,954 S *	9/2003	Kim D7/629
D511,655 S *	11/2005	Kim D7/612



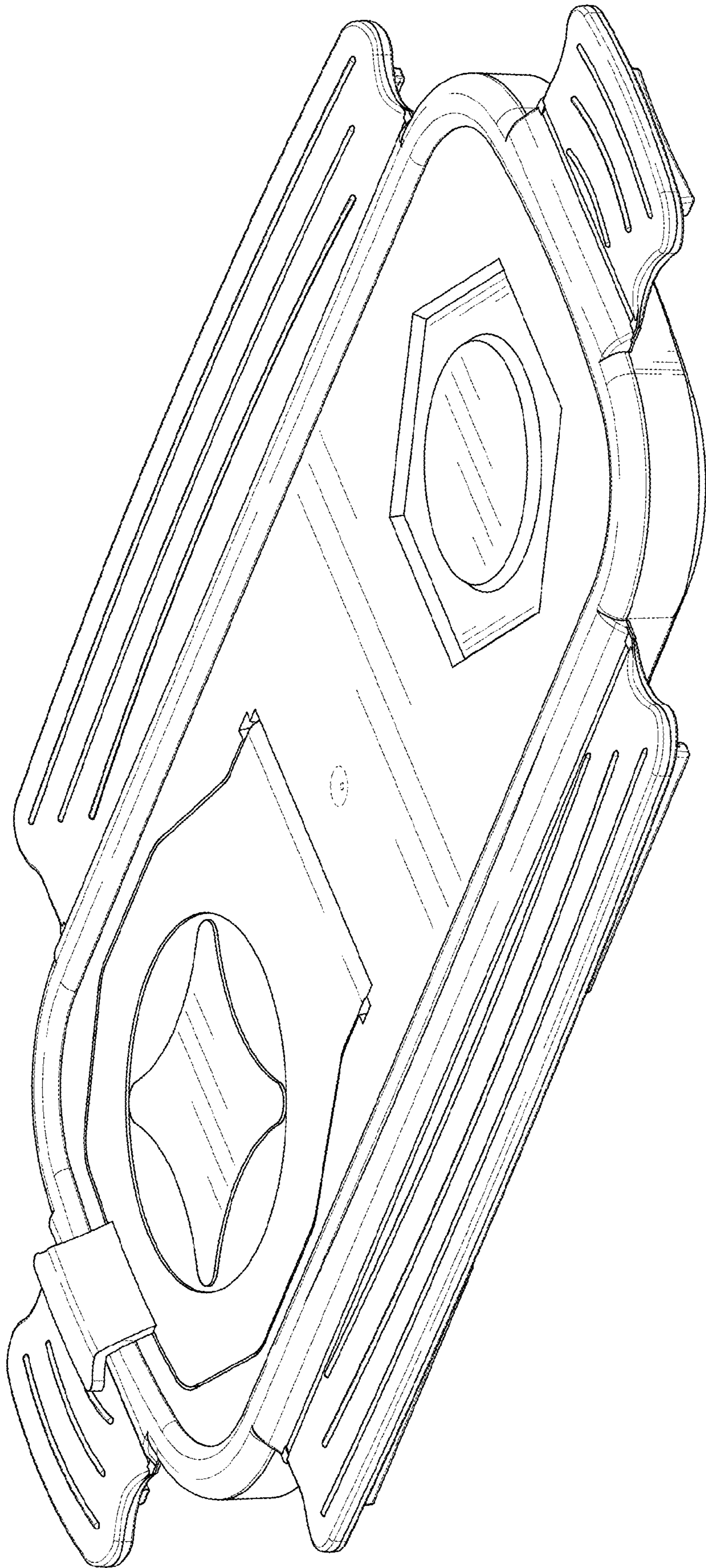


FIG. 1

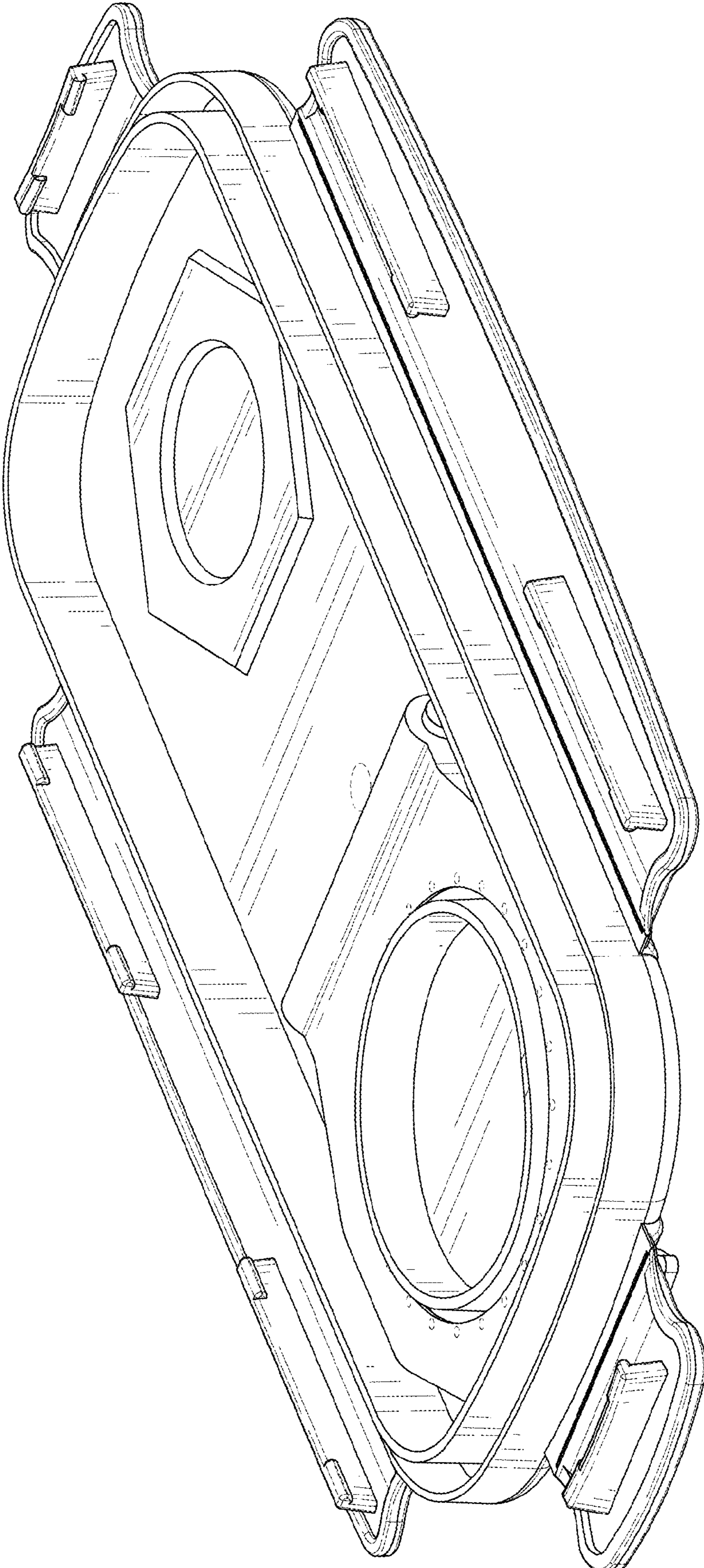


FIG. 2

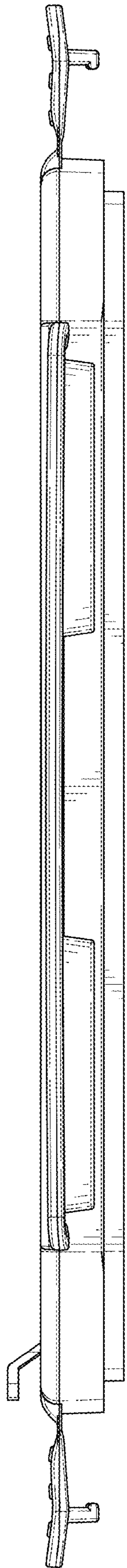


FIG. 3

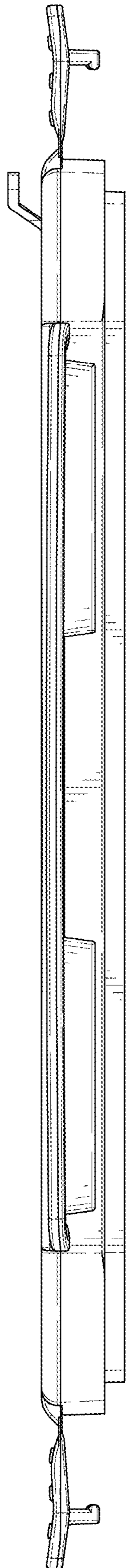


FIG. 4

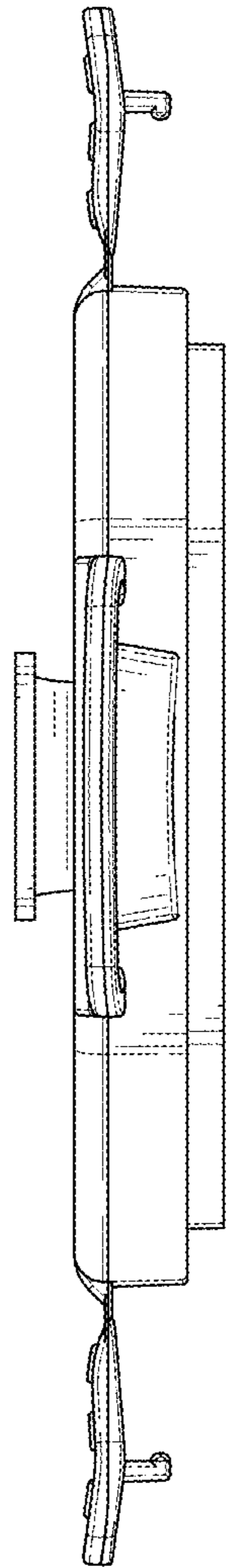


FIG. 5

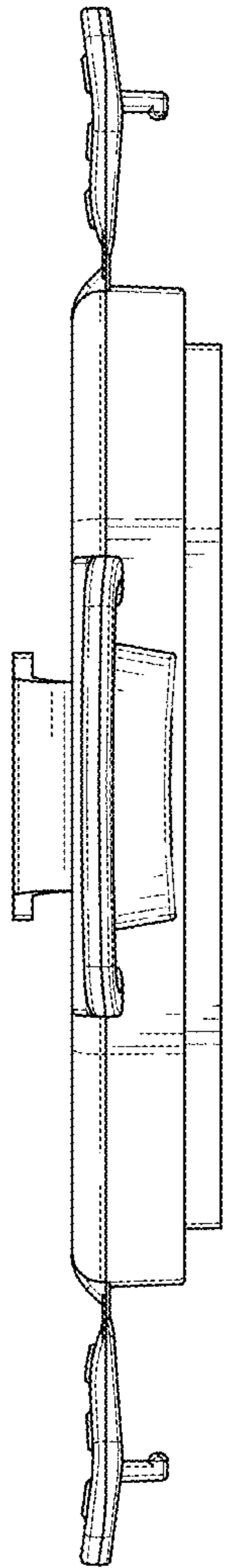


FIG. 6

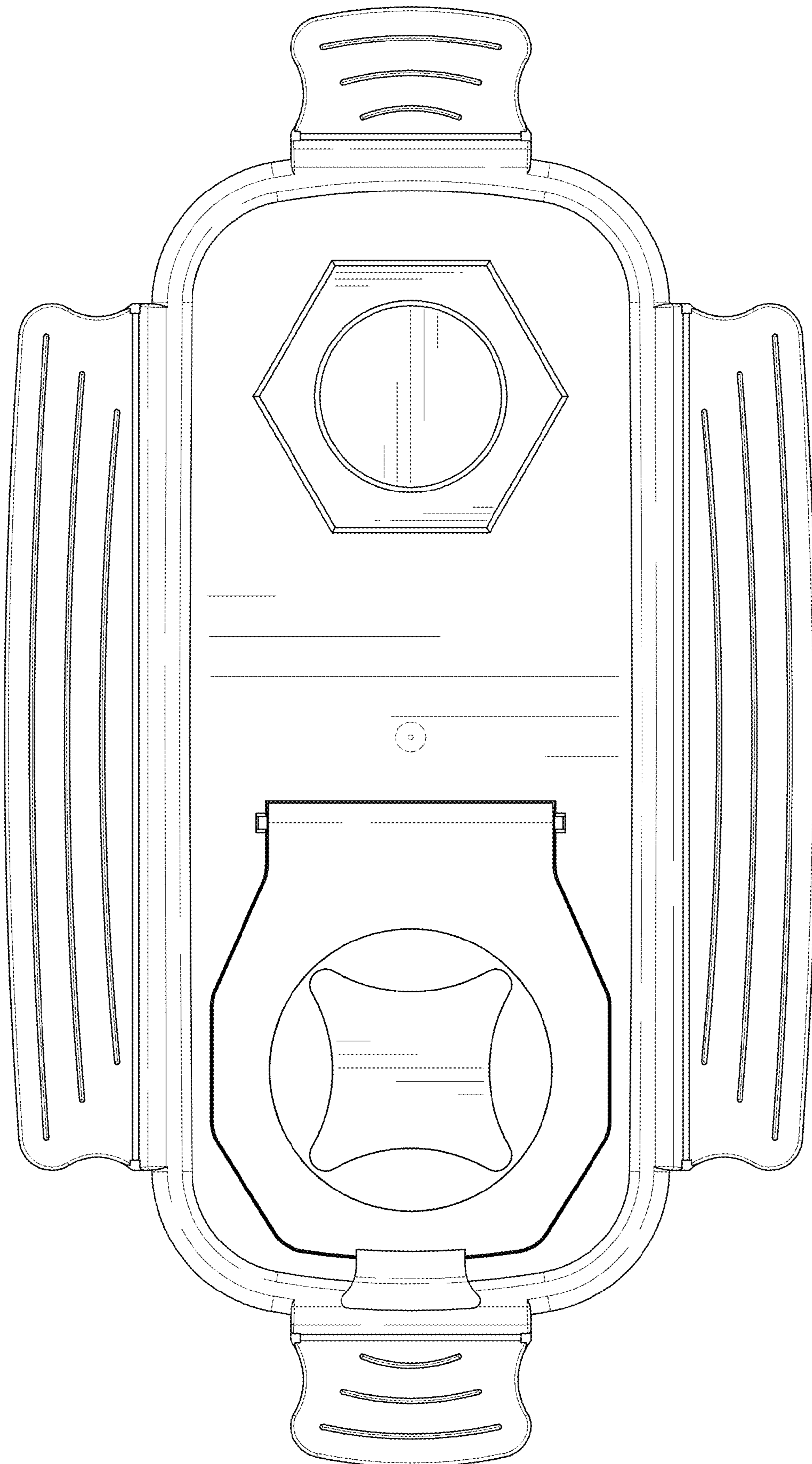


FIG. 7

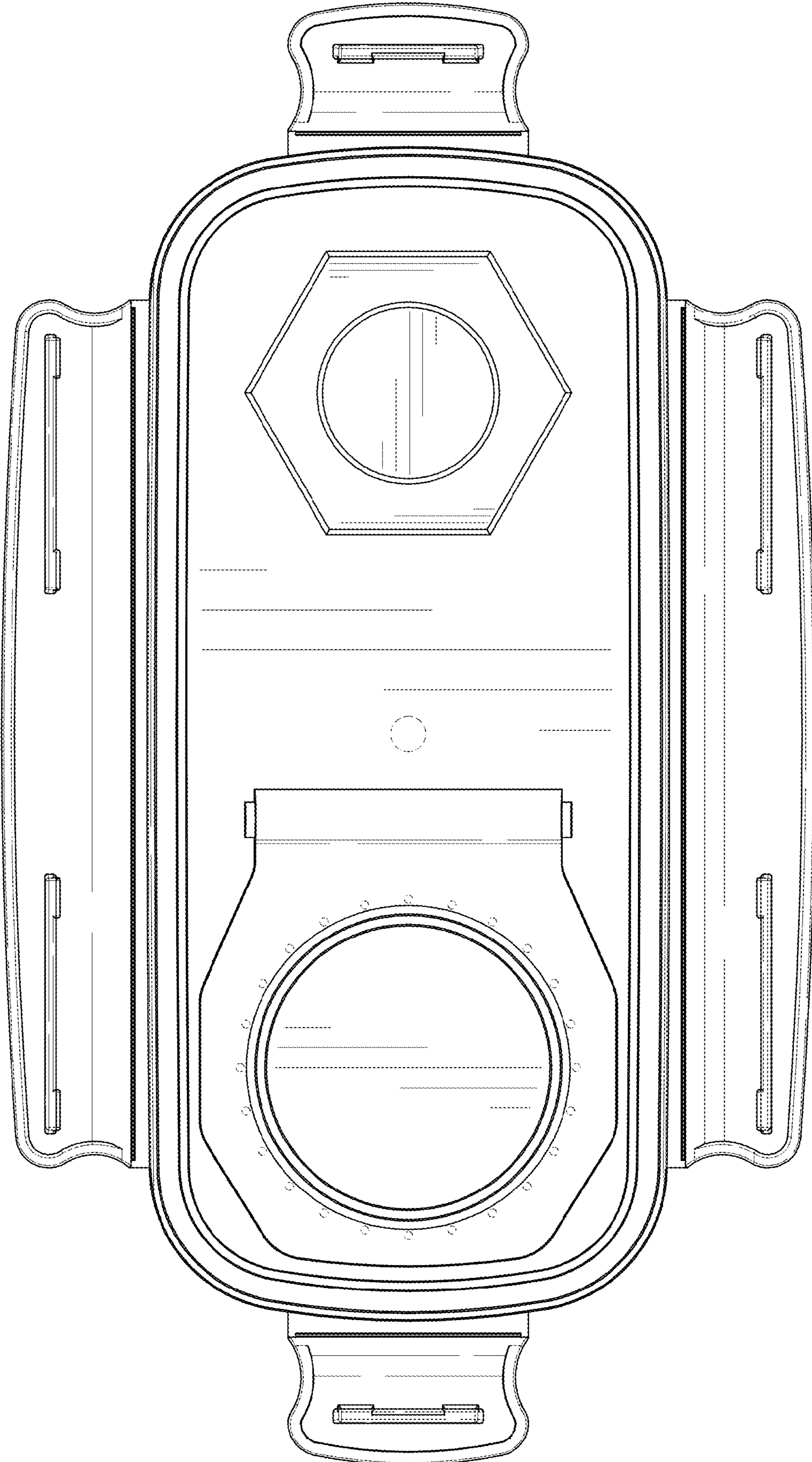


FIG. 8