



US00D911767S

(12) **United States Design Patent** (10) **Patent No.:** **US D911,767 S**
Koszylko (45) **Date of Patent:** **** Mar. 2, 2021**

(54) **HAND MIXER**
(71) Applicant: **Spectrum Brands, Inc.**, Middleton, WI (US)
(72) Inventor: **Darek J. Koszylko**, Dane, WI (US)
(73) Assignee: **Spectrum Brands, Inc.**, Middleton, WI (US)

D537,292 S 2/2007 Beesley et al.
D540,115 S * 4/2007 Picozza D7/379
D588,865 S * 3/2009 Ferraby D7/380
D628,012 S * 11/2010 Bodum D7/379
D665,618 S * 8/2012 Ho D7/354
D807,109 S * 1/2018 Ho D7/379
D892,539 S * 8/2020 McConnell D7/379
2005/0007867 A1* 1/2005 Wanat A47J 43/082
366/129

(**) Term: **15 Years**

FOREIGN PATENT DOCUMENTS

(21) Appl. No.: **29/696,596**

CN 3370592 5/2004
CN 3503578 2/2006

(22) Filed: **Jun. 28, 2019**

(Continued)

(51) **LOC (13) Cl.** **31-00**

(52) **U.S. Cl.**
USPC **D7/379; D7/376; D7/380**

OTHER PUBLICATIONS

(58) **Field of Classification Search**
USPC D7/354, 372, 376–386, 412–413, 602,
D7/629, 665–666, 669, 679, 693–694
CPC A21C 1/02; A21C 1/04; A23N 1/00; A23N
1/02; A47J 43/04; A47J 43/25; A47J
43/27; A47J 43/042; A47J 43/044; A47J
43/046; A47J 43/075; A47J 43/0711;
A47J 43/0722; A47J 43/0727; A47J
43/082; B01F 3/00; B01F 3/0807; B01F
3/0853; B01F 13/0059; B01F 13/0064;
B02C 1/08; B02C 2/04; B02C 4/42;
B02C 4/142; B02C 4/143; B02C 4/423;
B02C 13/1835; B28C 5/10; B28C 5/12;
B28C 5/14; B28C 5/16

Decen Hand Mixer Electric 6-Speed Turbo Boost. Date First Available on Amazon May 16, 2019 <https://www.amazon.com/dp/B07RYXCG3T/> (Year: 2019).*

(Continued)

See application file for complete search history.

Primary Examiner — Ricky Pham
(74) *Attorney, Agent, or Firm* — Banner & Witcoff, Ltd.

(57) **CLAIM**

The ornamental design for a hand mixer, as shown and described.

DESCRIPTION

FIG. 1 is a front perspective view of a hand mixer showing my new design;
FIG. 2 is a front view thereof;
FIG. 3 is a rear view thereof;
FIG. 4 is a right side view thereof;
FIG. 5 is a left side view thereof;
FIG. 6 is a top view thereof; and,
FIG. 7 is a bottom view thereof.

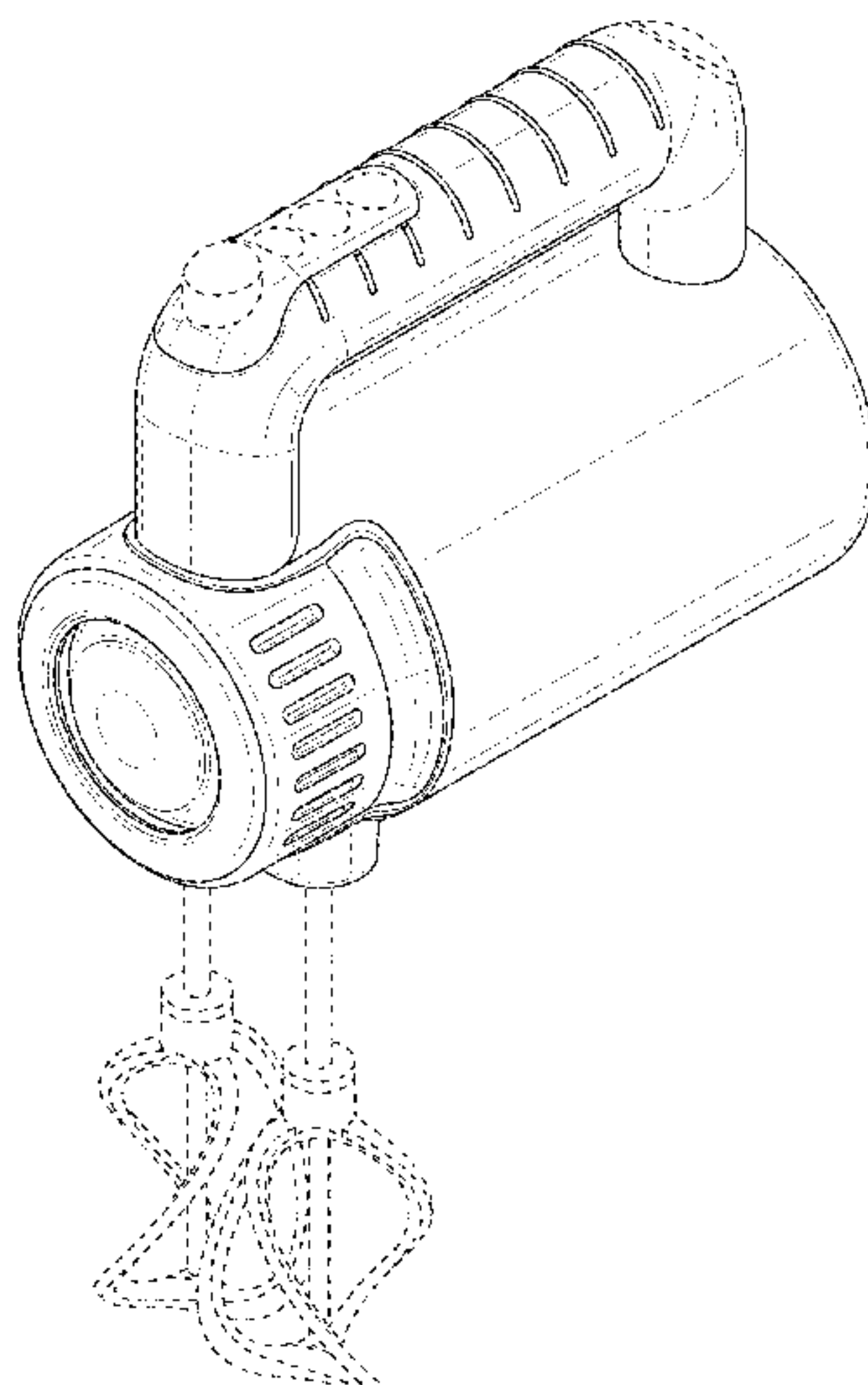
The broken lines within the shaded area represent features that form no part of the claimed design. The broken lines depicting the remainder of the hand mixer form no part of the claimed design.

(56) **References Cited**

U.S. PATENT DOCUMENTS

D170,884 S * 11/1953 Morgan D7/379
D173,624 S * 12/1954 Madl D7/379
D178,266 S * 7/1956 Swann D7/379
D178,543 S * 8/1956 Seyfried D7/379
D204,408 S * 4/1966 Fischer D7/386
D255,760 S * 7/1980 Ernest D7/379
D336,405 S * 6/1993 Maass D7/376
D392,505 S 3/1998 Tanaka et al.
D504,592 S * 5/2005 Wanat D7/379

1 Claim, 7 Drawing Sheets



(56)

References Cited

FOREIGN PATENT DOCUMENTS

CN	3622399	3/2007
CN	301322714	8/2010
CN	304020064	2/2012
CN	302459547	6/2013
CN	302481985	6/2013
CN	302512616	7/2013
CN	302884640	7/2014
CN	302884641	7/2014
CN	303200747	5/2015
CN	303708295	6/2016
CN	304215816	7/2017
CN	304617576	5/2018
CN	304739188	7/2018
EM	0000262570002	7/2003
EM	0021036480001	9/2012
EM	0021607620001	1/2013
EM	0021607620002	1/2013
EM	0014366610001	7/2015
EM	0029709390002	3/2016
EM	0038787190001	5/2017

OTHER PUBLICATIONS

“Viking VHMD9BK 9-Speed Digital Hand Mixer”; Viking; retrieved Nov. 28, 2018; disclosure date unknown but prior to filing date of

present application; URL: <https://www.shopperschoice.com/item_item_2845372.html>.

“Sunbeam Mixmaster 220-Watt Hand Mixer with Retractable Cord”; Sunbeam; retrieved Nov. 28, 2018; disclosure date unknown but prior to filing date of present application; URL: <<https://www.target.com/p/sunbeam-174-mixmaster-174-220-watt-hand-mixer-with-retractable-cord>>.

“Russell Hobbs Easy Prep Electric Hand Mixer 22960”; Argos; retrieved Nov. 28, 2018; disclosure date unknown but prior to filing date of present application; URL: <<https://www.argos.co.uk/product/7029572>>.

“Dualit 4-Speed Professional Hand Mixer”; Dualit; retrieved Nov. 28, 2018; disclosure date unknown but prior to filing date of present application; URL: <<https://www.amazon.com/Dualit-4-Speed-Professional-Mixer-Chrome>>.

“Powersselect 5 Speed Electronic Hand Mixer”; Cuisinart; retrieved Nov. 28, 2018; disclosure date unknown but prior to filing date of present application; URL: <https://www.cuisinart.com/discontinued/hand_mixers/CHM-5>.

“5-Speed Helix Hand Mixer Black”; Black & Decker; retrieved Nov. 28, 2018; disclosure date unknown but prior to filing date of present application; URL: <<https://www.homedepot.com/p/Black-Decker-5-Speed-Helix-Hand-Mixer>>.

“7-Speed White Hand Mixer”; Betty Crocker; retrieved Nov. 28, 2018; disclosure date unknown but prior to filing date of present application; URL: <<https://www.homedepot.com/p/Betty-Crocker-7-speed-white-hand-mixer>>.

* cited by examiner

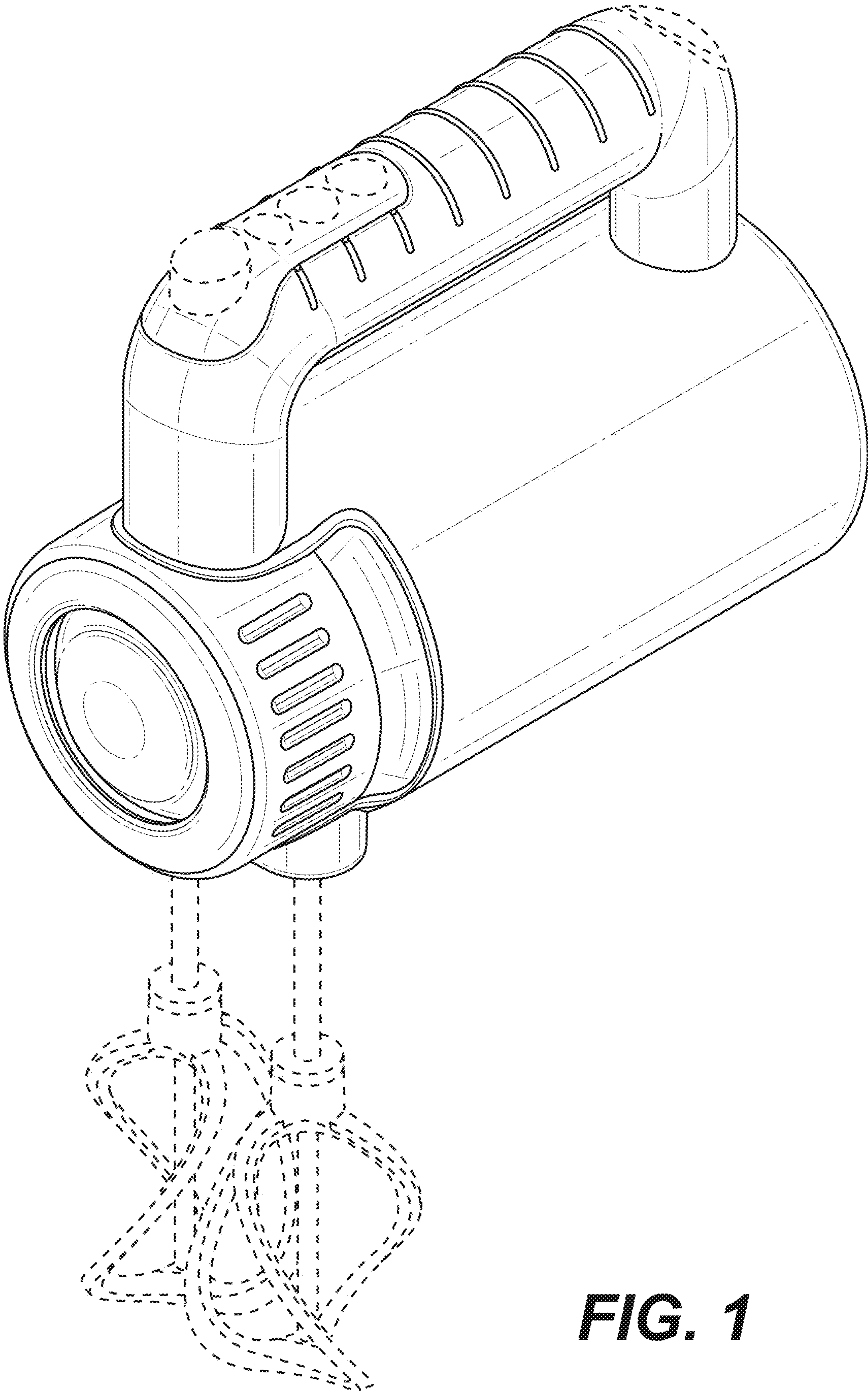


FIG. 1

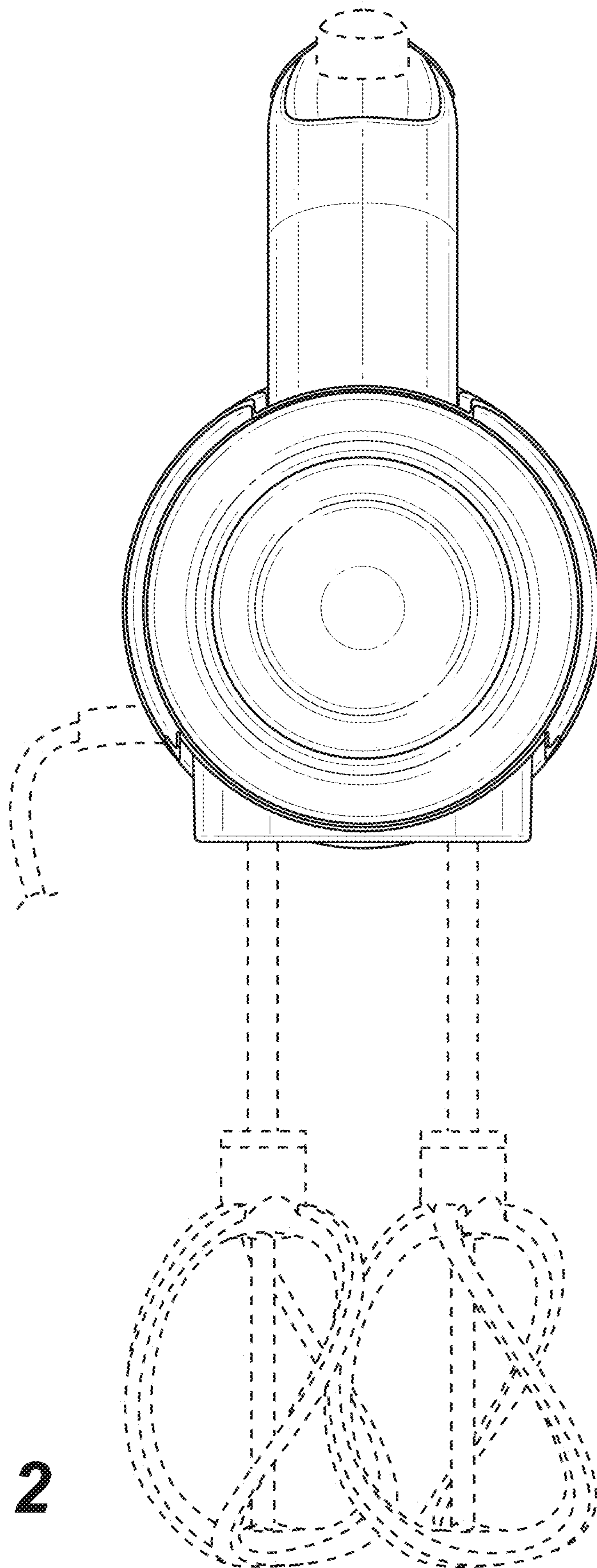


FIG. 2

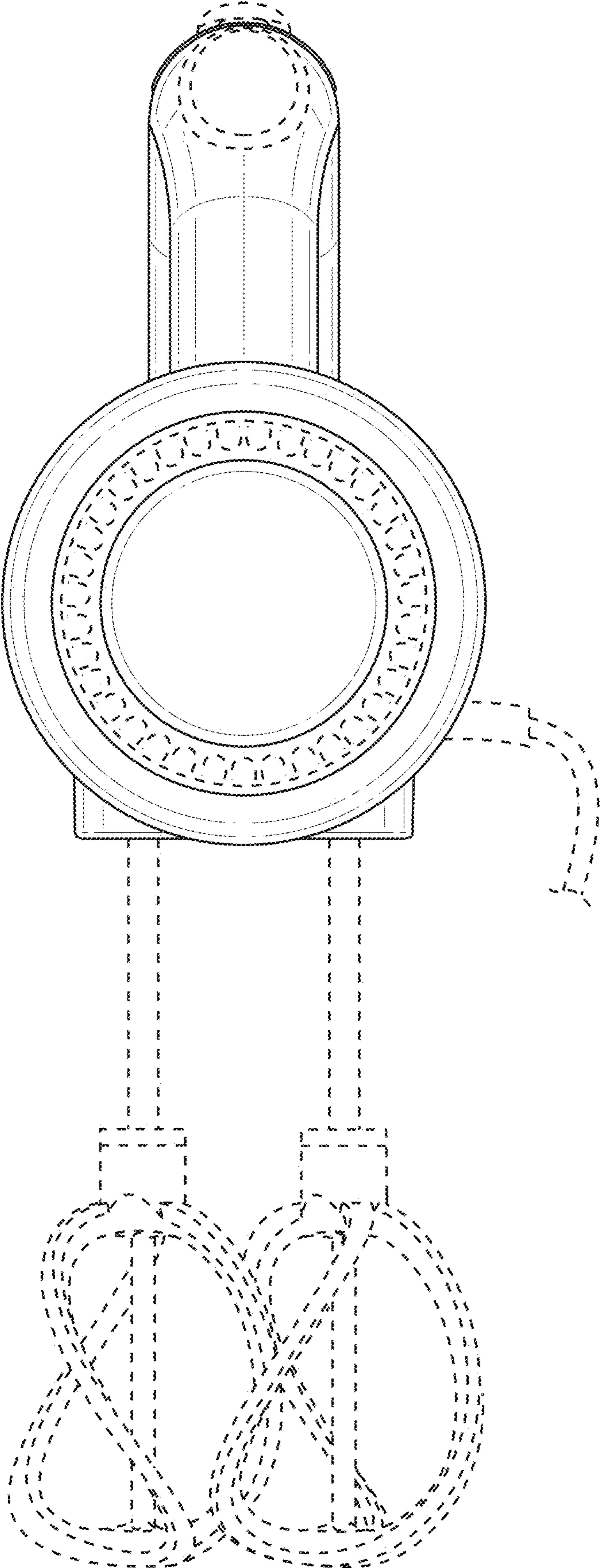


FIG. 3

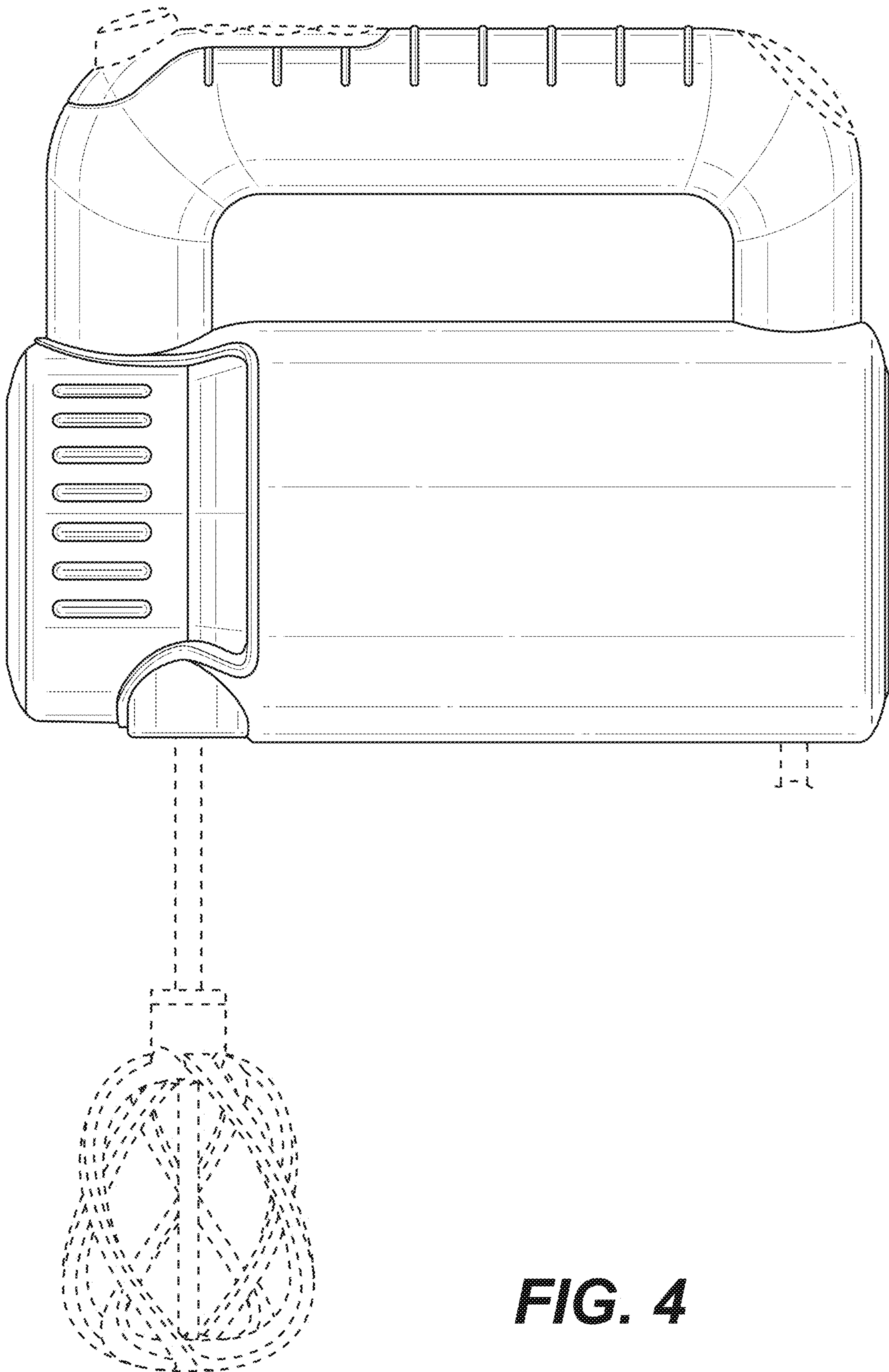


FIG. 4

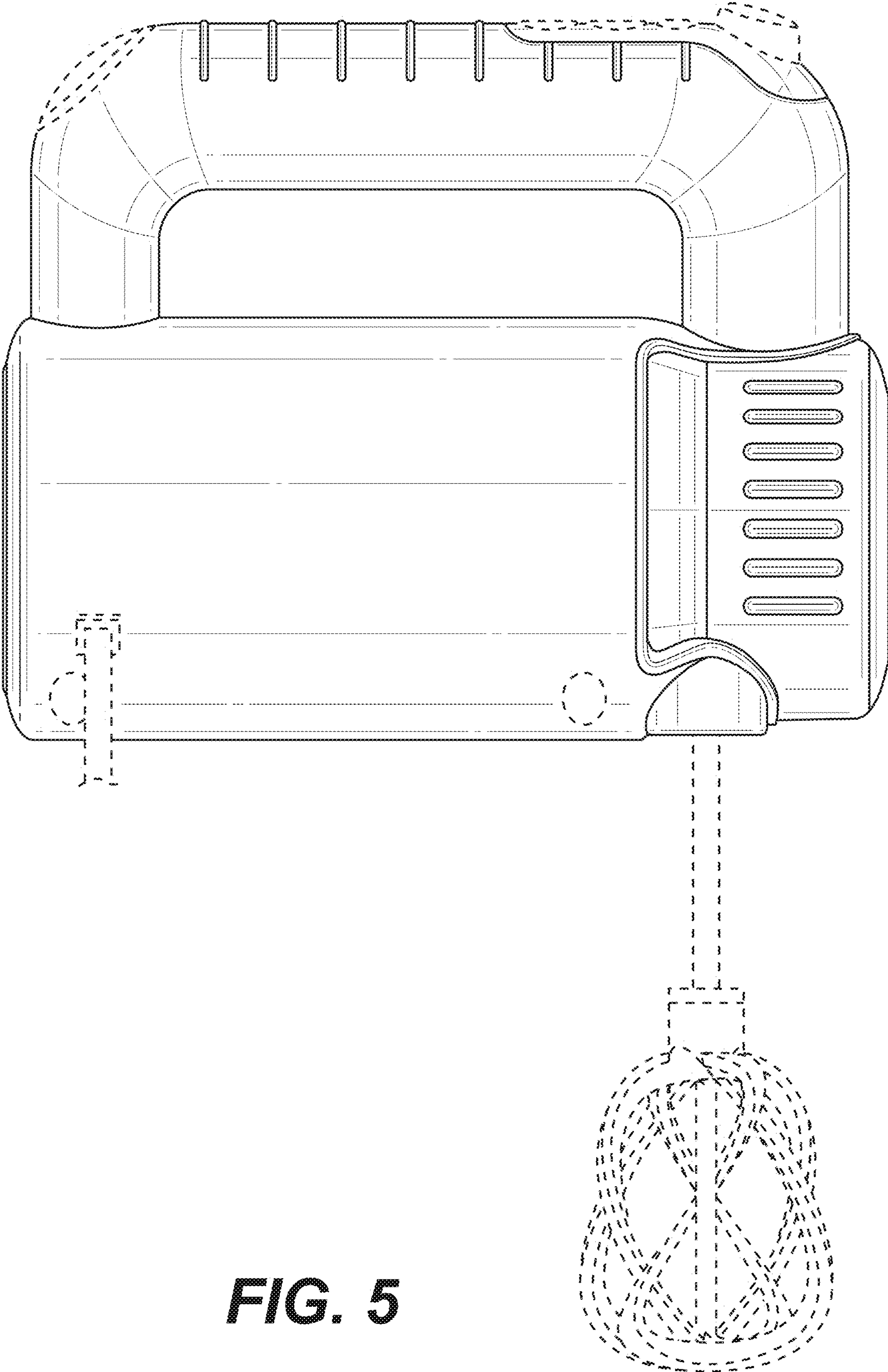


FIG. 5

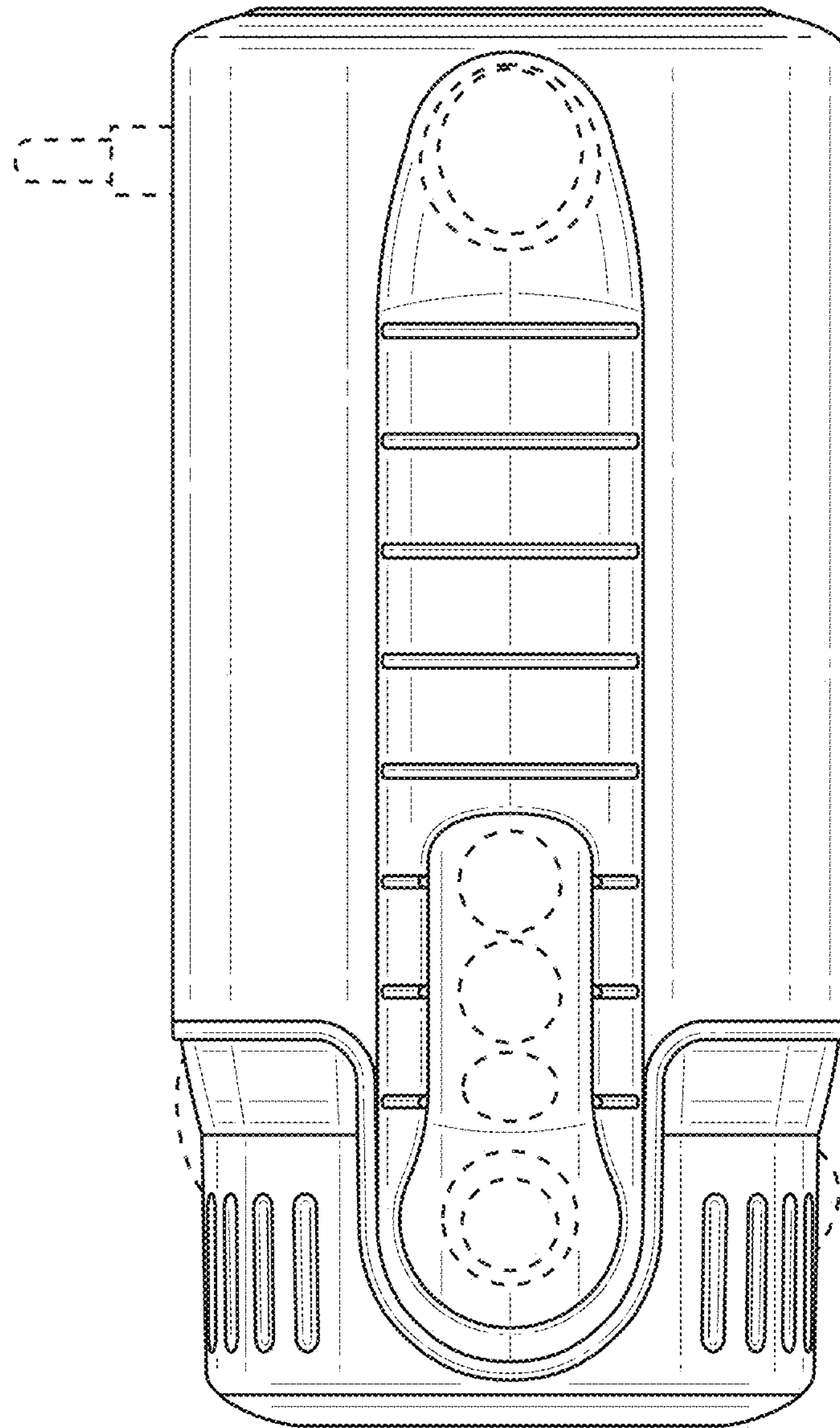


FIG. 6

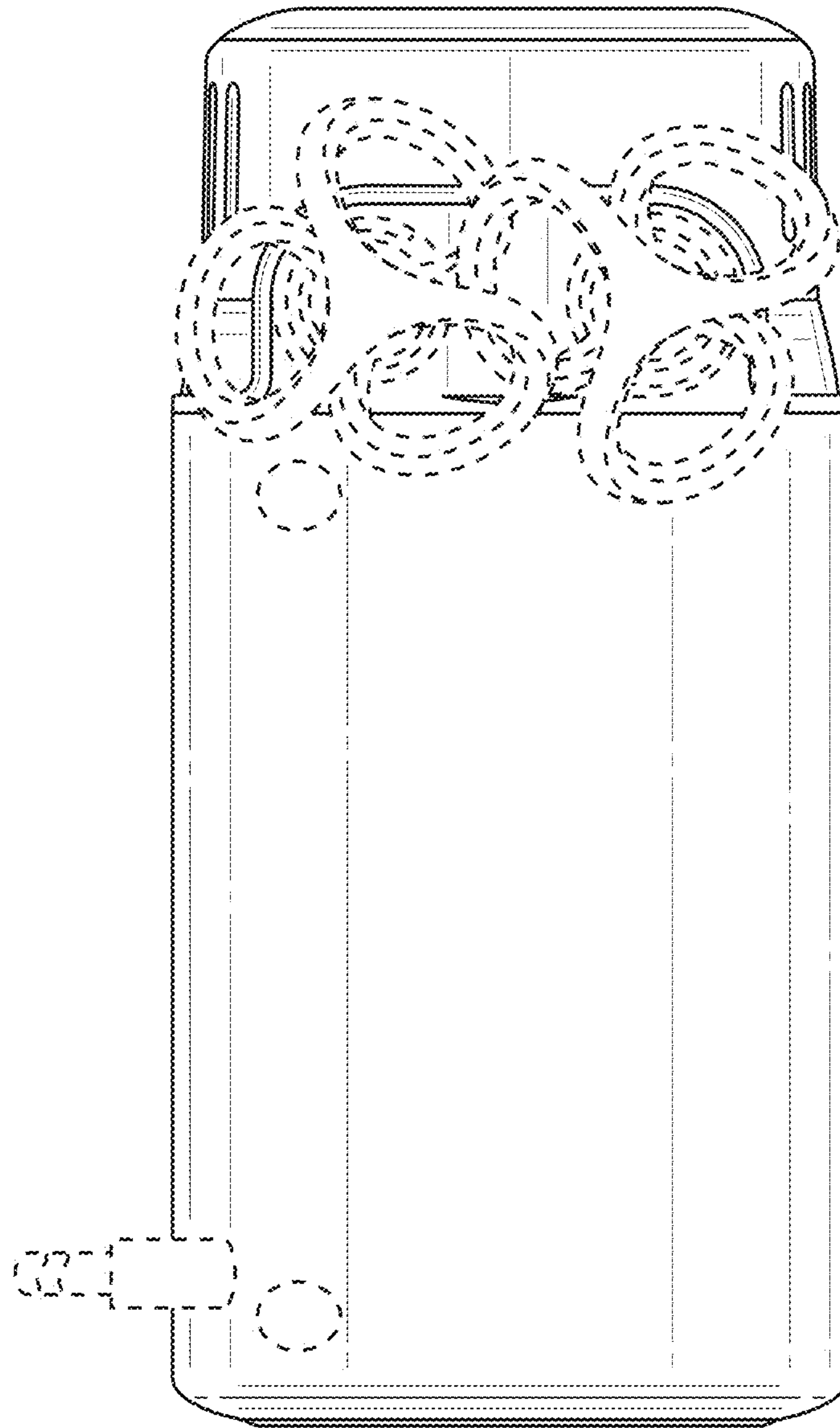


FIG. 7