



US00D911766S

(12) **United States Design Patent** (10) **Patent No.:** **US D911,766 S**  
**Ting et al.** (45) **Date of Patent:** **\*\* Mar. 2, 2021**

(54) **BLENDER**

(56) **References Cited**

(71) Applicant: **SHARKNINJA OPERATING LLC**,  
Needham, MA (US)

U.S. PATENT DOCUMENTS

D242,208 S \* 11/1976 Madl ..... D7/386  
D538,595 S 3/2007 White et al.

(72) Inventors: **Michael Ting**, Boston, MA (US);  
**Alexander Stuart Hill**, Surrey (GB);  
**Christopher William Hedges**,  
Hampshire (GB); **Jared J. Proulx**,  
Needham, MA (US); **Dan Kestenbaum**,  
Brookline, MA (US); **Deric Z. M. Liu**,  
Guandong (CN); **Leo Lee**, Guandong  
(CN); **Robin Yin**, Hunan (CN); **Larry  
Deng**, GuangDong (CN)

(Continued)

FOREIGN PATENT DOCUMENTS

JP 1523840 4/2015  
JP 1618973 11/2018  
JP 1618976 11/2018

(73) Assignee: **SHARKNINJA OPERATING LLC**,  
Needham, MA (US)

OTHER PUBLICATIONS

Vitamix Con A3300 Ascent Series Smart Blender. Date First Avail-  
able on AMazon.com Jan. 5, 2017. [https://www.amazon.com/dp/  
B01MT67Z7B/](https://www.amazon.com/dp/B01MT67Z7B/) (Year: 2017).\*

(Continued)

(\*\*) Term: **15 Years**

*Primary Examiner* — Ricky Pham

(74) *Attorney, Agent, or Firm* — Cantor Colburn LLP

(21) Appl. No.: **29/694,048**

(57) **CLAIM**

(22) Filed: **Jun. 6, 2019**

The ornamental design for a blender, as shown and  
described.

(51) **LOC (13) Cl.** ..... **31-00**

(52) **U.S. Cl.**  
USPC ..... **D7/378; D7/376; D7/386; D7/412;  
D7/413**

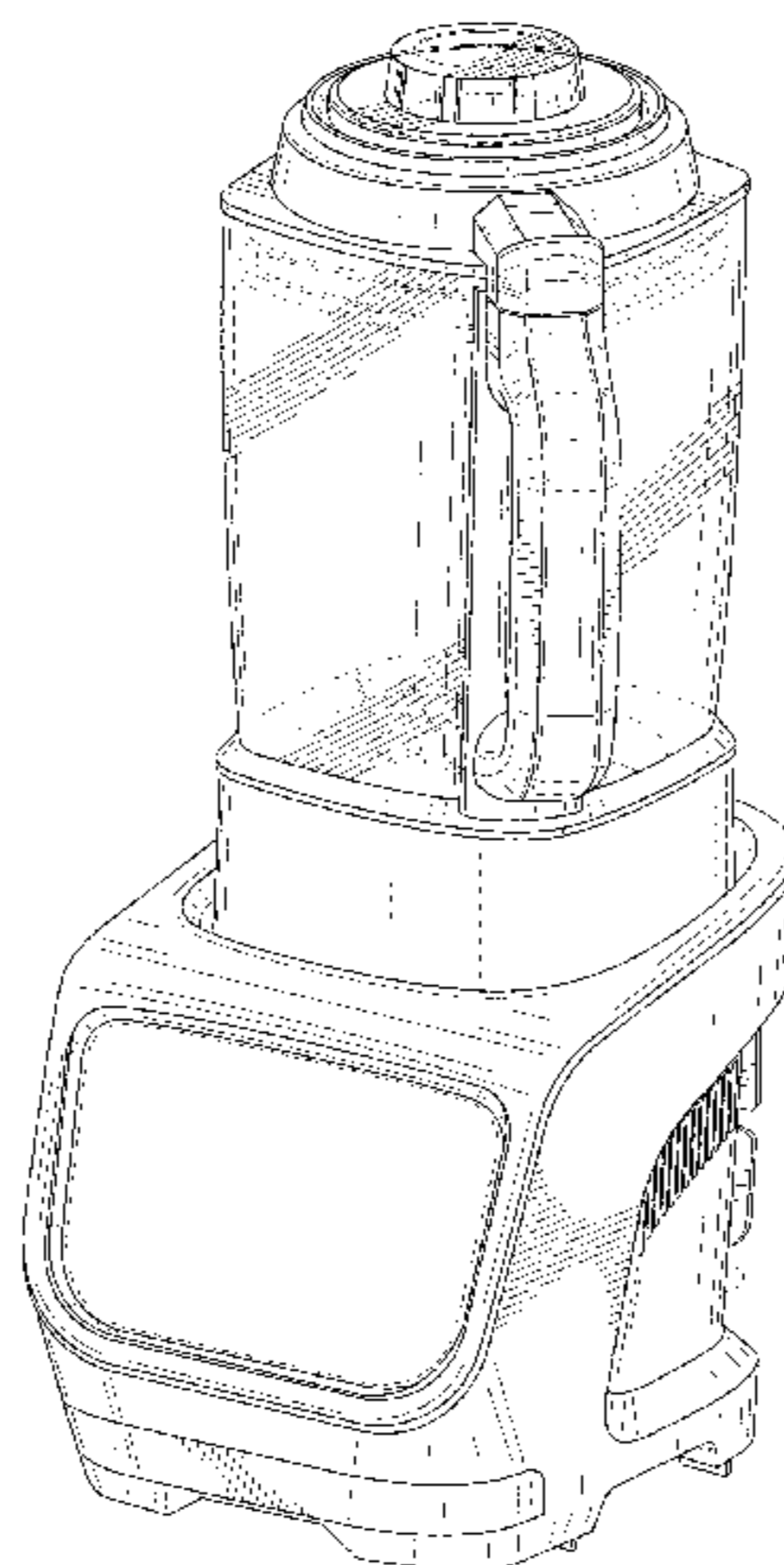
**DESCRIPTION**

(58) **Field of Classification Search**  
USPC ..... D7/372, 376–386, 412–413, 602, 629,  
D7/665–666, 669, 679, 693–694  
CPC .... A21C 1/02; A21C 1/04; A23N 1/00; A23N  
1/02; A47J 43/04; A47J 43/25; A47J  
43/27; A47J 43/042; A47J 43/044; A47J  
43/046; A47J 43/075; A47J 43/0711;  
A47J 43/0722; A47J 43/0727; A47J  
43/082; A47J 43/0761; A47J 43/0772;  
B01F 3/00; B01F 3/0807; B01F 3/0853;  
B01F 13/0059; B01F 13/0064; B02C  
1/08; B02C 2/04; B02C

FIG. 1 is a perspective view of a blender, showing our new  
design;  
FIG. 2 is a front view of the embodiment shown in FIG. 1;  
FIG. 3 is a rear view of the embodiment shown in FIG. 1;  
FIG. 4 is a side view of the embodiment shown in FIG. 1;  
FIG. 5 is another side view of the embodiment shown in  
FIG. 1;  
FIG. 6 is a top view of the embodiment shown in FIG. 1;  
and,  
FIG. 7 is a bottom view of the embodiment shown in FIG.  
1.  
The broken lines in the figures are for environmental pur-  
poses only and form no part of the claimed design.

(Continued)

**1 Claim, 7 Drawing Sheets**



- (58) **Field of Classification Search**  
 CPC ..... 4/42; B02C 4/142; B02C 4/143; B02C  
 4/423; B02C 13/1835; B28C 5/10; B28C  
 5/12; B28C 5/14; B28C 5/16  
 See application file for complete search history.

(56) **References Cited**

U.S. PATENT DOCUMENTS

D578,340	S	10/2008	Picozza et al.	
D605,462	S *	12/2009	Picozza .....	D7/378
D642,858	S	8/2011	Lazzer	
D647,357	S *	10/2011	Audette .....	D7/386
D677,976	S *	3/2013	Palermo .....	D7/386
D704,502	S	5/2014	Coakley et al.	
D705,606	S	5/2014	Coakley et al.	
D707,079	S	6/2014	Blaise	
D711,688	S *	8/2014	Prats .....	D7/412
D730,682	S	6/2015	Tu	
D730,683	S *	6/2015	Tu .....	D7/386
D733,488	S *	7/2015	Tu .....	D7/386
D747,135	S	1/2016	Ha	
D769,061	S	10/2016	Diderotto	
D771,999	S *	11/2016	Kettavong .....	D7/386
D779,265	S	2/2017	Barquin et al.	
D783,340	S	4/2017	Palermo et al.	
D784,761	S	4/2017	Tu	
D789,735	S *	6/2017	Palermo .....	D7/386
D793,153	S *	8/2017	Tu .....	D7/386
D794,384	S *	8/2017	Lee .....	D7/386
D797,496	S	9/2017	Gee, II et al.	
D798,101	S	9/2017	Rose et al.	
D808,718	S	1/2018	Coakley	

D808,719	S	1/2018	Coakley	
9,855,535	B2	1/2018	Arnett et al.	
D809,333	S *	2/2018	Lee .....	D7/386
D811,806	S	3/2018	Bock	
D821,806	S *	7/2018	Coakley .....	D7/386
D832,029	S	10/2018	Gee, II et al.	
D842,643	S	3/2019	Mullen et al.	
D842,644	S *	3/2019	Kettavong .....	D7/378
D846,338	S *	4/2019	Smith .....	D7/378
D846,339	S *	4/2019	Smith .....	D7/378
D851,982	S	6/2019	Deleo et al.	
D865,438	S *	11/2019	Coakley .....	D7/386
D896,022	S	9/2020	Ye	
2014/0247686	A1 *	9/2014	Arnett .....	A47J 43/0761 366/205
2016/0287011	A1 *	10/2016	Deshayes .....	A47J 43/0772
2016/0324369	A1	11/2016	Lee	
2016/0331182	A1	11/2016	Golino	
2017/0341253	A1 *	11/2017	Arriens .....	A47J 43/0722

OTHER PUBLICATIONS

Japanese Application No. 201926608 filed Nov. 29, 2019; Notice of Allowance dated Mar. 11, 2020; 6 pages.  
 Amazon.com; "Addwin Countertop Blender Professional Commercial Mixer Blender"; Nov. 8, 2018; <https://www.amazon.com/dp/B07KBYWB7L/> (Year 2018); 1 page.  
 U.S. Appl. No. 29/740,202 filed Jul. 1, 2020; Restriction Requirement dated Oct. 2, 2020; 8 pages.  
 U.S. Appl. No. 29/740,283 filed Jul. 2, 2020; Restriction Requirement dated Oct. 2, 2020; 8 pages.

\* cited by examiner

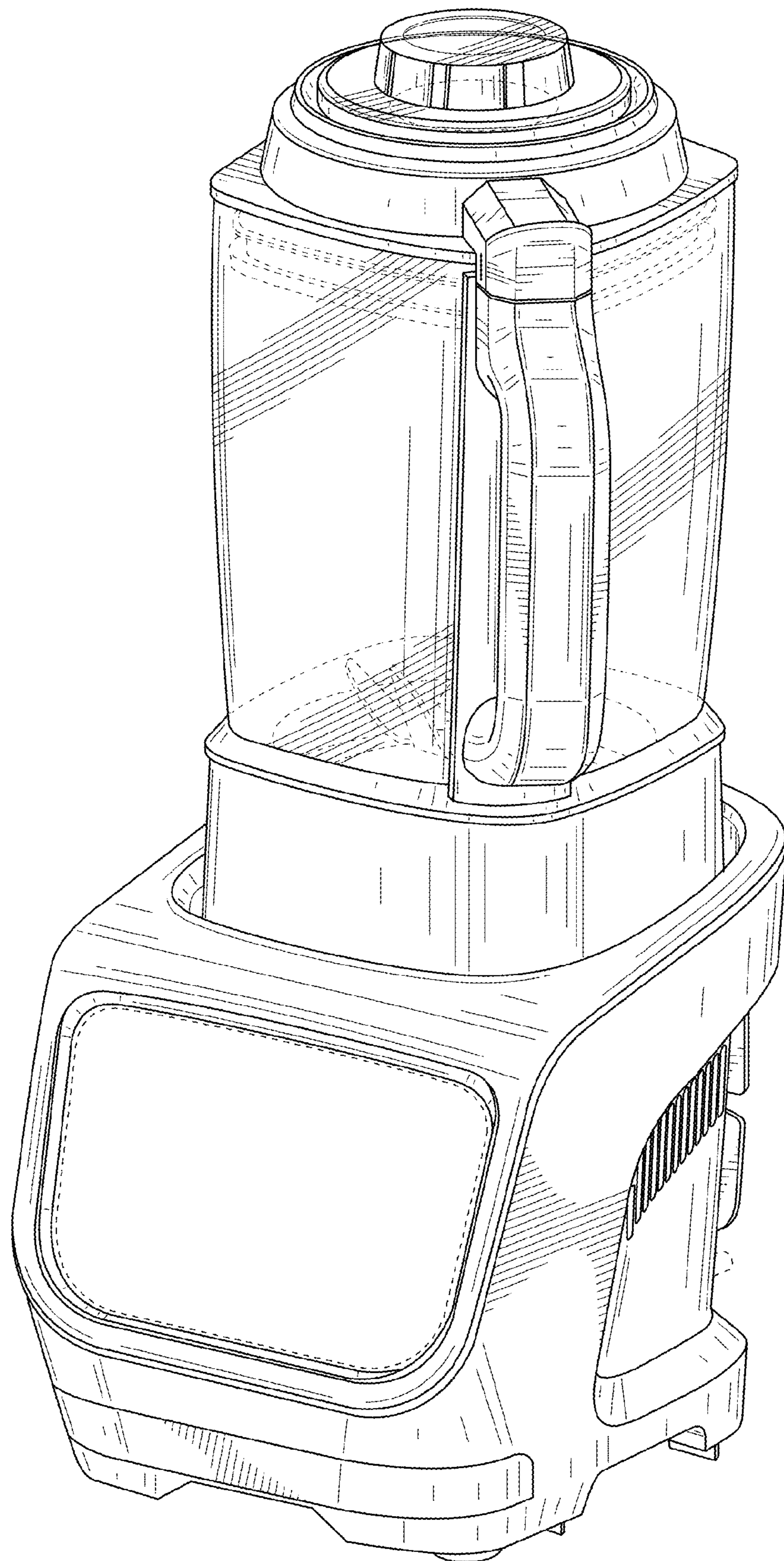


FIG. 1

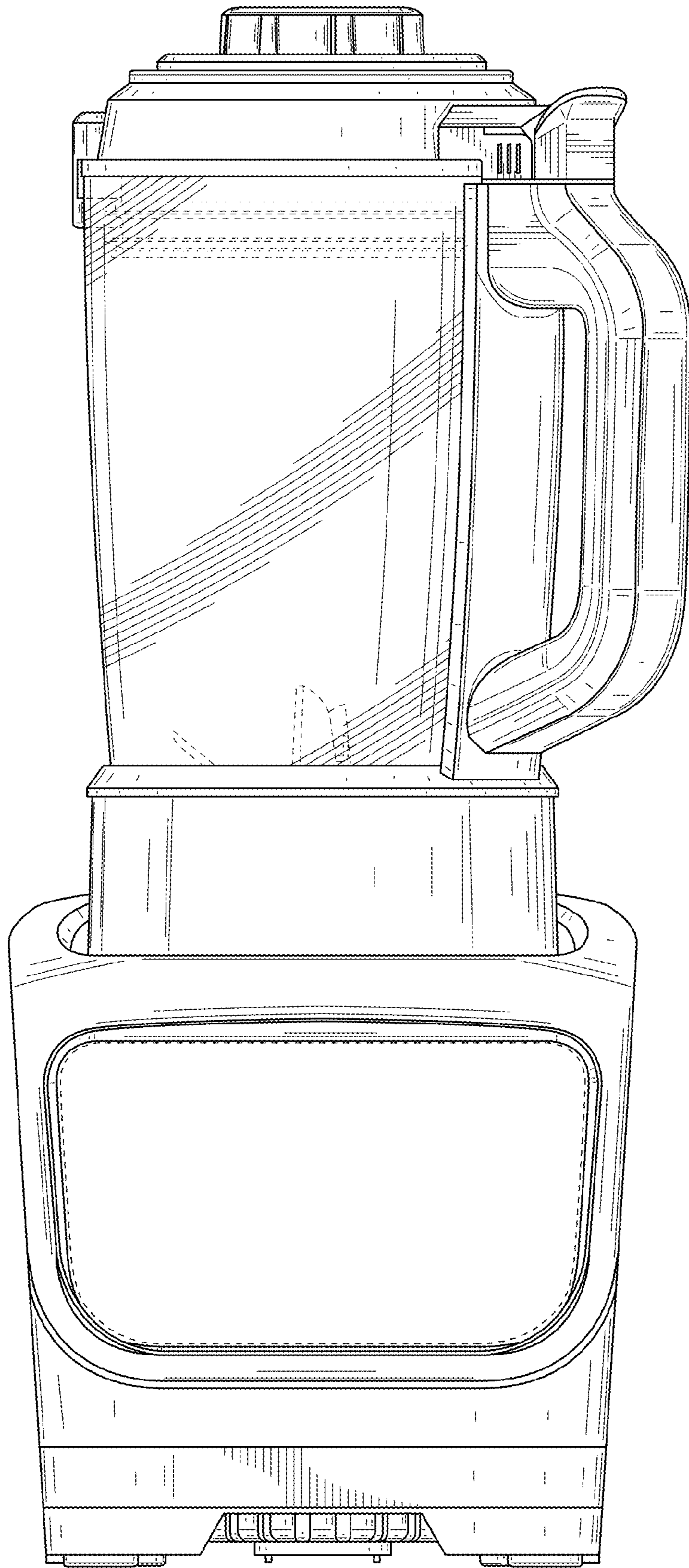


FIG. 2

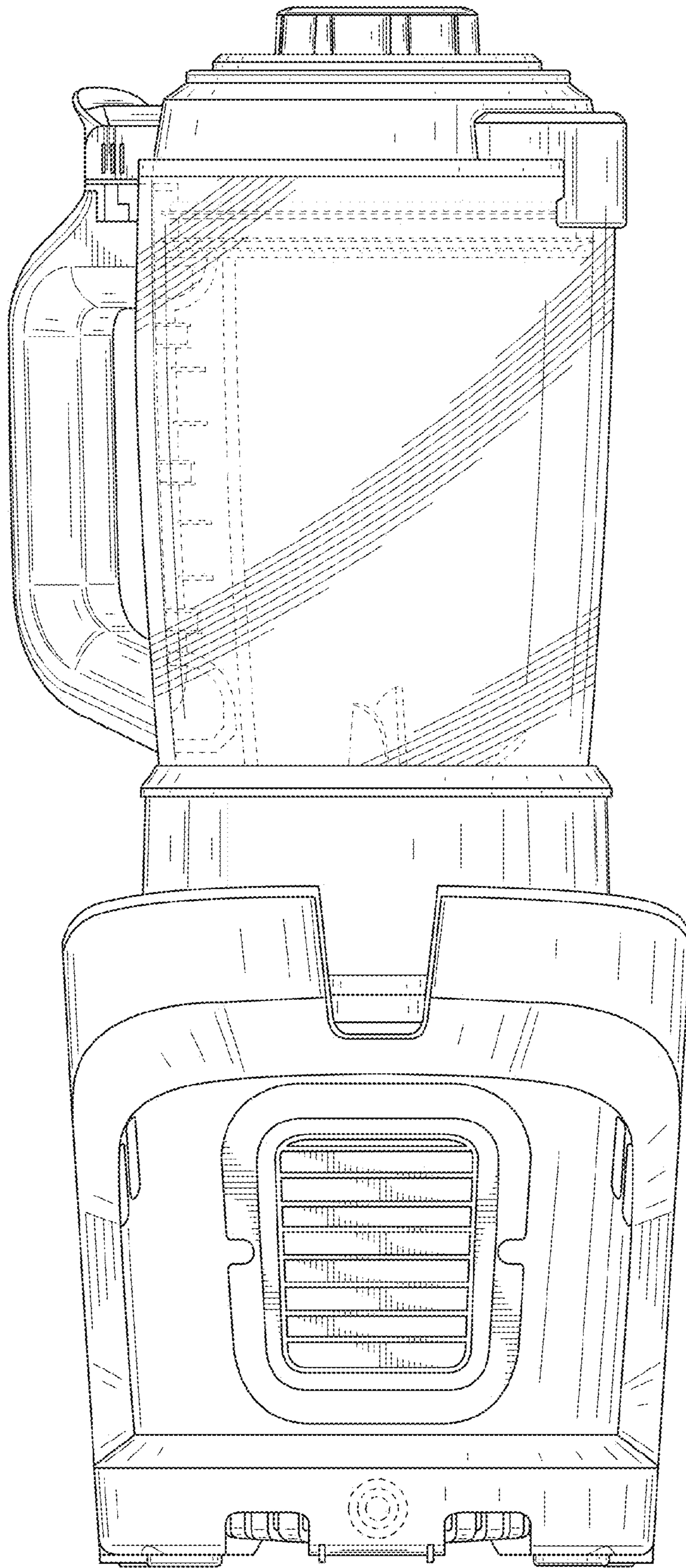


FIG. 3

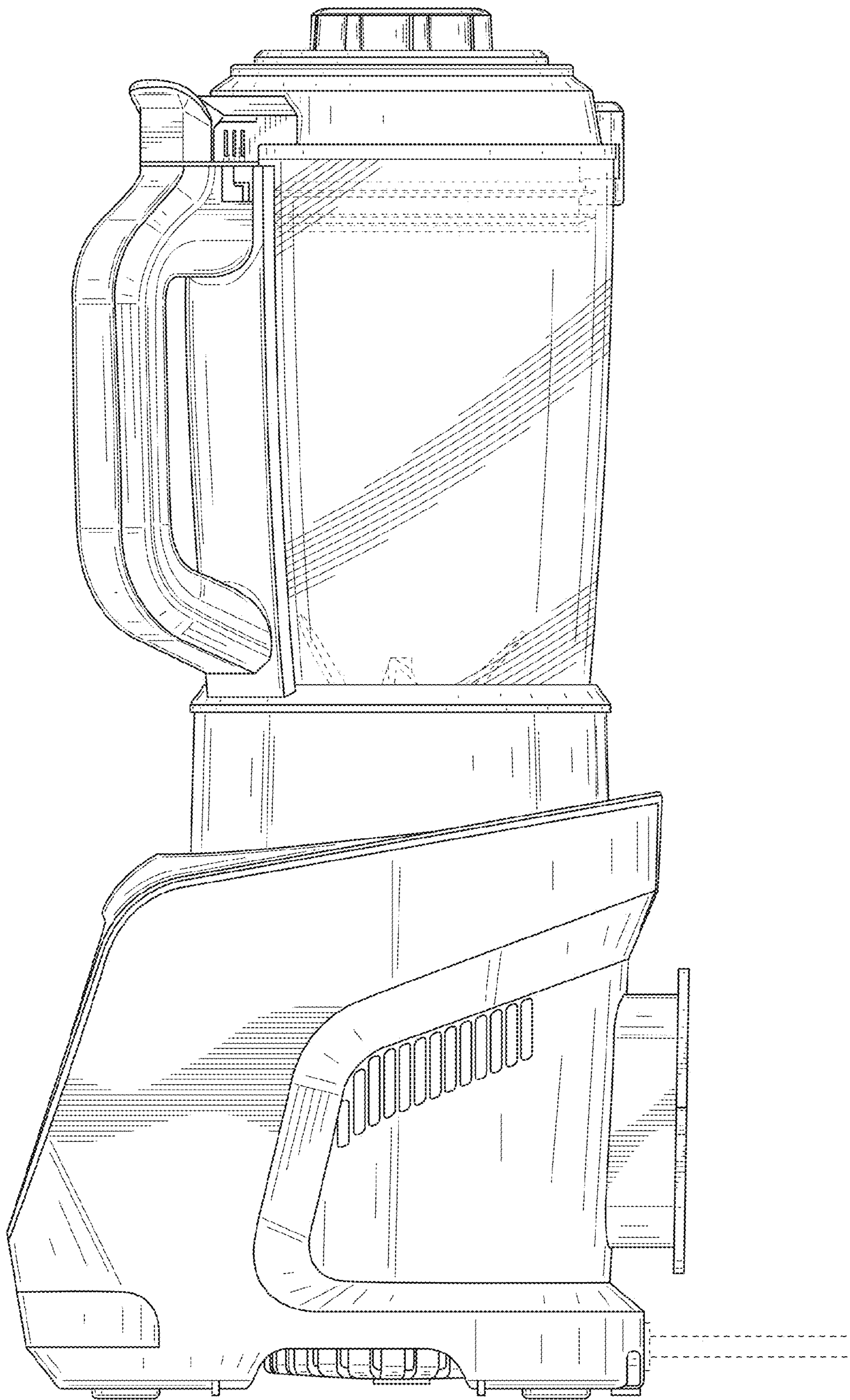


FIG. 4

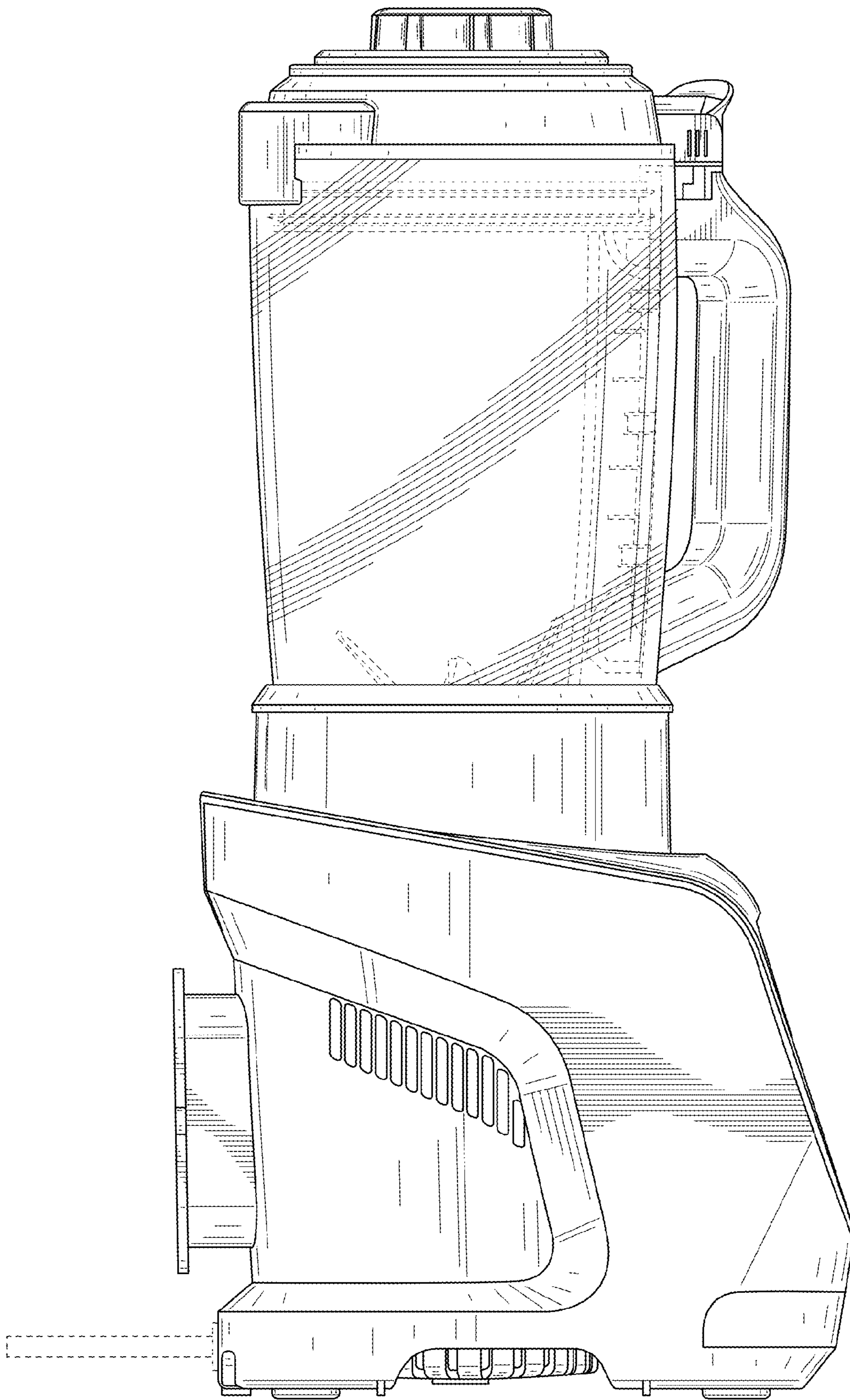


FIG. 5

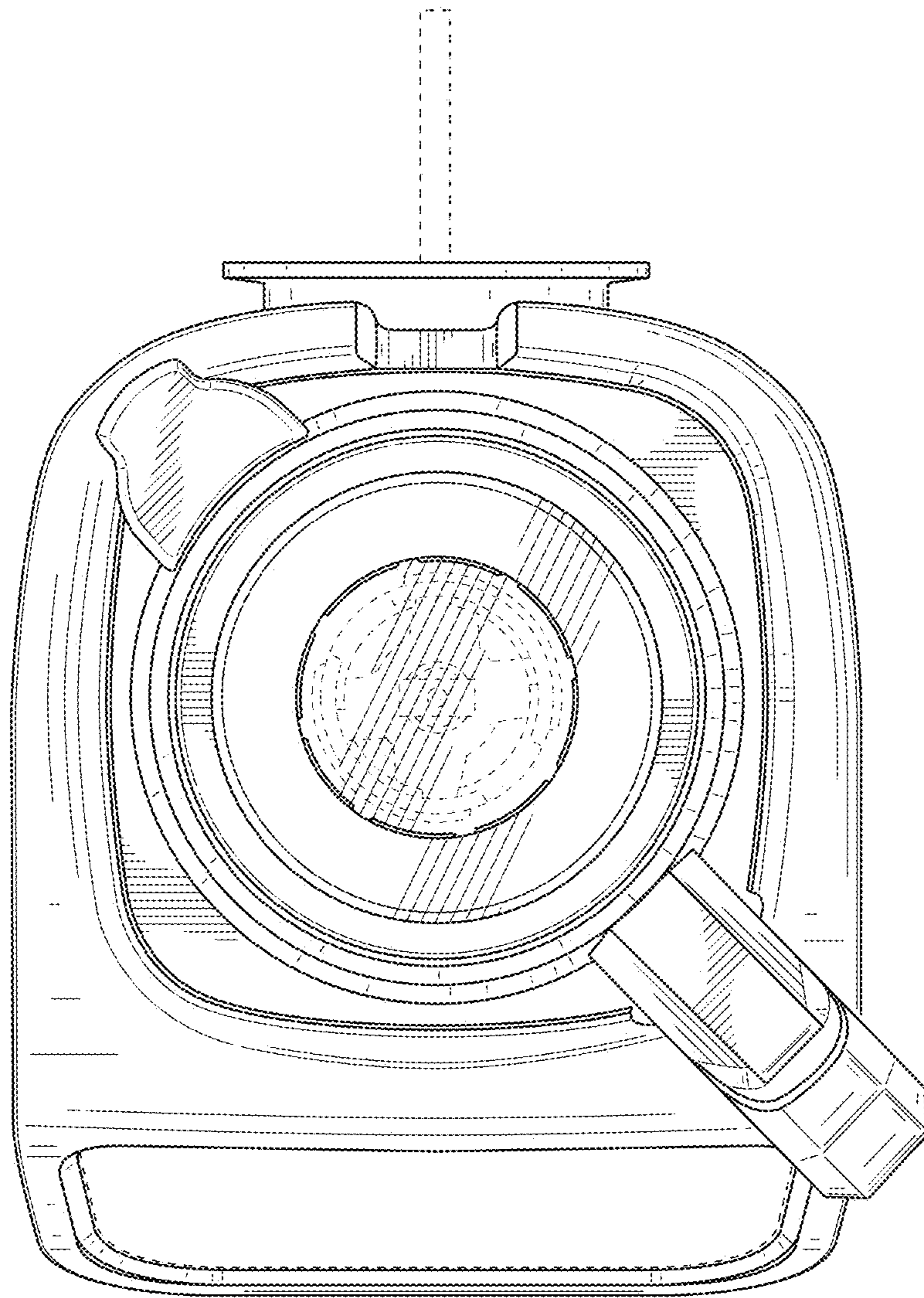


FIG. 6



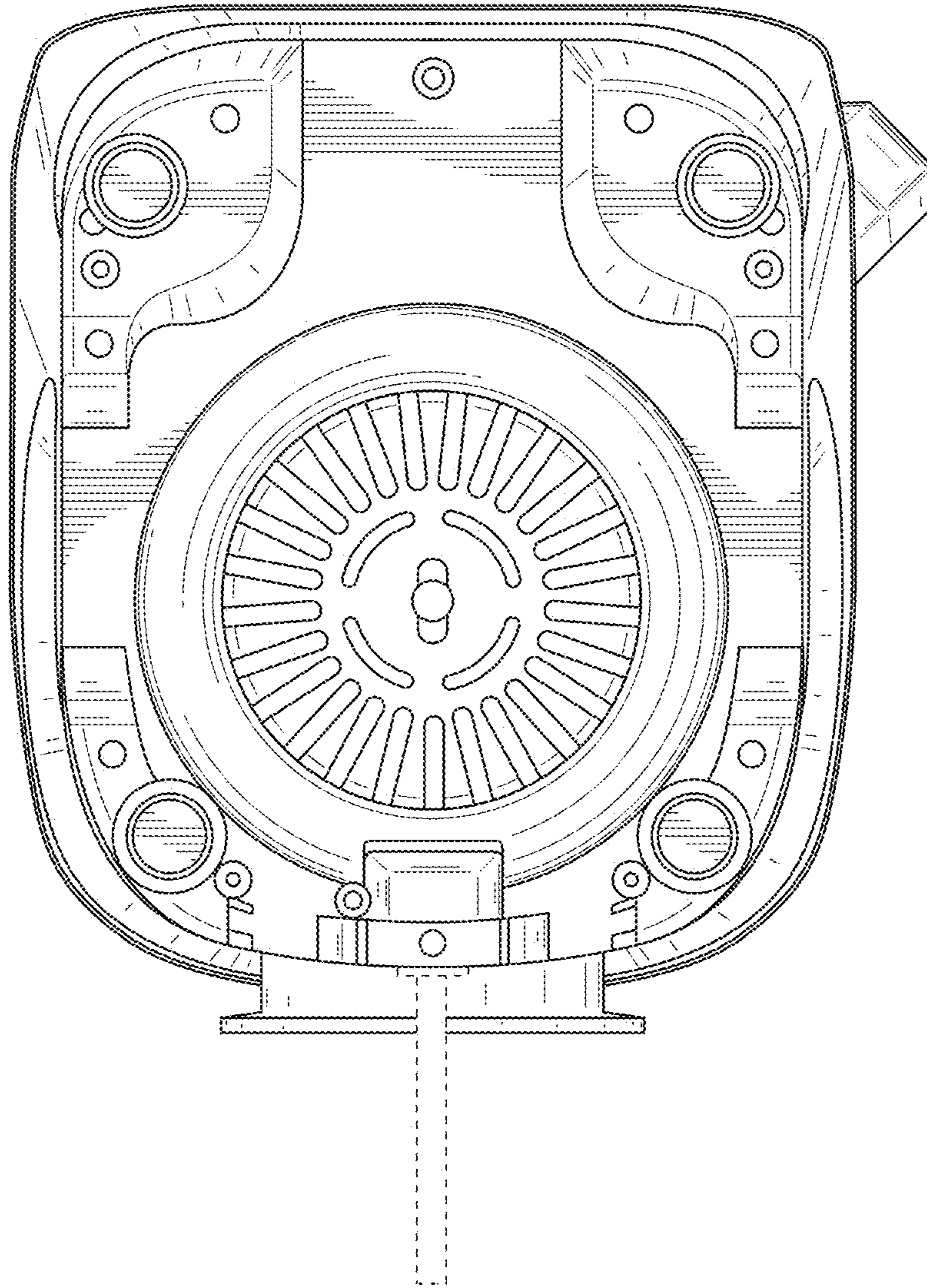


FIG. 7