



(56)

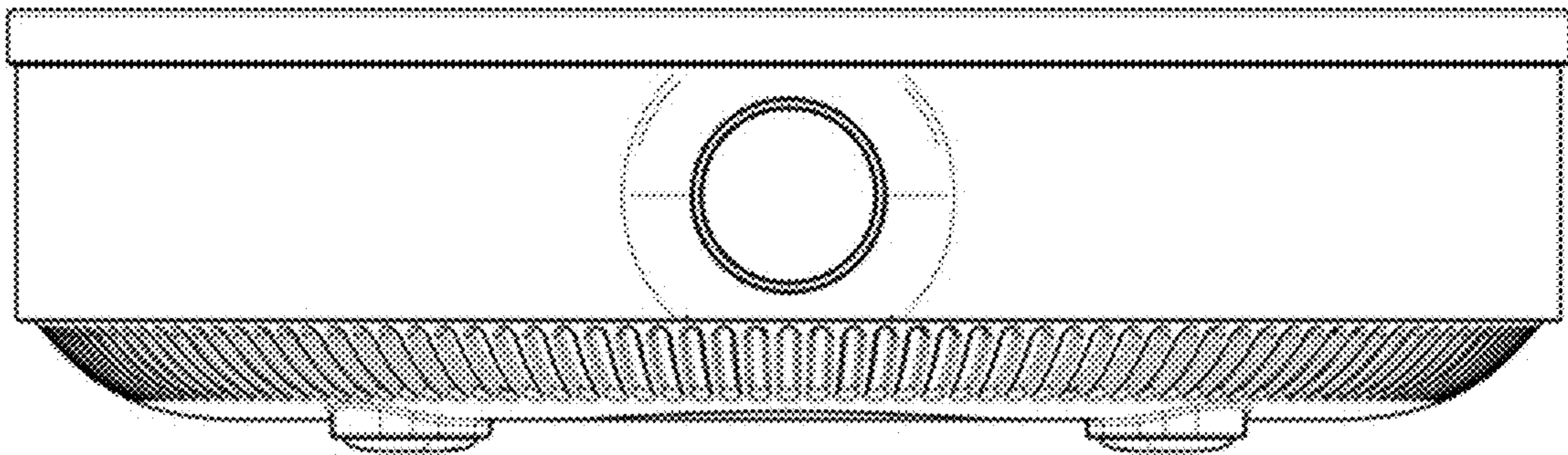
**References Cited**

OTHER PUBLICATIONS

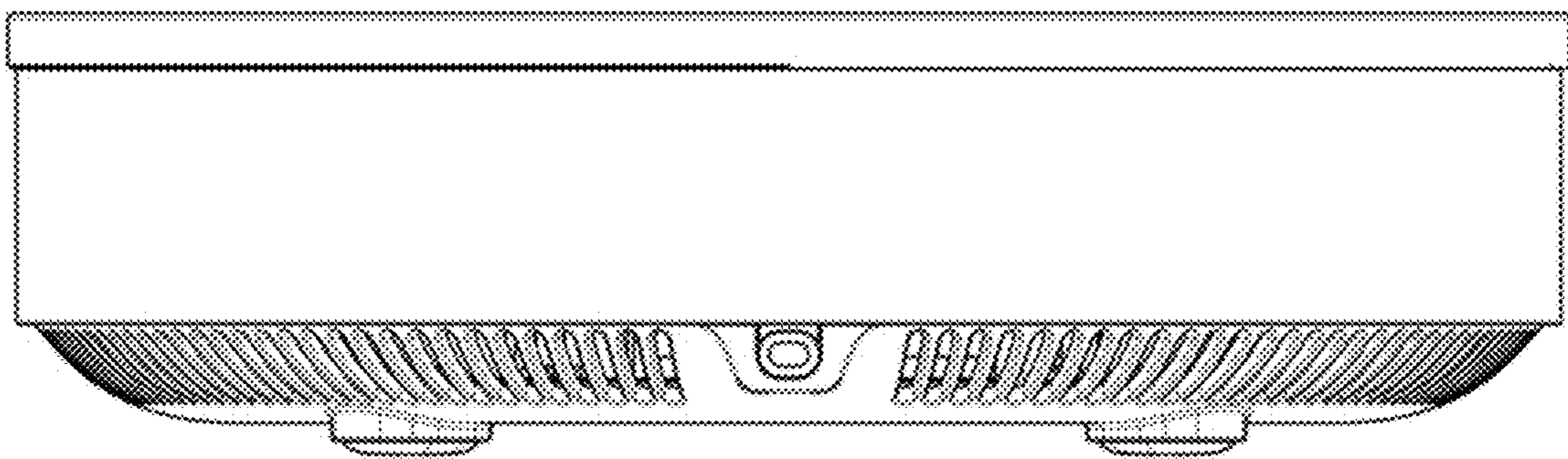
State Intellectual Property Office of the People's Republic of China,  
Office Action and Search Report Issued in Application No.  
2018305497490, dated Dec. 20, 2018, 2 pages. (Submitted with  
English Translation).

\* cited by examiner

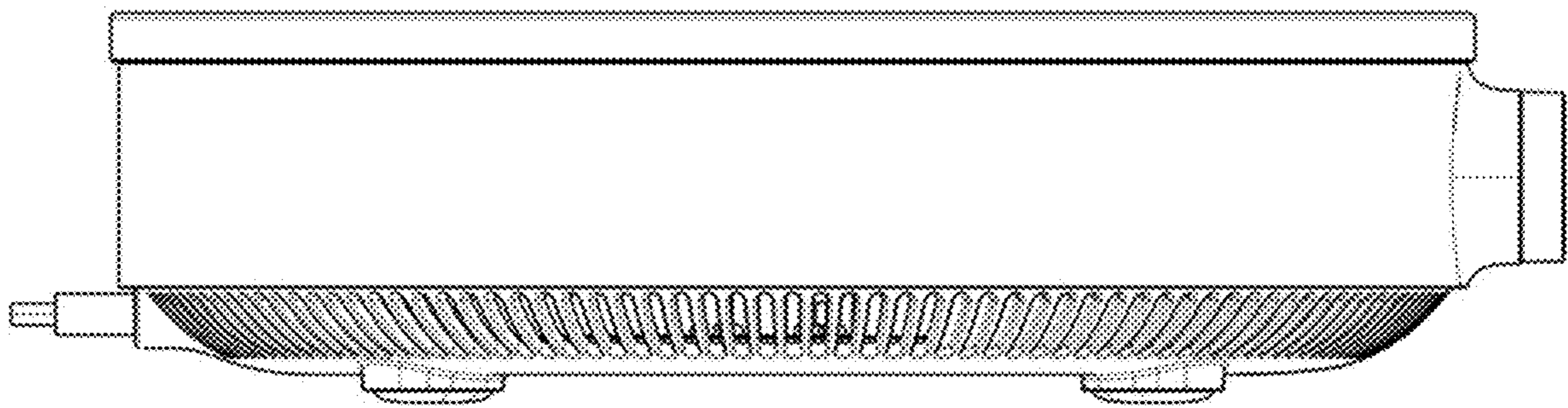
1.1



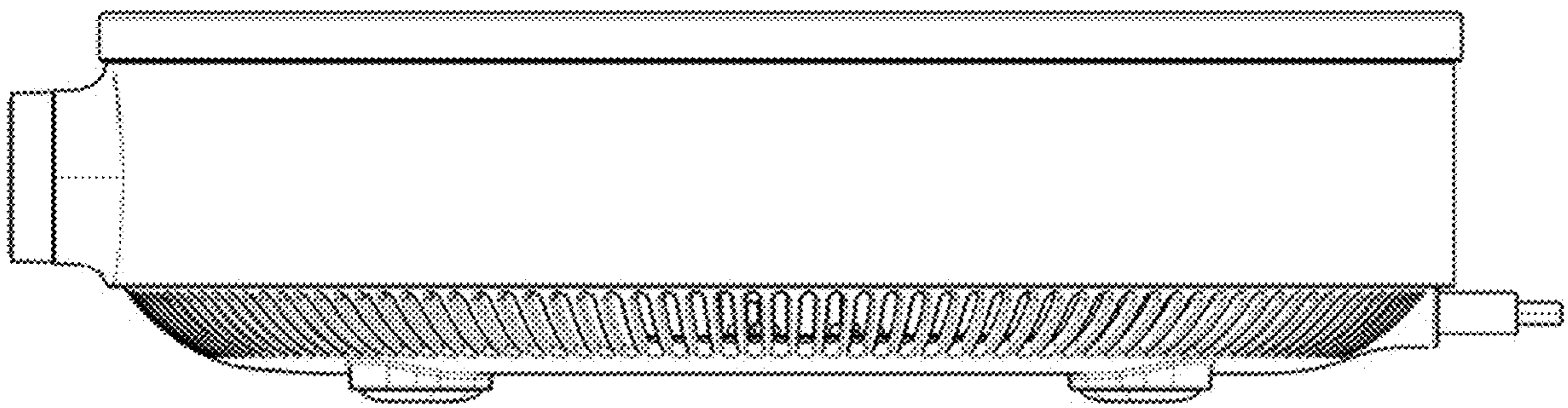
1.2



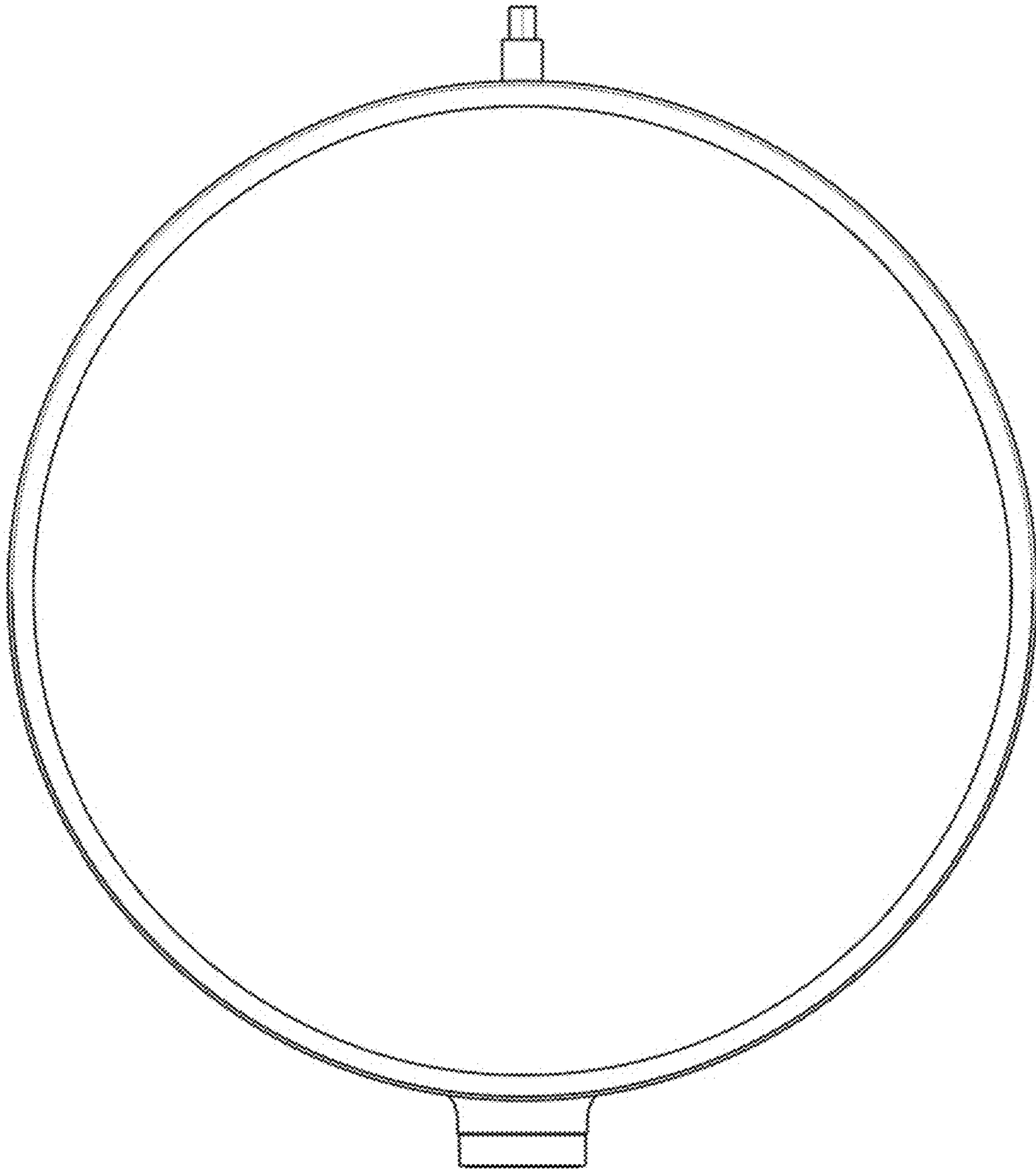
1.3



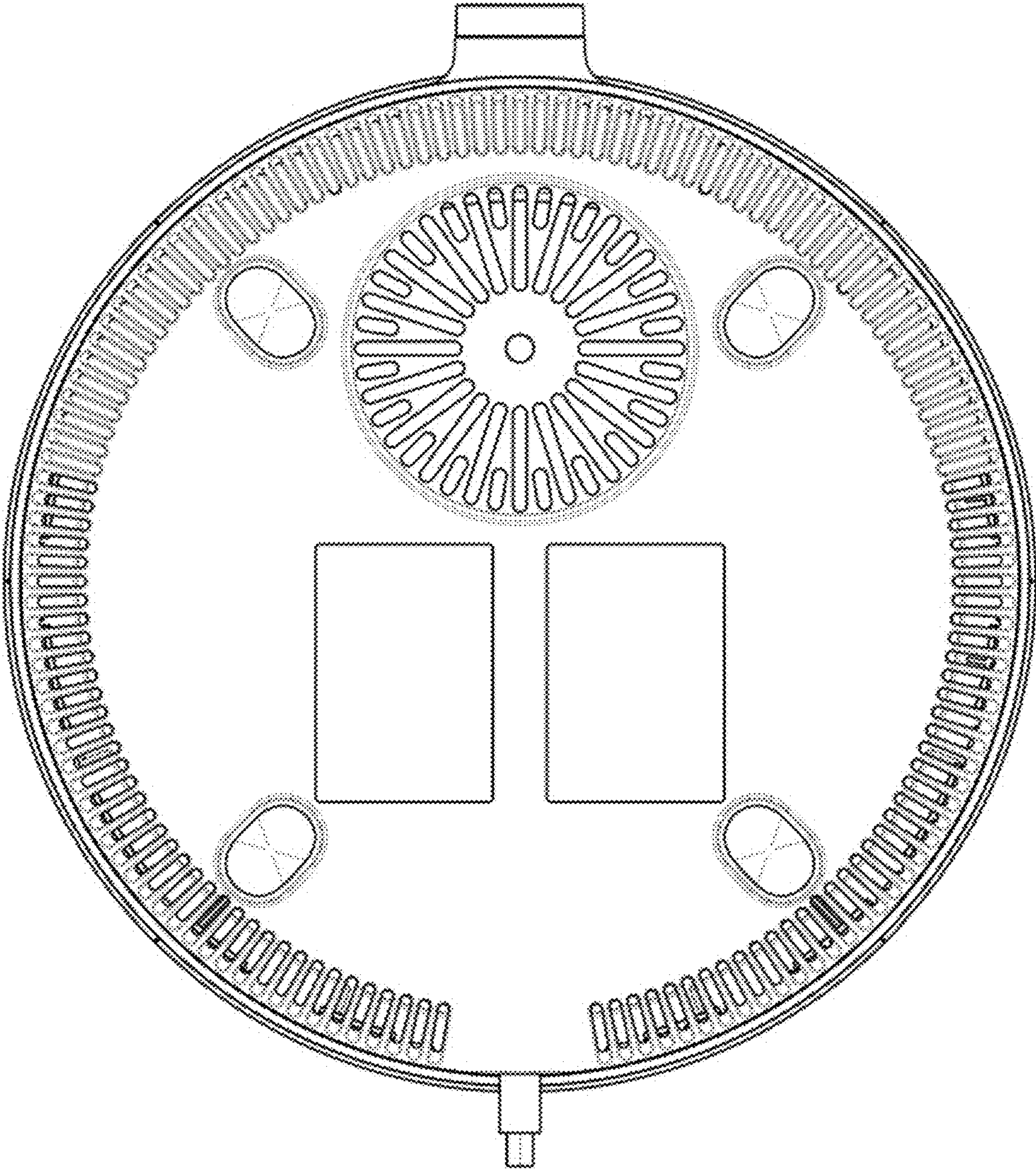
1.4



1.5

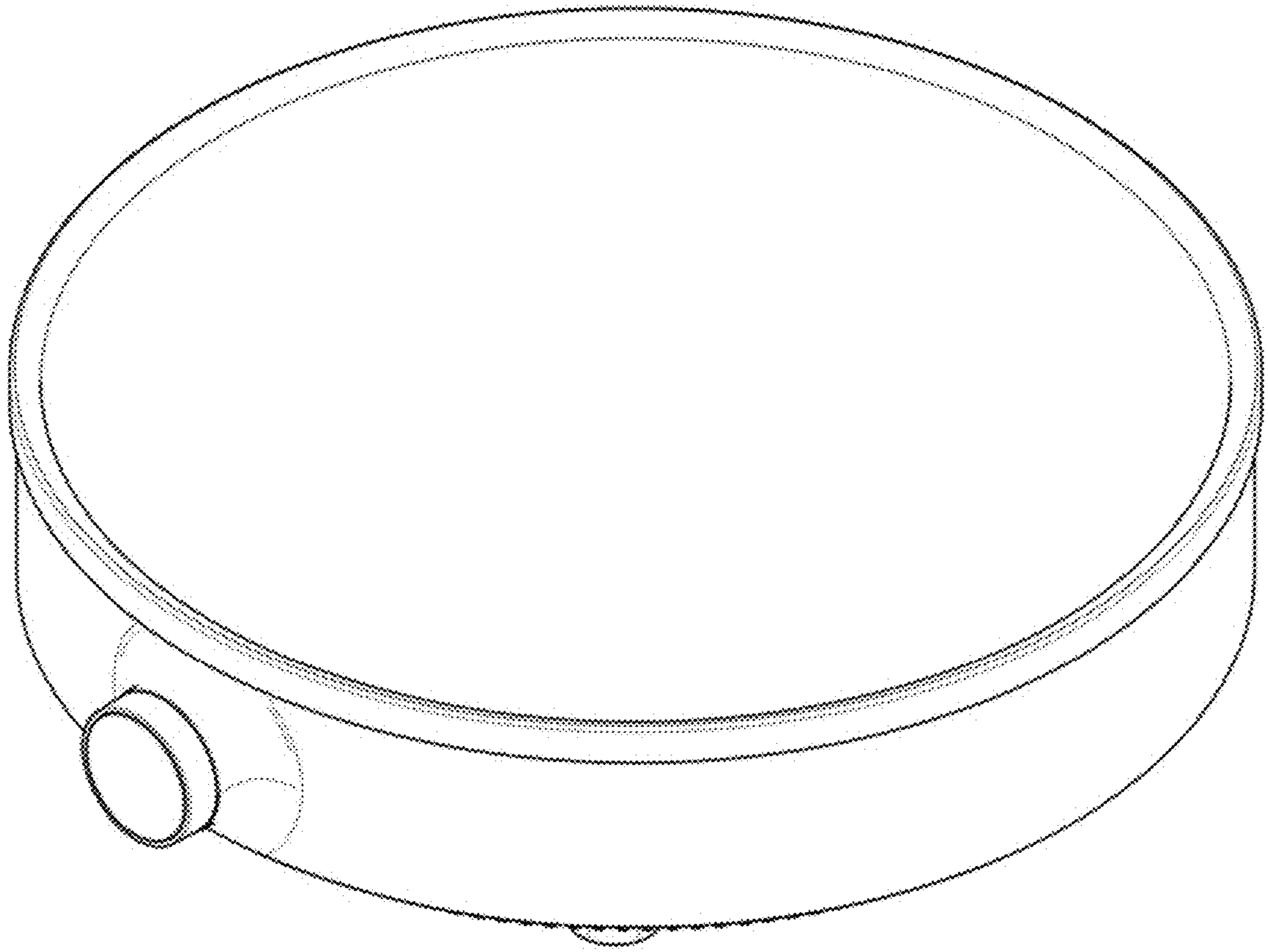


1.6





1.7



1.8

