



US00D911762S

(12) **United States Design Patent** (10) **Patent No.:** **US D911,762 S**
Van Faasen (45) **Date of Patent:** **** Mar. 2, 2021**

(54) **CHAIR**
(71) Applicant: **HERMAN MILLER, INC.**, Zeeland, MI (US)
(72) Inventor: **Joel Graham Van Faasen**, Holland, MI (US)
(73) Assignee: **HERMAN MILLER, INC.**, Zeeland, MI (US)
(**) Term: **15 Years**
(21) Appl. No.: **29/675,529**

7,445,287 B2 11/2008 Chou
8,029,066 B2 * 10/2011 Su A47C 7/40
297/452.18
8,308,240 B1 11/2012 Chou et al.
D703,457 S 4/2014 Plikat et al.
8,690,249 B2 4/2014 Kang et al.
D709,312 S 7/2014 Giugiaro
8,845,024 B2 9/2014 Beyer et al.
8,926,016 B2 1/2015 Behar et al.
D734,971 S * 7/2015 Izawa D6/716.4
D773,199 S * 12/2016 Neil D6/366
D782,240 S * 3/2017 Wada D6/716.4
D793,141 S * 8/2017 Igarashi D6/716.4
D810,487 S * 2/2018 Kim D6/716.4
D834,844 S * 12/2018 Chan D6/366

(Continued)

(22) Filed: **Jan. 3, 2019**
(51) **LOC (13) Cl.** **06-01**
(52) **U.S. Cl.**
USPC **D6/716.4; D6/366**
(58) **Field of Classification Search**
USPC D6/334-336, 364, 365, 366, 367, 374,
D6/379, 716, 716.1, 716.4
CPC A47C 7/004; A47C 7/006; A47C 7/18;
A47C 7/24; A47C 7/282; A47C 7/285;
A47C 7/40; A47C 7/46; A47C 7/462;
A47C 7/54; A47C 7/541
See application file for complete search history.

FOREIGN PATENT DOCUMENTS

WO 01/70075 A1 9/2001
Primary Examiner — Mimosa De
(74) *Attorney, Agent, or Firm* — Michael Best & Friedrich LLP

(57) **CLAIM**

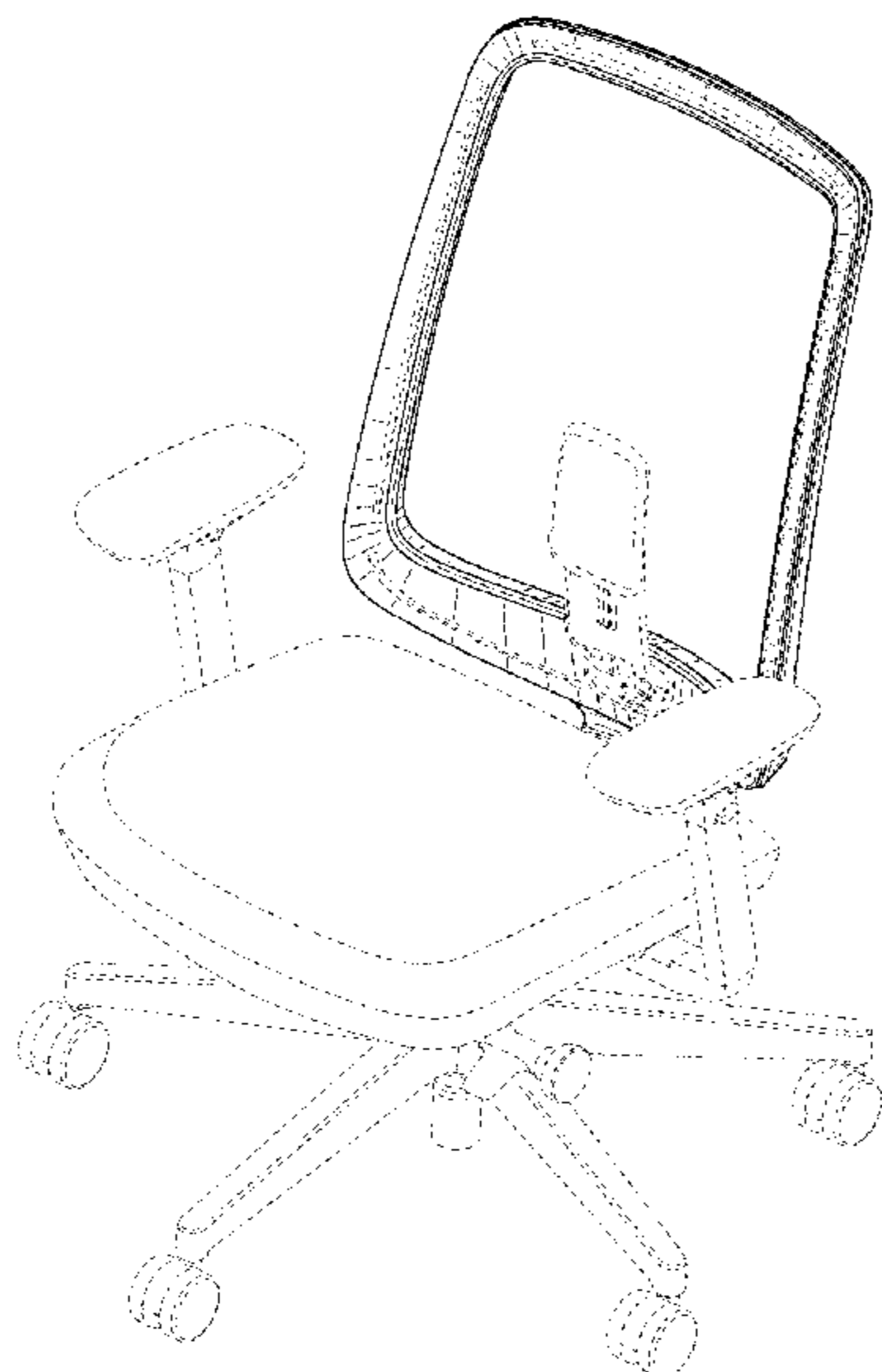
I claim the ornamental design for a chair, as shown and described.

DESCRIPTION

FIG. 1 is a front perspective view of a chair according to one embodiment of the invention.
FIG. 2 is a back perspective view of the chair of FIG. 1.
FIG. 3 is a first side view of the chair of FIG. 1.
FIG. 4 is a second side view of the chair of FIG. 1.
FIG. 5 is a front view of the chair of FIG. 1.
FIG. 6 is a back view of the chair of FIG. 1.
FIG. 7 is a top view of the chair of FIG. 1; and,
FIG. 8 is a bottom view of the chair of FIG. 1.
Portions of the chair shown in broken lines form no part of the claimed design.

1 Claim, 8 Drawing Sheets

(56) **References Cited**
U.S. PATENT DOCUMENTS
4,730,871 A 3/1988 Sheldon
5,921,630 A 7/1999 Cassaday
5,967,608 A 10/1999 Van Sickle
5,975,632 A 11/1999 Ginat
6,059,362 A 5/2000 Lin
6,419,318 B1 7/2002 Albright
6,698,833 B2 3/2004 Ball et al.
6,957,861 B1 10/2005 Chou et al.
D511,914 S 11/2005 Edwards et al.
6,981,743 B2 1/2006 Edwards et al.
7,347,495 B2 3/2008 Beyer et al.
D572,948 S 7/2008 Wakasugi et al.



(56)

References Cited

U.S. PATENT DOCUMENTS

D869,889 S * 12/2019 Deevers D6/716.4
D869,890 S * 12/2019 Deevers D6/716.4
D870,479 S * 12/2019 Deevers D6/366
D889,152 S * 7/2020 Hecht D6/366

* cited by examiner

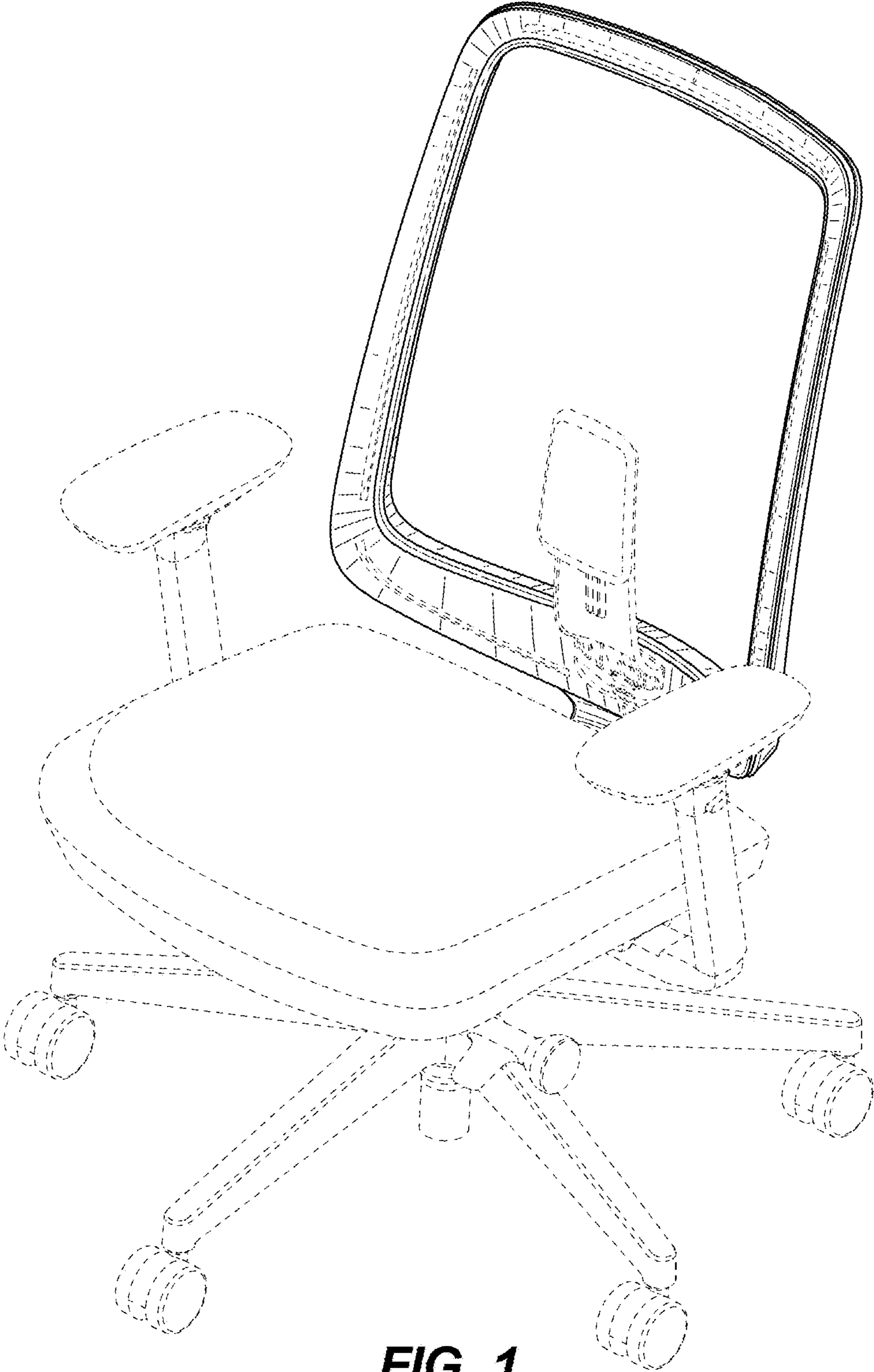


FIG. 1

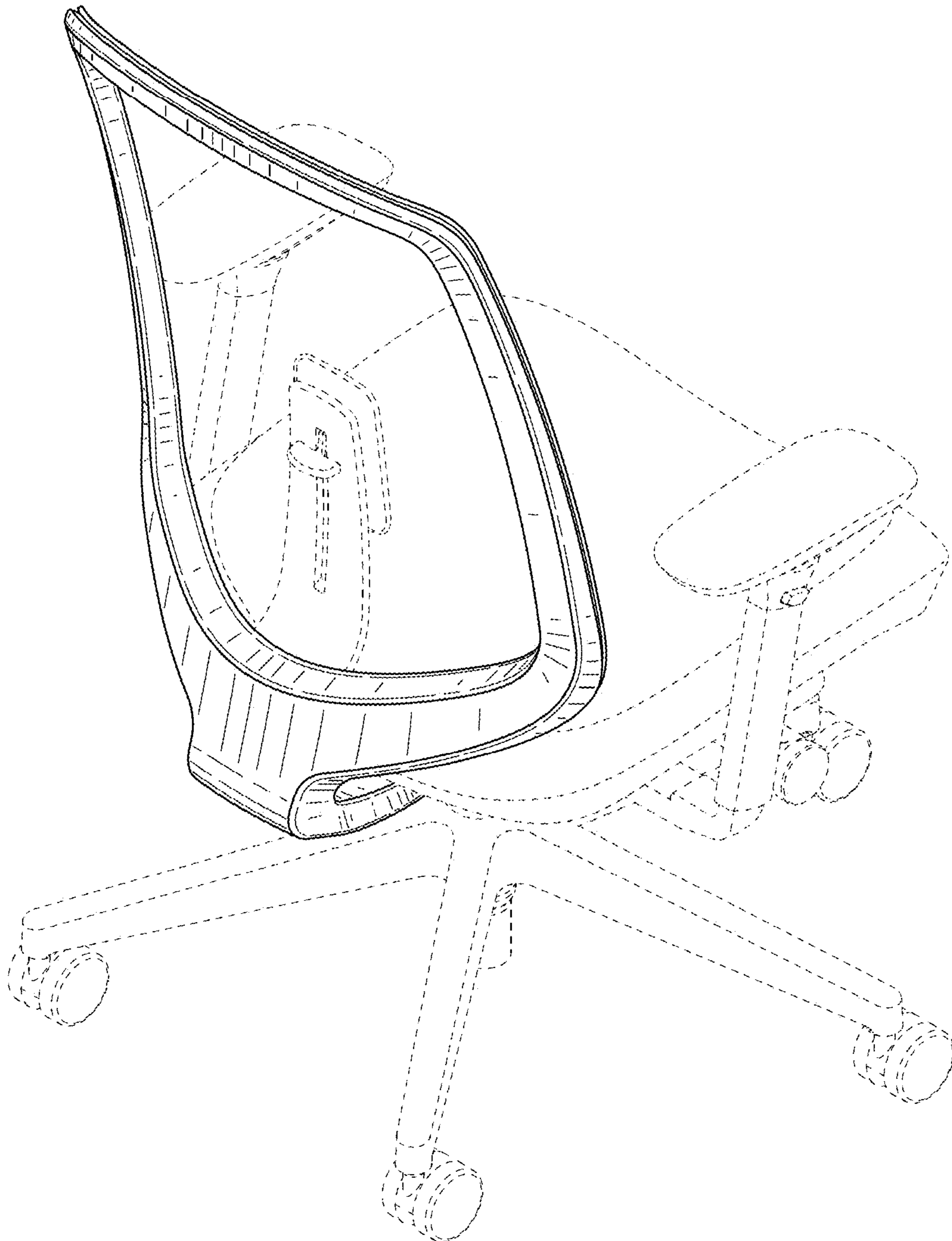


FIG. 2

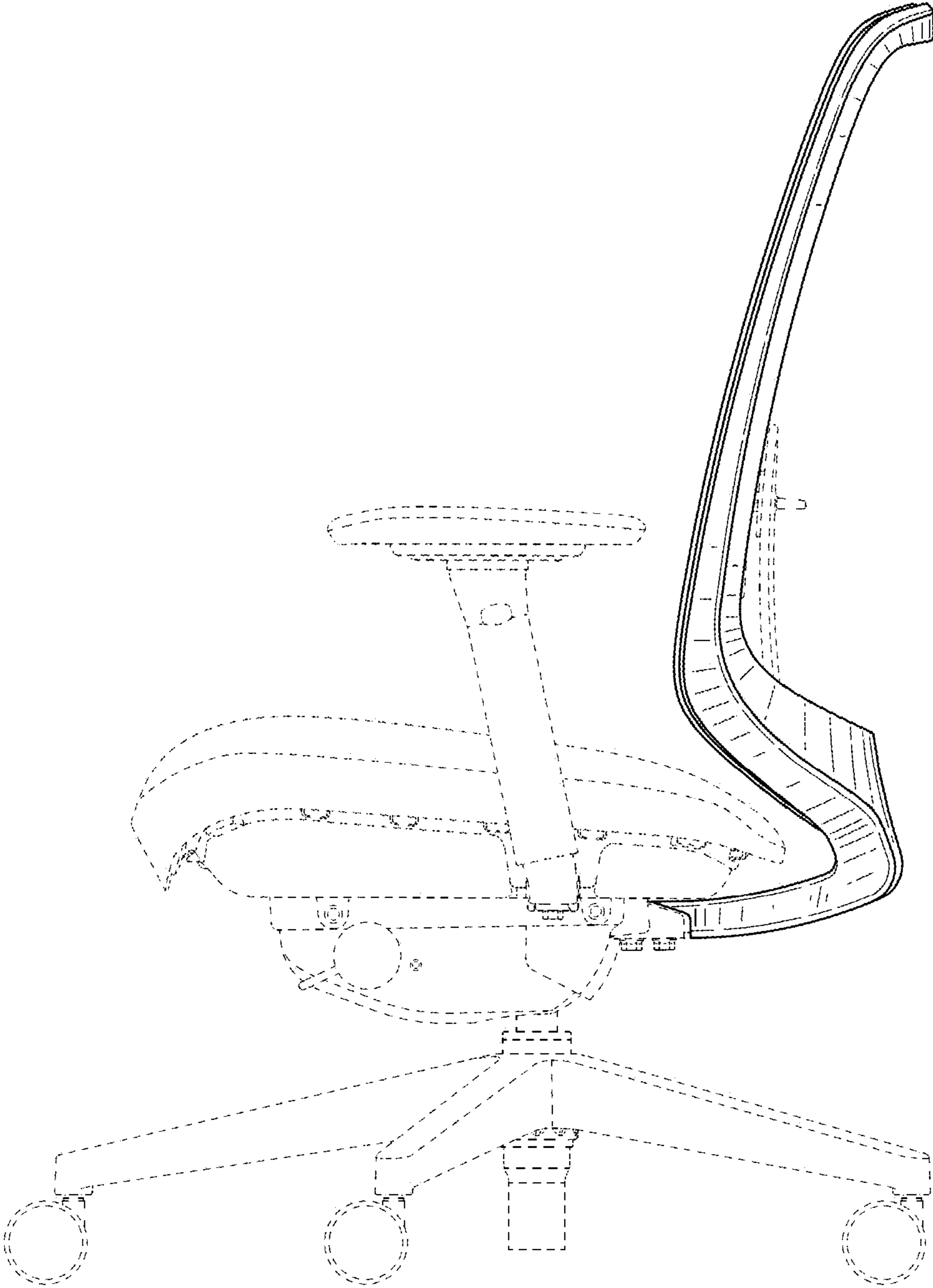


FIG. 3

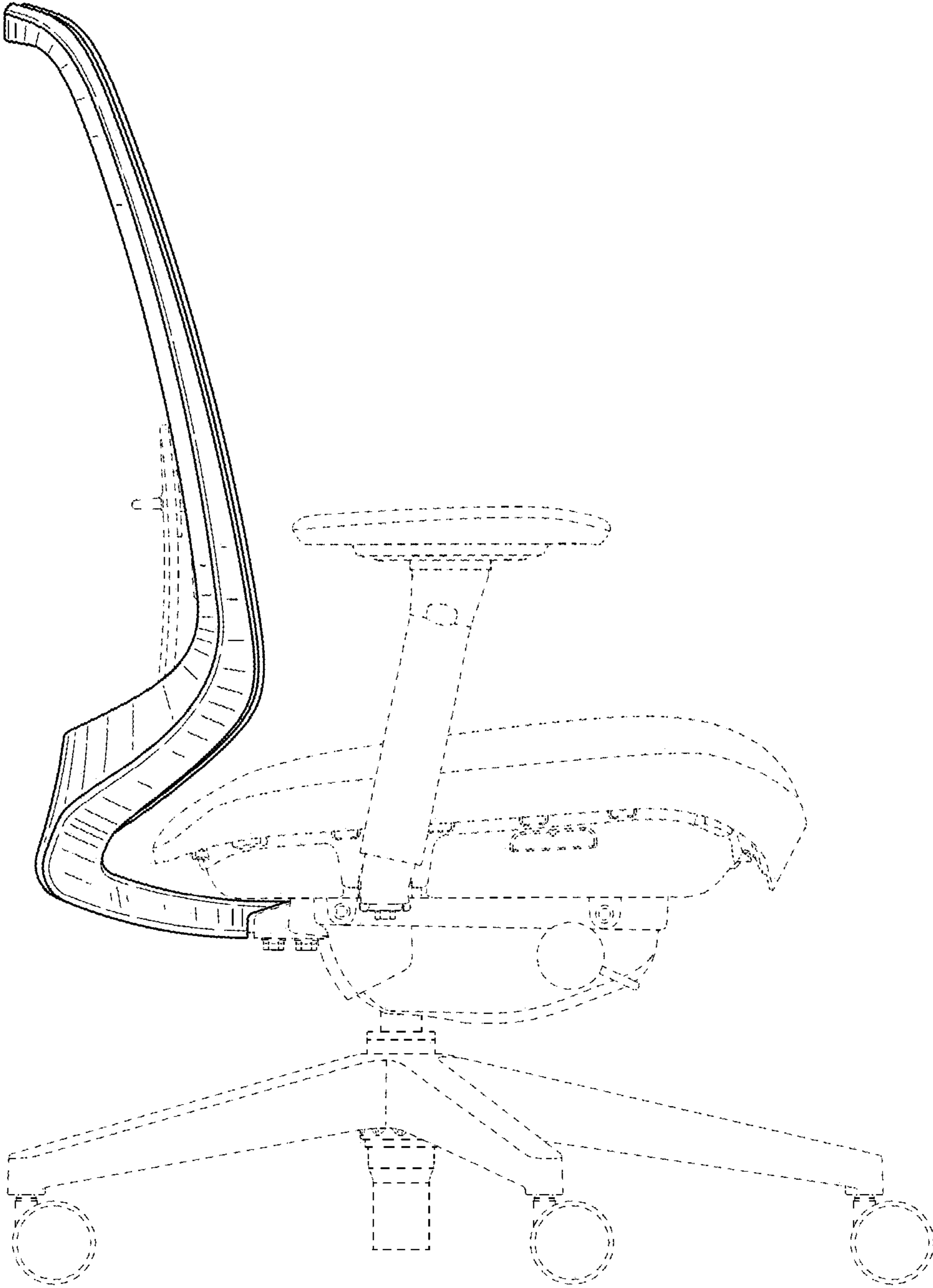


FIG. 4

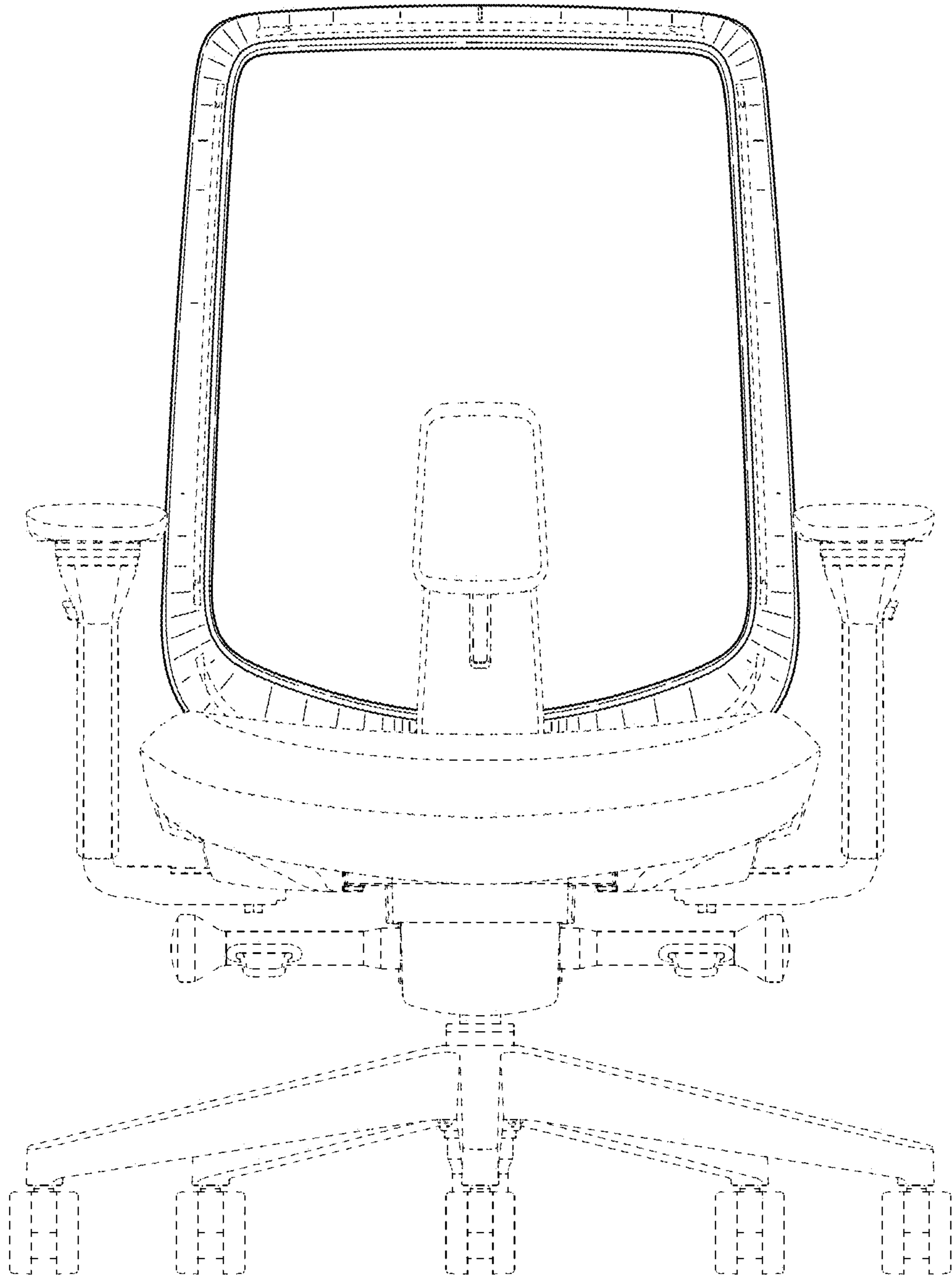


FIG. 5

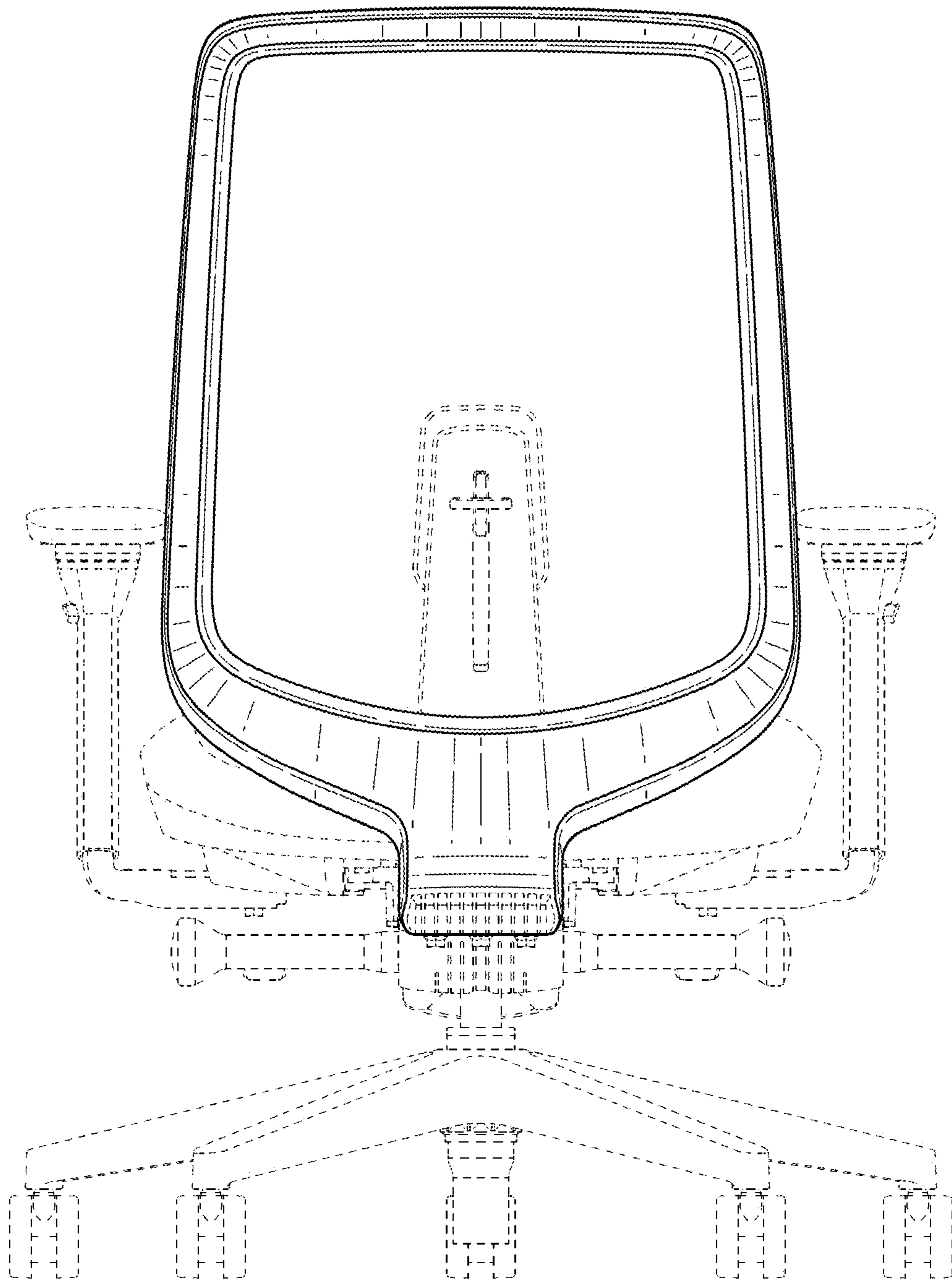


FIG. 6

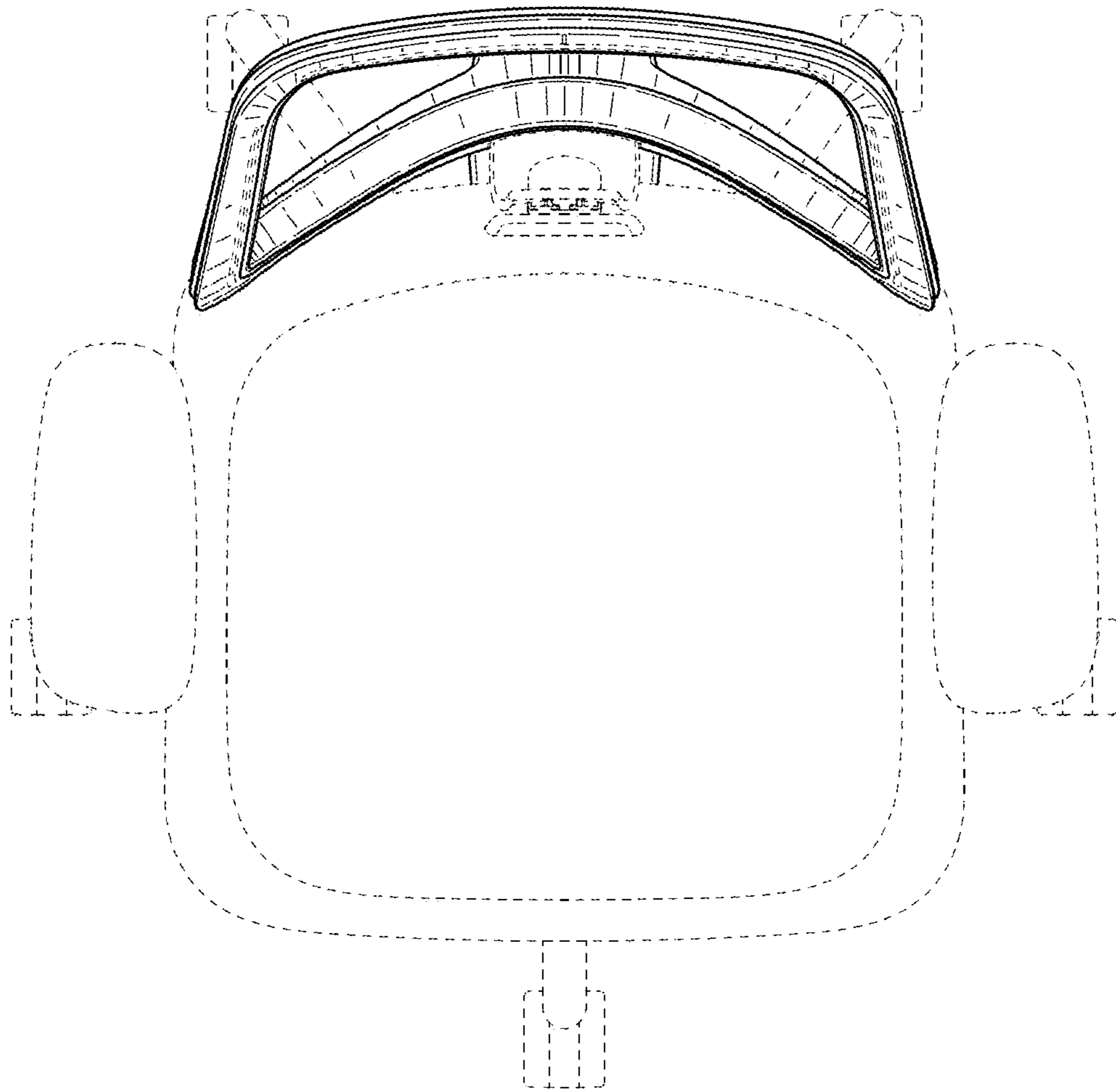


FIG. 7

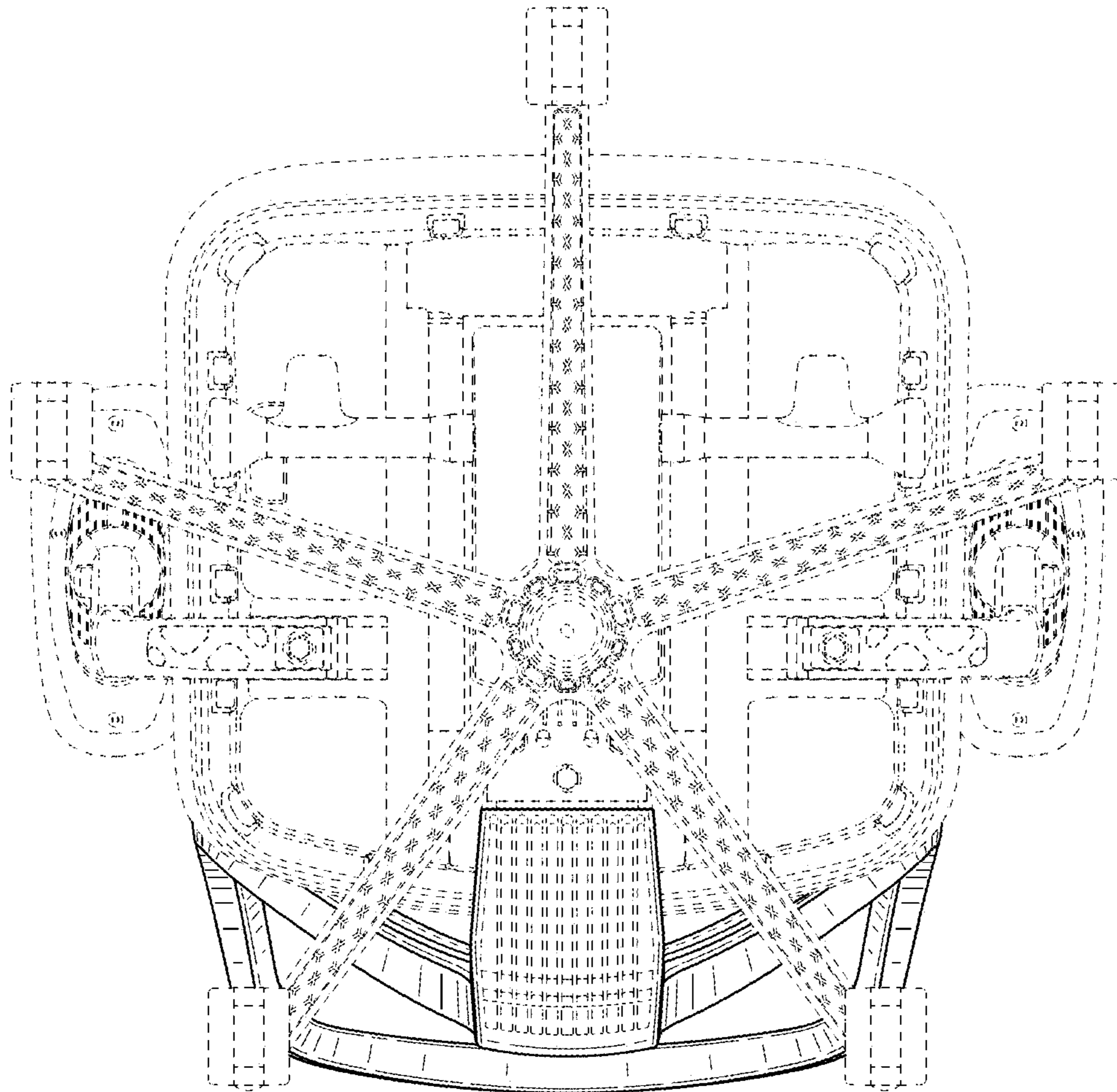


FIG. 8