



US00D911761S

(12) **United States Design Patent** (10) **Patent No.:** **US D911,761 S**
Sampath (45) **Date of Patent:** **** Mar. 2, 2021**

- (54) **PRIVACY SCREEN**
- (71) Applicant: **HERMAN MILLER, INC.**, Zeeland, MI (US)
- (72) Inventor: **Sathishkumar Sampath**, Holland, MI (US)
- (73) Assignee: **HERMAN MILLER, INC.**, Zeeland, MI (US)
- (**) Term: **15 Years**
- (21) Appl. No.: **29/683,369**
- (22) Filed: **Mar. 12, 2019**
- (51) **LOC (13) Cl.** **06-06**
- (52) **U.S. Cl.**
USPC **D6/714**
- (58) **Field of Classification Search**
USPC D6/329, 332, 640, 643, 643.1, 653, D6/653.17, 699.5, 702, 704, 714
CPC A47B 7/00; A47B 13/00; A47B 13/02; A47B 13/04; A47B 13/06; A47B 13/08; A47B 13/083; A47B 17/00; A47B 21/00; A47B 2200/0001; A47B 2200/0011; A47B 2200/002; A47B 2200/0084; A47B 2200/0012; A47B 2220/0052
See application file for complete search history.

- D588,850 S * 3/2009 Goldberg D6/707.15
- D613,970 S * 4/2010 Switzer D6/699.5
- D615,919 S 5/2010 Bock
- RE45,474 E 4/2015 Andre et al.
- D732,866 S * 6/2015 Terwelp A47B 13/00 D6/702
- D774,339 S 12/2016 Parshad
(Continued)

OTHER PUBLICATIONS

Ex Parte Quayle Action issued from the US Patent Office for related U.S. Appl. No. 29/683,370 dated Oct. 30, 2020 (5 pages including 892 form).

Primary Examiner — Mary Ann Calabrese
(74) *Attorney, Agent, or Firm* — Michael Best & Friedrich LLP

(57) **CLAIM**

I claim the ornamental design for a privacy screen, as shown and described.

DESCRIPTION

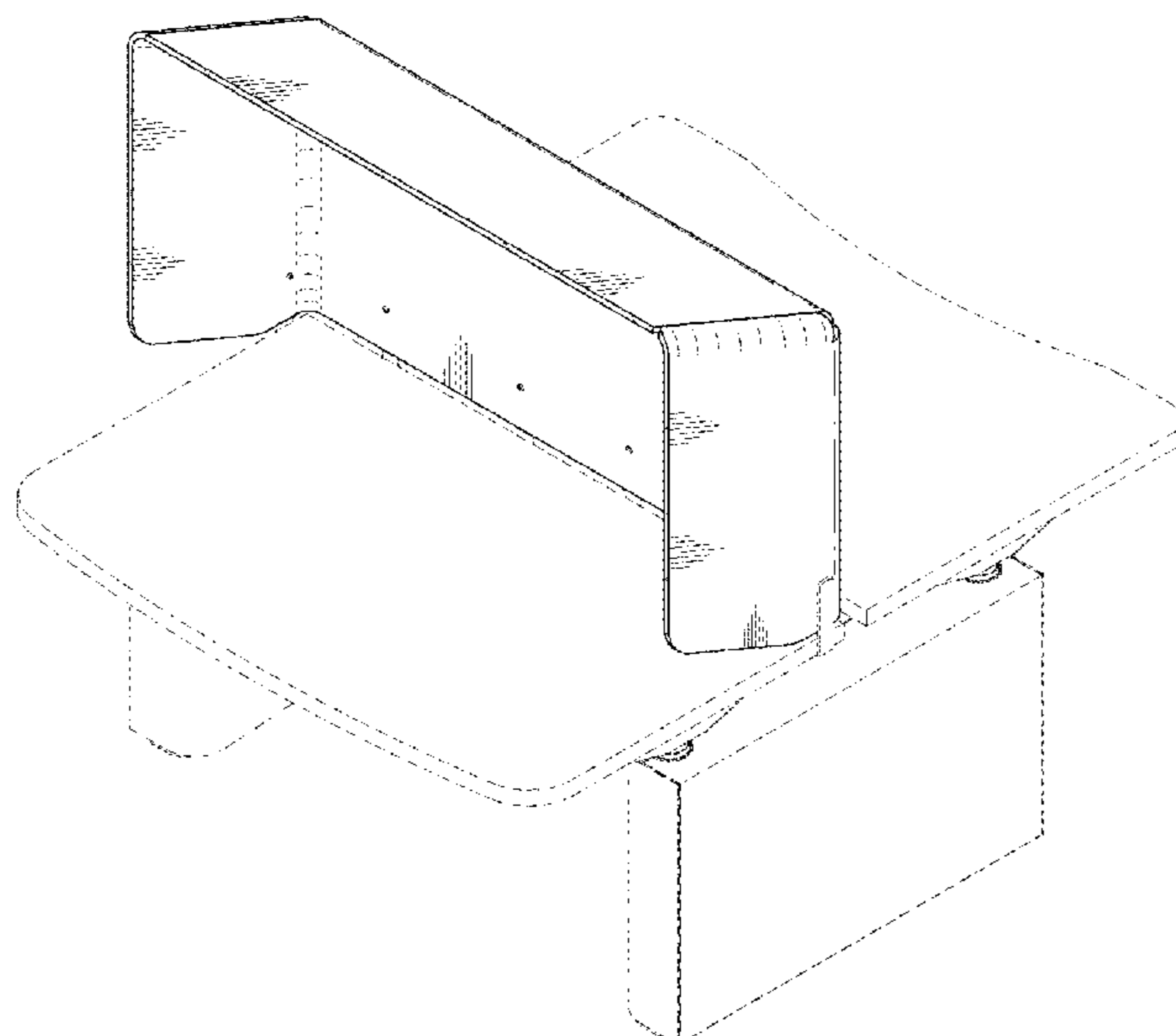
FIG. 1 is a perspective view of a privacy screen coupled to a support surface.
 FIG. 2 is a front perspective view of the privacy screen of FIG. 1.
 FIG. 3 is a front view of the privacy screen shown in FIG. 1.
 FIG. 4 is a rear view of the privacy screen shown in FIG. 1.
 FIG. 5 is a first side view of the privacy screen shown in FIG. 1.
 FIG. 6 is a second side view of the privacy screen shown in FIG. 1.
 FIG. 7 is a top view of the screen privacy shown in FIG. 1; and,
 FIG. 8 is a bottom view of the privacy screen in FIG. 1.
 The broken lines in the drawings illustrate environment and form no part of the claimed design.

1 Claim, 5 Drawing Sheets

(56) **References Cited**

U.S. PATENT DOCUMENTS

- 3,544,184 A * 12/1970 Laws A47B 19/08 312/259
- D235,954 S * 7/1975 Holland D6/643
- D239,350 S * 3/1976 Vogt D6/651.1
- 4,863,242 A 9/1989 Correa
- D382,735 S 8/1997 Zapf
- 5,890,782 A * 4/1999 Alberts A47B 17/00 312/196
- D421,973 S 3/2000 Jacobson
- D455,755 S 4/2002 Levine et al.



(56)

References Cited

U.S. PATENT DOCUMENTS

D779,237	S	*	2/2017	Schalk	D6/643.1
D824,195	S	*	7/2018	Ezure	D6/714
D840,726	S	*	2/2019	Denby	D6/648.2
D871,120	S	*	12/2019	Schalk	D6/714
D871,782	S	*	1/2020	Simone	A47B 19/08
					D6/332

2018/0087266 A1 3/2018 Hall et al.

* cited by examiner

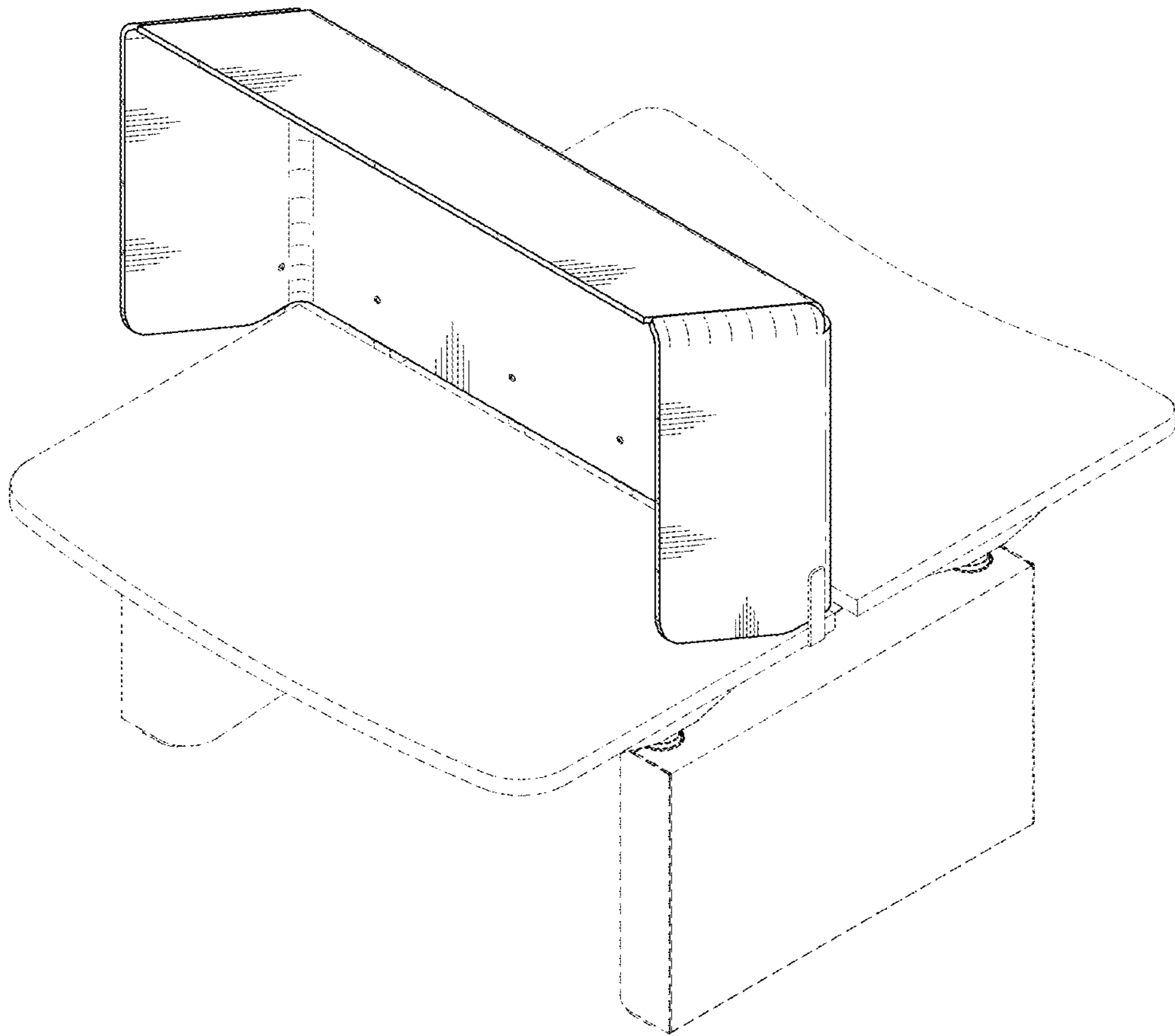


FIG. 1

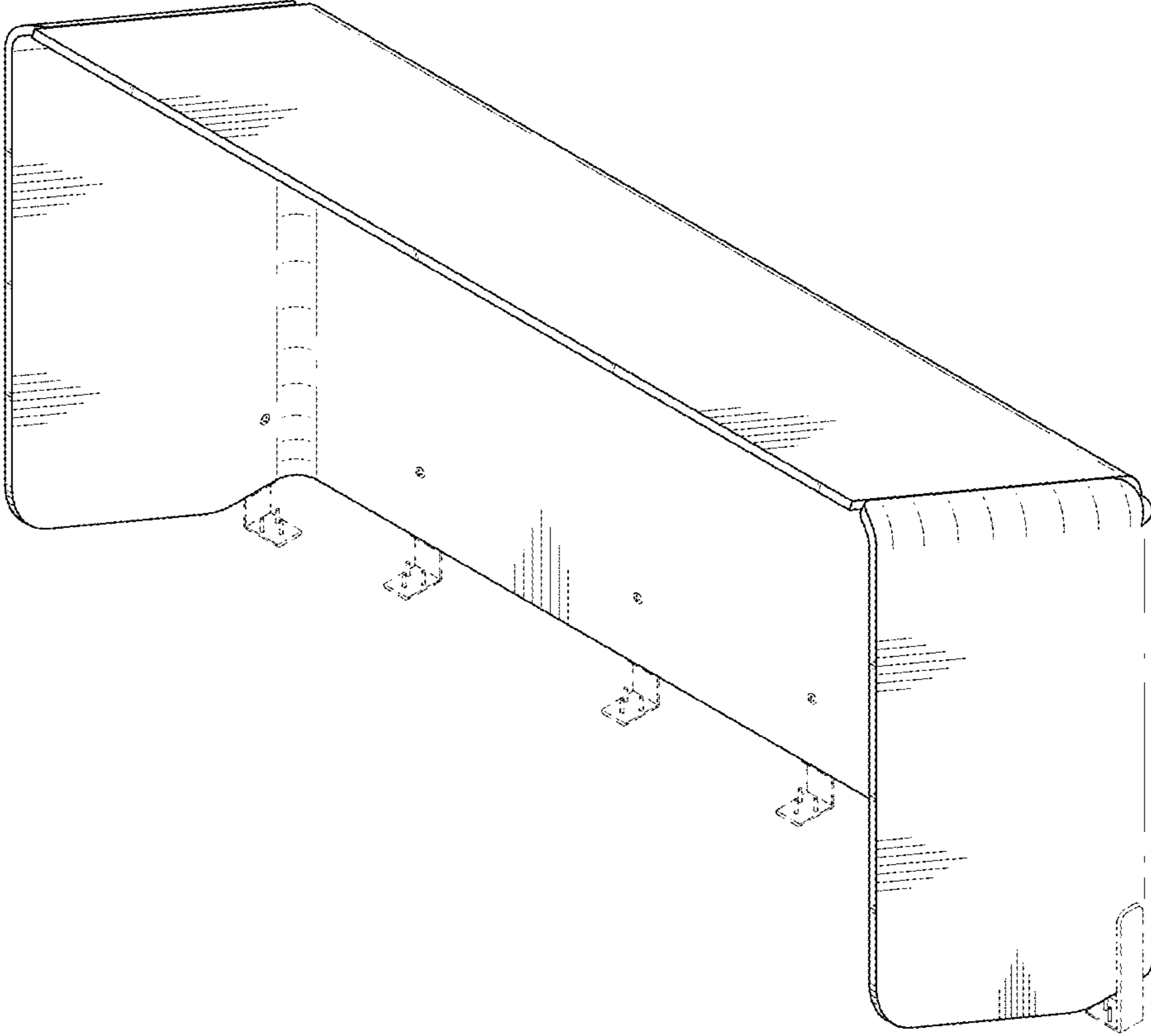


FIG. 2

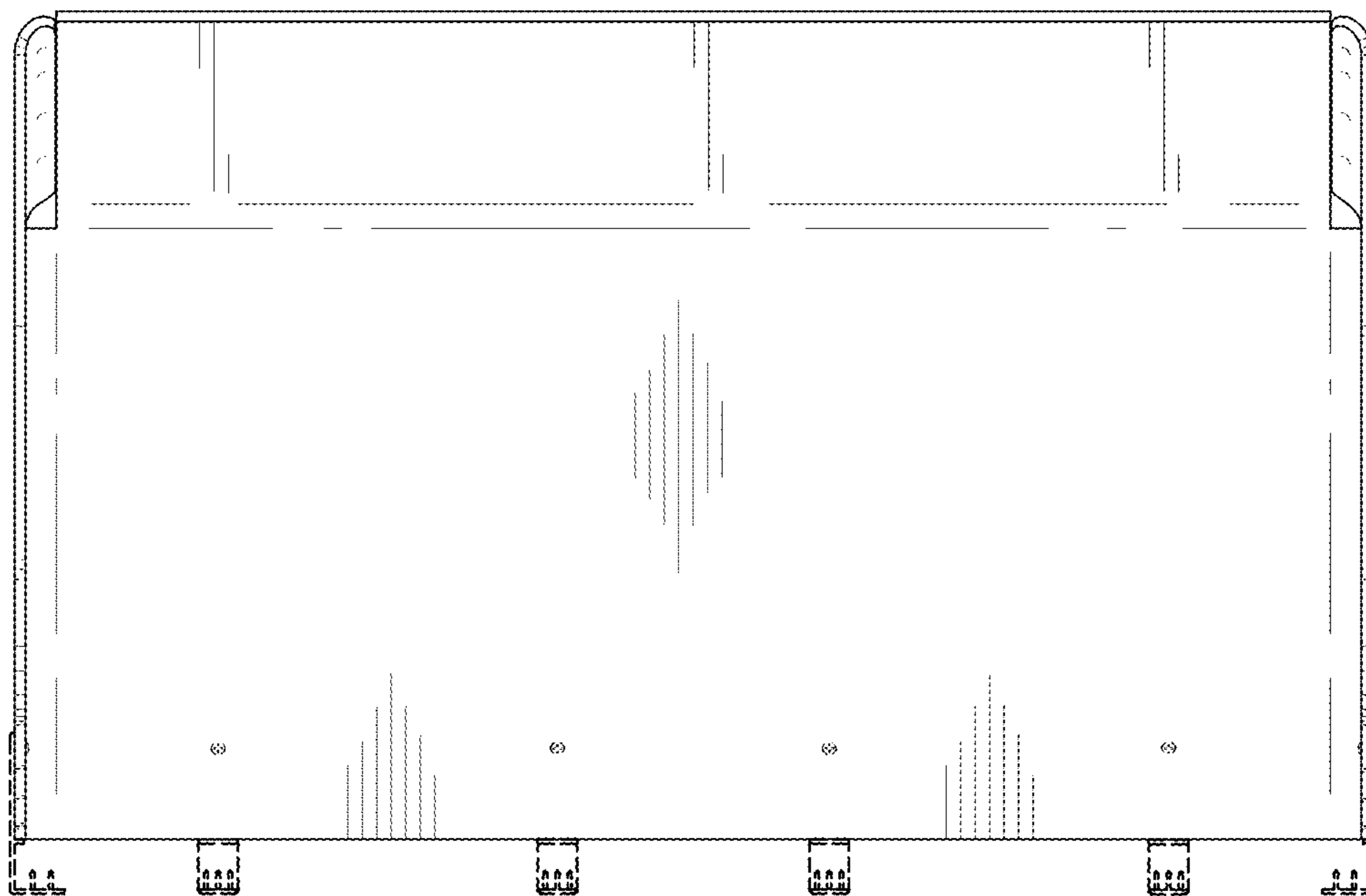


FIG. 3

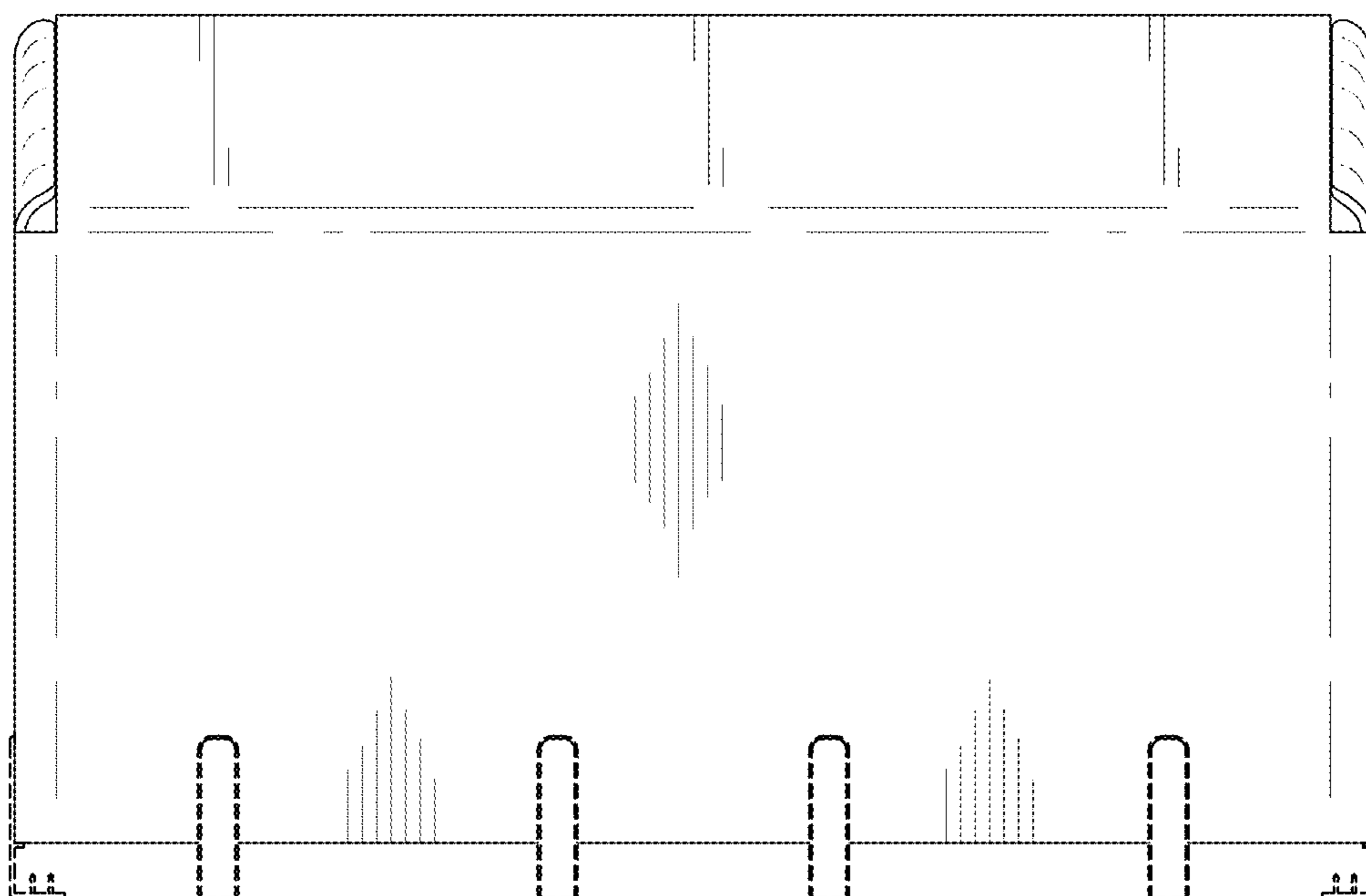


FIG. 4

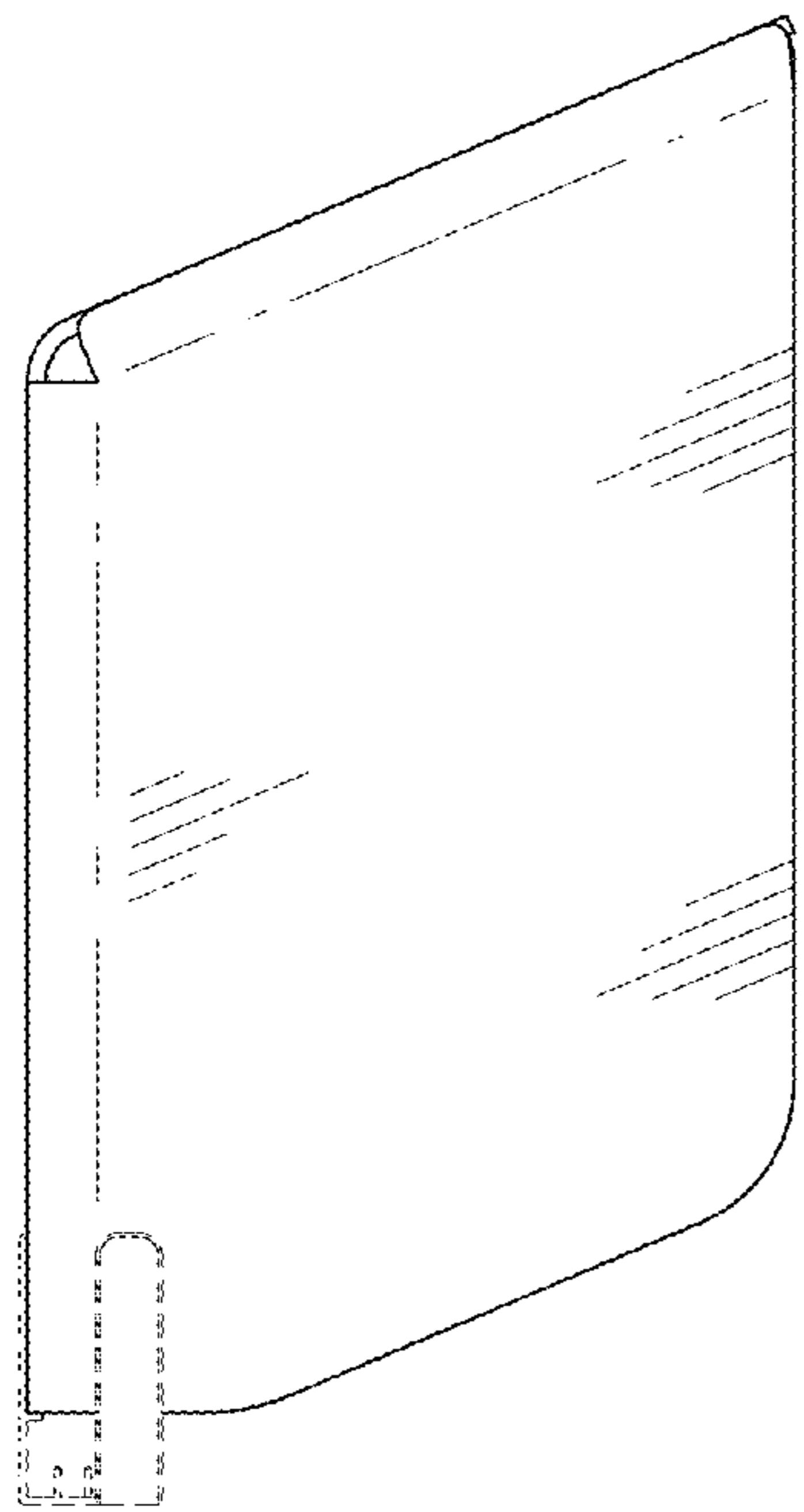


FIG. 5

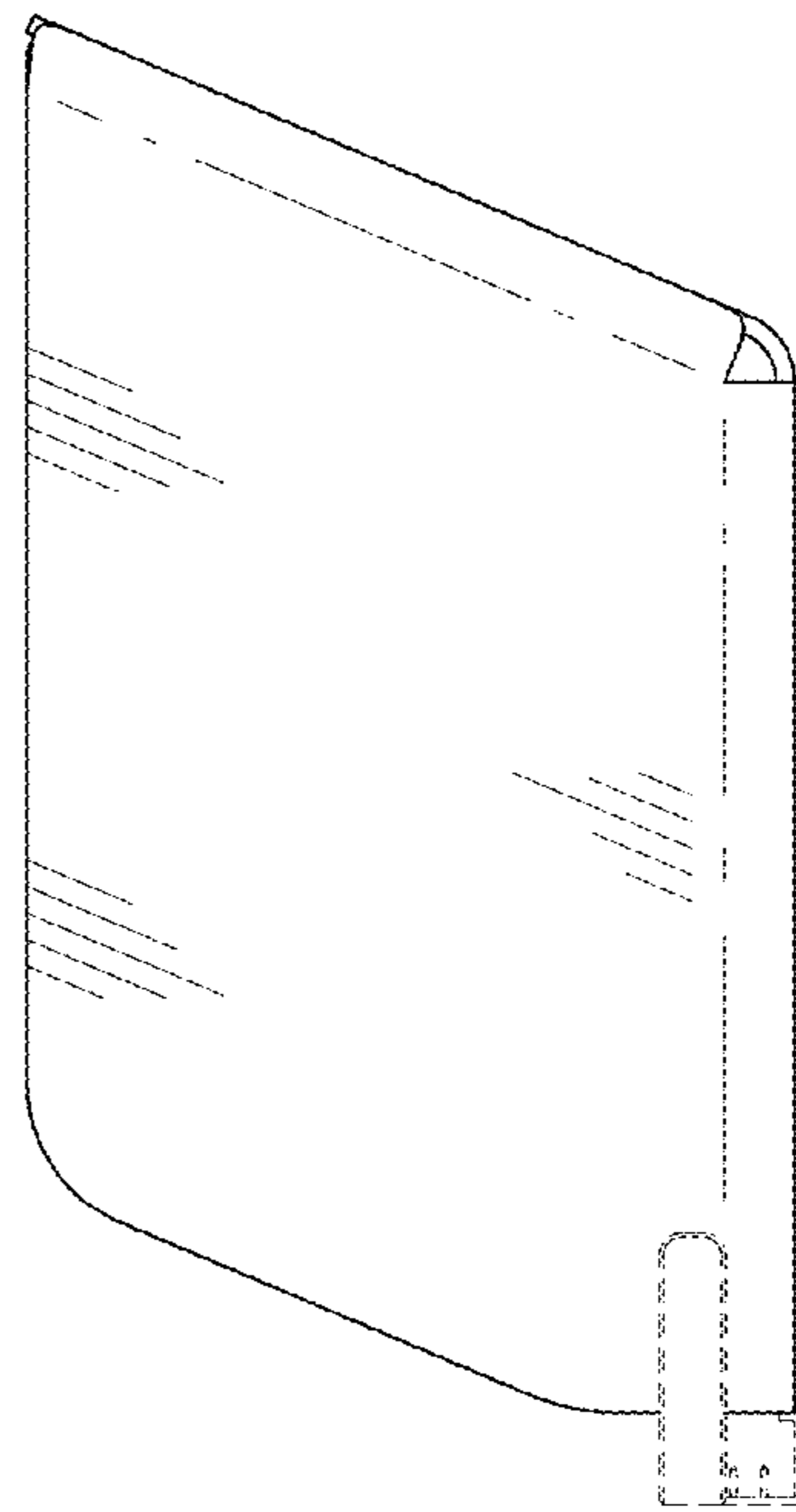


FIG. 6

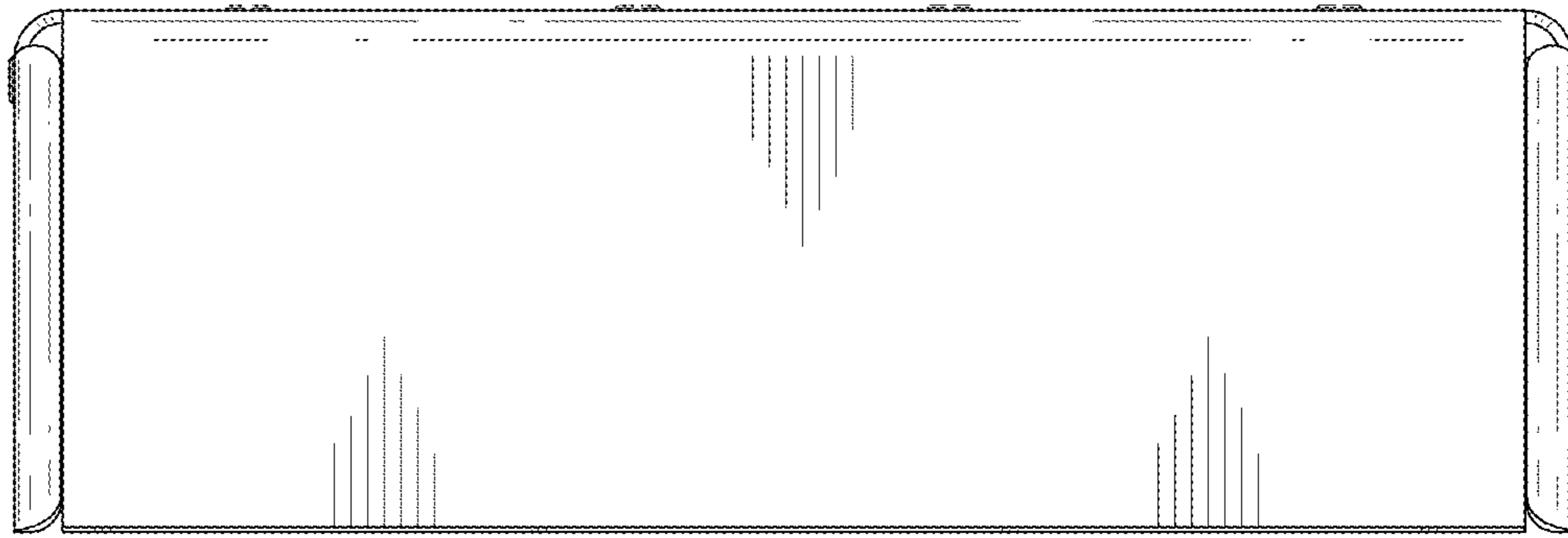


FIG. 7

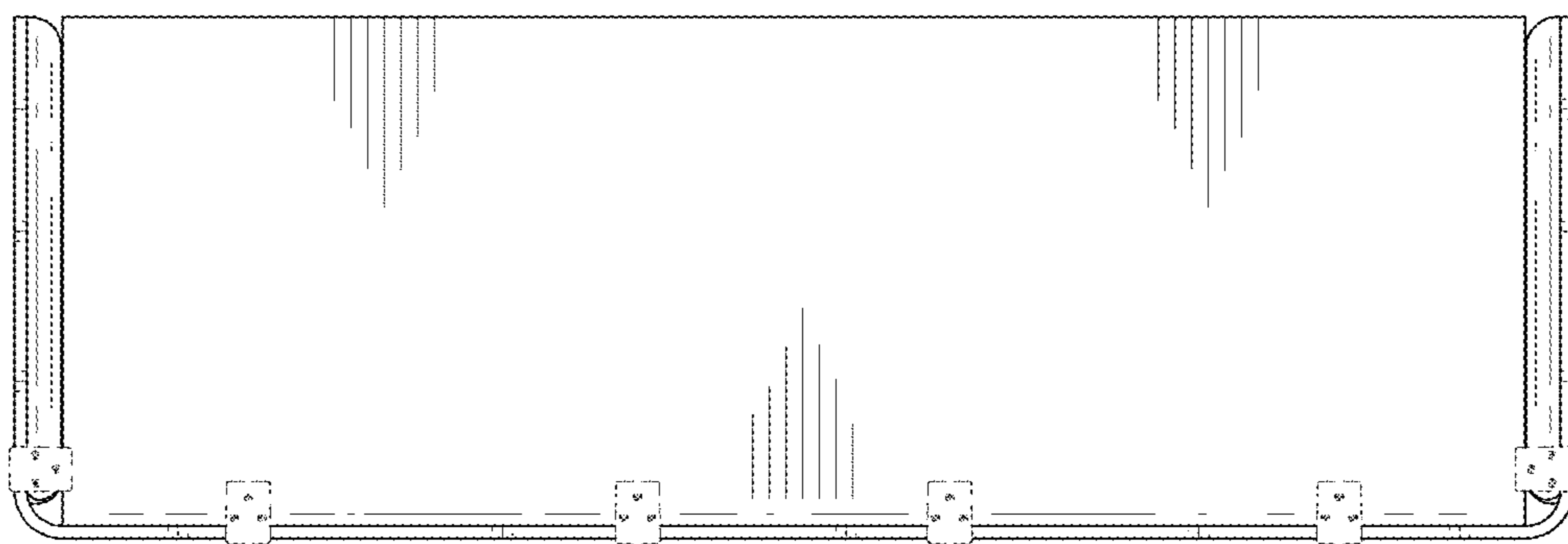


FIG. 8