



US00D911760S

(12) **United States Design Patent**
Godwin

(10) **Patent No.:** **US D911,760 S**
(45) **Date of Patent:** **** *Mar. 2, 2021**

(54) **TABLE**

- (71) Applicant: **Alumni Classroom Furniture Inc.,**
Waterloo (CA)
- (72) Inventor: **Paul Godwin,** Waterloo (CA)
- (73) Assignee: **Alumni Classroom Furniture Inc.,**
Waterloo (CA)
- (*) Notice: This patent is subject to a terminal disclaimer.
- (**) Term: **15 Years**
- (21) Appl. No.: **29/679,761**
- (22) Filed: **Feb. 8, 2019**

Related U.S. Application Data

- (63) Continuation of application No. 29/649,604, filed on May 31, 2018, which is a continuation-in-part of application No. 29/601,114, filed on Apr. 19, 2017, now Pat. No. Des. 834,865.

- (51) **LOC (13) Cl.** **06-06**
- (52) **U.S. Cl.**
USPC **D6/707.22**

(58) **Field of Classification Search**

USPC D6/338, 641, 656, 656.1, 656.13, 656.15, 656.18, 685, 686, 687, 691.1, 691.6, 692.1, 693, 696, 696.1, 696.3, 696.4, 697, 697.1, 697.2, 704, 705.1, 707, 707.21, 707.22, 707.23, 708.24
 CPC A47B 3/00; A47B 7/00; A47B 7/02; A47B 13/00; A47B 13/08; A47B 21/00; A47B 21/02; A47B 41/00; A47B 41/02; A47B 2200/0001; A47B 2200/0003; A47B 2200/0035

See application file for complete search history.

(56) **References Cited**

U.S. PATENT DOCUMENTS

- D148,776 S * 2/1948 Fay D6/644
- D190,998 S * 8/1961 Schultz D6/688
- D280,368 S 9/1985 Crespi

(Continued)

OTHER PUBLICATIONS

Balt Economy Shapes Desk & Essential Chair Package—Quo0007465 | Collaborative Des . . . ; www.worthingtondirect.com/desks/quo0005473-economy-shapes-desk-essential-chair-package-5-desks-5-16-h-chairs.htm; available online at least as early as Dec. 6, 2016.

(Continued)

Primary Examiner — Mary Ann Calabrese

Assistant Examiner — Catherine Ho

(74) *Attorney, Agent, or Firm* — Blake, Cassels & Graydon LLP; Laurie Wright; Christopher N Hunter

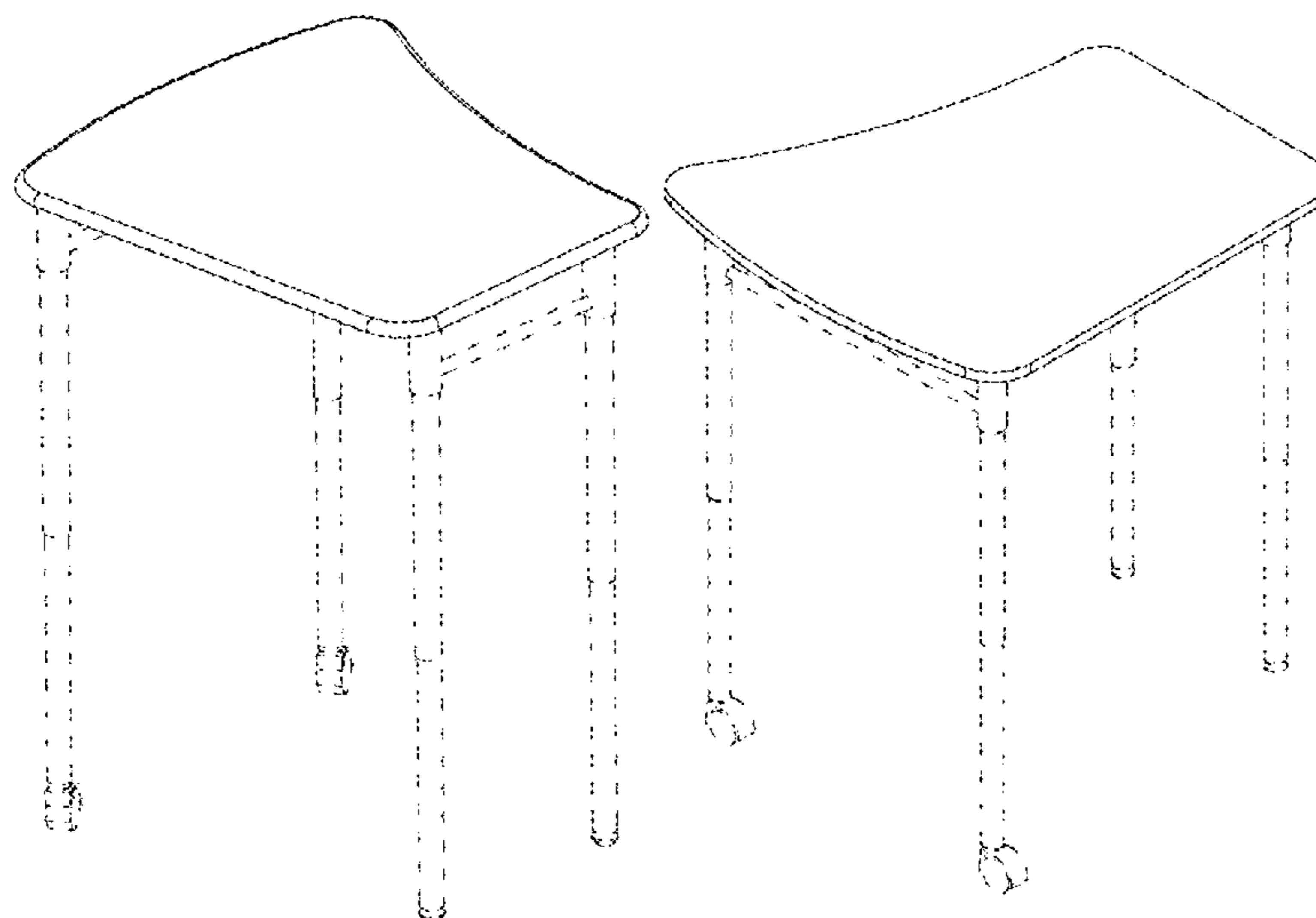
(57) **CLAIM**

The ornamental design of a table, as shown and described.

DESCRIPTION

FIG. 1 is a front perspective view of the first embodiment of a table;
 FIG. 2 is a top view thereof;
 FIG. 3 is a bottom view thereof;
 FIG. 4 is a side view thereof;
 FIG. 5 is an end view thereof;
 FIG. 6 is a top perspective view thereof;
 FIG. 7 is front perspective view of the second embodiment of a table;
 FIG. 8 is a top view thereof;
 FIG. 9 is a bottom view thereof;
 FIG. 10 is a side view thereof;
 FIG. 11 is an end view thereof; and,
 FIG. 12 is a top perspective view thereof.
 The broken line portions of the figures are included to show portions of the article that form no part of the claimed design.

1 Claim, 12 Drawing Sheets



(56)

References Cited

U.S. PATENT DOCUMENTS

D332,536 S * 1/1993 Hosoe D6/693.1
 5,438,937 A 8/1995 Ball et al.
 D373,270 S * 9/1996 Alexander D6/696.3
 D413,212 S 8/1999 Dame et al.
 D414,634 S 10/1999 Smith et al.
 D415,375 S 10/1999 McCrackin et al.
 D440,798 S * 4/2001 Kuhlman D6/707.22
 6,382,109 B1 * 5/2002 Novikoff A47B 87/002
 108/65
 D523,663 S * 6/2006 Risdall D6/650
 D588,671 S 3/2009 Ball et al.
 D590,644 S * 4/2009 Derocher D6/707.22
 D594,682 S 6/2009 Burak
 D672,163 S * 12/2012 Wells D6/406.3
 D703,984 S 5/2014 Nasser et al.
 8,776,699 B2 7/2014 Nasser et al.
 D725,950 S * 4/2015 Retzlaff D6/707.22
 D736,021 S 8/2015 Legare
 D749,347 S * 2/2016 Stubbs D6/707.22
 D770,207 S 11/2016 Legare
 D774,338 S 12/2016 Legare
 D776,473 S * 1/2017 Fletcher D6/707.22
 D780,487 S * 3/2017 Brown D6/656.13

D810,485 S * 2/2018 Teller D6/707.23
 D834,865 S * 12/2018 Godwin D6/707.22
 D839,648 S * 2/2019 Legare D6/707
 D859,895 S * 9/2019 Haase D6/707.22
 D860,698 S * 9/2019 Godwin D6/707.22
 2013/0129405 A1 5/2013 Everett

OTHER PUBLICATIONS

Flow Desk, hosted at Web.archive.org, posted on May 22, 2016, online, site visited Oct. 19, 2017. Available from <https://web.archive.org/web/20160522144817/http://www.alumni.cf.com/ecommerce/desks/flow/Flow-Desk.htm>.

Shapes Desk w/ White Dry Erase Top, hosted at Web.archive.org, posted on Mar. 30, 2015, online, site visited Oct. 19, 2017. Available from <https://web.archive.org/web/20150330053539/http://www.worthingtondirect.com/desks/shapes-desk-w-white-dry-erase-top-by-balt.htm>.

Shapes Desk by Balt, hosted at Web.archive.org, posted on Aug. 29, 2014, online, site visited Oct. 19, 2017. Available from <https://web.archive.org/web/20140829061931/http://www.worthingtondirect.com/desks/shapes-desk.htm>.

* cited by examiner

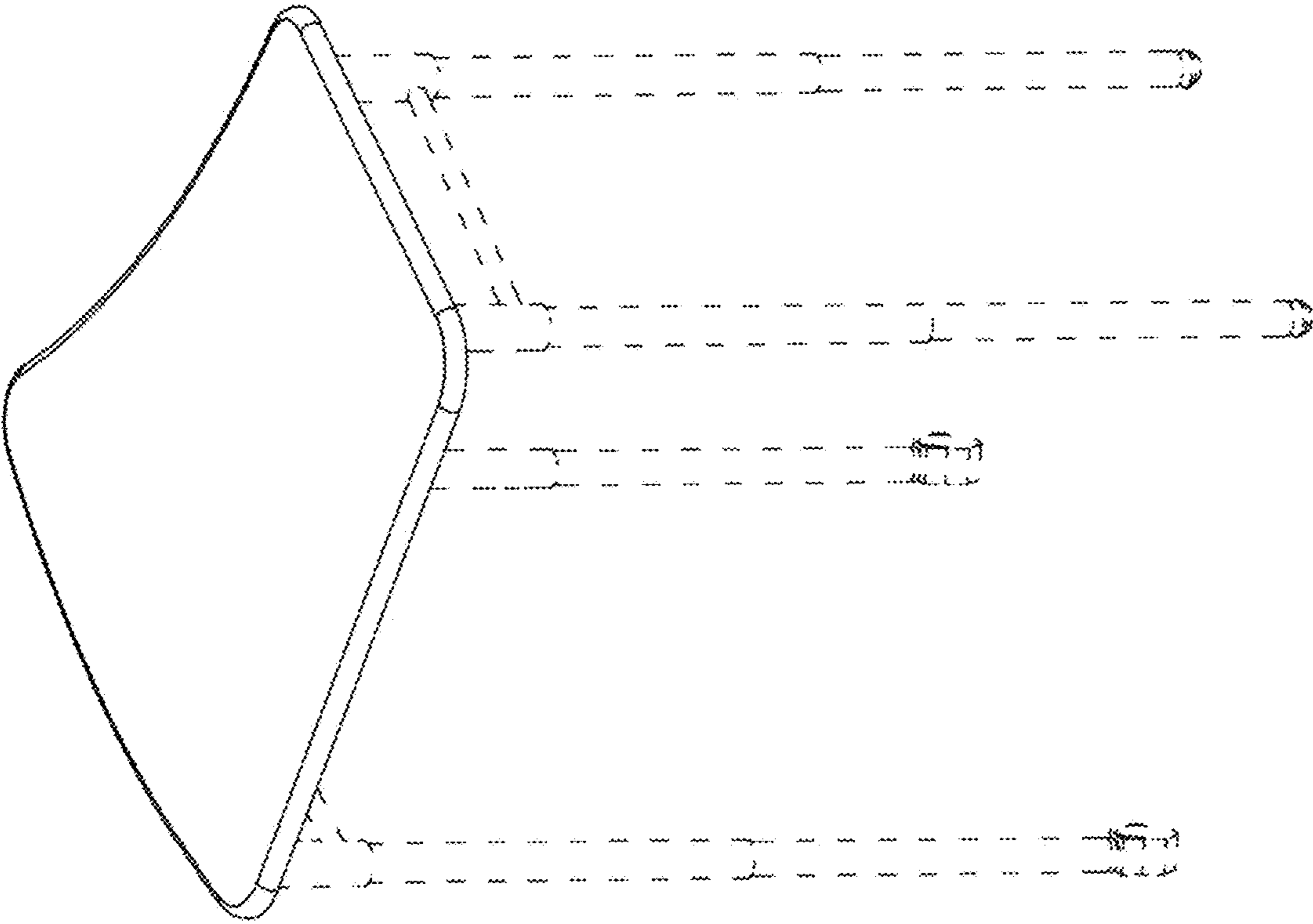


Figure 1

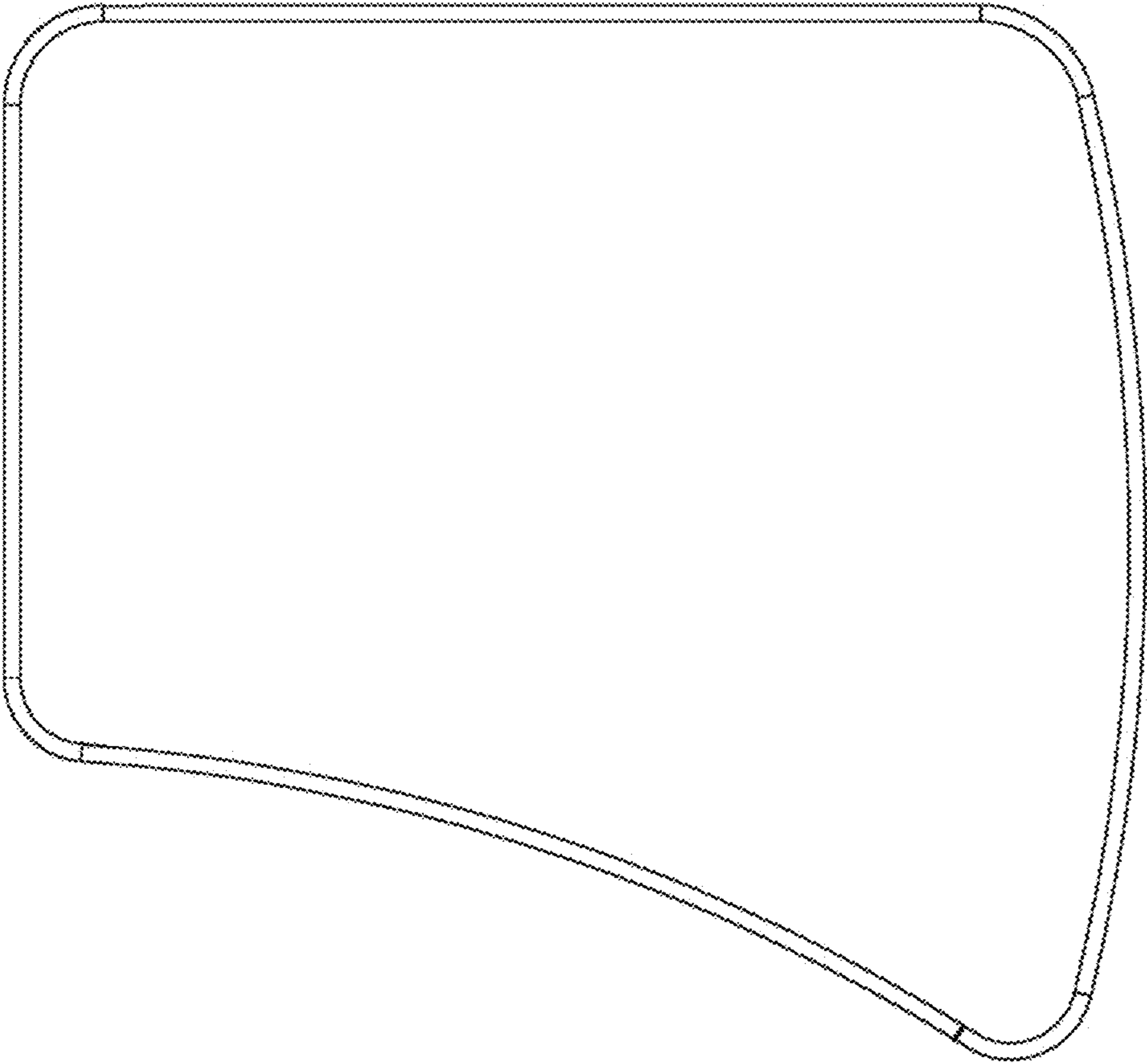


Figure 2

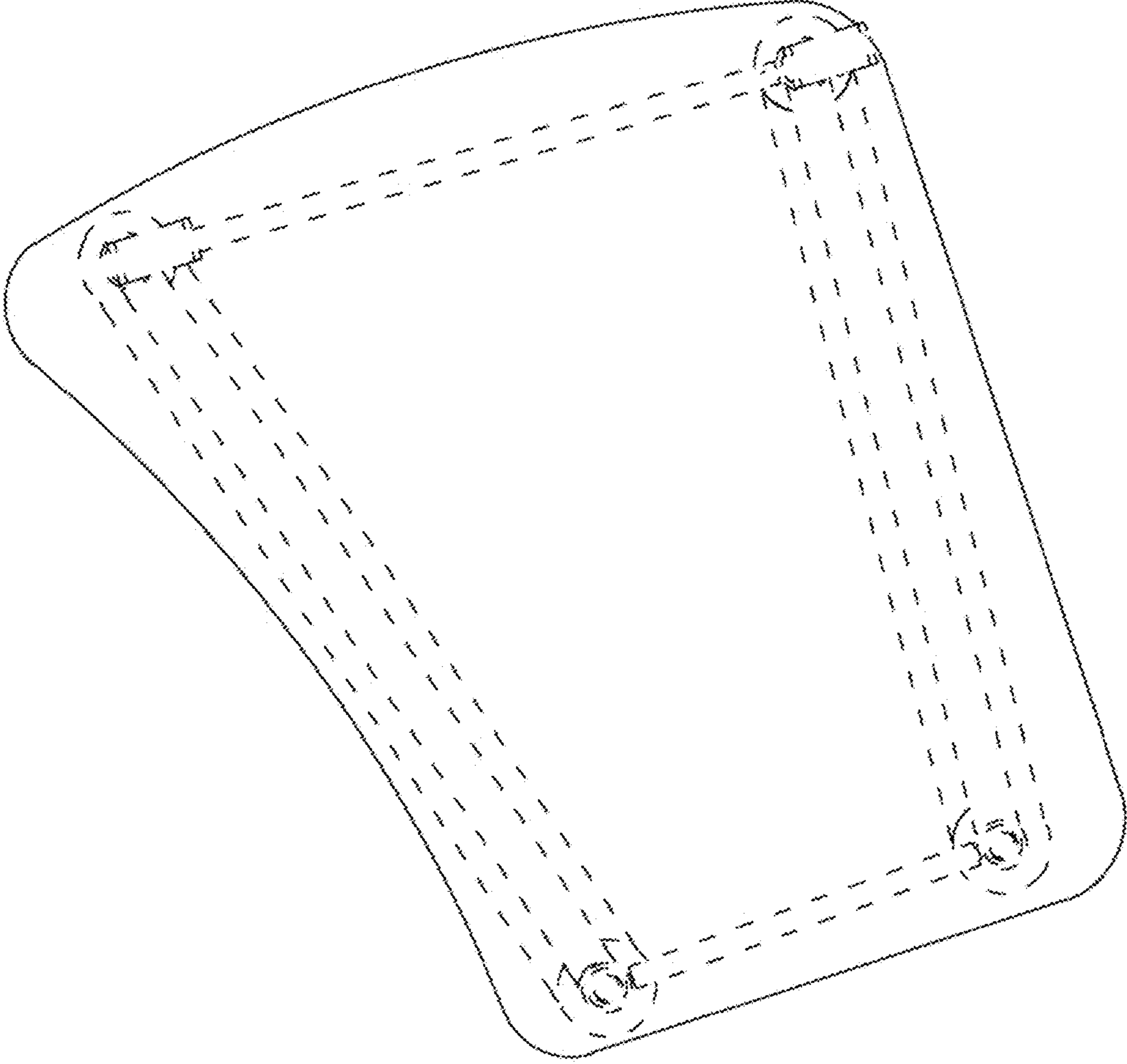


Figure 3

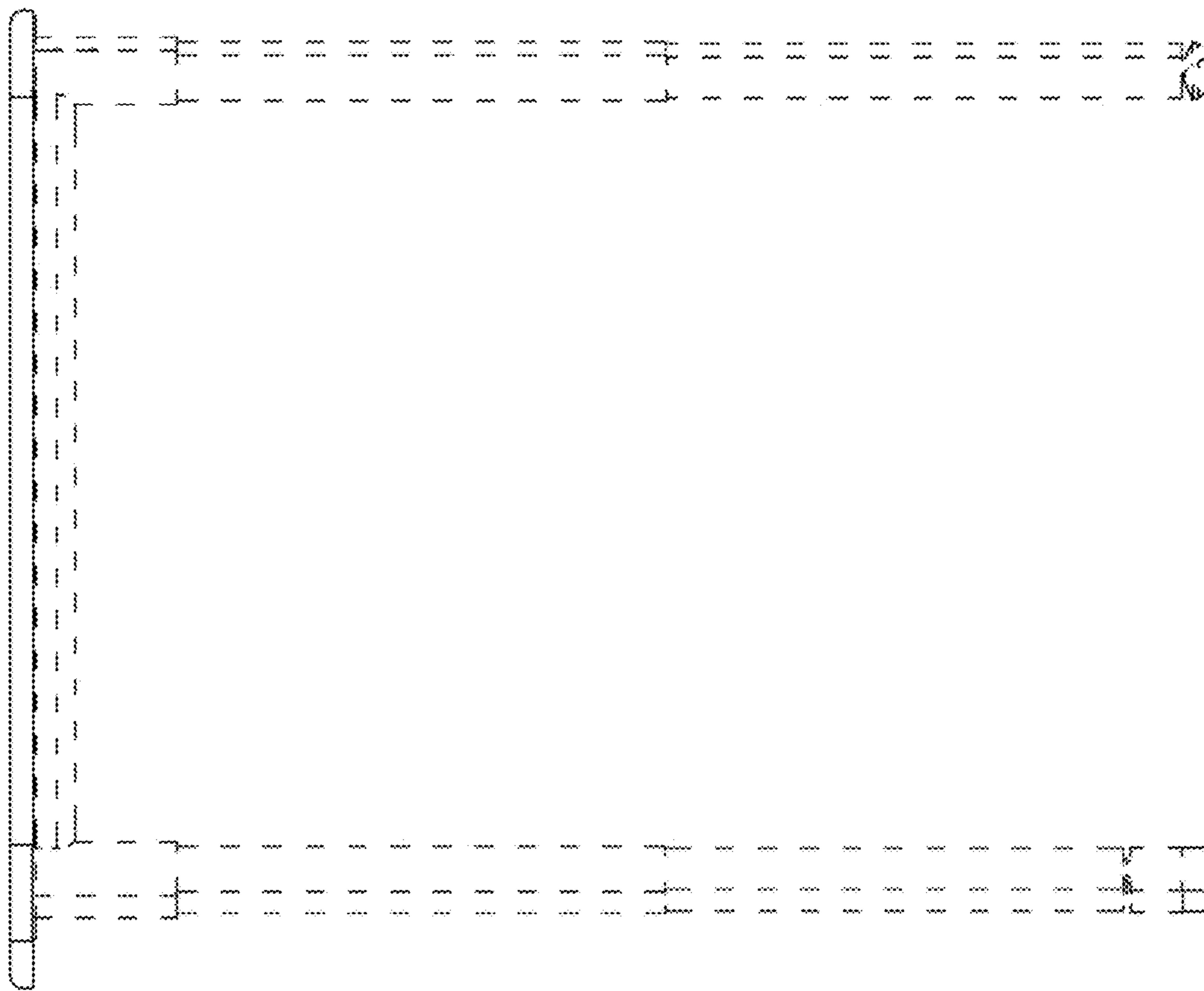


Figure 4

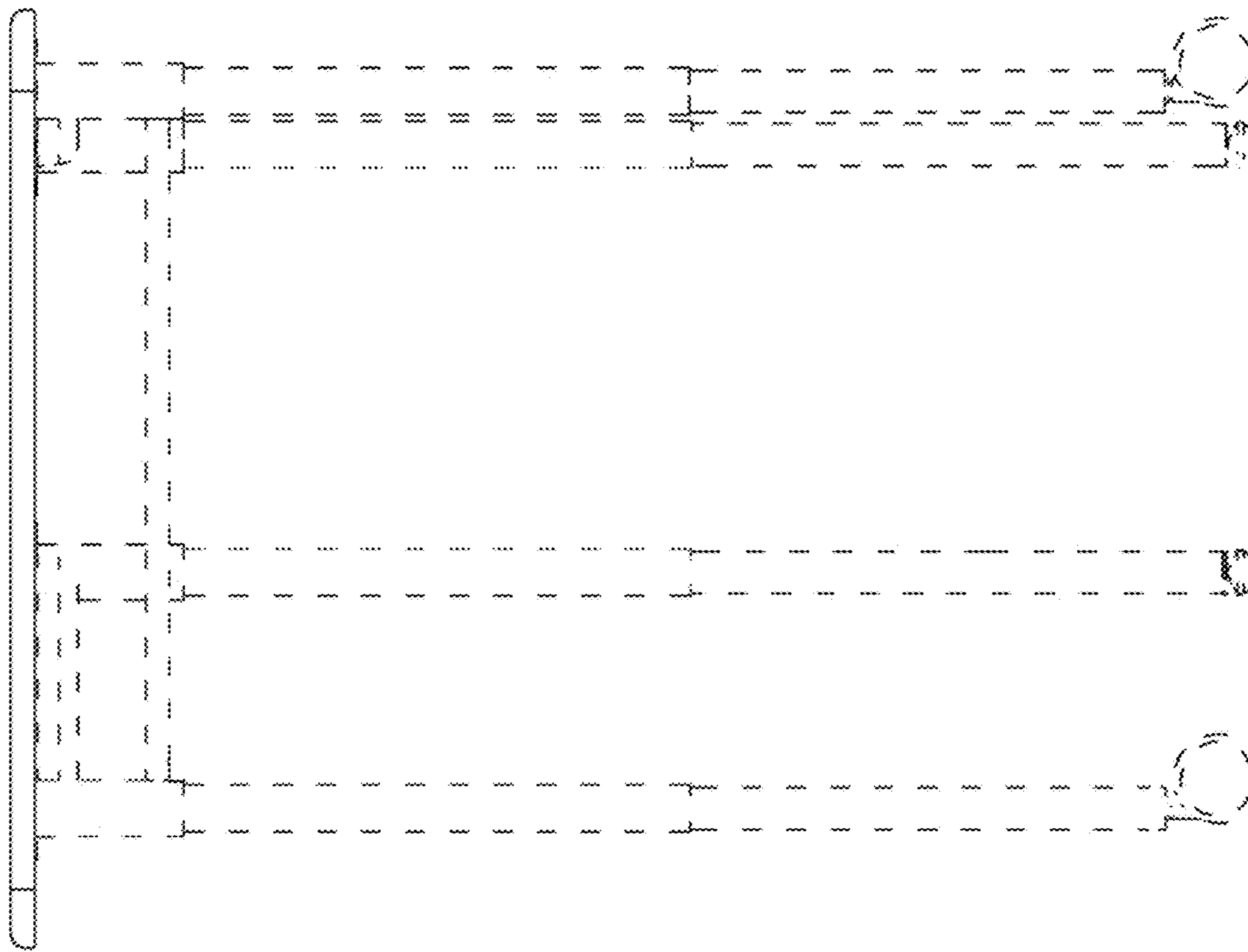


Figure 5

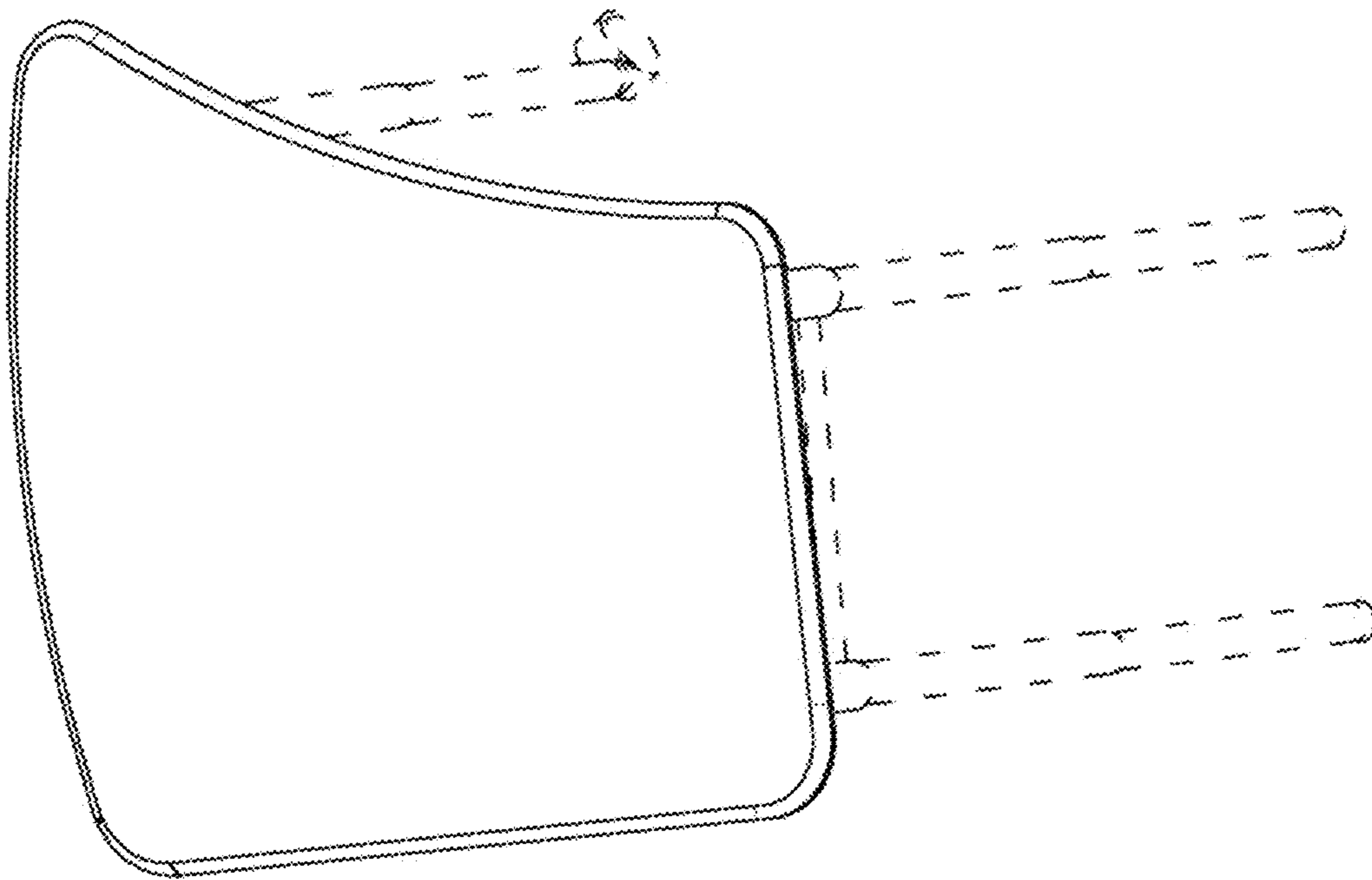


Figure 6

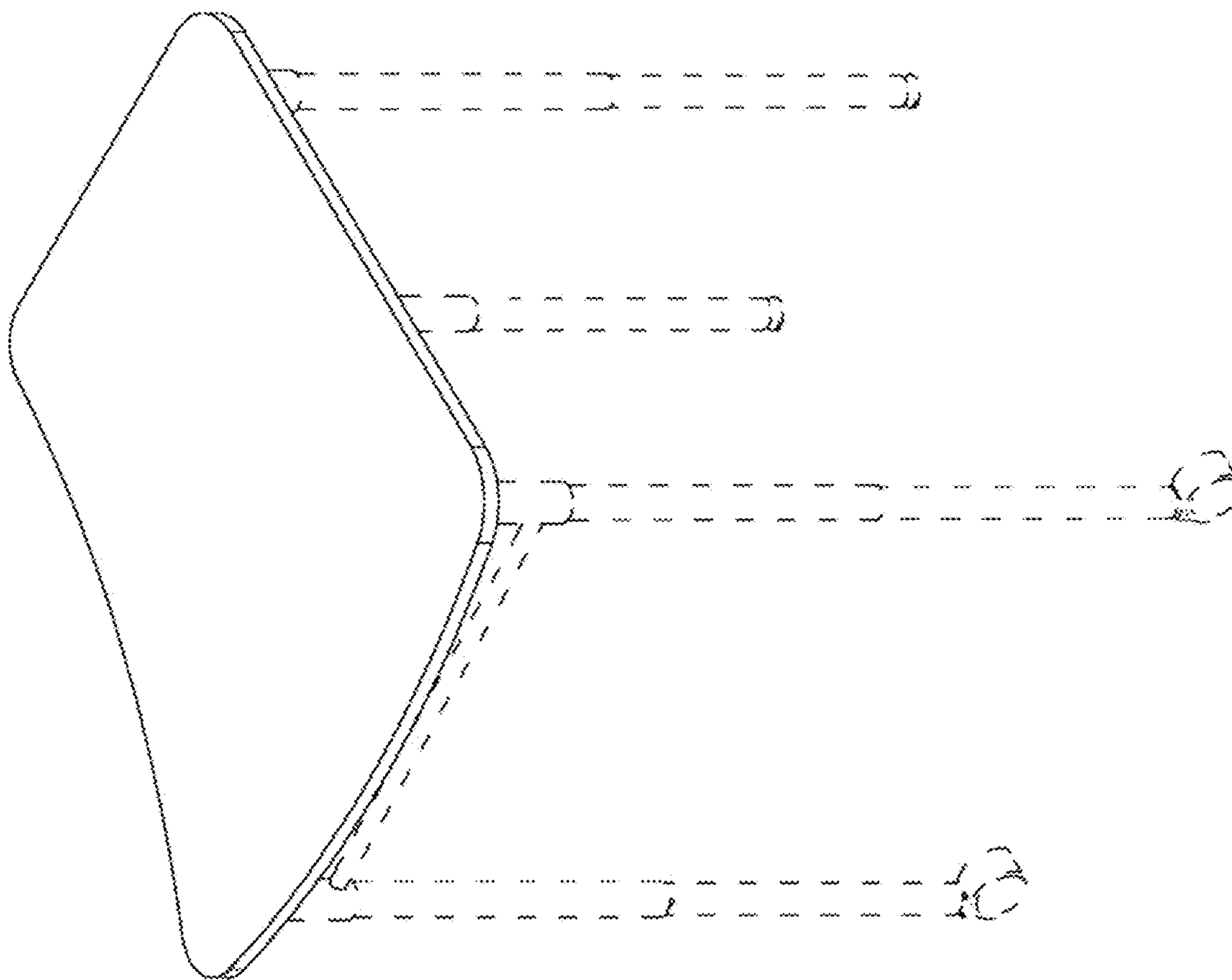


Figure 7

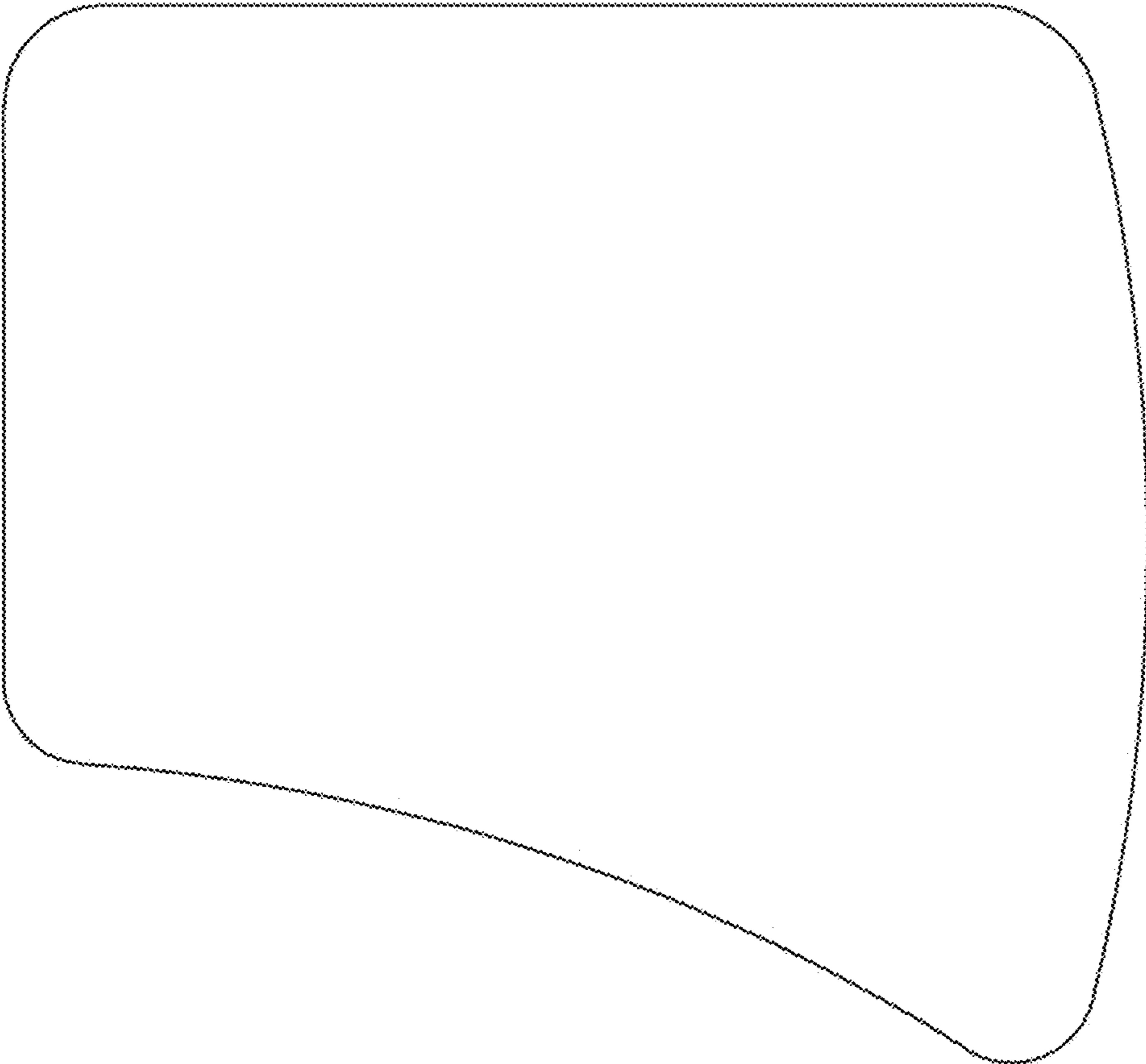


Figure 8

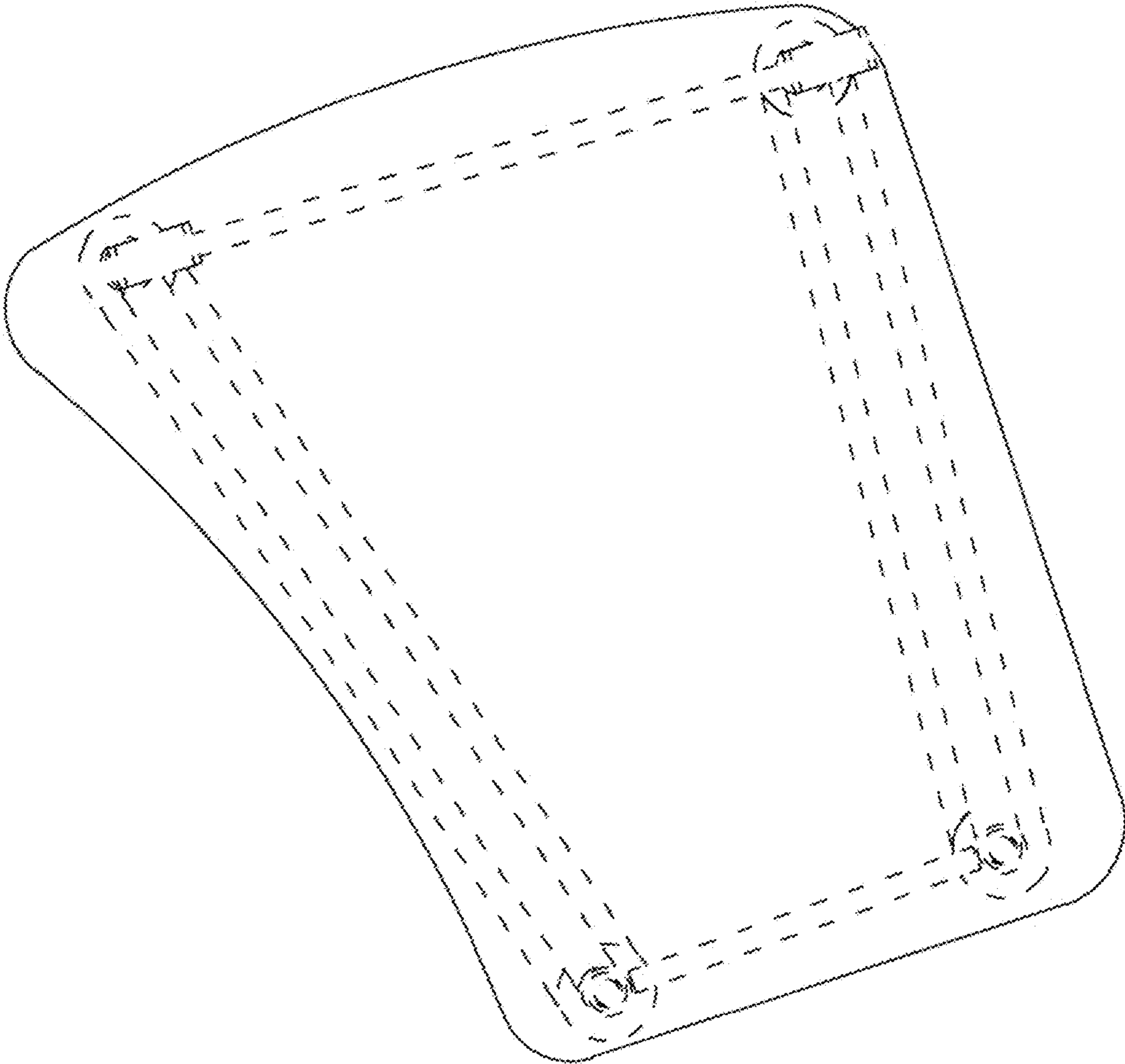


Figure 9

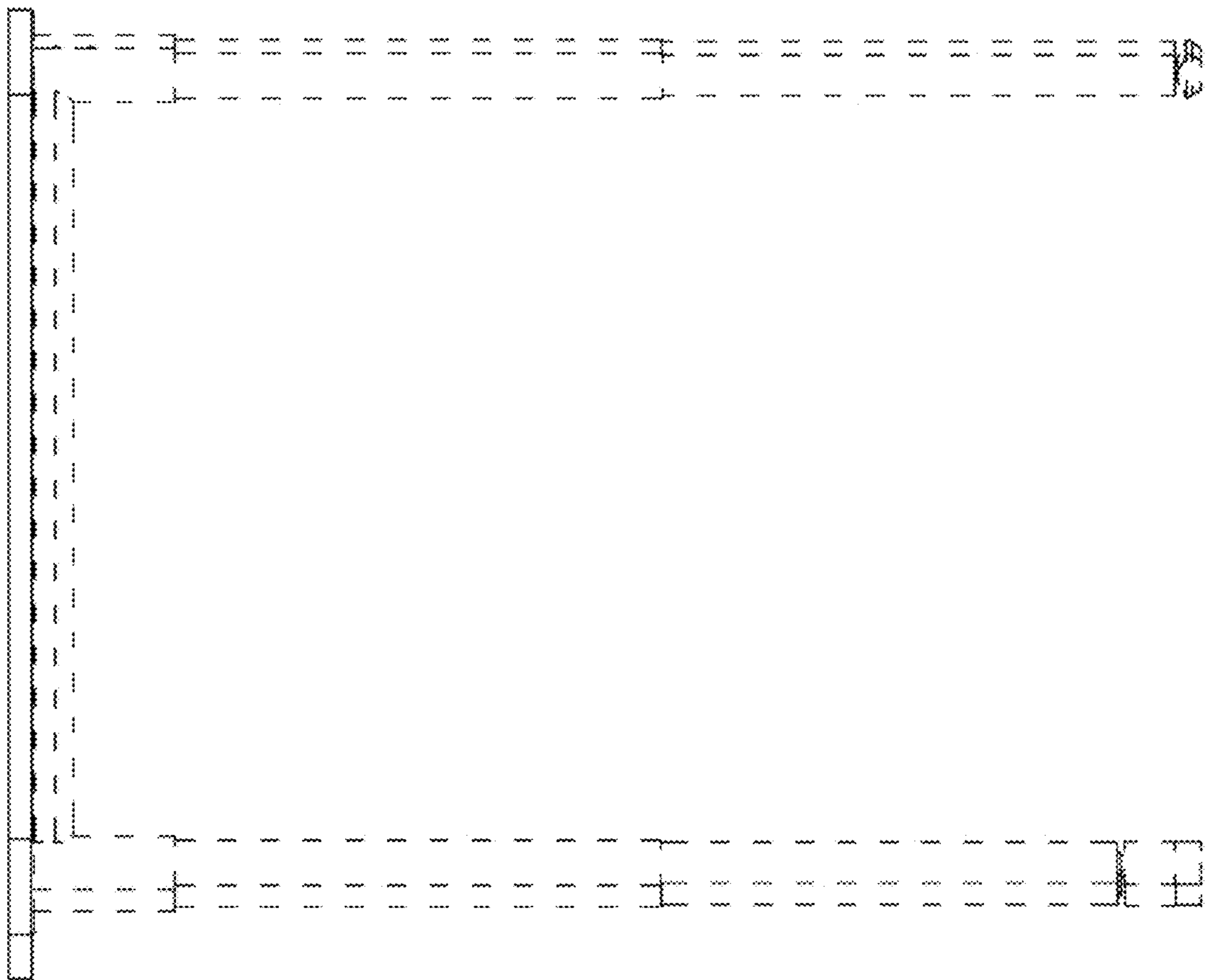


Figure 10

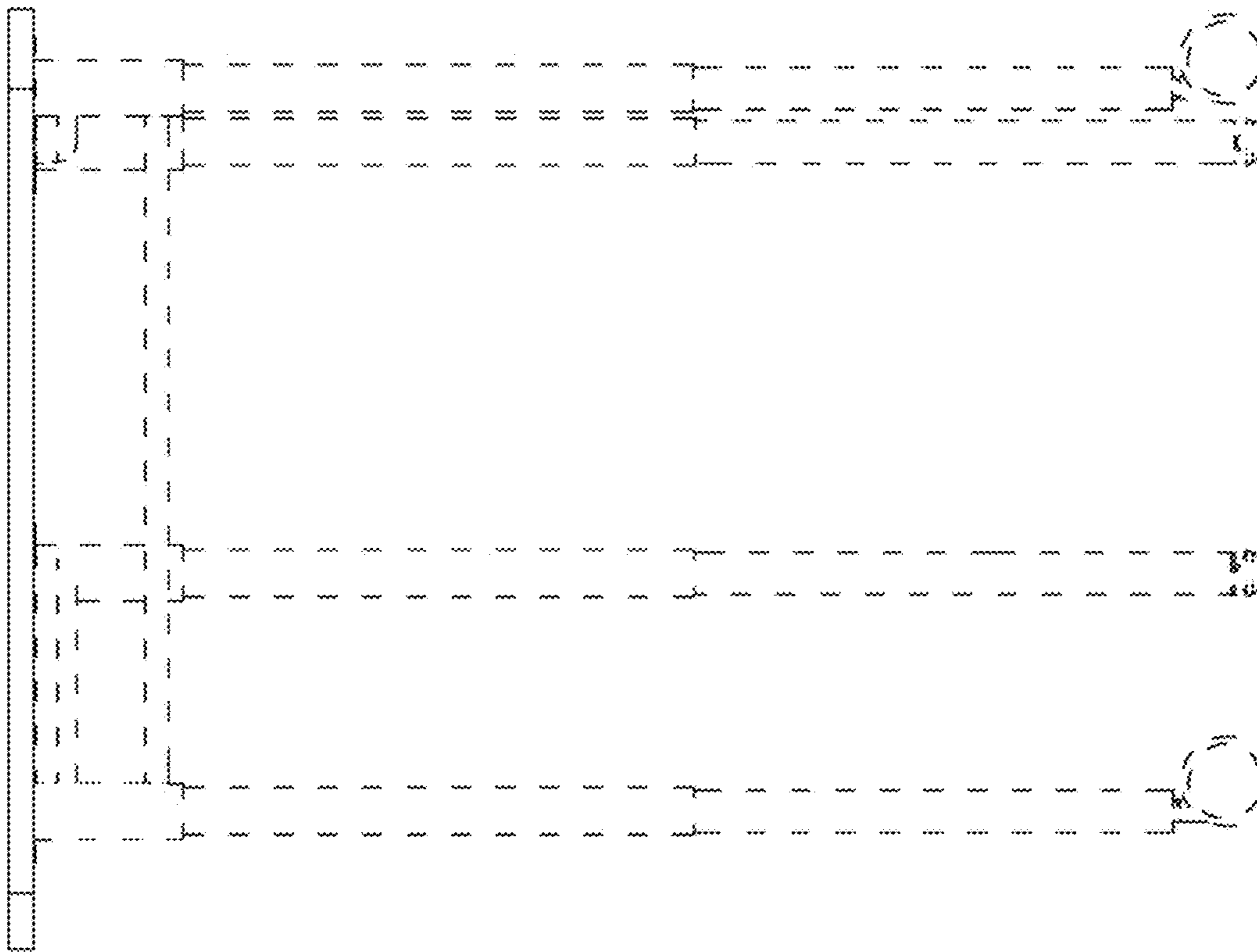


Figure 11

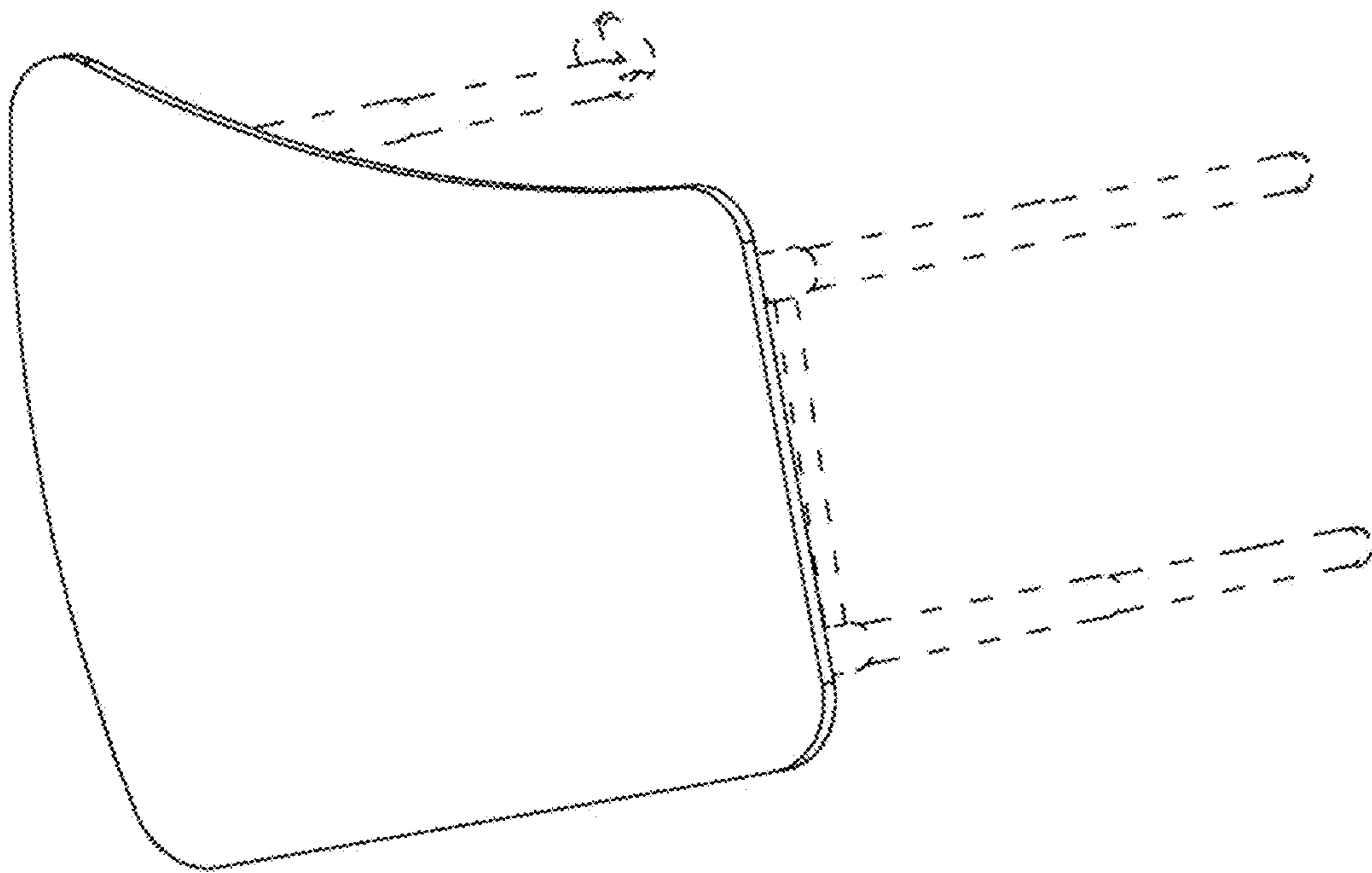


Figure 12